



nida **Griesti**

PAŠNESOŠIE GRIESTI

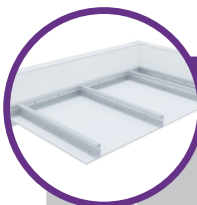
Pašnesošo griestu sistēma ir novatorisks risinājums, kas balstās uz sienu profilu Nida C un profilu Nida UAR konstrukciju bez nepieciešamības pa vidu izmantot stropes. Visur tur, kur telpā zem griestiem tiek izmantots liels instalācijas ierīču skaits vai stropju specifika neļauj izmantot enkurošanu, izmantojam Nida Griestu tehnoloģijas inovatīvo pašnesošo griestu sistēmu.

Papildus griestu konstrukcijas estētiskajai nosešanas funkcijai pašnesošie griesti pilda arī akustiskās un ugunsdrošības barjeras uzdevumu, izmantojot specializētās Nida Uguns Plus, Nida Cietās vai Nida Klusās plāksnes.

Ja apdare jāveido mitrās un slapjās telpās, vienmēr izmantojam Nida Hydro plāksnes. Montētāji ievērojuši vienkāršo pašnesošo griestu uzstādīšanas veidu, tādēļ šī sistēma tiek diezgan bieži izmantota.

Visi Nida pašnesošo griestu risinājumi (bez iekāršanas) ir rūpīgi pārbaudīti Celtniecības tehnikas institūtā, tādēļ to lietošana ir ļoti droša.

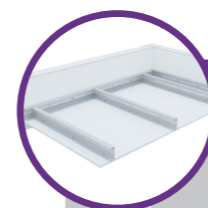
nida Griesti PAŠNESOŠIE GRIESTI



Lappuse	Sistēmas tips Nida Griesti	Režģa konstrukcija				Ģipša plākšņu apšuvums		Minimālais piekāršanas augstums [mm]	Būves svars 1 m ² [kg]	Ugunsizturības klase ¹⁾ [min.]	Maksimālais griestu apdares platums ²⁾ [mm]	Īpašā sistēma
		Nida nesošā profila tips	Nida nesošā perimetra profila tips	Nida konstrukcijas perimetra profila tips	Maksimālais Nida C50 nesošo profilu atstatums [mm]	Nida	Biezums					
PAŠNESOŠO GRIESTU SISTĒMA AR NIDA C50/U50 PROFILIEM												
596	C50/U50/500-12,5/Expert	C50	U50	U50	500	Expert	12,5	72,5	10,0	-	2720	-
596	C50/U50/500-12,5/Ūdens	C50	U50	U50	500	Ūdens	12,5	72,5	11,0	-	2220	-
596	C50/U50/500-12,5/Uguns+	C50	U50	U50	500	Uguns Pluss	12,5	72,5	12,0	(R)EI15	2220	-
596	C50/U50/500-12,5/ŪdensUguns+	C50	U50	U50	500	Ūdens Uguns Pluss	12,5	72,5	12,0	(R)EI15	2220	-
596	C50/U50/500-12,5/Cietā	C50	U50	U50	500	Cietā	12,5	72,5	15,0	(R)EI15	2220	●
596	C50/U50/500-12,5/Hydro	C50	U50	U50	500	Hydro	12,5	72,5	13,0	(R)EI15	2220	●
596	C50/U50/500-15/Uguns+	C50	U50	U50	500	Uguns Pluss	15,0	75	15,0	(R)EI15	2220	-
596	C50/U50/500-15/Cietā	C50	U50	U50	500	Cietā	15,0	75	17,0	(R)EI15	1920	●
596	C50/U50/500-15/Hydro	C50	U50	U50	500	Hydro	15,0	75	15,0	(R)EI15	2220	●
596	C50/U50/500-18/Uguns+	C50	U50	U50	500	Uguns Pluss	18,0	78	16,0	(R)EI30	1920	-
598	C50/U50/500-25/Expert	C50	U50	U50	500	Expert	2x12,5	85	18,0	-	1740	-
598	C50/U50/500-25/Ūdens	C50	U50	U50	500	Ūdens	2x12,5	85	20,0	-	1740	-
598	C50/U50/500-25/Uguns+	C50	U50	U50	500	Uguns Pluss	2x12,5	85	22,0	(R)EI45	1560	-
598	C50/U50/500-25/ŪdensUguns+	C50	U50	U50	500	Ūdens Uguns Pluss	2x12,5	85	22,0	(R)EI45	1560	-
598	C50/U50/500-25/Cietā	C50	U50	U50	500	Cietā	2x12,5	85	28,0	(R)EI45	1420	●
598	C50/U50/500-25/Hydro	C50	U50	U50	500	Hydro	2x12,5	85	24,0	(R)EI45	1560	●
598	C50/U50/500-30/Uguns+	C50	U50	U50	500	Uguns Pluss	2x15,0	90	29,0	(R)EI60	1420	-
598	C50/U50/500-30/Cietā	C50	U50	U50	500	Cietā	2x15,0	90	33,0	(R)EI60	1320	●
598	C50/U50/500-30/Hydro	C50	U50	U50	500	Hydro	2x15,0	90	29,0	(R)EI60	1420	●
600	C50/U50/500-37,5/Uguns+	C50	U50	U50	500	Uguns Pluss	3x12,5	97,5	33,0	(R)EI60	1320	-
600	C50/U50/500-37,5/ŪdensUguns+	C50	U50	U50	500	Ūdens Uguns Pluss	3x12,5	97,5	33,0	(R)EI60	1320	-
600	C50/U50/500-37,5/Cietā	C50	U50	U50	500	Cietā	3x12,5	97,5	41,0	(R)EI60	1160	●
600	C50/U50/500-37,5/Hydro	C50	U50	U50	500	Hydro	3x12,5	97,5	35,0	(R)EI60	1320	●
600	C50/U50/500-40/Uguns+	C50	U50	U50	500	Uguns Pluss	2x12,5+15,0	100	36,0	(R)EI90	1230	-
600	C50/U50/500-40/Cietā	C50	U50	U50	500	Cietā	2x12,5+15,0	100	44,0	(R)EI90	1160	●
600	C50/U50/500-40/Hydro	C50	U50	U50	500	Hydro	2x12,5+15,0	100	38,0	(R)EI90	1230	●
600	C50/U50/500-60/Uguns+	C50	U50	U50	500	Uguns Pluss	4x15,0	120	57,0	(R)EI120	1010	-
600	C50/U50/500-60/Cietā	C50	U50	U50	500	Cietā	4x15,0	120	64,0	(R)EI120	970	●
600	C50/U50/500-60/Hydro	C50	U50	U50	500	Hydro	4x15,0	120	57,0	(R)EI120	1010	●

1) Ugunsdrošības klasifikācija LBO-458-K/17.

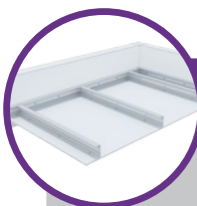
2) Tehniskais atzinums ITB 1060/12/R33NK.



Lappuse	Sistēmas tips Nida Griesti	Režģa konstrukcija				Ģipša plākšņu apšuvums		Minimālais piekāršanas augstums [mm]	Būves svars 1 m ² [kg]	Ugunsizturības klase ¹⁾ [min.]	Maksimālais griestu apdares platums ²⁾ [mm]	Īpašā sistēma
		Nida nesošā profila tips	Nida nesošā perimetra profila tips	Nida konstrukcijas perimetra profila tips	Maksimālais Nida C75 nesošo profilu atstatums [mm]	Nida	Biezums					
PAŠNESOŠO GRIESTU SISTĒMA AR NIDA C75/U75 PROFILIEM												
602	C75/U75/500-12,5/Expert	C75	U75	U75	500	Expert	12,5	97,5	10,0	-	2840	-
602	C75/U75/500-12,5/Ūdens	C75	U75	U75	500	Ūdens	12,5	97,5	11,0	-	2320	-
602	C75/U75/500-12,5/Uguns+	C75	U75	U75	500	Uguns Pluss	12,5	97,5	12,0	(R)EI15	2320	-
602	C75/U75/500-12,5/ŪdensUguns+	C75	U75	U75	500	Ūdens Uguns Pluss	12,5	97,5	12,0	(R)EI15	2320	-
602	C75/U75/500-12,5/Cietā	C75	U75	U75	500	Cietā	12,5	97,5	15,0	(R)EI15	2320	●
602	C75/U75/500-12,5/Hydro	C75	U75	U75	500	Hydro	12,5	97,5	13,0	(R)EI15	2320	●
602	C75/U75/500-15/Uguns+	C75	U75	U75	500	Uguns Pluss	15,0	100	16,0	(R)EI15	2000	-
602	C75/U75/500-15/Cietā	C75	U75	U75	500	Cietā	15,0	100	18,0	(R)EI15	2000	●
602	C75/U75/500-15/Hydro	C75	U75	U75	500	Hydro	15,0	100	16,0	(R)EI15	2000	●
602	C75/U75/500-18/Uguns+	C75	U75	U75	500	Uguns Pluss	18,0	103	16,0	(R)EI30	2000	-
604	C75/U75/500-25/Expert	C75	U75	U75	500	Expert	2x12,5	110	19,0	-	2210	-
604	C75/U75/500-25/Ūdens	C75	U75	U75	500	Ūdens	2x12,5	110	20,0	-	2210	-
604	C75/U75/500-25/Uguns+	C75	U75	U75	500	Uguns Pluss	2x12,5	110	23,0	(R)EI45	1980	-
604	C75/U75/500-25/ŪdensUguns+	C75	U75	U75	500	Ūdens Uguns Pluss	2x12,5	110	23,0	(R)EI45	1980	-
604	C75/U75/500-25/Cietā	C75	U75	U75	500	Cietā	2x12,5	110	28,0	(R)EI45	1810	●
604	C75/U75/500-25/Hydro	C75	U75	U75	500	Hydro	2x12,5	110	24,0	(R)EI45	1980	●
604	C75/U75/500-30/Uguns+	C75	U75	U75	500	Uguns Pluss	2x15,0	115	30,0	(R)EI60	1810	-
604	C75/U75/500-30/Cietā	C75	U75	U75	500	Cietā	2x15,0	115	33,0	(R)EI60	1670	●
604	C75/U75/500-30/Hydro	C75	U75	U75	500	Hydro	2x15,0	115	30,0	(R)EI60	1810	●
606	C75/U75/500-37,5/Uguns+	C75	U75	U75	500	Uguns Pluss	3x12,5	122,5	33,0	(R)EI60	1670	-
606	C75/U75/500-37,5/ŪdensUguns+	C75	U75	U75	500	Ūdens Uguns Pluss	3x12,5	122,5	33,0	(R)EI60	1670	-
606	C75/U75/500-37,5/Cietā	C75	U75	U75	500	Cietā	3x12,5	122,5	42,0	(R)EI60	1480	●
606	C75/U75/500-37,5/Hydro	C75	U75	U75	500	Hydro	3x12,5	122,5	35,0	(R)EI60	1670	●
606	C75/U75/500-40/Uguns+	C75	U75	U75	500	Uguns Pluss	2x12,5+15,0	125	36,0	(R)EI90	1570	-
606	C75/U75/500-40/Cietā	C75	U75	U75	500	Cietā	2x12,5+15,0	125	44,0	(R)EI90	1480	●
606	C75/U75/500-40/Hydro	C75	U75	U75	500	Hydro	2x12,5+15,0	125	38,0	(R)EI90	1570	●
606	C75/U75/500-60/Uguns+	C75	U75	U75	500	Uguns Pluss	4x15,0	145	57,0	(R)EI120	1280	-
606	C75/U75/500-60/Cietā	C75	U75	U75	500	Cietā	4x15,0	145	65,0	(R)EI120	1230	●
606	C75/U75/500-60/Hydro	C75	U75	U75	500	Hydro	4x15,0	145	57,0	(R)EI120	1280	●

1) Ugunsdrošības klasifikācija LBO-458-K/17.

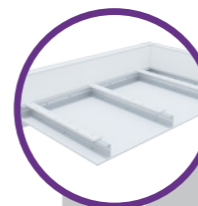
2) Tehniskais atzinums ITB 1060/12/R33NK.



Lappuse	Sistēmas tips Nida Griesti	Režģa konstrukcija				Ģipša plākšņu apšuvums		Minimālais piekāršanas augstums	Būves svars 1 m ²	Ugunsizturības klase ¹⁾	Maksimālais griestu apdares platums ²⁾	Īpašā sistēma
		Nida nesošā profila tips	Nida nesošā perimetra profila tips	Nida konstrukcijas perimetra profila tips	Maksimālais Nida C100 nesošo profilu atstatums [mm]	Nida	Biezums					
PAŠNESOŠO GRIESTU SISTĒMA AR NIDA C100/U100 PROFILIEM												
608	C100/U100/500-12,5/Expert	C100	U100	U100	500	Expert	12,5	122,5	10,0	-	3400	-
608	C100/U100/500-12,5/Ūdens	C100	U100	U100	500	Ūdens	12,5	122,5	11,0	-	2780	-
608	C100/U100/500-12,5/Uguns+	C100	U100	U100	500	Uguns Pluss	12,5	122,5	12,0	(R)EI15	2780	-
608	C100/U100/500-12,5/ŪdensUguns+	C100	U100	U100	500	Ūdens Uguns Pluss	12,5	122,5	12,0	(R)EI15	2780	-
608	C100/U100/500-12,5/Cietā	C100	U100	U100	500	Cietā	12,5	122,5	15,0	(R)EI15	2780	●
608	C100/U100/500-12,5/Hydro	C100	U100	U100	500	Hydro	12,5	122,5	13,0	(R)EI15	2780	●
608	C100/U100/500-15/Uguns+	C100	U100	U100	500	Uguns Pluss	15,0	125	16,0	(R)EI15	2410	-
608	C100/U100/500-15/Cietā	C100	U100	U100	500	Cietā	15,0	125	18,0	(R)EI15	2410	●
608	C100/U100/500-15/Hydro	C100	U100	U100	500	Hydro	15,0	125	16,0	(R)EI15	2410	●
608	C100/U100/500-18/Uguns+	C100	U100	U100	500	Uguns Pluss	18,0	128	17,0	(R)EI30	2410	-
610	C100/U100/500-25/Expert	C100	U100	U100	500	Expert	2x12,5	135	19,0	-	2420	-
610	C100/U100/500-25/Ūdens	C100	U100	U100	500	Ūdens	2x12,5	135	20,0	-	2420	-
610	C100/U100/500-25/Uguns+	C100	U100	U100	500	Uguns Pluss	2x12,5	135	23,0	(R)EI45	2170	-
610	C100/U100/500-25/ŪdensUguns+	C100	U100	U100	500	Ūdens Uguns Pluss	2x12,5	135	23,0	(R)EI45	2170	-
610	C100/U100/500-25/Cietā	C100	U100	U100	500	Cietā	2x12,5	135	28,0	(R)EI45	1980	●
610	C100/U100/500-25/Hydro	C100	U100	U100	500	Hydro	2x12,5	135	24,0	(R)EI45	2170	●
610	C100/U100/500-30/Uguns+	C100	U100	U100	500	Uguns Pluss	2x15,0	140	30,0	(R)EI60	1980	-
610	C100/U100/500-30/Cietā	C100	U100	U100	500	Cietā	2x15,0	140	34,0	(R)EI60	1830	●
610	C100/U100/500-30/Hydro	C100	U100	U100	500	Hydro	2x15,0	140	30,0	(R)EI60	1980	●
612	C100/U100/500-37,5/Uguns+	C100	U100	U100	500	Uguns Pluss	3x12,5	147,5	33,0	(R)EI60	1830	-
612	C100/U100/500-37,5/ŪdensUguns+	C100	U100	U100	500	Ūdens Uguns Pluss	3x12,5	147,5	33,0	(R)EI60	1830	-
612	C100/U100/500-37,5/Cietā	C100	U100	U100	500	Cietā	3x12,5	147,5	41,0	(R)EI60	1610	●
612	C100/U100/500-37,5/Hydro	C100	U100	U100	500	Hydro	3x12,5	147,5	35,0	(R)EI60	1830	●
612	C100/U100/500-40/Uguns+	C100	U100	U100	500	Uguns Pluss	2x12,5+15,0	150	37,0	(R)EI90	1710	-
612	C100/U100/500-40/Cietā	C100	U100	U100	500	Cietā	2x12,5+15,0	150	44,0	(R)EI90	1610	●
612	C100/U100/500-40/Hydro	C100	U100	U100	500	Hydro	2x12,5+15,0	150	38,0	(R)EI90	1710	●
612	C100/U100/500-60/Uguns+	C100	U100	U100	500	Uguns Pluss	4x15,0	170	57,0	(R)EI120	1400	-
612	C100/U100/500-60/Cietā	C100	U100	U100	500	Cietā	4x15,0	170	65,0	(R)EI120	1340	●
612	C100/U100/500-60/Hydro	C100	U100	U100	500	Hydro	4x15,0	170	57,0	(R)EI120	1400	●

¹⁾ Ugunsdrošības klasifikācija LBO-458-K/17.

²⁾ Tehniskais atzinums ITB 1060/12/R33NK.



Lappuse	Sistēmas tips Nida Griesti	Režģa konstrukcija				Ģipša plākšņu apšuvums		Minimālais piekāršanas augstums	Būves svars 1 m ²	Ugunsizturības klase ¹⁾	Maksimālais griestu apdares platums ²⁾	Īpašā sistēma
		Nida nesošā profila tips	Nida nesošā perimetra profila tips	Nida konstrukcijas perimetra profila tips	Maksimālais Nida C50 nesošo profilu atstatums [mm]	Nida	Biezums					
PAŠNESOŠO GRIESTU SISTĒMA AR NIDA C50/U50/PD PROFILIEM												
614	C50/U50/PD/500-12,5/Expert	C50	U50	U50	500	Expert	12,5	72,5	12,0	-	2530	-
614	C50/U50/PD/500-12,5/Ūdens	C50	U50	U50	500	Ūdens	12,5	72,5	13,0	-	2530	-
614	C50/U50/PD/500-12,5/Uguns+	C50	U50	U50	500	Uguns Pluss	12,5	72,5	15,0	(R)EI15	2530	-
614	C50/U50/PD/500-12,5/ŪdensUguns+	C50	U50	U50	500	Ūdens Uguns Pluss	12,5	72,5	15,0	(R)EI15	2530	-
614	C50/U50/PD/500-12,5/Cietā	C50	U50	U50	500	Cietā	12,5	72,5	19,0	(R)EI15	2190	●
614	C50/U50/PD/500-12,5/Hydro	C50	U50	U50	500	Hydro	12,5	72,5	16,0	(R)EI15	2190	●
614	C50/U50/PD/500-15/Uguns+	C50	U50	U50	500	Uguns Pluss	15,0	75	19,0	(R)EI15	2190	-
614	C50/U50/PD/500-15/Cietā	C50	U50	U50	500	Cietā	15,0	75	22,0	(R)EI15	1960	●
614	C50/U50/PD/500-15/Hydro	C50	U50	U50	500	Hydro	15,0	75	19,0	(R)EI15	2190	●
614	C50/U50/PD/500-18/Uguns+	C50	U50	U50	500	Uguns Pluss	18,0	78	20,0	(R)EI30	2190	-
616	C50/U50/PD/500-25/Expert	C50	U50	U50	500	Expert	2x12,5	85	21,0	-	2030	-
616	C50/U50/PD/500-25/Ūdens	C50	U50	U50	500	Ūdens	2x12,5	85	22,0	-	2030	-
616	C50/U50/PD/500-25/Uguns+	C50	U50	U50	500	Uguns Pluss	2x12,5	85	25,0	(R)EI45	2030	-
616	C50/U50/PD/500-25/ŪdensUguns+	C50	U50	U50	500	Ūdens Uguns Pluss	2x12,5	85	25,0	(R)EI45	2030	-
616	C50/U50/PD/500-25/Cietā	C50	U50	U50	500	Cietā	2x12,5	85	32,0	(R)EI45	1710	●
616	C50/U50/PD/500-25/Hydro	C50	U50	U50	500	Hydro	2x12,5	85	27,0	(R)EI45	1850	●
616	C50/U50/PD/500-30/Uguns+	C50	U50	U50	500	Uguns Pluss	2x15,0	90	33,0	(R)EI60	1710	-
616	C50/U50/PD/500-30/Cietā	C50	U50	U50	500	Cietā	2x15,0	90	38,0	(R)EI60	1600	●
616	C50/U50/PD/500-30/Hydro	C50	U50	U50	500	Hydro	2x15,0	90	33,0	(R)EI60	1710	●
618	C50/U50/PD/500-37,5/Uguns+	C50	U50	U50	500	Uguns Pluss	3x12,5	97,5	36,0	(R)EI60	1600	-
618	C50/U50/PD/500-37,5/ŪdensUguns+	C50	U50	U50	500	Ūdens Uguns Pluss	3x12,5	97,5	36,0	(R)EI60	1600	-
618	C50/U50/PD/500-37,5/Cietā	C50	U50	U50	500	Cietā	3x12,5	97,5	45,0	(R)EI60	1510	●
618	C50/U50/PD/500-37,5/Hydro	C50	U50	U50	500	Hydro	3x12,5	97,5	38,0	(R)EI60	1600	●
618	C50/U50/PD/500-40/Uguns+	C50	U50	U50	500	Uguns Pluss	2x12,5+15,0	100	39,0	(R)EI90	1600	-
618	C50/U50/PD/500-40/Cietā	C50	U50	U50	500	Cietā	2x12,5+15,0	100	47,0	(R)EI90	1420	●
618	C50/U50/PD/500-40/Hydro	C50	U50	U50	500	Hydro	2x12,5+15,0	100	41,0	(R)EI90	1510	●
618	C50/U50/PD/500-60/Uguns+	C50	U50	U50	500	Uguns Pluss	4x15,0	120	61,0	(R)EI120	1250	-
618	C50/U50/PD/500-60/Cietā	C50	U50	U50	500	Cietā	4x15,0	120	69,0	(R)EI120	1210	●
618	C50/U50/PD/500-60/Hydro	C50	U50	U50	500	Hydro	4x15,0	120	61,0	(R)EI120	1250	●

¹⁾ Ugunsdrošības klasifikācija LBO-458-K/17.

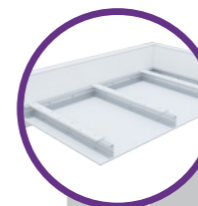
²⁾ Tehniskais atzinums ITB 1060/12/R33NK.



Lappuse	Sistēmas tips Nida Griesti	Režģa konstrukcija				Ģipša plākšņu apšuvums		Minimālais piekāršanas augstums	Būves svars 1 m ²	Ugunsizturības klase ¹⁾	Maksimālais griestu apdares platums ²⁾	Īpašā sistēma
		Nida nesošā profila tips	Nida nesošā perimetra profila tips	Nida konstrukcijas perimetra profila tips	Maksimālais Nida C75 nesošo profilu atstatums [mm]	Nida	Biezums					
PAŠNESOŠO GRIESTU SISTĒMA AR NIDA C75/U75/PD PROFILIEM												
620	C75/U75/PD/500-12,5/Expert	C75	U75	U75	500	Expert	12,5	97,5	13,0	-	2970	-
620	C75/U75/PD/500-12,5/Ūdens	C75	U75	U75	500	Ūdens	12,5	97,5	14,0	-	2970	-
620	C75/U75/PD/500-12,5/Uguns+	C75	U75	U75	500	Uguns Pluss	12,5	97,5	15,0	(R)EI15	2970	-
620	C75/U75/PD/500-12,5/ŪdensUguns+	C75	U75	U75	500	Ūdens Uguns Pluss	12,5	97,5	15,0	(R)EI15	2970	-
620	C75/U75/PD/500-12,5/Cietā	C75	U75	U75	500	Cietā	12,5	97,5	19,0	(R)EI15	2570	●
620	C75/U75/PD/500-12,5/Hydro	C75	U75	U75	500	Hydro	12,5	97,5	16,0	(R)EI15	2570	●
620	C75/U75/PD/500-15/Uguns+	C75	U75	U75	500	Uguns Pluss	15,0	100	20,0	(R)EI15	2570	-
620	C75/U75/PD/500-15/Cietā	C75	U75	U75	500	Cietā	15,0	100	22,0	(R)EI15	2290	●
620	C75/U75/PD/500-15/Hydro	C75	U75	U75	500	Hydro	15,0	100	20,0	(R)EI15	2570	●
620	C75/U75/PD/500-18/Uguns+	C75	U75	U75	500	Uguns Pluss	18,0	103	21,0	(R)EI30	2290	-
622	C75/U75/PD/500-25/Expert	C75	U75	U75	500	Expert	2x12,5	110	21,0	-	2370	-
622	C75/U75/PD/500-25/Ūdens	C75	U75	U75	500	Ūdens	2x12,5	110	23,0	-	2370	-
622	C75/U75/PD/500-25/Uguns+	C75	U75	U75	500	Uguns Pluss	2x12,5	110	26,0	(R)EI45	2160	-
622	C75/U75/PD/500-25/ŪdensUguns+	C75	U75	U75	500	Ūdens Uguns Pluss	2x12,5	110	26,0	(R)EI45	2160	-
622	C75/U75/PD/500-25/Cietā	C75	U75	U75	500	Cietā	2x12,5	110	32,0	(R)EI45	2000	●
622	C75/U75/PD/500-25/Hydro	C75	U75	U75	500	Hydro	2x12,5	110	27,0	(R)EI45	2160	●
622	C75/U75/PD/500-30/Uguns+	C75	U75	U75	500	Uguns Pluss	2x15,0	115	34,0	(R)EI60	2000	-
622	C75/U75/PD/500-30/Cietā	C75	U75	U75	500	Cietā	2x15,0	115	38,0	(R)EI60	1870	●
622	C75/U75/PD/500-30/Hydro	C75	U75	U75	500	Hydro	2x15,0	115	34,0	(R)EI60	2000	●
624	C75/U75/PD/500-37,5/Uguns+	C75	U75	U75	500	Uguns Pluss	3x12,5	122,5	36,0	(R)EI60	1870	-
624	C75/U75/PD/500-37,5/ŪdensUguns+	C75	U75	U75	500	Ūdens Uguns Pluss	3x12,5	122,5	36,0	(R)EI60	1870	-
624	C75/U75/PD/500-37,5/Cietā	C75	U75	U75	500	Cietā	3x12,5	122,5	45,0	(R)EI60	1770	●
624	C75/U75/PD/500-37,5/Hydro	C75	U75	U75	500	Hydro	3x12,5	122,5	38,0	(R)EI60	1870	●
624	C75/U75/PD/500-40/Uguns+	C75	U75	U75	500	Uguns Pluss	2x12,5+15,0	125	39,0	(R)EI90	1870	-
624	C75/U75/PD/500-40/Cietā	C75	U75	U75	500	Cietā	2x12,5+15,0	125	48,0	(R)EI90	1680	●
624	C75/U75/PD/500-40/Hydro	C75	U75	U75	500	Hydro	2x12,5+15,0	125	41,0	(R)EI90	1770	●
624	C75/U75/PD/500-60/Uguns+	C75	U75	U75	500	Uguns Pluss	4x15,0	145	61,0	(R)EI120	1470	-
624	C75/U75/PD/500-60/Cietā	C75	U75	U75	500	Cietā	4x15,0	145	69,0	(R)EI120	1420	●
624	C75/U75/PD/500-60/Hydro	C75	U75	U75	500	Hydro	4x15,0	145	61,0	(R)EI120	1470	●

¹⁾ Ugunsdrošības klasifikācija LBO-458-K/17.

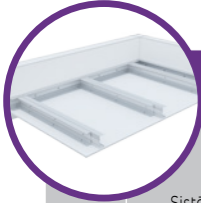
²⁾ Tehniskais atzinums ITB 1060/12/R33NK.



Lappuse	Sistēmas tips Nida Griesti	Režģa konstrukcija				Ģipša plākšņu apšuvums		Minimālais piekāršanas augstums	Būves svars 1 m ²	Ugunsizturības klase ¹⁾	Maksimālais griestu apdares platums ²⁾	Īpašā sistēma
		Nida nesošā profila tips	Nida nesošā perimetra profila tips	Nida konstrukcijas perimetra profila tips	Maksimālais Nida C100 nesošo profilu atstatums [mm]	Nida	Biezums					
PAŠNESOŠO GRIESTU SISTĒMA AR NIDA C100/U100/PD PROFILIEM												
626	C100/U100/PD/500-12,5/Expert	C100	U100	U100	500	Expert	12,5	122,5	13,0	-	3490	-
626	C100/U100/PD/500-12,5/Ūdens	C100	U100	U100	500	Ūdens	12,5	122,5	14,0	-	3490	-
626	C100/U100/PD/500-12,5/Uguns+	C100	U100	U100	500	Uguns Pluss	12,5	122,5	15,0	(R)EI15	3490	-
626	C100/U100/PD/500-12,5/ŪdensUguns+	C100	U100	U100	500	Ūdens Uguns Pluss	12,5	122,5	15,0	(R)EI15	3490	-
626	C100/U100/PD/500-12,5/Cietā	C100	U100	U100	500	Cietā	12,5	122,5	19,0	(R)EI15	3020	●
626	C100/U100/PD/500-12,5/Hydro	C100	U100	U100	500	Hydro	12,5	122,5	16,0	(R)EI15	3020	●
626	C100/U100/PD/500-15/Uguns+	C100	U100	U100	500	Uguns Pluss	15,0	125	20,0	(R)EI15	3020	-
626	C100/U100/PD/500-15/Cietā	C100	U100	U100	500	Cietā	15,0	125	22,0	(R)EI15	2700	●
626	C100/U100/PD/500-15/Hydro	C100	U100	U100	500	Hydro	15,0	125	20,0	(R)EI15	3020	●
626	C100/U100/PD/500-18/Uguns+	C100	U100	U100	500	Uguns Pluss	18,0	128	21,0	(R)EI30	2700	-
628	C100/U100/PD/500-25/Expert	C100	U100	U100	500	Expert	2x12,5	135	21,0	-	2790	-
628	C100/U100/PD/500-25/Ūdens	C100	U100	U100	500	Ūdens	2x12,5	135	23,0	-	2790	-
628	C100/U100/PD/500-25/Uguns+	C100	U100	U100	500	Uguns Pluss	2x12,5	135	26,0	(R)EI45	2550	-
628	C100/U100/PD/500-25/ŪdensUguns+	C100	U100	U100	500	Ūdens Uguns Pluss	2x12,5	135	26,0	(R)EI45	2550	-
628	C100/U100/PD/500-25/Cietā	C100	U100	U100	500	Cietā	2x12,5	135	32,0	(R)EI45	2360	●
628	C100/U100/PD/500-25/Hydro	C100	U100	U100	500	Hydro	2x12,5	135	28,0	(R)EI45	2550	●
628	C100/U100/PD/500-30/Uguns+	C100	U100	U100	500	Uguns Pluss	2x15,0	140	34,0	(R)EI60	2360	-
628	C100/U100/PD/500-30/Cietā	C100	U100	U100	500	Cietā	2x15,0	140	38,0	(R)EI60	2200	●
628	C100/U100/PD/500-30/Hydro	C100	U100	U100	500	Hydro	2x15,0	140	34,0	(R)EI60	2360	●
630	C100/U100/PD/500-37,5/Uguns+	C100	U100	U100	500	Uguns Pluss	3x12,5	147,5	36,0	(R)EI60	2200	-
630	C100/U100/PD/500-37,5/ŪdensUguns+	C100	U100	U100	500	Ūdens Uguns Pluss	3x12,5	147,5	36,0	(R)EI60	2200	-
630	C100/U100/PD/500-37,5/Cietā	C100	U100	U100	500	Cietā	3x12,5	147,5	45,0	(R)EI60	2080	●
630	C100/U100/PD/500-37,5/Hydro	C100	U100	U100	500	Hydro	3x12,5	147,5	39,0	(R)EI60	2200	●
630	C100/U100/PD/500-40/Uguns+	C100	U100	U100	500	Uguns Pluss	2x12,5+15,0	150	40,0	(R)EI90	2200	-
630	C100/U100/PD/500-40/Cietā	C100	U100	U100	500	Cietā	2x12,5+15,0	150	48,0	(R)EI90	1970	●
630	C100/U100/PD/500-40/Hydro	C100	U100	U100	500	Hydro	2x12,5+15,0	150	41,0	(R)EI90	2080	●
630	C100/U100/PD/500-60/Uguns+	C100	U100	U100	500	Uguns Pluss	4x15,0	170	61,0	(R)EI120	1730	-
630	C100/U100/PD/500-60/Cietā	C100	U100	U100	500	Cietā	4x15,0	170	70,0	(R)EI120	1670	●
630	C100/U100/PD/500-60/Hydro	C100	U100	U100	500	Hydro	4x15,0	170	61,0	(R)EI120	1730	●

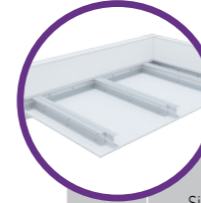
¹⁾ Ugunsdrošības klasifikācija LBO-458-K/17.

²⁾ Tehniskais atzinums ITB 1060/12/R33NK.



Lappuse	Sistēmas tips Nida Griesti	Režģa konstrukcija				Ģipša plākšņu apšuvums		Minimālais piekāršanas augstums	Būves svars 1 m ²	Ugunsizturības klase ¹⁾	Maksimālais griestu apdares platums ²⁾	Īpašā sistēma
		Nida nesošā profila tips	Nida nesošā perimetra profila tips	Nida konstrukcijas perimetra profila tips	Maksimālais Nida C50 nesošo profilu atstatums	Nida	Biezums					
								[mm]	[mm]	[kg]	[min.]	
PAŠNESOŠO GRIESTU SISTĒMA AR NIDA CC50/U50 PROFILIEM												
632	CC50/U50/500-12,5/Expert	2xC50	U50	U50	500	Expert	12,5	72,5	12,0	-	2870	-
632	CC50/U50/500-12,5/Ūdens	2xC50	U50	U50	500	Ūdens	12,5	72,5	12,0	-	2870	-
632	CC50/U50/500-12,5/Uguns+	2xC50	U50	U50	500	Uguns Pluss	12,5	72,5	14,0	(R)EI15	2870	-
632	CC50/U50/500-12,5/ŪdensUguns+	2xC50	U50	U50	500	Ūdens Uguns Pluss	12,5	72,5	14,0	(R)EI15	2870	-
632	CC50/U50/500-12,5/Cietā	2xC50	U50	U50	500	Cietā	12,5	72,5	16,0	(R)EI15	2490	●
632	CC50/U50/500-12,5/Hydro	2xC50	U50	U50	500	Hydro	12,5	72,5	14,0	(R)EI15	2870	●
632	CC50/U50/500-15/Uguns+	2xC50	U50	U50	500	Uguns Pluss	15,0	75	17,0	(R)EI15	2490	-
632	CC50/U50/500-15/Cietā	2xC50	U50	U50	500	Cietā	15,0	75	19,0	(R)EI15	2490	●
632	CC50/U50/500-15/Hydro	2xC50	U50	U50	500	Hydro	15,0	75	17,0	(R)EI15	2490	●
632	CC50/U50/500-18/Uguns+	2xC50	U50	U50	500	Uguns Pluss	18,0	78	18,0	(R)EI30	2490	-
634	CC50/U50/500-25/Expert	2xC50	U50	U50	500	Expert	2x12,5	85	20,0	-	2820	-
634	CC50/U50/500-25/Ūdens	2xC50	U50	U50	500	Ūdens	2x12,5	85	21,0	-	2520	-
634	CC50/U50/500-25/Uguns+	2xC50	U50	U50	500	Uguns Pluss	2x12,5	85	24,0	(R)EI45	2520	-
634	CC50/U50/500-25/ŪdensUguns+	2xC50	U50	U50	500	Ūdens Uguns Pluss	2x12,5	85	24,0	(R)EI45	2520	-
634	CC50/U50/500-25/Cietā	2xC50	U50	U50	500	Cietā	2x12,5	85	29,0	(R)EI45	2300	●
634	CC50/U50/500-25/Hydro	2xC50	U50	U50	500	Hydro	2x12,5	85	25,0	(R)EI45	2520	●
634	CC50/U50/500-30/Uguns+	2xC50	U50	U50	500	Uguns Pluss	2x15,0	90	31,0	(R)EI60	2130	-
634	CC50/U50/500-30/Cietā	2xC50	U50	U50	500	Cietā	2x15,0	90	35,0	(R)EI60	2130	●
634	CC50/U50/500-30/Hydro	2xC50	U50	U50	500	Hydro	2x15,0	90	31,0	(R)EI60	2130	●
636	CC50/U50/500-37,5/Uguns+	2xC50	U50	U50	500	Uguns Pluss	3x12,5	97,5	34,0	(R)EI60	2130	-
636	CC50/U50/500-37,5/ŪdensUguns+	2xC50	U50	U50	500	Ūdens Uguns Pluss	3x12,5	97,5	34,0	(R)EI60	2130	-
636	CC50/U50/500-37,5/Cietā	2xC50	U50	U50	500	Cietā	3x12,5	97,5	43,0	(R)EI60	1880	●
636	CC50/U50/500-37,5/Hydro	2xC50	U50	U50	500	Hydro	3x12,5	97,5	37,0	(R)EI60	1990	●
636	CC50/U50/500-40/Uguns+	2xC50	U50	U50	500	Uguns Pluss	2x12,5+15,0	100	38,0	(R)EI90	1990	-
636	CC50/U50/500-40/Cietā	2xC50	U50	U50	500	Cietā	2x12,5+15,0	100	45,0	(R)EI90	1880	●
636	CC50/U50/500-40/Hydro	2xC50	U50	U50	500	Hydro	2x12,5+15,0	100	39,0	(R)EI90	1990	●
636	CC50/U50/500-60/Uguns+	2xC50	U50	U50	500	Uguns Pluss	4x15,0	120	58,0	(R)EI120	1630	-
636	CC50/U50/500-60/Cietā	2xC50	U50	U50	500	Cietā	4x15,0	120	66,0	(R)EI120	1500	●
636	CC50/U50/500-60/Hydro	2xC50	U50	U50	500	Hydro	4x15,0	120	58,0	(R)EI120	1630	●

¹⁾ Ugunsdrošības klasifikācija LBO-458-K/17.
²⁾ Tehniskais atzinums ITB 1060/12/R33NK.



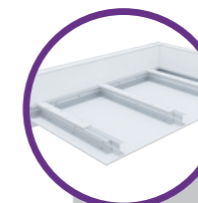
Lappuse	Sistēmas tips Nida Griesti	Režģa konstrukcija				Ģipša plākšņu apšuvums		Minimālais piekāršanas augstums	Būves svars 1 m ²	Ugunsizturības klase ¹⁾	Maksimālais griestu apdares platums ²⁾	Īpašā sistēma
		Nida nesošā profila tips	Nida nesošā perimetra profila tips	Nida konstrukcijas perimetra profila tips	Maksimālais Nida C75 nesošo profilu atstatums	Nida	Biezums					
								[mm]	[mm]	[kg]	[min.]	
PAŠNESOŠO GRIESTU SISTĒMA AR NIDA CC75/U75 PROFILIEM												
638	CC75/U75/500-12,5/Expert	2xC75	U75	U75	500	Expert	12,5	97,5	12,0	-	3690	-
638	CC75/U75/500-12,5/Ūdens	2xC75	U75	U75	500	Ūdens	12,5	97,5	13,0	-	3690	-
638	CC75/U75/500-12,5/Uguns+	2xC75	U75	U75	500	Uguns Pluss	12,5	97,5	14,0	(R)EI15	3690	-
638	CC75/U75/500-12,5/ŪdensUguns+	2xC75	U75	U75	500	Ūdens Uguns Pluss	12,5	97,5	14,0	(R)EI15	3690	-
638	CC75/U75/500-12,5/Cietā	2xC75	U75	U75	500	Cietā	12,5	97,5	17,0	(R)EI15	3190	●
638	CC75/U75/500-12,5/Hydro	2xC75	U75	U75	500	Hydro	12,5	97,5	15,0	(R)EI15	3690	●
638	CC75/U75/500-15/Uguns+	2xC75	U75	U75	500	Uguns Pluss	15,0	100	18,0	(R)EI15	3190	-
638	CC75/U75/500-15/Cietā	2xC75	U75	U75	500	Cietā	15,0	100	20,0	(R)EI15	3190	●
638	CC75/U75/500-15/Hydro	2xC75	U75	U75	500	Hydro	15,0	100	18,0	(R)EI15	3190	●
638	CC75/U75/500-18/Uguns+	2xC75	U75	U75	500	Uguns Pluss	18,0	103	18,0	(R)EI30	3190	-
640	CC75/U75/500-25/Expert	2xC75	U75	U75	500	Expert	2x12,5	110	20,0	-	3250	-
640	CC75/U75/500-25/Ūdens	2xC75	U75	U75	500	Ūdens	2x12,5	110	22,0	-	2910	-
640	CC75/U75/500-25/Uguns+	2xC75	U75	U75	500	Uguns Pluss	2x12,5	110	24,0	(R)EI45	2910	-
640	CC75/U75/500-25/ŪdensUguns+	2xC75	U75	U75	500	Ūdens Uguns Pluss	2x12,5	110	24,0	(R)EI45	2910	-
640	CC75/U75/500-25/Cietā	2xC75	U75	U75	500	Cietā	2x12,5	110	30,0	(R)EI45	2660	●
640	CC75/U75/500-25/Hydro	2xC75	U75	U75	500	Hydro	2x12,5	110	26,0	(R)EI45	2660	●
640	CC75/U75/500-30/Uguns+	2xC75	U75	U75	500	Uguns Pluss	2x15,0	115	31,0	(R)EI60	2460	-
640	CC75/U75/500-30/Cietā	2xC75	U75	U75	500	Cietā	2x15,0	115	35,0	(R)EI60	2460	●
640	CC75/U75/500-30/Hydro	2xC75	U75	U75	500	Hydro	2x15,0	115	31,0	(R)EI60	2460	●
642	CC75/U75/500-37,5/Uguns+	2xC75	U75	U75	500	Uguns Pluss	3x12,5	122,5	35,0	(R)EI60	2460	-
642	CC75/U75/500-37,5/ŪdensUguns+	2xC75	U75	U75	500	Ūdens Uguns Pluss	3x12,5	122,5	35,0	(R)EI60	2460	-
642	CC75/U75/500-37,5/Cietā	2xC75	U75	U75	500	Cietā	3x12,5	122,5	43,0	(R)EI60	2170	●
642	CC75/U75/500-37,5/Hydro	2xC75	U75	U75	500	Hydro	3x12,5	122,5	37,0	(R)EI60	2300	●
642	CC75/U75/500-40/Uguns+	2xC75	U75	U75	500	Uguns Pluss	2x12,5+15,0	125	38,0	(R)EI90	2300	-
642	CC75/U75/500-40/Cietā	2xC75	U75	U75	500	Cietā	2x12,5+15,0	125	46,0	(R)EI90	2060	●
642	CC75/U75/500-40/Hydro	2xC75	U75	U75	500	Hydro	2x12,5+15,0	125	40,0	(R)EI90	2300	●
642	CC75/U75/500-60/Uguns+	2xC75	U75	U75	500	Uguns Pluss	4x15,0	145	59,0	(R)EI120	1880	-
642	CC75/U75/500-60/Cietā	2xC75	U75	U75	500	Cietā	4x15,0	145	67,0	(R)EI120	1740	●
642	CC75/U75/500-60/Hydro	2xC75	U75	U75	500	Hydro	4x15,0	145	59,0	(R)EI120	1880	●

¹⁾ Ugunsdrošības klasifikācija LBO-458-K/17.
²⁾ Tehniskais atzinums ITB 1060/12/R33NK.



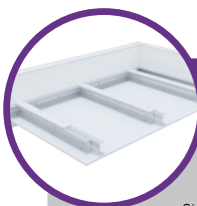
Lappuse	Sistēmas tips Nida Griesti	Režģa konstrukcija				Gipsa plākšņu apšuvums		Minimālais piekāršanas augstums	Būves svars 1 m ²	Ugunsizturības klase ¹⁾	Maksimālais griestu apdares platums ²⁾	Īpašā sistēma
		Nida nesošā profila tips	Nida nesošā perimetra profila tips	Nida konstrukcijas perimetra profila tips	Maksimālais Nida C100 nesošo profilu atstatums	Nida	Biezums					
PAŠNESOŠO GRIESTU SISTĒMA AR NIDA CC100/U100 PROFILIEM												
644	CC100/U100/500-12,5/Expert	2xC100	U100	U100	500	Expert	12,5	122,5	13,0	-	4270	-
644	CC100/U100/500-12,5/Ūdens	2xC100	U100	U100	500	Ūdens	12,5	122,5	13,0	-	4270	-
644	CC100/U100/500-12,5/Uguns+	2xC100	U100	U100	500	Uguns Pluss	12,5	122,5	15,0	(R)EI15	4270	-
644	CC100/U100/500-12,5/ŪdensUguns+	2xC100	U100	U100	500	Ūdens Uguns Pluss	12,5	122,5	15,0	(R)EI15	4270	-
644	CC100/U100/500-12,5/Cietā	2xC100	U100	U100	500	Cietā	12,5	122,5	17,0	(R)EI15	3700	●
644	CC100/U100/500-12,5/Hydro	2xC100	U100	U100	500	Hydro	12,5	122,5	15,0	(R)EI15	4270	●
644	CC100/U100/500-15/Uguns+	2xC100	U100	U100	500	Uguns Pluss	15,0	125	18,0	(R)EI15	3700	-
644	CC100/U100/500-15/Cietā	2xC100	U100	U100	500	Cietā	15,0	125	20,0	(R)EI15	3700	●
644	CC100/U100/500-15/Hydro	2xC100	U100	U100	500	Hydro	15,0	125	18,0	(R)EI15	3700	●
644	CC100/U100/500-18/Uguns+	2xC100	U100	U100	500	Uguns Pluss	18,0	128	19,0	(R)EI30	3700	-
646	CC100/U100/500-25/Expert	2xC100	U100	U100	500	Expert	2x12,5	135	21,0	-	3330	-
646	CC100/U100/500-25/Ūdens	2xC100	U100	U100	500	Ūdens	2x12,5	135	22,0	-	3330	-
646	CC100/U100/500-25/Uguns+	2xC100	U100	U100	500	Uguns Pluss	2x12,5	135	25,0	(R)EI45	3330	-
646	CC100/U100/500-25/ŪdensUguns+	2xC100	U100	U100	500	Ūdens Uguns Pluss	2x12,5	135	25,0	(R)EI45	3330	-
646	CC100/U100/500-25/Cietā	2xC100	U100	U100	500	Cietā	2x12,5	135	30,0	(R)EI45	3040	●
646	CC100/U100/500-25/Hydro	2xC100	U100	U100	500	Hydro	2x12,5	135	26,0	(R)EI45	3040	●
646	CC100/U100/500-30/Uguns+	2xC100	U100	U100	500	Uguns Pluss	2x15,0	140	32,0	(R)EI60	2810	-
646	CC100/U100/500-30/Cietā	2xC100	U100	U100	500	Cietā	2x15,0	140	36,0	(R)EI60	2630	●
646	CC100/U100/500-30/Hydro	2xC100	U100	U100	500	Hydro	2x15,0	140	32,0	(R)EI60	2810	●
648	CC100/U100/500-37,5/Uguns+	2xC100	U100	U100	500	Uguns Pluss	3x12,5	147,5	35,0	(R)EI60	2810	-
648	CC100/U100/500-37,5/ŪdensUguns+	2xC100	U100	U100	500	Ūdens Uguns Pluss	3x12,5	147,5	35,0	(R)EI60	2810	-
648	CC100/U100/500-37,5/Cietā	2xC100	U100	U100	500	Cietā	3x12,5	147,5	44,0	(R)EI60	2480	●
648	CC100/U100/500-37,5/Hydro	2xC100	U100	U100	500	Hydro	3x12,5	147,5	38,0	(R)EI60	2630	●
648	CC100/U100/500-40/Uguns+	2xC100	U100	U100	500	Uguns Pluss	2x12,5+15,0	150	39,0	(R)EI90	2630	-
648	CC100/U100/500-40/Cietā	2xC100	U100	U100	500	Cietā	2x12,5+15,0	150	46,0	(R)EI90	2350	●
648	CC100/U100/500-40/Hydro	2xC100	U100	U100	500	Hydro	2x12,5+15,0	150	40,0	(R)EI90	2630	●
648	CC100/U100/500-60/Uguns+	2xC100	U100	U100	500	Uguns Pluss	4x15,0	170	59,0	(R)EI120	2150	-
648	CC100/U100/500-60/Cietā	2xC100	U100	U100	500	Cietā	4x15,0	170	67,0	(R)EI120	1990	●
648	CC100/U100/500-60/Hydro	2xC100	U100	U100	500	Hydro	4x15,0	170	59,0	(R)EI120	2150	●

¹⁾ Ugunsdrošības klasifikācija LBO-458-K/17.
²⁾ Tehniskais atzinums ITB 1060/12/R33NK.



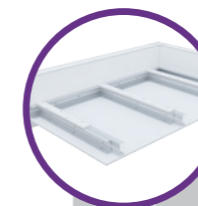
Lappuse	Sistēmas tips Nida Griesti	Režģa konstrukcija				Gipsa plākšņu apšuvums		Minimālais piekāršanas augstums	Būves svars 1 m ²	Ugunsizturības klase ¹⁾	Maksimālais griestu apdares platums ²⁾	Īpašā sistēma
		Nida nesošā profila tips	Nida nesošā perimetra profila tips	Nida konstrukcijas perimetra profila tips	Maksimālais Nida C50 nesošo profilu atstatums	Nida	Biezums					
PAŠNESOŠO GRIESTU SISTĒMA AR NIDA CC50/U50/PD PROFILIEM												
650	CC50/U50/PD/500-12,5/Expert	2xC50	U50	U50	500	Expert	12,5	72,5	14,0	-	3650	-
650	CC50/U50/PD/500-12,5/Ūdens	2xC50	U50	U50	500	Ūdens	12,5	72,5	15,0	-	3650	-
650	CC50/U50/PD/500-12,5/Uguns+	2xC50	U50	U50	500	Uguns Pluss	12,5	72,5	17,0	(R)EI15	3160	-
650	CC50/U50/PD/500-12,5/ŪdensUguns+	2xC50	U50	U50	500	Ūdens Uguns Pluss	12,5	72,5	17,0	(R)EI15	3160	-
650	CC50/U50/PD/500-12,5/Cietā	2xC50	U50	U50	500	Cietā	12,5	72,5	20,0	(R)EI15	3160	●
650	CC50/U50/PD/500-12,5/Hydro	2xC50	U50	U50	500	Hydro	12,5	72,5	18,0	(R)EI15	3160	●
650	CC50/U50/PD/500-15/Uguns+	2xC50	U50	U50	500	Uguns Pluss	15,0	75	21,0	(R)EI15	2830	-
650	CC50/U50/PD/500-15/Cietā	2xC50	U50	U50	500	Cietā	15,0	75	24,0	(R)EI15	2830	●
650	CC50/U50/PD/500-15/Hydro	2xC50	U50	U50	500	Hydro	15,0	75	21,0	(R)EI15	2830	●
650	CC50/U50/PD/500-18/Uguns+	2xC50	U50	U50	500	Uguns Pluss	18,0	78	22,0	(R)EI30	2830	-
652	CC50/U50/PD/500-25/Expert	2xC50	U50	U50	500	Expert	2x12,5	85	22,0	-	2880	-
652	CC50/U50/PD/500-25/Ūdens	2xC50	U50	U50	500	Ūdens	2x12,5	85	24,0	-	2880	-
652	CC50/U50/PD/500-25/Uguns+	2xC50	U50	U50	500	Uguns Pluss	2x12,5	85	27,0	(R)EI45	2630	-
652	CC50/U50/PD/500-25/ŪdensUguns+	2xC50	U50	U50	500	Ūdens Uguns Pluss	2x12,5	85	27,0	(R)EI45	2630	-
652	CC50/U50/PD/500-25/Cietā	2xC50	U50	U50	500	Cietā	2x12,5	85	33,0	(R)EI45	2430	●
652	CC50/U50/PD/500-25/Hydro	2xC50	U50	U50	500	Hydro	2x12,5	85	29,0	(R)EI45	2630	●
652	CC50/U50/PD/500-30/Uguns+	2xC50	U50	U50	500	Uguns Pluss	2x15,0	90	35,0	(R)EI60	2430	-
652	CC50/U50/PD/500-30/Cietā	2xC50	U50	U50	500	Cietā	2x15,0	90	39,0	(R)EI60	2280	●
652	CC50/U50/PD/500-30/Hydro	2xC50	U50	U50	500	Hydro	2x15,0	90	35,0	(R)EI60	2430	●
654	CC50/U50/PD/500-37,5/Uguns+	2xC50	U50	U50	500	Uguns Pluss	3x12,5	97,5	37,0	(R)EI60	2280	-
654	CC50/U50/PD/500-37,5/ŪdensUguns+	2xC50	U50	U50	500	Ūdens Uguns Pluss	3x12,5	97,5	37,0	(R)EI60	2280	-
654	CC50/U50/PD/500-37,5/Cietā	2xC50	U50	U50	500	Cietā	3x12,5	97,5	46,0	(R)EI60	2040	●
654	CC50/U50/PD/500-37,5/Hydro	2xC50	U50	U50	500	Hydro	3x12,5	97,5	40,0	(R)EI60	2280	●
654	CC50/U50/PD/500-40/Uguns+	2xC50	U50	U50	500	Uguns Pluss	2x12,5+15,0	100	41,0	(R)EI90	2150	-
654	CC50/U50/PD/500-40/Cietā	2xC50	U50	U50	500	Cietā	2x12,5+15,0	100	49,0	(R)EI90	2040	●
654	CC50/U50/PD/500-40/Hydro	2xC50	U50	U50	500	Hydro	2x12,5+15,0	100	42,0	(R)EI90	2150	●
654	CC50/U50/PD/500-60/Uguns+	2xC50	U50	U50	500	Uguns Pluss	4x15,0	120	62,0	(R)EI120	1790	-
654	CC50/U50/PD/500-60/Cietā	2xC50	U50	U50	500	Cietā	4x15,0	120	71,0	(R)EI120	1660	●
654	CC50/U50/PD/500-60/Hydro	2xC50	U50	U50	500	Hydro	4x15,0	120	62,0	(R)EI120	1790	●

¹⁾ Ugunsdrošības klasifikācija LBO-458-K/17.
²⁾ Tehniskais atzinums ITB 1060/12/R33NK.



Lappuse	Sistēmas tips Nida Griesti	Režģa konstrukcija				Gipša plākšņu apšuvums		Minimālais piekāršanas augstums	Būves svars 1 m ²	Ugunsizturības klase ¹⁾	Maksimālais griestu apdares platums ²⁾	Īpašā sistēma
		Nida nesošā profila tips	Nida nesošā perimetra profila tips	Nida konstrukcijas perimetra profila tips	Maksimālais Nida C75 nesošo profilu atstatums [mm]	Nida	Biezums					
PAŠNESOŠO GRIESTU SISTĒMA AR NIDA CC75/U75/PD PROFILĒM												
656	CC75/U75/PD/500-12,5/Expert	2xC75	U75	U75	500	Expert	12,5	97,5	15,0	-	4340	-
656	CC75/U75/PD/500-12,5/Ūdens	2xC75	U75	U75	500	Ūdens	12,5	97,5	15,0	-	4340	-
656	CC75/U75/PD/500-12,5/Uguns+	2xC75	U75	U75	500	Uguns Plus	12,5	97,5	17,0	(R)EI15	3760	-
656	CC75/U75/PD/500-12,5/ŪdensUguns+	2xC75	U75	U75	500	Ūdens Uguns Plus	12,5	97,5	17,0	(R)EI15	3760	-
656	CC75/U75/PD/500-12,5/Cietā	2xC75	U75	U75	500	Cietā	12,5	97,5	21,0	(R)EI15	3360	●
656	CC75/U75/PD/500-12,5/Hydro	2xC75	U75	U75	500	Hydro	12,5	97,5	18,0	(R)EI15	3760	●
656	CC75/U75/PD/500-15/Uguns+	2xC75	U75	U75	500	Uguns Plus	15,0	100	22,0	(R)EI15	3360	-
656	CC75/U75/PD/500-15/Cietā	2xC75	U75	U75	500	Cietā	15,0	100	24,0	(R)EI15	3360	●
656	CC75/U75/PD/500-15/Hydro	2xC75	U75	U75	500	Hydro	15,0	100	22,0	(R)EI15	3360	●
656	CC75/U75/PD/500-18/Uguns+	2xC75	U75	U75	500	Uguns Plus	18,0	103	23,0	(R)EI30	3360	-
658	CC75/U75/PD/500-25/Expert	2xC75	U75	U75	500	Expert	2x12,5	110	23,0	-	3370	-
658	CC75/U75/PD/500-25/Ūdens	2xC75	U75	U75	500	Ūdens	2x12,5	110	24,0	-	3370	-
658	CC75/U75/PD/500-25/Uguns+	2xC75	U75	U75	500	Uguns Plus	2x12,5	110	27,0	(R)EI45	3070	-
658	CC75/U75/PD/500-25/ŪdensUguns+	2xC75	U75	U75	500	Ūdens Uguns Plus	2x12,5	110	27,0	(R)EI45	3070	-
658	CC75/U75/PD/500-25/Cietā	2xC75	U75	U75	500	Cietā	2x12,5	110	34,0	(R)EI45	2840	●
658	CC75/U75/PD/500-25/Hydro	2xC75	U75	U75	500	Hydro	2x12,5	110	29,0	(R)EI45	3070	●
658	CC75/U75/PD/500-30/Uguns+	2xC75	U75	U75	500	Uguns Plus	2x15,0	115	35,0	(R)EI60	2840	-
658	CC75/U75/PD/500-30/Cietā	2xC75	U75	U75	500	Cietā	2x15,0	115	40,0	(R)EI60	2660	●
658	CC75/U75/PD/500-30/Hydro	2xC75	U75	U75	500	Hydro	2x15,0	115	35,0	(R)EI60	2840	●
660	CC75/U75/PD/500-37,5/Uguns+	2xC75	U75	U75	500	Uguns Plus	3x12,5	122,5	38,0	(R)EI60	2660	-
660	CC75/U75/PD/500-37,5/ŪdensUguns+	2xC75	U75	U75	500	Ūdens Uguns Plus	3x12,5	122,5	38,0	(R)EI60	2660	-
660	CC75/U75/PD/500-37,5/Cietā	2xC75	U75	U75	500	Cietā	3x12,5	122,5	47,0	(R)EI60	2380	●
660	CC75/U75/PD/500-37,5/Hydro	2xC75	U75	U75	500	Hydro	3x12,5	122,5	40,0	(R)EI60	2660	●
660	CC75/U75/PD/500-40/Uguns+	2xC75	U75	U75	500	Uguns Plus	2x12,5+15,0	125	41,0	(R)EI90	2510	-
660	CC75/U75/PD/500-40/Cietā	2xC75	U75	U75	500	Cietā	2x12,5+15,0	125	50,0	(R)EI90	2380	●
660	CC75/U75/PD/500-40/Hydro	2xC75	U75	U75	500	Hydro	2x12,5+15,0	125	43,0	(R)EI90	2510	●
660	CC75/U75/PD/500-60/Uguns+	2xC75	U75	U75	500	Uguns Plus	4x15,0	145	63,0	(R)EI120	2090	-
660	CC75/U75/PD/500-60/Cietā	2xC75	U75	U75	500	Cietā	4x15,0	145	71,0	(R)EI120	1940	●
660	CC75/U75/PD/500-60/Hydro	2xC75	U75	U75	500	Hydro	4x15,0	145	63,0	(R)EI120	2090	●

¹⁾ Ugunsdrošības klasifikācija LBO-458-K/17.
²⁾ Tehniskais atzinums ITB 1060/12/R33NK.



Lappuse	Sistēmas tips Nida Griesti	Režģa konstrukcija				Gipša plākšņu apšuvums		Minimālais piekāršanas augstums	Būves svars 1 m ²	Ugunsizturības klase ¹⁾	Maksimālais griestu apdares platums ²⁾	Īpašā sistēma
		Nida nesošā profila tips	Nida nesošā perimetra profila tips	Nida konstrukcijas perimetra profila tips	Maksimālais Nida C100 nesošo profilu atstatums [mm]	Nida	Biezums					
PAŠNESOŠO GRIESTU SISTĒMA AR NIDA CC100/U100/PD PROFILĒM												
662	CC100/U100/PD/500-12,5/Expert	2xC100	U100	U100	500	Expert	12,5	122,5	15,0	-	4740	-
662	CC100/U100/PD/500-12,5/Ūdens	2xC100	U100	U100	500	Ūdens	12,5	122,5	16,0	-	4100	-
662	CC100/U100/PD/500-12,5/Uguns+	2xC100	U100	U100	500	Uguns Plus	12,5	122,5	18,0	(R)EI15	4100	-
662	CC100/U100/PD/500-12,5/ŪdensUguns+	2xC100	U100	U100	500	Ūdens Uguns Plus	12,5	122,5	18,0	(R)EI15	4100	-
662	CC100/U100/PD/500-12,5/Cietā	2xC100	U100	U100	500	Cietā	12,5	122,5	21,0	(R)EI15	3670	●
662	CC100/U100/PD/500-12,5/Hydro	2xC100	U100	U100	500	Hydro	12,5	122,5	19,0	(R)EI15	4100	●
662	CC100/U100/PD/500-15/Uguns+	2xC100	U100	U100	500	Uguns Plus	15,0	125	22,0	(R)EI15	3670	-
662	CC100/U100/PD/500-15/Cietā	2xC100	U100	U100	500	Cietā	15,0	125	25,0	(R)EI15	3670	●
662	CC100/U100/PD/500-15/Hydro	2xC100	U100	U100	500	Hydro	15,0	125	22,0	(R)EI15	3670	●
662	CC100/U100/PD/500-18/Uguns+	2xC100	U100	U100	500	Uguns Plus	18,0	128	23,0	(R)EI30	3670	-
664	CC100/U100/PD/500-25/Expert	2xC100	U100	U100	500	Expert	2x12,5	135	23,0	-	3700	-
664	CC100/U100/PD/500-25/Ūdens	2xC100	U100	U100	500	Ūdens	2x12,5	135	25,0	-	3700	-
664	CC100/U100/PD/500-25/Uguns+	2xC100	U100	U100	500	Uguns Plus	2x12,5	135	28,0	(R)EI45	3380	-
664	CC100/U100/PD/500-25/ŪdensUguns+	2xC100	U100	U100	500	Ūdens Uguns Plus	2x12,5	135	28,0	(R)EI45	3380	-
664	CC100/U100/PD/500-25/Cietā	2xC100	U100	U100	500	Cietā	2x12,5	135	34,0	(R)EI45	3120	●
664	CC100/U100/PD/500-25/Hydro	2xC100	U100	U100	500	Hydro	2x12,5	135	30,0	(R)EI45	3380	●
664	CC100/U100/PD/500-30/Uguns+	2xC100	U100	U100	500	Uguns Plus	2x15,0	140	36,0	(R)EI60	2930	-
664	CC100/U100/PD/500-30/Cietā	2xC100	U100	U100	500	Cietā	2x15,0	140	40,0	(R)EI60	2930	●
664	CC100/U100/PD/500-30/Hydro	2xC100	U100	U100	500	Hydro	2x15,0	140	36,0	(R)EI60	2930	●
666	CC100/U100/PD/500-37,5/Uguns+	2xC100	U100	U100	500	Uguns Plus	3x12,5	147,5	38,0	(R)EI60	2930	-
666	CC100/U100/PD/500-37,5/ŪdensUguns+	2xC100	U100	U100	500	Ūdens Uguns Plus	3x12,5	147,5	38,0	(R)EI60	2930	-
666	CC100/U100/PD/500-37,5/Cietā	2xC100	U100	U100	500	Cietā	3x12,5	147,5	47,0	(R)EI60	2620	●
666	CC100/U100/PD/500-37,5/Hydro	2xC100	U100	U100	500	Hydro	3x12,5	147,5	41,0	(R)EI60	2760	●
666	CC100/U100/PD/500-40/Uguns+	2xC100	U100	U100	500	Uguns Plus	2x12,5+15,0	150	42,0	(R)EI90	2760	-
666	CC100/U100/PD/500-40/Cietā	2xC100	U100	U100	500	Cietā	2x12,5+15,0	150	50,0	(R)EI90	2620	●
666	CC100/U100/PD/500-40/Hydro	2xC100	U100	U100	500	Hydro	2x12,5+15,0	150	43,0	(R)EI90	2760	●
666	CC100/U100/PD/500-60/Uguns+	2xC100	U100	U100	500	Uguns Plus	4x15,0	170	63,0	(R)EI120	2290	-
666	CC100/U100/PD/500-60/Cietā	2xC100	U100	U100	500	Cietā	4x15,0	170	72,0	(R)EI120	2130	●
666	CC100/U100/PD/500-60/Hydro	2xC100	U100	U100	500	Hydro	4x15,0	170	63,0	(R)EI120	2290	●

¹⁾ Ugunsdrošības klasifikācija LBO-458-K/17.
²⁾ Tehniskais atzinums ITB 1060/12/R33NK.



Lappuse	Sistēmas tips Nida Griesti	Režģa konstrukcija				Gipša plākšņu apšuvums		Minimālais piekāršanas augstums	Būves svars 1 m ²	Ugunsizturības klase ¹⁾	Maksimālais griestu apdares platums ²⁾	Īpašā sistēma
		Nida nesošā profila tips	Nida nesošā perimetra profila tips	Nida konstrukcijas perimetra profila tips	Maksimālais Nida UAR50 nesošo profilu atstatums [mm]	Nida	Biezums					
PAŠNESOŠO GRIESTU SISTĒMA AR NIDA UAR50/U50 PROFILIEM												
668	UAR50/U50/500-12,5/Expert	UAR50	U50	U50	500	Expert	12,5	72,5	12,0	-	3960	-
668	UAR50/U50/500-12,5/Ūdens	UAR50	U50	U50	500	Ūdens	12,5	72,5	13,0	-	3960	-
668	UAR50/U50/500-12,5/Uguns+	UAR50	U50	U50	500	Uguns Pluss	12,5	72,5	14,0	(R)EI15	3960	-
668	UAR50/U50/500-12,5/ŪdensUguns+	UAR50	U50	U50	500	Ūdens Uguns Pluss	12,5	72,5	14,0	(R)EI15	3960	-
668	UAR50/U50/500-12,5/Cietā	UAR50	U50	U50	500	Cietā	12,5	72,5	17,0	(R)EI15	3430	●
668	UAR50/U50/500-12,5/Hydro	UAR50	U50	U50	500	Hydro	12,5	72,5	15,0	(R)EI15	3960	●
668	UAR50/U50/500-15/Uguns+	UAR50	U50	U50	500	Uguns Pluss	15,0	75	18,0	(R)EI15	3430	-
668	UAR50/U50/500-15/Cietā	UAR50	U50	U50	500	Cietā	15,0	75	19,0	(R)EI15	3430	●
668	UAR50/U50/500-15/Hydro	UAR50	U50	U50	500	Hydro	15,0	75	18,0	(R)EI15	3430	●
668	UAR50/U50/500-18/Uguns+	UAR50	U50	U50	500	Uguns Pluss	18,0	78	18,0	(R)EI30	3430	-
670	UAR50/U50/500-25/Expert	UAR50	U50	U50	500	Expert	2x12,5	85	20,0	-	3290	-
670	UAR50/U50/500-25/Ūdens	UAR50	U50	U50	500	Ūdens	2x12,5	85	22,0	-	2950	-
670	UAR50/U50/500-25/Uguns+	UAR50	U50	U50	500	Uguns Pluss	2x12,5	85	24,0	(R)EI45	2950	-
670	UAR50/U50/500-25/ŪdensUguns+	UAR50	U50	U50	500	Ūdens Uguns Pluss	2x12,5	85	24,0	(R)EI45	2950	-
670	UAR50/U50/500-25/Cietā	UAR50	U50	U50	500	Cietā	2x12,5	85	30,0	(R)EI45	2690	●
670	UAR50/U50/500-25/Hydro	UAR50	U50	U50	500	Hydro	2x12,5	85	26,0	(R)EI45	2690	●
670	UAR50/U50/500-30/Uguns+	UAR50	U50	U50	500	Uguns Pluss	2x15,0	90	31,0	(R)EI60	2490	-
670	UAR50/U50/500-30/Cietā	UAR50	U50	U50	500	Cietā	2x15,0	90	35,0	(R)EI60	2490	●
670	UAR50/U50/500-30/Hydro	UAR50	U50	U50	500	Hydro	2x15,0	90	31,0	(R)EI60	2490	●
672	UAR50/U50/500-37,5/Uguns+	UAR50	U50	U50	500	Uguns Pluss	3x12,5	97,5	35,0	(R)EI60	2490	-
672	UAR50/U50/500-37,5/ŪdensUguns+	UAR50	U50	U50	500	Ūdens Uguns Pluss	3x12,5	97,5	35,0	(R)EI60	2490	-
672	UAR50/U50/500-37,5/Cietā	UAR50	U50	U50	500	Cietā	3x12,5	97,5	43,0	(R)EI60	2200	●
672	UAR50/U50/500-37,5/Hydro	UAR50	U50	U50	500	Hydro	3x12,5	97,5	37,0	(R)EI60	2330	●
672	UAR50/U50/500-40/Uguns+	UAR50	U50	U50	500	Uguns Pluss	2x12,5+15,0	100	38,0	(R)EI90	2330	-
672	UAR50/U50/500-40/Cietā	UAR50	U50	U50	500	Cietā	2x12,5+15,0	100	46,0	(R)EI90	2080	●
672	UAR50/U50/500-40/Hydro	UAR50	U50	U50	500	Hydro	2x12,5+15,0	100	40,0	(R)EI90	2330	●
672	UAR50/U50/500-60/Uguns+	UAR50	U50	U50	500	Uguns Pluss	4x15,0	120	59,0	(R)EI120	1900	-
672	UAR50/U50/500-60/Cietā	UAR50	U50	U50	500	Cietā	4x15,0	120	67,0	(R)EI120	1760	●
672	UAR50/U50/500-60/Hydro	UAR50	U50	U50	500	Hydro	4x15,0	120	59,0	(R)EI120	1900	●

¹⁾ Ugunsdrošības klasifikācija LBO-458-K/17.
²⁾ Tehniskais atzinums ITB 1060/12/R33NK.



Lappuse	Sistēmas tips Nida Griesti	Režģa konstrukcija				Gipša plākšņu apšuvums		Minimālais piekāršanas augstums	Būves svars 1 m ²	Ugunsizturības klase ¹⁾	Maksimālais griestu apdares platums ²⁾	Īpašā sistēma
		Nida nesošā profila tips	Nida nesošā perimetra profila tips	Nida konstrukcijas perimetra profila tips	Maksimālais Nida C75 nesošo profilu atstatums [mm]	Nida	Biezums					
PAŠNESOŠO GRIESTU SISTĒMA AR NIDA UAR75/U75 PROFILIEM												
674	UAR75/U75/500-12,5/Expert	UAR75	U75	U75	500	Expert	12,5	97,5	13,0	-	5370	-
674	UAR75/U75/500-12,5/Ūdens	UAR75	U75	U75	500	Ūdens	12,5	97,5	14,0	-	5370	-
674	UAR75/U75/500-12,5/Uguns+	UAR75	U75	U75	500	Uguns Pluss	12,5	97,5	15,0	(R)EI15	5370	-
674	UAR75/U75/500-12,5/ŪdensUguns+	UAR75	U75	U75	500	Ūdens Uguns Pluss	12,5	97,5	15,0	(R)EI15	5370	-
674	UAR75/U75/500-12,5/Cietā	UAR75	U75	U75	500	Cietā	12,5	97,5	18,0	(R)EI15	4650	●
674	UAR75/U75/500-12,5/Hydro	UAR75	U75	U75	500	Hydro	12,5	97,5	16,0	(R)EI15	4650	●
674	UAR75/U75/500-15/Uguns+	UAR75	U75	U75	500	Uguns Pluss	15,0	100	18,0	(R)EI15	4650	-
674	UAR75/U75/500-15/Cietā	UAR75	U75	U75	500	Cietā	15,0	100	20,0	(R)EI15	4650	●
674	UAR75/U75/500-15/Hydro	UAR75	U75	U75	500	Hydro	15,0	100	18,0	(R)EI15	4650	●
674	UAR75/U75/500-18/Uguns+	UAR75	U75	U75	500	Uguns Pluss	18,0	103	19,0	(R)EI30	4650	-
676	UAR75/U75/500-25/Expert	UAR75	U75	U75	500	Expert	2x12,5	110	21,0	-	4120	-
676	UAR75/U75/500-25/Ūdens	UAR75	U75	U75	500	Ūdens	2x12,5	110	23,0	-	4120	-
676	UAR75/U75/500-25/Uguns+	UAR75	U75	U75	500	Uguns Pluss	2x12,5	110	25,0	(R)EI45	4120	-
676	UAR75/U75/500-25/ŪdensUguns+	UAR75	U75	U75	500	Ūdens Uguns Pluss	2x12,5	110	25,0	(R)EI45	4120	-
676	UAR75/U75/500-25/Cietā	UAR75	U75	U75	500	Cietā	2x12,5	110	31,0	(R)EI45	3480	●
676	UAR75/U75/500-25/Hydro	UAR75	U75	U75	500	Hydro	2x12,5	110	27,0	(R)EI45	3760	●
676	UAR75/U75/500-30/Uguns+	UAR75	U75	U75	500	Uguns Pluss	2x15,0	115	32,0	(R)EI60	3480	-
676	UAR75/U75/500-30/Cietā	UAR75	U75	U75	500	Cietā	2x15,0	115	36,0	(R)EI60	3260	●
676	UAR75/U75/500-30/Hydro	UAR75	U75	U75	500	Hydro	2x15,0	115	32,0	(R)EI60	3480	●
678	UAR75/U75/500-37,5/Uguns+	UAR75	U75	U75	500	Uguns Pluss	3x12,5	122,5	35,0	(R)EI60	3480	-
678	UAR75/U75/500-37,5/ŪdensUguns+	UAR75	U75	U75	500	Ūdens Uguns Pluss	3x12,5	122,5	35,0	(R)EI60	3480	-
678	UAR75/U75/500-37,5/Cietā	UAR75	U75	U75	500	Cietā	3x12,5	122,5	44,0	(R)EI60	3070	●
678	UAR75/U75/500-37,5/Hydro	UAR75	U75	U75	500	Hydro	3x12,5	122,5	38,0	(R)EI60	3260	●
678	UAR75/U75/500-40/Uguns+	UAR75	U75	U75	500	Uguns Pluss	2x12,5+15,0	125	39,0	(R)EI90	3260	-
678	UAR75/U75/500-40/Cietā	UAR75	U75	U75	500	Cietā	2x12,5+15,0	125	46,0	(R)EI90	2910	●
678	UAR75/U75/500-40/Hydro	UAR75	U75	U75	500	Hydro	2x12,5+15,0	125	41,0	(R)EI90	3070	●
678	UAR75/U75/500-60/Uguns+	UAR75	U75	U75	500	Uguns Pluss	4x15,0	145	60,0	(R)EI120	2660	-
678	UAR75/U75/500-60/Cietā	UAR75	U75	U75	500	Cietā	4x15,0	145	67,0	(R)EI120	2460	●
678	UAR75/U75/500-60/Hydro	UAR75	U75	U75	500	Hydro	4x15,0	145	60,0	(R)EI120	2660	●

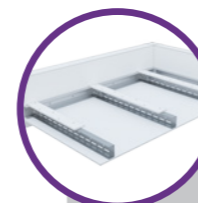
¹⁾ Ugunsdrošības klasifikācija LBO-458-K/17.
²⁾ Tehniskais atzinums ITB 1060/12/R33NK.



Lappuse	Sistēmas tips Nida Griesti	Režģa konstrukcija				Ģipša plākšņu apšuvums		Minimālais piekāršanas augstums	Būves svars 1 m²	Ugunsizturības klase ¹⁾	Maksimālais griestu apdares platums ²⁾	Īpašā sistēma
		Nida nesošā profila tips	Nida nesošā perimetra profila tips	Nida konstrukcijas perimetra profila tips	Maksimālais Nida UAR100 nesošo profilu atstatums	Nida	Biezums					
PAŠNESOŠO GRIESTU SISTĒMA AR NIDA UAR100/U100 PROFILIEM												
680	UAR100/U100/500-12,5/Expert	UAR100	U100	U100	500	Expert	12,5	122,5	14,0	-	5280	-
680	UAR100/U100/500-12,5/Ūdens	UAR100	U100	U100	500	Ūdens	12,5	122,5	14,0	-	5280	-
680	UAR100/U100/500-12,5/Uguns+	UAR100	U100	U100	500	Uguns Pluss	12,5	122,5	16,0	(R)EI15	4570	-
680	UAR100/U100/500-12,5/ŪdensUguns+	UAR100	U100	U100	500	Ūdens Uguns Pluss	12,5	122,5	16,0	(R)EI15	4570	-
680	UAR100/U100/500-12,5/Cietā	UAR100	U100	U100	500	Cietā	12,5	122,5	18,0	(R)EI15	4570	●
680	UAR100/U100/500-12,5/Hydro	UAR100	U100	U100	500	Hydro	12,5	122,5	16,0	(R)EI15	4570	●
680	UAR100/U100/500-15/Uguns+	UAR100	U100	U100	500	Uguns Pluss	15,0	125	19,0	(R)EI15	4570	-
680	UAR100/U100/500-15/Cietā	UAR100	U100	U100	500	Cietā	15,0	125	21,0	(R)EI15	4090	●
680	UAR100/U100/500-15/Hydro	UAR100	U100	U100	500	Hydro	15,0	125	19,0	(R)EI15	4570	●
680	UAR100/U100/500-18/Uguns+	UAR100	U100	U100	500	Uguns Pluss	18,0	128	20,0	(R)EI30	4570	-
682	UAR100/U100/500-25/Expert	UAR100	U100	U100	500	Expert	2x12,5	135	22,0	-	4830	-
682	UAR100/U100/500-25/Ūdens	UAR100	U100	U100	500	Ūdens	2x12,5	135	23,0	-	4830	-
682	UAR100/U100/500-25/Uguns+	UAR100	U100	U100	500	Uguns Pluss	2x12,5	135	26,0	(R)EI45	4410	-
682	UAR100/U100/500-25/ŪdensUguns+	UAR100	U100	U100	500	Ūdens Uguns Pluss	2x12,5	135	26,0	(R)EI45	4410	-
682	UAR100/U100/500-25/Cietā	UAR100	U100	U100	500	Cietā	2x12,5	135	31,0	(R)EI45	4090	●
682	UAR100/U100/500-25/Hydro	UAR100	U100	U100	500	Hydro	2x12,5	135	27,0	(R)EI45	4410	●
682	UAR100/U100/500-30/Uguns+	UAR100	U100	U100	500	Uguns Pluss	2x15,0	140	33,0	(R)EI60	4090	-
682	UAR100/U100/500-30/Cietā	UAR100	U100	U100	500	Cietā	2x15,0	140	37,0	(R)EI60	3820	●
682	UAR100/U100/500-30/Hydro	UAR100	U100	U100	500	Hydro	2x15,0	140	33,0	(R)EI60	4090	●
684	UAR100/U100/500-37,5/Uguns+	UAR100	U100	U100	500	Uguns Pluss	3x12,5	147,5	36,0	(R)EI60	3820	-
684	UAR100/U100/500-37,5/ŪdensUguns+	UAR100	U100	U100	500	Ūdens Uguns Pluss	3x12,5	147,5	36,0	(R)EI60	3820	-
684	UAR100/U100/500-37,5/Cietā	UAR100	U100	U100	500	Cietā	3x12,5	147,5	45,0	(R)EI60	3600	●
684	UAR100/U100/500-37,5/Hydro	UAR100	U100	U100	500	Hydro	3x12,5	147,5	39,0	(R)EI60	3820	●
684	UAR100/U100/500-40/Uguns+	UAR100	U100	U100	500	Uguns Pluss	2x12,5+15,0	150	40,0	(R)EI90	3820	-
684	UAR100/U100/500-40/Cietā	UAR100	U100	U100	500	Cietā	2x12,5+15,0	150	47,0	(R)EI90	3420	●
684	UAR100/U100/500-40/Hydro	UAR100	U100	U100	500	Hydro	2x12,5+15,0	150	41,0	(R)EI90	3600	●
684	UAR100/U100/500-60/Uguns+	UAR100	U100	U100	500	Uguns Pluss	4x15,0	170	60,0	(R)EI120	3120	-
684	UAR100/U100/500-60/Cietā	UAR100	U100	U100	500	Cietā	4x15,0	170	68,0	(R)EI120	2890	●
684	UAR100/U100/500-60/Hydro	UAR100	U100	U100	500	Hydro	4x15,0	170	60,0	(R)EI120	3120	●

¹⁾ Ugunsdrošības klasifikācija LBO-458-K/17.

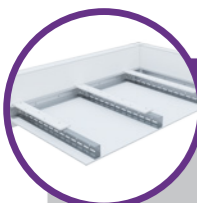
²⁾ Tehniskais atzinums ITB 1060/12/R33NK.



Lappuse	Sistēmas tips Nida Griesti	Režģa konstrukcija				Ģipša plākšņu apšuvums		Minimālais piekāršanas augstums	Būves svars 1 m²	Ugunsizturības klase ¹⁾	Maksimālais griestu apdares platums ²⁾	Īpašā sistēma
		Nida nesošā profila tips	Nida nesošā perimetra profila tips	Nida konstrukcijas perimetra profila tips	Maksimālais Nida UAR50 nesošo profilu atstatums	Nida	Biezums					
PAŠNESOŠO GRIESTU SISTĒMA AR NIDA UAR50/U50/PD PROFILIEM												
686	UAR50/U50/PD/500-12,5/Expert	UAR50	U50	U50	500	Expert	12,5	72,5	14,0	-	4990	-
686	UAR50/U50/PD/500-12,5/Ūdens	UAR50	U50	U50	500	Ūdens	12,5	72,5	15,0	-	4990	-
686	UAR50/U50/PD/500-12,5/Uguns+	UAR50	U50	U50	500	Uguns Pluss	12,5	72,5	17,0	(R)EI15	4310	-
686	UAR50/U50/PD/500-12,5/ŪdensUguns+	UAR50	U50	U50	500	Ūdens Uguns Pluss	12,5	72,5	17,0	(R)EI15	4310	-
686	UAR50/U50/PD/500-12,5/Cietā	UAR50	U50	U50	500	Cietā	12,5	72,5	21,0	(R)EI15	3860	●
686	UAR50/U50/PD/500-12,5/Hydro	UAR50	U50	U50	500	Hydro	12,5	72,5	18,0	(R)EI15	4310	●
686	UAR50/U50/PD/500-15/Uguns+	UAR50	U50	U50	500	Uguns Pluss	15,0	75	22,0	(R)EI15	3860	-
686	UAR50/U50/PD/500-15/Cietā	UAR50	U50	U50	500	Cietā	15,0	75	24,0	(R)EI15	3860	●
686	UAR50/U50/PD/500-15/Hydro	UAR50	U50	U50	500	Hydro	15,0	75	22,0	(R)EI15	3860	●
686	UAR50/U50/PD/500-18/Uguns+	UAR50	U50	U50	500	Uguns Pluss	18,0	78	23,0	(R)EI30	3860	-
688	UAR50/U50/PD/500-25/Expert	UAR50	U50	U50	500	Expert	2x12,5	85	23,0	-	4060	-
688	UAR50/U50/PD/500-25/Ūdens	UAR50	U50	U50	500	Ūdens	2x12,5	85	24,0	-	4060	-
688	UAR50/U50/PD/500-25/Uguns+	UAR50	U50	U50	500	Uguns Pluss	2x12,5	85	27,0	(R)EI45	3710	-
688	UAR50/U50/PD/500-25/ŪdensUguns+	UAR50	U50	U50	500	Ūdens Uguns Pluss	2x12,5	85	27,0	(R)EI45	3710	-
688	UAR50/U50/PD/500-25/Cietā	UAR50	U50	U50	500	Cietā	2x12,5	85	34,0	(R)EI45	3430	●
688	UAR50/U50/PD/500-25/Hydro	UAR50	U50	U50	500	Hydro	2x12,5	85	29,0	(R)EI45	3710	●
688	UAR50/U50/PD/500-30/Uguns+	UAR50	U50	U50	500	Uguns Pluss	2x15,0	90	35,0	(R)EI60	3430	-
688	UAR50/U50/PD/500-30/Cietā	UAR50	U50	U50	500	Cietā	2x15,0	90	40,0	(R)EI60	3210	●
688	UAR50/U50/PD/500-30/Hydro	UAR50	U50	U50	500	Hydro	2x15,0	90	35,0	(R)EI60	3430	●
690	UAR50/U50/PD/500-37,5/Uguns+	UAR50	U50	U50	500	Uguns Pluss	3x12,5	97,5	38,0	(R)EI60	3210	-
690	UAR50/U50/PD/500-37,5/ŪdensUguns+	UAR50	U50	U50	500	Ūdens Uguns Pluss	3x12,5	97,5	38,0	(R)EI60	3210	-
690	UAR50/U50/PD/500-37,5/Cietā	UAR50	U50	U50	500	Cietā	3x12,5	97,5	47,0	(R)EI60	2870	●
690	UAR50/U50/PD/500-37,5/Hydro	UAR50	U50	U50	500	Hydro	3x12,5	97,5	40,0	(R)EI60	3210	●
690	UAR50/U50/PD/500-40/Uguns+	UAR50	U50	U50	500	Uguns Pluss	2x12,5+15,0	100	41,0	(R)EI90	3030	-
690	UAR50/U50/PD/500-40/Cietā	UAR50	U50	U50	500	Cietā	2x12,5+15,0	100	49,0	(R)EI90	2870	●
690	UAR50/U50/PD/500-40/Hydro	UAR50	U50	U50	500	Hydro	2x12,5+15,0	100	43,0	(R)EI90	3030	●
690	UAR50/U50/PD/500-60/Uguns+	UAR50	U50	U50	500	Uguns Pluss	4x15,0	120	63,0	(R)EI120	2520	-
690	UAR50/U50/PD/500-60/Cietā	UAR50	U50	U50	500	Cietā	4x15,0	120	71,0	(R)EI120	2350	●
690	UAR50/U50/PD/500-60/Hydro	UAR50	U50	U50	500	Hydro	4x15,0	120	63,0	(R)EI120	2520	●

¹⁾ Ugunsdrošības klasifikācija LBO-458-K/17.

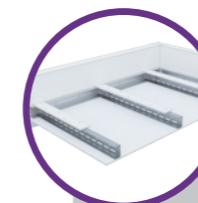
²⁾ Tehniskais atzinums ITB 1060/12/R33NK.



Lappuse	Sistēmas tips Nida Griesti	Režģa konstrukcija				Ģipša plākšņu apšuvums		Minimālais piekāršanas augstums	Būves svars 1 m ²	Ugunsizturības klase ¹⁾	Maksimālais griestu apdares platums ²⁾	Īpašā sistēma
		Nida nesošā profila tips	Nida nesošā perimetra profila tips	Nida konstrukcijas perimetra profila tips	Maksimālais Nida UAR75 nesošo profilu atstatums	Nida	Biezums					
PAŠNESOŠO GRIESTU SISTĒMA AR NIDA UAR75/U75/PD PROFILĒM												
692	UAR75/U75/PD/500-12,5/Expert	UAR75	U75	U75	500	Expert	12,5	97,5	15,0	-	5490	-
692	UAR75/U75/PD/500-12,5/Ūdens	UAR75	U75	U75	500	Ūdens	12,5	97,5	16,0	-	4750	-
692	UAR75/U75/PD/500-12,5/Uguns+	UAR75	U75	U75	500	Uguns Pluss	12,5	97,5	18,0	(R)EI15	4750	-
692	UAR75/U75/PD/500-12,5/ŪdensUguns+	UAR75	U75	U75	500	Ūdens Uguns Pluss	12,5	97,5	18,0	(R)EI15	4750	-
692	UAR75/U75/PD/500-12,5/Cietā	UAR75	U75	U75	500	Cietā	12,5	97,5	21,0	(R)EI15	4250	●
692	UAR75/U75/PD/500-12,5/Hydro	UAR75	U75	U75	500	Hydro	12,5	97,5	19,0	(R)EI15	4750	●
692	UAR75/U75/PD/500-15/Uguns+	UAR75	U75	U75	500	Uguns Pluss	15,0	100	22,0	(R)EI15	4250	-
692	UAR75/U75/PD/500-15/Cietā	UAR75	U75	U75	500	Cietā	15,0	100	25,0	(R)EI15	4250	●
692	UAR75/U75/PD/500-15/Hydro	UAR75	U75	U75	500	Hydro	15,0	100	22,0	(R)EI15	4250	●
692	UAR75/U75/PD/500-18/Uguns+	UAR75	U75	U75	500	Uguns Pluss	18,0	103	23,0	(R)EI30	4250	-
694	UAR75/U75/PD/500-25/Expert	UAR75	U75	U75	500	Expert	2x12,5	110	24,0	-	4470	-
694	UAR75/U75/PD/500-25/Ūdens	UAR75	U75	U75	500	Ūdens	2x12,5	110	25,0	-	4470	-
694	UAR75/U75/PD/500-25/Uguns+	UAR75	U75	U75	500	Uguns Pluss	2x12,5	110	28,0	(R)EI45	4080	-
694	UAR75/U75/PD/500-25/ŪdensUguns+	UAR75	U75	U75	500	Ūdens Uguns Pluss	2x12,5	110	28,0	(R)EI45	4080	-
694	UAR75/U75/PD/500-25/Cietā	UAR75	U75	U75	500	Cietā	2x12,5	110	35,0	(R)EI45	3780	●
694	UAR75/U75/PD/500-25/Hydro	UAR75	U75	U75	500	Hydro	2x12,5	110	30,0	(R)EI45	4080	●
694	UAR75/U75/PD/500-30/Uguns+	UAR75	U75	U75	500	Uguns Pluss	2x15,0	115	36,0	(R)EI60	3530	-
694	UAR75/U75/PD/500-30/Cietā	UAR75	U75	U75	500	Cietā	2x15,0	115	41,0	(R)EI60	3330	●
694	UAR75/U75/PD/500-30/Hydro	UAR75	U75	U75	500	Hydro	2x15,0	115	36,0	(R)EI60	3530	●
696	UAR75/U75/PD/500-37,5/Uguns+	UAR75	U75	U75	500	Uguns Pluss	3x12,5	122,5	38,0	(R)EI60	3530	-
696	UAR75/U75/PD/500-37,5/ŪdensUguns+	UAR75	U75	U75	500	Ūdens Uguns Pluss	3x12,5	122,5	38,0	(R)EI60	3530	-
696	UAR75/U75/PD/500-37,5/Cietā	UAR75	U75	U75	500	Cietā	3x12,5	122,5	48,0	(R)EI60	3160	●
696	UAR75/U75/PD/500-37,5/Hydro	UAR75	U75	U75	500	Hydro	3x12,5	122,5	41,0	(R)EI60	3330	●
696	UAR75/U75/PD/500-40/Uguns+	UAR75	U75	U75	500	Uguns Pluss	2x12,5+15,0	125	42,0	(R)EI90	3330	-
696	UAR75/U75/PD/500-40/Cietā	UAR75	U75	U75	500	Cietā	2x12,5+15,0	125	50,0	(R)EI90	3160	●
696	UAR75/U75/PD/500-40/Hydro	UAR75	U75	U75	500	Hydro	2x12,5+15,0	125	44,0	(R)EI90	3330	●
696	UAR75/U75/PD/500-60/Uguns+	UAR75	U75	U75	500	Uguns Pluss	4x15,0	145	64,0	(R)EI120	2770	-
696	UAR75/U75/PD/500-60/Cietā	UAR75	U75	U75	500	Cietā	4x15,0	145	72,0	(R)EI120	2580	●
696	UAR75/U75/PD/500-60/Hydro	UAR75	U75	U75	500	Hydro	4x15,0	145	64,0	(R)EI120	2770	●

¹⁾ Ugunsdrošības klasifikācija LBO-458-K/17.

²⁾ Tehniskais atzinums ITB 1060/12/R33NK.



Lappuse	Sistēmas tips Nida Griesti	Režģa konstrukcija				Ģipša plākšņu apšuvums		Minimālais piekāršanas augstums	Būves svars 1 m ²	Ugunsizturības klase ¹⁾	Maksimālais griestu apdares platums ²⁾	Īpašā sistēma
		Nida nesošā profila tips	Nida nesošā perimetra profila tips	Nida konstrukcijas perimetra profila tips	Maksimālais Nida UAR100 nesošo profilu atstatums	Nida	Biezums					
PAŠNESOŠO GRIESTU SISTĒMA AR NIDA UAR100/U100/PD PROFILĒM												
698	UAR100/U100/PD/500-12,5/Expert	UAR100	U100	U100	500	Expert	12,5	122,5	16,0	-	5900	-
698	UAR100/U100/PD/500-12,5/Ūdens ³⁾	UAR100	U100	U100	500	Ūdens	12,5	122,5	17,0	-	5900	-
698	UAR100/U100/PD/500-12,5/Uguns+	UAR100	U100	U100	500	Uguns Pluss	12,5	122,5	19,0	(R)EI15	5900	-
698	UAR100/U100/PD/500-12,5/ŪdensUguns+	UAR100	U100	U100	500	Ūdens Uguns Pluss	12,5	122,5	19,0	(R)EI15	5900	-
698	UAR100/U100/PD/500-12,5/Cietā	UAR100	U100	U100	500	Cietā	12,5	122,5	22,0	(R)EI15	5280	●
698	UAR100/U100/PD/500-12,5/Hydro	UAR100	U100	U100	500	Hydro	12,5	122,5	20,0	(R)EI15	5900	●
698	UAR100/U100/PD/500-15/Uguns+	UAR100	U100	U100	500	Uguns Pluss	15,0	125	23,0	(R)EI15	5280	-
698	UAR100/U100/PD/500-15/Cietā	UAR100	U100	U100	500	Cietā	15,0	125	26,0	(R)EI15	4820	●
698	UAR100/U100/PD/500-15/Hydro	UAR100	U100	U100	500	Hydro	15,0	125	23,0	(R)EI15	5280	●
698	UAR100/U100/PD/500-18/Uguns+	UAR100	U100	U100	500	Uguns Pluss	18,0	128	24,0	(R)EI30	5280	-
700	UAR100/U100/PD/500-12,5/Expert	UAR100	U100	U100	500	Expert	12,5	122,5	16,0	-	5900	-
700	UAR100/U100/PD/500-12,5/Ūdens ³⁾	UAR100	U100	U100	500	Ūdens	12,5	122,5	17,0	-	5900	-
700	UAR100/U100/PD/500-12,5/Uguns+	UAR100	U100	U100	500	Uguns Pluss	12,5	122,5	19,0	(R)EI15	5900	-
700	UAR100/U100/PD/500-12,5/ŪdensUguns+	UAR100	U100	U100	500	Ūdens Uguns Pluss	12,5	122,5	19,0	(R)EI15	5900	-
700	UAR100/U100/PD/500-12,5/Cietā	UAR100	U100	U100	500	Cietā	12,5	122,5	22,0	(R)EI15	5280	●
700	UAR100/U100/PD/500-12,5/Hydro	UAR100	U100	U100	500	Hydro	12,5	122,5	20,0	(R)EI15	5900	●
700	UAR100/U100/PD/500-15/Uguns+	UAR100	U100	U100	500	Uguns Pluss	15,0	125	23,0	(R)EI15	5280	-
700	UAR100/U100/PD/500-15/Cietā	UAR100	U100	U100	500	Cietā	15,0	125	26,0	(R)EI15	4820	●
700	UAR100/U100/PD/500-15/Hydro	UAR100	U100	U100	500	Hydro	15,0	125	23,0	(R)EI15	5280	●
700	UAR100/U100/PD/500-18/Uguns+	UAR100	U100	U100	500	Uguns Pluss	18,0	128	24,0	(R)EI30	5280	-
702	UAR100/U100/PD/500-37,5/Uguns+	UAR100	U100	U100	500	Uguns Pluss	3x12,5	147,5	39,0	(R)EI60	4390	-
702	UAR100/U100/PD/500-37,5/ŪdensUguns+	UAR100	U100	U100	500	Ūdens Uguns Pluss	3x12,5	147,5	39,0	(R)EI60	4390	-
702	UAR100/U100/PD/500-37,5/Cietā	UAR100	U100	U100	500	Cietā	3x12,5	147,5	48,0	(R)EI60	3920	●
702	UAR100/U100/PD/500-37,5/Hydro	UAR100	U100	U100	500	Hydro	3x12,5	147,5	42,0	(R)EI60	4140	●
702	UAR100/U100/PD/500-40/Uguns+	UAR100	U100	U100	500	Uguns Pluss	2x12,5+15,0	150	43,0	(R)EI90	4140	-
702	UAR100/U100/PD/500-40/Cietā	UAR100	U100	U100	500	Cietā	2x12,5+15,0	150	51,0	(R)EI90	3740	●
702	UAR100/U100/PD/500-40/Hydro	UAR100	U100	U100	500	Hydro	2x12,5+15,0	150	44,0	(R)EI90	4140	●
702	UAR100/U100/PD/500-60/Uguns+	UAR100	U100	U100	500	Uguns Pluss	4x15,0	170	64,0	(R)EI120	3440	-
702	UAR100/U100/PD/500-60/Cietā	UAR100	U100	U100	500	Cietā	4x15,0	170	73,0	(R)EI120	3200	●
702	UAR100/U100/PD/500-60/Hydro	UAR100	U100	U100	500	Hydro	4x15,0	170	64,0	(R)EI120	3440	●

¹⁾ Ugunsdrošības klasifikācija LBO-458-K/17.

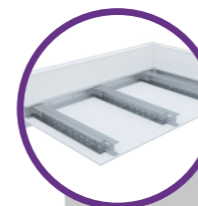
²⁾ Tehniskais atzinums ITB 1060/12/R33NK.



Lappuse	Sistēmas tips Nida Griesti	Režģa konstrukcija				Ģipša plākšņu apšuvums		Minimālais piekāršanas augstums [mm]	Būves svars 1 m ² [kg]	Ugunsizturības klase ¹⁾ [min.]	Maksimālais griestu apdares platums ²⁾ [mm]	Īpašā sistēma
		Nida nesošā profila tips	Nida nesošā perimetra profila tips	Nida konstrukcijas perimetra profila tips	Maksimālais Nida UAR50 nesošo profilu atstatums [mm]	Nida	Biezums					
PAŠNESOŠO GRIESTU SISTĒMA AR NIDA UARUAR50/U50 PROFILIEM												
704	UARUAR50/U50/500-12,5/Expert	2xUAR50	U50	U50	500	Expert	12,5	72,5	16,0	-	5240	-
704	UARUAR50/U50/500-12,5/Ūdens	2xUAR50	U50	U50	500	Ūdens	12,5	72,5	17,0	-	5240	-
704	UARUAR50/U50/500-12,5/Uguns+	2xUAR50	U50	U50	500	Uguns Pluss	12,5	72,5	18,0	(R)EI15	5240	-
704	UARUAR50/U50/500-12,5/ŪdensUguns+	2xUAR50	U50	U50	500	Ūdens Uguns Pluss	12,5	72,5	18,0	(R)EI15	5240	-
704	UARUAR50/U50/500-12,5/Cietā	2xUAR50	U50	U50	500	Cietā	12,5	72,5	21,0	(R)EI15	4680	●
704	UARUAR50/U50/500-12,5/Hydro	2xUAR50	U50	U50	500	Hydro	12,5	72,5	19,0	(R)EI15	5240	●
704	UARUAR50/U50/500-15/Uguns+	2xUAR50	U50	U50	500	Uguns Pluss	15,0	75	21,0	(R)EI15	4680	-
704	UARUAR50/U50/500-15/Cietā	2xUAR50	U50	U50	500	Cietā	15,0	75	23,0	(R)EI15	4680	●
704	UARUAR50/U50/500-15/Hydro	2xUAR50	U50	U50	500	Hydro	15,0	75	21,0	(R)EI15	4680	●
704	UARUAR50/U50/500-18/Uguns+	2xUAR50	U50	U50	500	Uguns Pluss	18,0	78	22,0	(R)EI30	4680	-
706	UARUAR50/U50/500-25/Expert	2xUAR50	U50	U50	500	Expert	2x12,5	85	24,0	-	4750	-
706	UARUAR50/U50/500-25/Ūdens	2xUAR50	U50	U50	500	Ūdens	2x12,5	85	26,0	-	4340	-
706	UARUAR50/U50/500-25/Uguns+	2xUAR50	U50	U50	500	Uguns Pluss	2x12,5	85	28,0	(R)EI45	4340	-
706	UARUAR50/U50/500-25/ŪdensUguns+	2xUAR50	U50	U50	500	Ūdens Uguns Pluss	2x12,5	85	28,0	(R)EI45	4340	-
706	UARUAR50/U50/500-25/Cietā	2xUAR50	U50	U50	500	Cietā	2x12,5	85	34,0	(R)EI45	4020	●
706	UARUAR50/U50/500-25/Hydro	2xUAR50	U50	U50	500	Hydro	2x12,5	85	30,0	(R)EI45	4340	●
706	UARUAR50/U50/500-30/Uguns+	2xUAR50	U50	U50	500	Uguns Pluss	2x15,0	90	35,0	(R)EI60	4020	-
706	UARUAR50/U50/500-30/Cietā	2xUAR50	U50	U50	500	Cietā	2x15,0	90	39,0	(R)EI60	3760	●
706	UARUAR50/U50/500-30/Hydro	2xUAR50	U50	U50	500	Hydro	2x15,0	90	35,0	(R)EI60	4020	●
708	UARUAR50/U50/500-37,5/Uguns+	2xUAR50	U50	U50	500	Uguns Pluss	3x12,5	97,5	38,0	(R)EI60	3760	-
708	UARUAR50/U50/500-37,5/ŪdensUguns+	2xUAR50	U50	U50	500	Ūdens Uguns Pluss	3x12,5	97,5	38,0	(R)EI60	3760	-
708	UARUAR50/U50/500-37,5/Cietā	2xUAR50	U50	U50	500	Cietā	3x12,5	97,5	47,0	(R)EI60	3360	●
708	UARUAR50/U50/500-37,5/Hydro	2xUAR50	U50	U50	500	Hydro	3x12,5	97,5	41,0	(R)EI60	3540	●
708	UARUAR50/U50/500-40/Uguns+	2xUAR50	U50	U50	500	Uguns Pluss	2x12,5+15,0	100	42,0	(R)EI90	3540	-
708	UARUAR50/U50/500-40/Cietā	2xUAR50	U50	U50	500	Cietā	2x12,5+15,0	100	49,0	(R)EI90	3360	●
708	UARUAR50/U50/500-40/Hydro	2xUAR50	U50	U50	500	Hydro	2x12,5+15,0	100	44,0	(R)EI90	3540	●
708	UARUAR50/U50/500-60/Uguns+	2xUAR50	U50	U50	500	Uguns Pluss	4x15,0	120	63,0	(R)EI120	2950	-
708	UARUAR50/U50/500-60/Cietā	2xUAR50	U50	U50	500	Cietā	4x15,0	120	70,0	(R)EI120	2840	●
708	UARUAR50/U50/500-60/Hydro	2xUAR50	U50	U50	500	Hydro	4x15,0	120	63,0	(R)EI120	2950	●

¹⁾ Ugunsdrošības klasifikācija LBO-458-K/17.

²⁾ Tehniskais atzinums ITB 1060/12/R33NK.



Lappuse	Sistēmas tips Nida Griesti	Režģa konstrukcija				Ģipša plākšņu apšuvums		Minimālais piekāršanas augstums [mm]	Būves svars 1 m ² [kg]	Ugunsizturības klase ¹⁾ [min.]	Maksimālais griestu apdares platums ²⁾ [mm]	Īpašā sistēma
		Nida nesošā profila tips	Nida nesošā perimetra profila tips	Nida konstrukcijas perimetra profila tips	Maksimālais Nida UAR75 nesošo profilu atstatums [mm]	Nida	Biezums					
PAŠNESOŠO GRIESTU SISTĒMA AR NIDA UARUAR75/U75 PROFILIEM												
710	UARUAR75/U75/500-12,5/Expert	2xUAR75	U75	U75	500	Expert	12,5	97,5	17,0	-	6500	-
710	UARUAR75/U75/500-12,5/Ūdens	2xUAR75	U75	U75	500	Ūdens	12,5	97,5	18,0	-	6500	-
710	UARUAR75/U75/500-12,5/Uguns+	2xUAR75	U75	U75	500	Uguns Pluss	12,5	97,5	19,0	(R)EI15	6500	-
710	UARUAR75/U75/500-12,5/ŪdensUguns+	2xUAR75	U75	U75	500	Ūdens Uguns Pluss	12,5	97,5	19,0	(R)EI15	6500	-
710	UARUAR75/U75/500-12,5/Cietā	2xUAR75	U75	U75	500	Cietā	12,5	97,5	22,0	(R)EI15	5810	●
710	UARUAR75/U75/500-12,5/Hydro	2xUAR75	U75	U75	500	Hydro	12,5	97,5	20,0	(R)EI15	6500	●
710	UARUAR75/U75/500-15/Uguns+	2xUAR75	U75	U75	500	Uguns Pluss	15,0	100	23,0	(R)EI15	5810	-
710	UARUAR75/U75/500-15/Cietā	2xUAR75	U75	U75	500	Cietā	15,0	100	25,0	(R)EI15	5810	●
710	UARUAR75/U75/500-15/Hydro	2xUAR75	U75	U75	500	Hydro	15,0	100	23,0	(R)EI15	5810	●
710	UARUAR75/U75/500-18/Uguns+	2xUAR75	U75	U75	500	Uguns Pluss	18,0	103	24,0	(R)EI30	5810	-
712	UARUAR75/U75/500-25/Expert	2xUAR75	U75	U75	500	Expert	2x12,5	110	26,0	-	5390	-
712	UARUAR75/U75/500-25/Ūdens	2xUAR75	U75	U75	500	Ūdens	2x12,5	110	27,0	-	5390	-
712	UARUAR75/U75/500-25/Uguns+	2xUAR75	U75	U75	500	Uguns Pluss	2x12,5	110	30,0	(R)EI45	5390	-
712	UARUAR75/U75/500-25/ŪdensUguns+	2xUAR75	U75	U75	500	Ūdens Uguns Pluss	2x12,5	110	30,0	(R)EI45	5390	-
712	UARUAR75/U75/500-25/Cietā	2xUAR75	U75	U75	500	Cietā	2x12,5	110	35,0	(R)EI45	4990	●
712	UARUAR75/U75/500-25/Hydro	2xUAR75	U75	U75	500	Hydro	2x12,5	110	31,0	(R)EI45	4990	●
712	UARUAR75/U75/500-30/Uguns+	2xUAR75	U75	U75	500	Uguns Pluss	2x15,0	115	37,0	(R)EI60	4670	-
712	UARUAR75/U75/500-30/Cietā	2xUAR75	U75	U75	500	Cietā	2x15,0	115	40,0	(R)EI60	4670	●
712	UARUAR75/U75/500-30/Hydro	2xUAR75	U75	U75	500	Hydro	2x15,0	115	37,0	(R)EI60	4670	●
714	UARUAR75/U75/500-37,5/Uguns+	2xUAR75	U75	U75	500	Uguns Pluss	3x12,5	122,5	40,0	(R)EI60	4670	-
714	UARUAR75/U75/500-37,5/ŪdensUguns+	2xUAR75	U75	U75	500	Ūdens Uguns Pluss	3x12,5	122,5	40,0	(R)EI60	4670	-
714	UARUAR75/U75/500-37,5/Cietā	2xUAR75	U75	U75	500	Cietā	3x12,5	122,5	48,0	(R)EI60	4180	●
714	UARUAR75/U75/500-37,5/Hydro	2xUAR75	U75	U75	500	Hydro	3x12,5	122,5	42,0	(R)EI60	4400	●
714	UARUAR75/U75/500-40/Uguns+	2xUAR75	U75	U75	500	Uguns Pluss	2x12,5+15,0	125	43,0	(R)EI90	4400	-
714	UARUAR75/U75/500-40/Cietā	2xUAR75	U75	U75	500	Cietā	2x12,5+15,0	125	51,0	(R)EI90	3980	●
714	UARUAR75/U75/500-40/Hydro	2xUAR75	U75	U75	500	Hydro	2x12,5+15,0	125	45,0	(R)EI90	4400	●
714	UARUAR75/U75/500-60/Uguns+	2xUAR75	U75	U75	500	Uguns Pluss	4x15,0	145	64,0	(R)EI120	3660	-
714	UARUAR75/U75/500-60/Cietā	2xUAR75	U75	U75	500	Cietā	4x15,0	145	72,0	(R)EI120	3410	●
714	UARUAR75/U75/500-60/Hydro	2xUAR75	U75	U75	500	Hydro	4x15,0	145	64,0	(R)EI120	3660	●

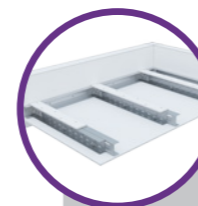
¹⁾ Ugunsdrošības klasifikācija LBO-458-K/17.

²⁾ Tehniskais atzinums ITB 1060/12/R33NK.



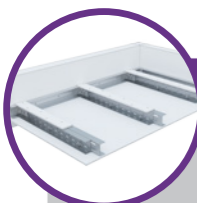
Lappuse	Sistēmas tips Nida Griesti	Režģa konstrukcija				Ģipša plākšņu apšuvums		Minimālais piekāršanas augstums	Būves svars 1m ²	Ugunsizturības klase ¹⁾	Maksimālais griestu apdares platums ²⁾	Ipašā sistēma	
		Nida nesošā profila tips	Nida nesošā perimetra profila tips	Nida konstrukcijas perimetra profila tips	Maksimālais Nida UAR100 nesošo profilu atstatums	Ģipša plākšņu apšuvums	Nida						Biezums
PAŠNESOŠO GRIESTU SISTĒMA AR NIDA UARUAR100/U100 PROFILIEM													
716	UARUAR100/U100/500-12,5/Expert	2xUAR100	U100	U100	500	Expert	12,5	122,5	19,0	-	7730	-	
716	UARUAR100/U100/500-12,5/Ūdens	2xUAR100	U100	U100	500	Ūdens	12,5	122,5	20,0	-	7730	-	
716	UARUAR100/U100/500-12,5/Uguns+	2xUAR100	U100	U100	500	Uguns Pluss	12,5	122,5	21,0	(R)EI15	6920	-	
716	UARUAR100/U100/500-12,5/ŪdensUguns+	2xUAR100	U100	U100	500	Ūdens Uguns Pluss	12,5	122,5	21,0	(R)EI15	6920	-	
716	UARUAR100/U100/500-12,5/Cietā	2xUAR100	U100	U100	500	Cietā	12,5	122,5	24,0	(R)EI15	6920	●	
716	UARUAR100/U100/500-12,5/Hydro	2xUAR100	U100	U100	500	Hydro	12,5	122,5	22,0	(R)EI15	6920	●	
716	UARUAR100/U100/500-15/Uguns+	2xUAR100	U100	U100	500	Uguns Pluss	15,0	125	24,0	(R)EI15	6920	-	
716	UARUAR100/U100/500-15/Cietā	2xUAR100	U100	U100	500	Cietā	15,0	125	26,0	(R)EI15	6310	●	
716	UARUAR100/U100/500-15/Hydro	2xUAR100	U100	U100	500	Hydro	15,0	125	24,0	(R)EI15	6920	●	
716	UARUAR100/U100/500-18/Uguns+	2xUAR100	U100	U100	500	Uguns Pluss	18,0	128	25,0	(R)EI30	6920	-	
718	UARUAR100/U100/500-25/Expert	2xUAR100	U100	U100	500	Expert	2x12,5	135	27,0	-	6350	-	
718	UARUAR100/U100/500-25/Ūdens	2xUAR100	U100	U100	500	Ūdens	2x12,5	135	29,0	-	6350	-	
718	UARUAR100/U100/500-25/Uguns+	2xUAR100	U100	U100	500	Uguns Pluss	2x12,5	135	31,0	(R)EI45	5880	-	
718	UARUAR100/U100/500-25/ŪdensUguns+	2xUAR100	U100	U100	500	Ūdens Uguns Pluss	2x12,5	135	31,0	(R)EI45	5880	-	
718	UARUAR100/U100/500-25/Cietā	2xUAR100	U100	U100	500	Cietā	2x12,5	135	37,0	(R)EI45	5500	●	
718	UARUAR100/U100/500-25/Hydro	2xUAR100	U100	U100	500	Hydro	2x12,5	135	33,0	(R)EI45	5880	●	
718	UARUAR100/U100/500-30/Uguns+	2xUAR100	U100	U100	500	Uguns Pluss	2x15,0	140	38,0	(R)EI60	5500	-	
718	UARUAR100/U100/500-30/Cietā	2xUAR100	U100	U100	500	Cietā	2x15,0	140	42,0	(R)EI60	5180	●	
718	UARUAR100/U100/500-30/Hydro	2xUAR100	U100	U100	500	Hydro	2x15,0	140	38,0	(R)EI60	5500	●	
720	UARUAR100/U100/500-37,5/Uguns+	2xUAR100	U100	U100	500	Uguns Pluss	3x12,5	147,5	41,0	(R)EI60	5180	-	
720	UARUAR100/U100/500-37,5/ŪdensUguns+	2xUAR100	U100	U100	500	Ūdens Uguns Pluss	3x12,5	147,5	41,0	(R)EI60	5180	-	
720	UARUAR100/U100/500-37,5/Cietā	2xUAR100	U100	U100	500	Cietā	3x12,5	147,5	50,0	(R)EI60	4920	●	
720	UARUAR100/U100/500-37,5/Hydro	2xUAR100	U100	U100	500	Hydro	3x12,5	147,5	44,0	(R)EI60	5180	●	
720	UARUAR100/U100/500-40/Uguns+	2xUAR100	U100	U100	500	Uguns Pluss	2x12,5+15,0	150	45,0	(R)EI90	5180	-	
720	UARUAR100/U100/500-40/Cietā	2xUAR100	U100	U100	500	Cietā	2x12,5+15,0	150	52,0	(R)EI90	4690	●	
720	UARUAR100/U100/500-40/Hydro	2xUAR100	U100	U100	500	Hydro	2x12,5+15,0	150	47,0	(R)EI90	4920	●	
720	UARUAR100/U100/500-60/Uguns+	2xUAR100	U100	U100	500	Uguns Pluss	4x15,0	170	66,0	(R)EI120	4160	-	
720	UARUAR100/U100/500-60/Cietā	2xUAR100	U100	U100	500	Cietā	4x15,0	170	73,0	(R)EI120	4010	●	
720	UARUAR100/U100/500-60/Hydro	2xUAR100	U100	U100	500	Hydro	4x15,0	170	66,0	(R)EI120	4160	●	

¹⁾ Ugunsdrošības klasifikācija LBO-458-K/17.
²⁾ Tehniskais atzinums ITB 1060/12/R33NK.



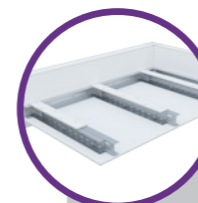
Lappuse	Sistēmas tips Nida Griesti	Režģa konstrukcija				Ģipša plākšņu apšuvums		Minimālais piekāršanas augstums	Būves svars 1m ²	Ugunsizturības klase ¹⁾	Maksimālais griestu apdares platums ²⁾	Ipašā sistēma	
		Nida nesošā profila tips	Nida nesošā perimetra profila tips	Nida konstrukcijas perimetra profila tips	Maksimālais Nida UAR50 nesošo profilu atstatums	Ģipša plākšņu apšuvums	Nida						Biezums
PAŠNESOŠO GRIESTU SISTĒMA AR NIDA UARUAR50/U50/PD PROFILIEM													
722	UARUAR50/U50/PD/500-12,5/Expert	2xUAR50	U50	U50	500	Expert	12,5	72,5	18,0	-	6830	-	
722	UARUAR50/U50/PD/500-12,5/Ūdens	2xUAR50	U50	U50	500	Ūdens	12,5	72,5	19,0	-	6830	-	
722	UARUAR50/U50/PD/500-12,5/Uguns+	2xUAR50	U50	U50	500	Uguns Pluss	12,5	72,5	21,0	(R)EI15	6110	-	
722	UARUAR50/U50/PD/500-12,5/ŪdensUguns+	2xUAR50	U50	U50	500	Ūdens Uguns Pluss	12,5	72,5	21,0	(R)EI15	6110	-	
722	UARUAR50/U50/PD/500-12,5/Cietā	2xUAR50	U50	U50	500	Cietā	12,5	72,5	24,0	(R)EI15	6110	●	
722	UARUAR50/U50/PD/500-12,5/Hydro	2xUAR50	U50	U50	500	Hydro	12,5	72,5	22,0	(R)EI15	6110	●	
722	UARUAR50/U50/PD/500-15/Uguns+	2xUAR50	U50	U50	500	Uguns Pluss	15,0	75	25,0	(R)EI15	6110	-	
722	UARUAR50/U50/PD/500-15/Cietā	2xUAR50	U50	U50	500	Cietā	15,0	75	28,0	(R)EI15	5580	●	
722	UARUAR50/U50/PD/500-15/Hydro	2xUAR50	U50	U50	500	Hydro	15,0	75	25,0	(R)EI15	6110	●	
722	UARUAR50/U50/PD/500-18/Uguns+	2xUAR50	U50	U50	500	Uguns Pluss	18,0	78	26,0	(R)EI30	5580	-	
724	UARUAR50/U50/PD/500-25/Expert	2xUAR50	U50	U50	500	Expert	2x12,5	85	27,0	-	5870	-	
724	UARUAR50/U50/PD/500-25/Ūdens	2xUAR50	U50	U50	500	Ūdens	2x12,5	85	28,0	-	5870	-	
724	UARUAR50/U50/PD/500-25/Uguns+	2xUAR50	U50	U50	500	Uguns Pluss	2x12,5	85	31,0	(R)EI45	5430	-	
724	UARUAR50/U50/PD/500-25/ŪdensUguns+	2xUAR50	U50	U50	500	Ūdens Uguns Pluss	2x12,5	85	31,0	(R)EI45	5430	-	
724	UARUAR50/U50/PD/500-25/Cietā	2xUAR50	U50	U50	500	Cietā	2x12,5	85	38,0	(R)EI45	5080	●	
724	UARUAR50/U50/PD/500-25/Hydro	2xUAR50	U50	U50	500	Hydro	2x12,5	85	33,0	(R)EI45	5430	●	
724	UARUAR50/U50/PD/500-30/Uguns+	2xUAR50	U50	U50	500	Uguns Pluss	2x15,0	90	39,0	(R)EI60	5080	-	
724	UARUAR50/U50/PD/500-30/Cietā	2xUAR50	U50	U50	500	Cietā	2x15,0	90	44,0	(R)EI60	4790	●	
724	UARUAR50/U50/PD/500-30/Hydro	2xUAR50	U50	U50	500	Hydro	2x15,0	90	39,0	(R)EI60	5080	●	
726	UARUAR50/U50/PD/500-37,5/Uguns+	2xUAR50	U50	U50	500	Uguns Pluss	3x12,5	97,5	41,0	(R)EI60	4790	-	
726	UARUAR50/U50/PD/500-37,5/ŪdensUguns+	2xUAR50	U50	U50	500	Ūdens Uguns Pluss	3x12,5	97,5	41,0	(R)EI60	4790	-	
726	UARUAR50/U50/PD/500-37,5/Cietā	2xUAR50	U50	U50	500	Cietā	3x12,5	97,5	51,0	(R)EI60	4330	●	
726	UARUAR50/U50/PD/500-37,5/Hydro	2xUAR50	U50	U50	500	Hydro	3x12,5	97,5	44,0	(R)EI60	4790	●	
726	UARUAR50/U50/PD/500-40/Uguns+	2xUAR50	U50	U50	500	Uguns Pluss	2x12,5+15,0	100	45,0	(R)EI90	4790	-	
726	UARUAR50/U50/PD/500-40/Cietā	2xUAR50	U50	U50	500	Cietā	2x12,5+15,0	100	53,0	(R)EI90	4330	●	
726	UARUAR50/U50/PD/500-40/Hydro	2xUAR50	U50	U50	500	Hydro	2x12,5+15,0	100	47,0	(R)EI90	4550	●	
726	UARUAR50/U50/PD/500-60/Uguns+	2xUAR50	U50	U50	500	Uguns Pluss	4x15,0	120	67,0	(R)EI120	3840	-	
726	UARUAR50/U50/PD/500-60/Cietā	2xUAR50	U50	U50	500	Cietā	4x15,0	120	75,0	(R)EI120	3710	●	
726	UARUAR50/U50/PD/500-60/Hydro	2xUAR50	U50	U50	500	Hydro	4x15,0	120	67,0	(R)EI120	3840	●	

¹⁾ Ugunsdrošības klasifikācija LBO-458-K/17.
²⁾ Tehniskais atzinums ITB 1060/12/R33NK.



Lappuse	Sistēmas tips Nida Griesti	Režģa konstrukcija				Ģipša plākšņu apšuvums		Minimālais piekāršanas augstums	Būves svars 1m ²	Ugunsizturības klase ¹⁾	Maksimālais griestu apdares platums ²⁾	Īpašā sistēma
		Nida nesošā profila tips	Nida nesošā perimetra profila tips	Nida konstrukcijas perimetra profila tips	Maksimālais Nida UAR75 nesošo profilu atstatums	Nida	Biezums					
PAŠNESOŠO GRIESTU SISTĒMA AR NIDA UARUAR75/U75/PD PROFILIEM												
728	UARUAR75/U75/PD/500-12,5/Expert	2xUAR75	U75	U75	500	Expert	12,5	97,5	20,0	-	6500	-
728	UARUAR75/U75/PD/500-12,5/Ūdens	2xUAR75	U75	U75	500	Ūdens	12,5	97,5	21,0	-	6500	-
728	UARUAR75/U75/PD/500-12,5/Uguns+	2xUAR75	U75	U75	500	Uguns Pluss	12,5	97,5	22,0	(R)EI15	6500	-
728	UARUAR75/U75/PD/500-12,5/ŪdensUguns+	2xUAR75	U75	U75	500	Ūdens Uguns Pluss	12,5	97,5	22,0	(R)EI15	6500	-
728	UARUAR75/U75/PD/500-12,5/Cietā	2xUAR75	U75	U75	500	Cietā	12,5	97,5	26,0	(R)EI15	5810	●
728	UARUAR75/U75/PD/500-12,5/Hydro	2xUAR75	U75	U75	500	Hydro	12,5	97,5	23,0	(R)EI15	6500	●
728	UARUAR75/U75/PD/500-15/Uguns+	2xUAR75	U75	U75	500	Uguns Pluss	15,0	100	27,0	(R)EI15	5810	-
728	UARUAR75/U75/PD/500-15/Cietā	2xUAR75	U75	U75	500	Cietā	15,0	100	29,0	(R)EI15	5810	●
728	UARUAR75/U75/PD/500-15/Hydro	2xUAR75	U75	U75	500	Hydro	15,0	100	27,0	(R)EI15	5810	●
728	UARUAR75/U75/PD/500-18/Uguns+	2xUAR75	U75	U75	500	Uguns Pluss	18,0	103	28,0	(R)EI30	5810	-
730	UARUAR75/U75/PD/500-25/Expert	2xUAR75	U75	U75	500	Expert	2x12,5	110	28,0	-	5390	-
730	UARUAR75/U75/PD/500-25/Ūdens	2xUAR75	U75	U75	500	Ūdens	2x12,5	110	30,0	-	5390	-
730	UARUAR75/U75/PD/500-25/Uguns+	2xUAR75	U75	U75	500	Uguns Pluss	2x12,5	110	33,0	(R)EI45	5390	-
730	UARUAR75/U75/PD/500-25/ŪdensUguns+	2xUAR75	U75	U75	500	Ūdens Uguns Pluss	2x12,5	110	33,0	(R)EI45	5390	-
730	UARUAR75/U75/PD/500-25/Cietā	2xUAR75	U75	U75	500	Cietā	2x12,5	110	39,0	(R)EI45	4990	●
730	UARUAR75/U75/PD/500-25/Hydro	2xUAR75	U75	U75	500	Hydro	2x12,5	110	35,0	(R)EI45	4990	●
730	UARUAR75/U75/PD/500-30/Uguns+	2xUAR75	U75	U75	500	Uguns Pluss	2x15,0	115	41,0	(R)EI60	4670	-
730	UARUAR75/U75/PD/500-30/Cietā	2xUAR75	U75	U75	500	Cietā	2x15,0	115	45,0	(R)EI60	4670	●
730	UARUAR75/U75/PD/500-30/Hydro	2xUAR75	U75	U75	500	Hydro	2x15,0	115	41,0	(R)EI60	4670	●
732	UARUAR75/U75/PD/500-37,5/Uguns+	2xUAR75	U75	U75	500	Uguns Pluss	3x12,5	122,5	43,0	(R)EI60	4670	-
732	UARUAR75/U75/PD/500-37,5/ŪdensUguns+	2xUAR75	U75	U75	500	Ūdens Uguns Pluss	3x12,5	122,5	43,0	(R)EI60	4670	-
732	UARUAR75/U75/PD/500-37,5/Cietā	2xUAR75	U75	U75	500	Cietā	3x12,5	122,5	52,0	(R)EI60	4180	●
732	UARUAR75/U75/PD/500-37,5/Hydro	2xUAR75	U75	U75	500	Hydro	3x12,5	122,5	46,0	(R)EI60	4400	●
732	UARUAR75/U75/PD/500-40/Uguns+	2xUAR75	U75	U75	500	Uguns Pluss	2x12,5+15,0	125	46,0	(R)EI90	4400	-
732	UARUAR75/U75/PD/500-40/Cietā	2xUAR75	U75	U75	500	Cietā	2x12,5+15,0	125	55,0	(R)EI90	3980	●
732	UARUAR75/U75/PD/500-40/Hydro	2xUAR75	U75	U75	500	Hydro	2x12,5+15,0	125	48,0	(R)EI90	4400	●
732	UARUAR75/U75/PD/500-60/Uguns+	2xUAR75	U75	U75	500	Uguns Pluss	4x15,0	145	68,0	(R)EI120	3660	-
732	UARUAR75/U75/PD/500-60/Cietā	2xUAR75	U75	U75	500	Cietā	4x15,0	145	76,0	(R)EI120	3410	●
732	UARUAR75/U75/PD/500-60/Hydro	2xUAR75	U75	U75	500	Hydro	4x15,0	145	68,0	(R)EI120	3660	●

¹⁾ Ugunsdrošības klasifikācija LBO-458-K/17.
²⁾ Tehniskais atzinums ITB 1060/12/R33NK.



Lappuse	Sistēmas tips Nida Griesti	Režģa konstrukcija				Ģipša plākšņu apšuvums		Minimālais piekāršanas augstums	Būves svars 1m ²	Ugunsizturības klase ¹⁾	Maksimālais griestu apdares platums ²⁾	Īpašā sistēma
		Nida nesošā profila tips	Nida nesošā perimetra profila tips	Nida konstrukcijas perimetra profila tips	Maksimālais Nida UAR100 nesošo profilu atstatums	Nida	Biezums					
PAŠNESOŠO GRIESTU SISTĒMA AR NIDA UARUAR100/U100/PD PROFILIEM												
734	UARUAR100/U100/PD/500-12,5/Expert	2xUAR100	U100	U100	500	Expert	12,5	122,5	21,0	-	6550	-
734	UARUAR100/U100/PD/500-12,5/Ūdens	2xUAR100	U100	U100	500	Ūdens	12,5	122,5	22,0	-	6550	-
734	UARUAR100/U100/PD/500-12,5/Uguns+	2xUAR100	U100	U100	500	Uguns Pluss	12,5	122,5	24,0	(R)EI15	6550	-
734	UARUAR100/U100/PD/500-12,5/ŪdensUguns+	2xUAR100	U100	U100	500	Ūdens Uguns Pluss	12,5	122,5	24,0	(R)EI15	6550	-
734	UARUAR100/U100/PD/500-12,5/Cietā	2xUAR100	U100	U100	500	Cietā	12,5	122,5	27,0	(R)EI15	5980	●
734	UARUAR100/U100/PD/500-12,5/Hydro	2xUAR100	U100	U100	500	Hydro	12,5	122,5	25,0	(R)EI15	6550	●
734	UARUAR100/U100/PD/500-15/Uguns+	2xUAR100	U100	U100	500	Uguns Pluss	15,0	125	28,0	(R)EI15	5980	-
734	UARUAR100/U100/PD/500-15/Cietā	2xUAR100	U100	U100	500	Cietā	15,0	125	31,0	(R)EI15	5540	●
734	UARUAR100/U100/PD/500-15/Hydro	2xUAR100	U100	U100	500	Hydro	15,0	125	28,0	(R)EI15	5980	●
734	UARUAR100/U100/PD/500-18/Uguns+	2xUAR100	U100	U100	500	Uguns Pluss	18,0	128	29,0	(R)EI30	5980	-
736	UARUAR100/U100/PD/500-25/Expert	2xUAR100	U100	U100	500	Expert	2x12,5	135	30,0	-	7120	-
736	UARUAR100/U100/PD/500-25/Ūdens	2xUAR100	U100	U100	500	Ūdens	2x12,5	135	31,0	-	6590	-
736	UARUAR100/U100/PD/500-25/Uguns+	2xUAR100	U100	U100	500	Uguns Pluss	2x12,5	135	34,0	(R)EI45	6590	-
736	UARUAR100/U100/PD/500-25/ŪdensUguns+	2xUAR100	U100	U100	500	Ūdens Uguns Pluss	2x12,5	135	34,0	(R)EI45	6590	-
736	UARUAR100/U100/PD/500-25/Cietā	2xUAR100	U100	U100	500	Cietā	2x12,5	135	41,0	(R)EI45	5810	●
736	UARUAR100/U100/PD/500-25/Hydro	2xUAR100	U100	U100	500	Hydro	2x12,5	135	36,0	(R)EI45	6170	●
736	UARUAR100/U100/PD/500-30/Uguns+	2xUAR100	U100	U100	500	Uguns Pluss	2x15,0	140	42,0	(R)EI60	5810	-
736	UARUAR100/U100/PD/500-30/Cietā	2xUAR100	U100	U100	500	Cietā	2x15,0	140	47,0	(R)EI60	5520	●
736	UARUAR100/U100/PD/500-30/Hydro	2xUAR100	U100	U100	500	Hydro	2x15,0	140	42,0	(R)EI60	5810	●
738	UARUAR100/U100/PD/500-37,5/Uguns+	2xUAR100	U100	U100	500	Uguns Pluss	3x12,5	147,5	44,0	(R)EI60	5810	-
738	UARUAR100/U100/PD/500-37,5/ŪdensUguns+	2xUAR100	U100	U100	500	Ūdens Uguns Pluss	3x12,5	147,5	44,0	(R)EI60	5810	-
738	UARUAR100/U100/PD/500-37,5/Cietā	2xUAR100	U100	U100	500	Cietā	3x12,5	147,5	54,0	(R)EI60	5260	●
738	UARUAR100/U100/PD/500-37,5/Hydro	2xUAR100	U100	U100	500	Hydro	3x12,5	147,5	47,0	(R)EI60	5520	●
738	UARUAR100/U100/PD/500-40/Uguns+	2xUAR100	U100	U100	500	Uguns Pluss	2x12,5+15,0	150	48,0	(R)EI90	5520	-
738	UARUAR100/U100/PD/500-40/Cietā	2xUAR100	U100	U100	500	Cietā	2x12,5+15,0	150	56,0	(R)EI90	5030	●
738	UARUAR100/U100/PD/500-40/Hydro	2xUAR100	U100	U100	500	Hydro	2x12,5+15,0	150	50,0	(R)EI90	5520	●
738	UARUAR100/U100/PD/500-60/Uguns+	2xUAR100	U100	U100	500	Uguns Pluss	4x15,0	170	70,0	(R)EI120	4660	-
738	UARUAR100/U100/PD/500-60/Cietā	2xUAR100	U100	U100	500	Cietā	4x15,0	170	78,0	(R)EI120	4360	●
738	UARUAR100/U100/PD/500-60/Hydro	2xUAR100	U100	U100	500	Hydro	4x15,0	170	70,0	(R)EI120	4660	●

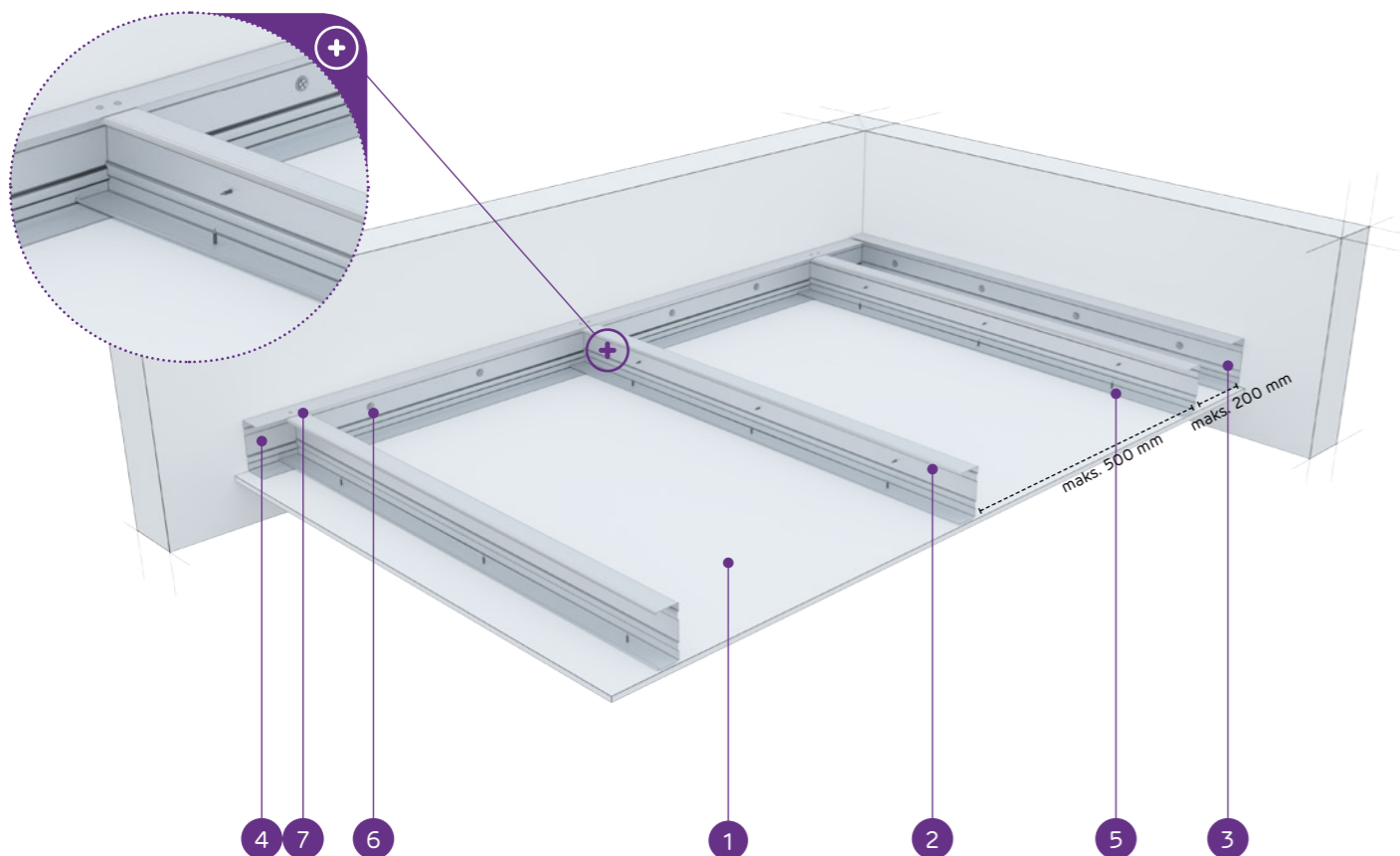
¹⁾ Ugunsdrošības klasifikācija LBO-458-K/17.
²⁾ Tehniskais atzinums ITB 1060/12/R33NK.

nida Griesti

Ugunsizturības
klase:
(R)EI15
(R)EI30Maksimālais
apdares
platums:
2720 mmMinimālais
piekāršanas
augstums:
60 mmBūves svars
1m²:
10,0-17,0 kgSaistītā
dokumenta
numurs:
EN13964:2004+A1Eksploatacijas īpašību deklarācija:
DoP/Ceiling System/0041/15.11.2016

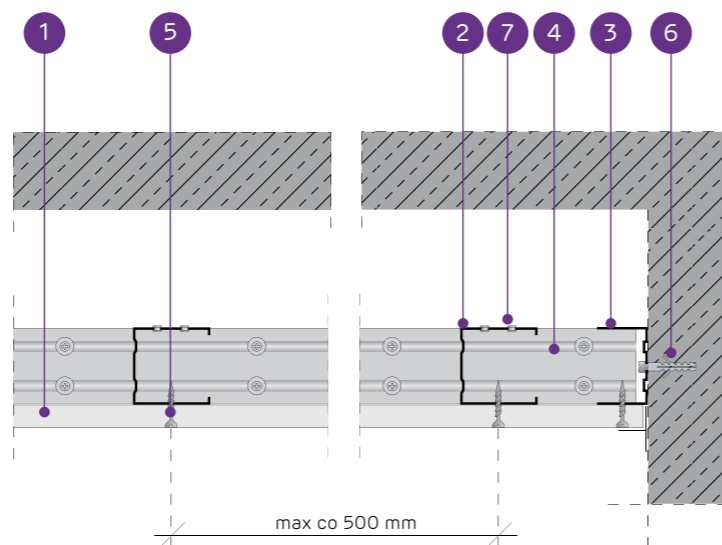
SISTĒMAS:

C50U50/500-12,5; C50U50/500-15; C50U50/500-18



MATERIĀLI:

1. Ģipškartona plāksnes Nida
2. Nesošais profils Nida C 50
3. Konstrukcijas profils Nida U 50
4. Nesošais profils Nida U 50
5. Pašurbjošā skrūve Nida 3,5 x 25 mm
6. Tērauda enkurošanas elements ar Tērauda paplāksni
7. Kniede



PAŠNESOŠO GRIESTU SISTĒMA AR NIDA C50 KONSTRUKCIJU

TEHNISKIE PARAMETRI

Sistēmas tips Nida Griesti	Režģa konstrukcija				Ģipša plākšņu apšuvums		Minimālais piekāršanas augstums	Būves svars 1 m ²	Ugunsizturības klase ¹⁾	Maksimālais griestu apdares platums ²⁾	Īpašā sistēma
	Nida nesošā profila tips	Nida nesošā perimetra profila tips	Nida konstrukcijas perimetra profila tips	Maksimālais Nida C50 nesošo profilu atstatums	Nida	Biezums					
C50/U50/500-12,5/Expert	C50	U50	U50	500	Expert	12,5	72,5	10,0	-	2720	-
C50/U50/500-12,5/Ūdens ³⁾	C50	U50	U50	500	Ūdens	12,5	72,5	11,0	-	2220	-
C50/U50/500-12,5/Uguns+	C50	U50	U50	500	Uguns Pluss	12,5	72,5	12,0	(R)EI15	2220	-
C50/U50/500-12,5/ŪdensUguns+	C50	U50	U50	500	Ūdens Uguns Pluss	12,5	72,5	12,0	(R)EI15	2220	-
C50/U50/500-12,5/Cietā	C50	U50	U50	500	Cietā	12,5	72,5	15,0	(R)EI15	2220	●
C50/U50/500-12,5/Hydro	C50	U50	U50	500	Hydro	12,5	72,5	13,0	(R)EI15	2220	●
C50/U50/500-15/Uguns+	C50	U50	U50	500	Uguns Pluss	15,0	75	15,0	(R)EI15	2220	-
C50/U50/500-15/Cietā	C50	U50	U50	500	Cietā	15,0	75	17,0	(R)EI15	1920	●
C50/U50/500-15/Hydro	C50	U50	U50	500	Hydro	15,0	75	15,0	(R)EI15	2220	●
C50/U50/500-18/Uguns+	C50	U50	U50	500	Uguns Pluss	18,0	78	16,0	(R)EI30	1920	-

¹⁾ Ugunsdrošības klasifikācija LBO-458-K/17.²⁾ Tehniskais atzinums ITB 1060/12/R33NK.³⁾ Telpās ar relatīvo gaisa mitrumu līdz 85 % stūra sekcijās pret intensīvu ūdens iedarbību ieteicams izmantot Nida Hydro ģipša šķiedru plāksnes (horizontālām un vertikālām virsmām vannas, dušas utt. zonās).MATERIĀLU PATĒRIŅŠ UZ 1 M² GRIESTU APBŪVES NIDA GRIESTI SISTĒMĀ

Materiāla nosaukums	Mērv.	Sistēmas tips Nida Griesti									
		C50/ U50/500- 12,5/ Expert	C50/ U50/500- 12,5/ Ūdens	C50/ U50/500- 12,5/ Uguns+	C50/ U50/500- 12,5/ ŪdensUguns+	C50/ U50/500- 12,5/ Cietā	C50/ U50/500- 12,5/ Hydro	C50/ U50/500- 15/ Uguns+	C50/ U50/500- 15/ Cietā	C50/ U50/500- 15/ Hydro	C50/ U50/500- 18/ Uguns+
		Materiāla patēriņš uz 1 m ²									
Plāksne Nida Expert 12,5 mm	m ²	1,0	-	-	-	-	-	-	-	-	-
Plāksne Nida Ūdens 12,5 mm	m ²	-	1,0	-	-	-	-	-	-	-	-
Plāksne Nida Uguns Pluss 12,5 mm	m ²	-	-	1,0	-	-	-	-	-	-	-
Plāksne Nida Ūdens Uguns Pluss 12,5 mm	m ²	-	-	-	1,0	-	-	-	-	-	-
Plāksne Nida Cietā 12,5 mm	m ²	-	-	-	-	1,0	-	-	-	-	-
Plāksne Nida Hydro 12,5 mm	m ²	-	-	-	-	-	1,0	-	-	-	-
Plāksne Nida Uguns Pluss 15,0 mm	m ²	-	-	-	-	-	-	1,0	-	-	-
Plāksne Nida Cietā 15,0 mm	m ²	-	-	-	-	-	-	-	1,0	-	-
Plāksne Nida Hydro 15,0 mm	m ²	-	-	-	-	-	-	-	-	1,0	-
Plāksne Nida Uguns Pluss 18,0 mm	m ²	-	-	-	-	-	-	-	-	-	1,0
Profils Nida C50	tek.m	2,2	2,2	2,2	2,2	2,2	2,2	2,2	2,2	2,2	2,2
Profils Nida U50	tek.m	0,75	0,75	0,75	0,75	0,75	0,75	0,75	0,75	0,75	0,75
Kniedes	gab.	2,8	2,8	2,8	2,8	2,8	2,8	2,8	2,8	2,8	2,8
Tērauda enkurošanas elements (tips atbilstoši būves svaram) ⁴⁾	gab.	1,7	1,7	1,7	1,7	1,7	1,7	1,7	1,7	1,7	1,7
Pašurbjošās skrūves Nida 3,5x25 mm	gab.	18,0	18,0	18,0	18,0	-	-	18,0	-	-	-
Pašurbjošās skrūves Nida 3,5x35 mm	gab.	-	-	-	-	-	-	-	-	-	18,0
Pašurbjošās skrūves Nida Cietā 35 (3,9x35 mm)	gab.	-	-	-	-	18,0	-	-	18,0	-	-
Pašurbjošās skrūves Nida Hydro C4 3,5x25 mm	gab.	-	-	-	-	-	18,0	-	-	18,0	-
Limlente šuvēm Nida	tek.m	1,4	1,4	1,4	1,4	1,4	1,4	1,4	1,4	1,4	1,4
Ģipša špaktele Nida Start	kg	0,3	0,3	0,3	0,3	-	-	0,3	-	-	0,3
Ģipša špaktele Nida Finisz	kg	0,1	0,1	0,1	0,1	-	-	0,1	-	-	0,1
Gatavā špaktelmasa Nida Hydromix ⁵⁾	kg	-	-	-	-	0,4	0,4	-	0,4	0,4	-

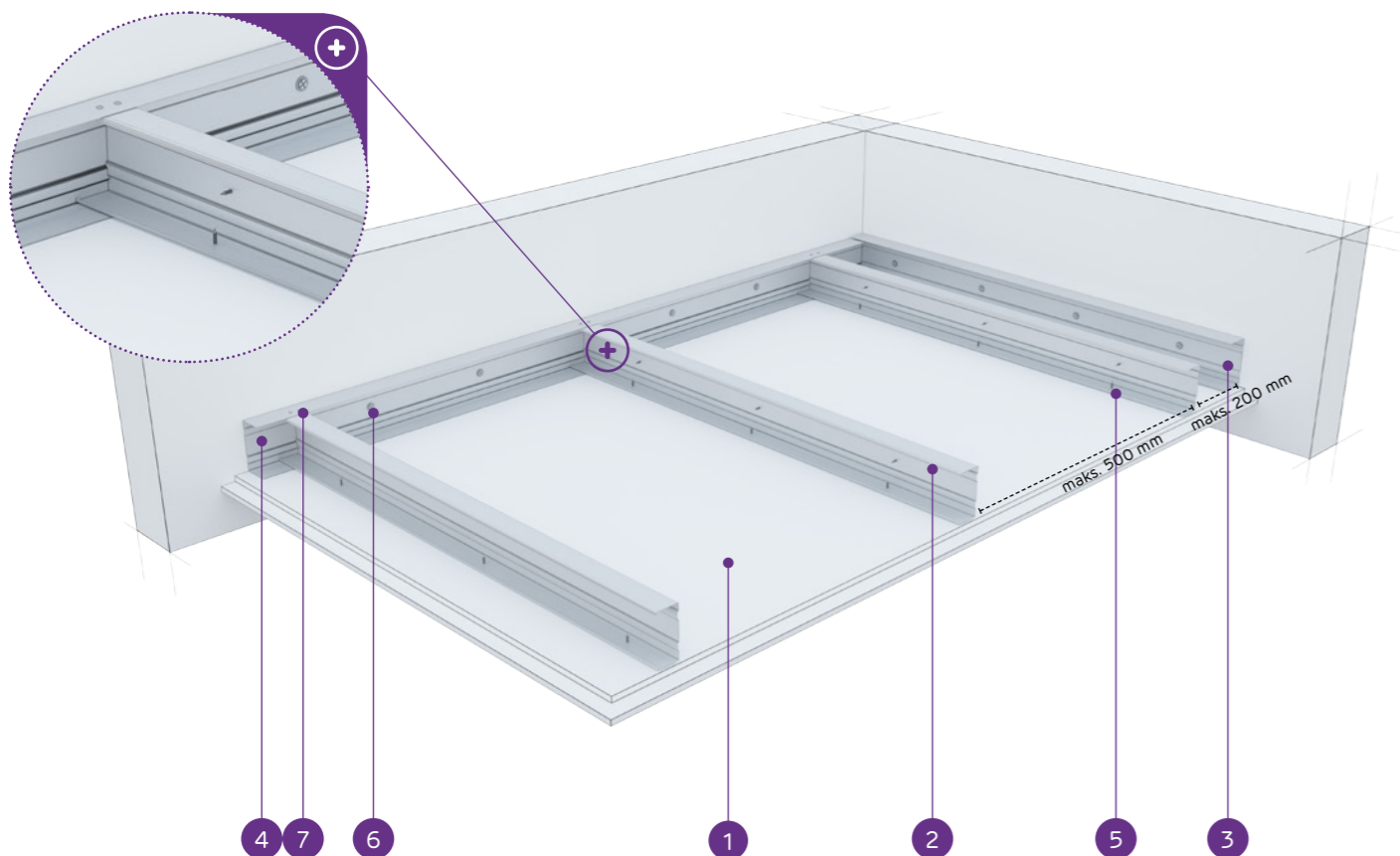
⁴⁾ Enkurošanas elementu tips un skaits jāizvēlas saskaņā ar shēmu, kas iekļauta ITB tehniskajā atzinumā Pašnesošie griesti: ITB 1060/12/R33NK.⁵⁾ Izmantojot ģipša šķiedru plāksnes Nida Cietā, kā alternatīvu varat izmantot arī Nida Planfix Fresh ģipša špakteļi. Patēriņa standartos nav ņemti vērā materiālie zaudējumi.

nida Griesti

Ugunsizturības
klase:
(R)EI45
(R)EI60Maksimālais
apdares
platums:
1740 mmMinimālais
piekāršanas
augstums:
60 mmBūves svars
1m²:
18,0-33,0 kgSaistītā
dokumenta
numurs:
EN13964:2004+A1Eksploatacijas īpašību deklarācija:
DoP/Ceiling System/0041/15.11.2016

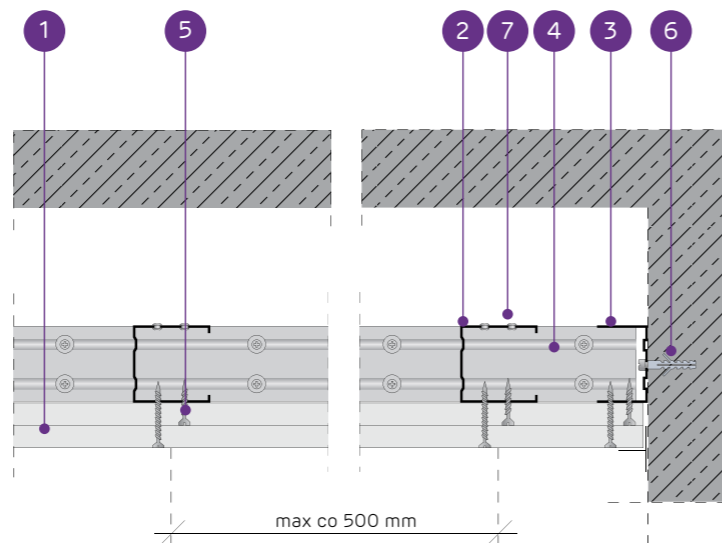
SISTĒMAS:

C50/U50/500-25; C50/U50/500-30



MATERIĀLI:

1. Ģipškartona plāksnes Nida
2. Nesošais profils Nida C 50
3. Konstrukcijas profils Nida U 50
4. Nesošais profils Nida U 50
5. Pašurbjošā skrūve Nida 3,5 x 25 mm
6. Tērauda enkurošanas elements ar Tērauda paplāksni
7. Kniede



PAŠNESOŠO GRIESTU SISTĒMA AR NIDA C50 KONSTRUKCIJU

TEHNISKIE PARAMETRI

Sistēmas tips Nida Griesti	Režģa konstrukcija				Ģipša plāksņu apšuvums		Minimālais piekāršanas augstums	Būves svars 1 m ²	Ugunsizturības klase ¹⁾	Maksimālais griestu apdares platums ²⁾	Īpašā sistē- ma	
	Nida nesošā profila tips	Nida nesošā perimetra profila tips	Nida konstruk- cijas perimetra profila tips	Maksimālais Nida C50 nesošo profilu atstatums	[mm]	Nida						Biezums
C50/U50/500-25/Expert	C50	U50	U50	500	Expert	2x12,5	85	18,0	-	1740	-	
C50/U50/500-25/Ūdens ³⁾	C50	U50	U50	500	Ūdens	2x12,5	85	20,0	-	1740	-	
C50/U50/500-25/Uguns+	C50	U50	U50	500	Uguns Pluss	2x12,5	85	22,0	(R)EI45	1560	-	
C50/U50/500-25/ŪdensUguns+	C50	U50	U50	500	Ūdens Uguns Pluss	2x12,5	85	22,0	(R)EI45	1560	-	
C50/U50/500-25/Cietā	C50	U50	U50	500	Cietā	2x12,5	85	28,0	(R)EI45	1420	●	
C50/U50/500-25/Hydro	C50	U50	U50	500	Hydro	2x12,5	85	24,0	(R)EI45	1560	●	
C50/U50/500-30/Uguns+	C50	U50	U50	500	Uguns Pluss	2x15,0	90	29,0	(R)EI60	1420	-	
C50/U50/500-30/Cietā	C50	U50	U50	500	Cietā	2x15,0	90	33,0	(R)EI60	1320	●	
C50/U50/500-30/Hydro	C50	U50	U50	500	Hydro	2x15,0	90	29,0	(R)EI60	1420	●	

¹⁾ Ugunsdrošības klasifikācija LBO-458-K/17.²⁾ Tehniskais atzinums ITB 1060/12/R33NK.³⁾ Telpās ar relatīvo gaisa mitrumu līdz 85% stūrītiem pret intensīvu ūdens iedarbību ieteicams izmantot Nida Hydro ģipša šķiedru plāksnes (horizontālām un vertikālām virsmām vannas, dušas utt. zonās).MATERIĀLU PATĒRIŅŠ UZ 1 M² GRIESTU APBŪVES NIDA GRIESTI SISTĒMĀ

Materiāla nosaukums	Mērv.	Sistēmas tips Nida Griesti									
		C50/ U50/500- 25/Expert	C50/ U50/500- 25/Ūdens	C50/ U50/500- 25/Uguns+	C50/ U50/500-25/ ŪdensUguns+	C50/ U50/500- 25/Cietā	C50/ U50/500- 25/Hydro	C50/ U50/500- 30/Uguns+	C50/ U50/500- 30/Cietā	C50/ U50/500- 30/Hydro	
		Materiāla patēriņš uz 1 m ²									
Plāksne Nida Expert 12,5 mm	m ²	2,0	-	-	-	-	-	-	-	-	
Plāksne Nida Ūdens 12,5 mm	m ²	-	2,0	-	-	-	-	-	-	-	
Plāksne Nida Uguns Pluss 12,5 mm	m ²	-	-	2,0	-	-	-	-	-	-	
Plāksne Nida Ūdens Uguns Pluss 12,5 mm	m ²	-	-	-	2,0	-	-	-	-	-	
Plāksne Nida Cietā 12,5 mm	m ²	-	-	-	-	2,0	-	-	-	-	
Plāksne Nida Hydro 12,5 mm	m ²	-	-	-	-	-	2,0	-	-	-	
Plāksne Nida Uguns Pluss 15,0 mm	m ²	-	-	-	-	-	-	2,0	-	-	
Plāksne Nida Cietā 15,0 mm	m ²	-	-	-	-	-	-	-	2,0	-	
Plāksne Nida Hydro 15,0 mm	m ²	-	-	-	-	-	-	-	-	2,0	
Profils Nida C50	tek.m	2,2	2,2	2,2	2,2	2,2	2,2	2,2	2,2	2,2	
Profils Nida U50	tek.m	0,75	0,75	0,75	0,75	0,75	0,75	0,75	0,75	0,75	
Kniedes	gab.	2,8	2,8	2,8	2,8	2,8	2,8	2,8	2,8	2,8	
Tērauda enkurošanas elements (tips atbilstoši būves svaram) ⁴⁾	gab.	1,7	1,7	1,7	1,7	1,7	1,7	1,7	1,7	1,7	
Pašurbjošās skrūves Nida 3,5x25 mm	gab.	6,0	6,0	6,0	6,0	-	-	6,0	-	-	
Pašurbjošās skrūves Nida 3,5x35 mm	gab.	18,0	18,0	18,0	18,0	-	-	-	-	-	
Pašurbjošās skrūves Nida 3,5x45 mm	gab.	-	-	-	-	-	-	18,0	-	-	
Pašurbjošās skrūves Nida Cietā 35 (3,9x35 mm)	gab.	-	-	-	-	24,0	-	-	6,0	-	
Pašurbjošās skrūves Nida Cietā 45 (3,9x45 mm)	gab.	-	-	-	-	-	-	-	18,0	-	
Pašurbjošās skrūves Nida Hydro C4 3,5x25 mm	gab.	-	-	-	-	-	6,0	-	-	6,0	
Pašurbjošās skrūves Nida Hydro C4 3,5x41 mm	gab.	-	-	-	-	-	18,0	-	-	18,0	
Līm lente šuvēm Nida	tek.m	1,4	1,4	1,4	1,4	1,4	1,4	1,4	1,4	1,4	
Ģipša špaktele Nida Start	kg	0,6	0,6	0,6	0,6	-	-	0,6	-	-	
Ģipša špaktele Nida Finisz	kg	0,1	0,1	0,1	0,1	-	-	0,1	-	-	
Gatavā špaktelmasa Nida Hydromix ⁵⁾	kg	-	-	-	-	0,7	0,7	-	0,7	0,7	

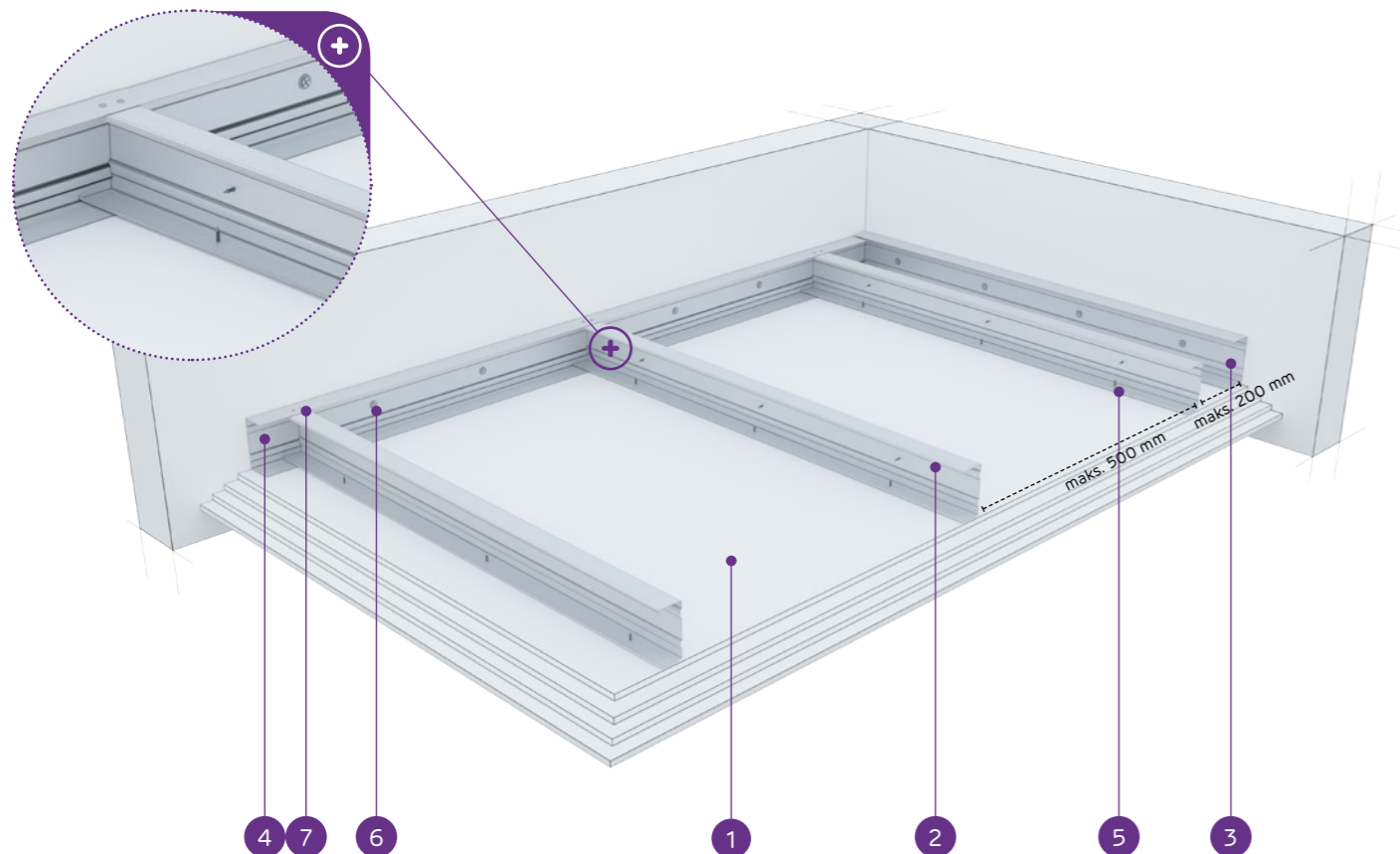
⁴⁾ Enkurošanas elementu tips un skaits jāizvēlas saskaņā ar shēmu, kas iekļauta ITB tehniskajā atzinumā Pašnesošie griesti: ITB 1060/12/R33NK.⁵⁾ Izmantojot ģipša šķiedru plāksnes Nida Cietā, kā alternatīvu varat izmantot arī Nida Planfix Fresh ģipša špakteļi. Patēriņa standartos nav ņemti vērā materiālie zaudējumi.

nida Griesti

Ugunsizturības
klase:
(R)EI60
(R)EI90
(R)EI120Maksimālais
apdares
platums:
1320 mmMinimālais
piekāršanas
augstums:
60 mmBūves svars
1m²:
33,0-64,0 kgSaistītā
dokumenta
numurs:
EN13964:2004+A1Eksploatacijas īpašību deklarācija:
DoP/Ceiling System/0041/15.11.2016

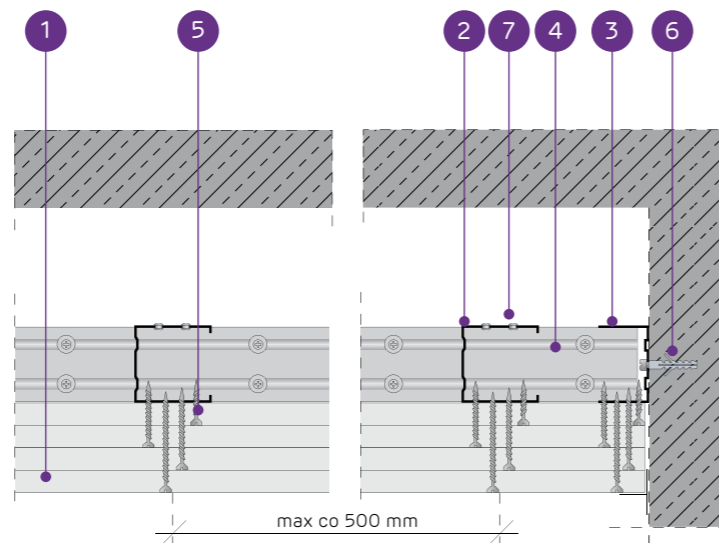
SISTĒMAS:

C50/U50/500-37,5; C50/U50/500-40; C50/U50/500-60



MATERIĀLI:

1. Ģipškartona plāksnes Nida
2. Nesošais profils Nida C 50
3. Konstrukcijas profils Nida U 50
4. Nesošais profils Nida U 50
5. Pašurbjošā skrūve Nida 3,5 x 25 mm
6. Tērauda enkurošanas elements ar Tērauda paplāksni
7. Kniede



PAŠNESOŠO GRIESTU SISTĒMA AR NIDA C50 KONSTRUKCIJU

TEHNISKIE PARAMETRI

Sistēmas tips Nida Griesti	Režģa konstrukcija				Ģipša plāksņu apšuvums		Minimālais piekāršanas augstums	Būves svars 1 m ²	Ugunsizturības klase ¹⁾	Maksimālais griestu apdares platums ²⁾	Īpašā sistē- ma
	Nida nesošā profila tips	Nida nesošā perimetra profila tips	Nida konstruk- cijas perimetra profila tips	Maksimālais Nida C50 nesošo profilu atstatums	Nida	Biezums					
			[mm]			[mm]	kg	[min.]	[mm]		
C50/U50/500-37,5/Uguns+	C50	U50	U50	500	Uguns Pluss	3x12,5	97,5	33,0	(R)EI60	1320	-
C50/U50/500-37,5/ŪdensUguns+	C50	U50	U50	500	Ūdens Uguns Pluss	3x12,5	97,5	33,0	(R)EI60	1320	-
C50/U50/500-37,5/Cietā	C50	U50	U50	500	Cietā	3x12,5	97,5	41,0	(R)EI60	1160	●
C50/U50/500-37,5/Hydro	C50	U50	U50	500	Hydro	3x12,5	97,5	35,0	(R)EI60	1320	●
C50/U50/500-40/Uguns+	C50	U50	U50	500	Uguns Pluss	2x12,5+15,0	100	36,0	(R)EI90	1230	-
C50/U50/500-40/Cietā	C50	U50	U50	500	Cietā	2x12,5+15,0	100	44,0	(R)EI90	1160	●
C50/U50/500-40/Hydro	C50	U50	U50	500	Hydro	2x12,5+15,0	100	38,0	(R)EI90	1230	●
C50/U50/500-60/Uguns+	C50	U50	U50	500	Uguns Pluss	4x15,0	120	57,0	(R)EI120	1010	-
C50/U50/500-60/Cietā	C50	U50	U50	500	Cietā	4x15,0	120	64,0	(R)EI120	970	●
C50/U50/500-60/Hydro	C50	U50	U50	500	Hydro	4x15,0	120	57,0	(R)EI120	1010	●

¹⁾ Ugunsdrošības klasifikācija LBO-458-K/17.²⁾ Tehniskais atzinums ITB 1060/12/R33NK.MATERIĀLU PATĒRIŅŠ UZ 1 M² GRIESTU APBŪVES NIDA GRIESTI SISTĒMĀ

Materiāla nosaukums	Mērv.	Sistēmas tips Nida Griesti									
		C50/ U50/500- 37,5/ Uguns+	C50/ U50/500- 37,5/ ŪdensUguns+	C50/ U50/500- 37,5/Cietā	C50/ U50/500- 37,5/Hydro	C50/ U50/500- 40/ Uguns+	C50/ U50/500- 40/Cietā	C50/ U50/500- 40/Hydro	C50/ U50/500- 60/ Uguns+	C50/ U50/500- 60/Cietā	C50/ U50/500- 60/Hydro
Materiāla patēriņš uz 1 m ²											
Plāksne Nida Uguns Pluss 12,5 mm	m ²	3,0	-	-	-	2,0	-	-	-	-	-
Plāksne Nida Ūdens Uguns Pluss 12,5 mm	m ²	-	3,0	-	-	-	-	-	-	-	-
Plāksne Nida Cietā 12,5 mm	m ²	-	-	3,0	-	-	2,0	-	-	-	-
Plāksne Nida Hydro 12,5 mm	m ²	-	-	-	3,0	-	-	2,0	-	-	-
Plāksne Nida Uguns Pluss 15,0 mm	m ²	-	-	-	-	1,0	-	-	4,0	-	-
Plāksne Nida Cietā 15,0 mm	m ²	-	-	-	-	-	1,0	-	-	4,0	-
Plāksne Nida Hydro 15,0 mm	m ²	-	-	-	-	-	-	1,0	-	-	4,0
Profils Nida C50	tek.m	2,2	2,2	2,2	2,2	2,2	2,2	2,2	2,2	2,2	2,2
Profils Nida U50	tek.m	0,75	0,75	0,75	0,75	0,75	0,75	0,75	0,75	0,75	0,75
Kniedes	gab.	2,8	2,8	2,8	2,8	2,8	2,8	2,8	2,8	2,8	2,8
Tērauda enkurošanas elements (tips atbilstoši būves svaram) ³⁾	gab.	1,7	1,7	1,7	1,7	1,7	1,7	1,7	1,7	1,7	1,7
Pašurbjošās skrūves Nida 3,5x25 mm	gab.	6,0	6,0	-	-	6,0	-	-	6,0	-	-
Pašurbjošās skrūves Nida 3,5x35 mm	gab.	6,0	6,0	-	-	6,0	-	-	-	-	-
Pašurbjošās skrūves Nida 3,5x45 mm	gab.	-	-	-	-	-	-	-	6,0	-	-
Pašurbjošās skrūves Nida 3,5x55 mm	gab.	18,0	18,0	-	-	18,0	-	-	6,0	-	-
Pašurbjošās skrūves Nida 4,2x70 mm	gab.	-	-	-	-	-	-	-	18,0	-	-
Pašurbjošās skrūves Nida Cietā 35 (3,9x35 mm)	gab.	-	-	12,0	-	-	12,0	-	-	6,0	-
Pašurbjošās skrūves Nida Cietā 45 (3,9x45 mm)	gab.	-	-	-	-	-	-	-	-	6,0	-
Pašurbjošās skrūves Nida Cietā 55 (3,9x55 mm)	gab.	-	-	18,0	-	-	18,0	-	-	6,0	-
Pašurbjošās skrūves Nida Cietā 70 (4,2x70 mm)	gab.	-	-	-	-	-	-	-	-	18,0	-
Pašurbjošās skrūves Nida Hydro C4 3,5x25 mm	gab.	-	-	-	6,0	-	-	6,0	-	-	6,0
Pašurbjošās skrūves Nida Hydro C4 3,5x41 mm	gab.	-	-	-	6,0	-	-	6,0	-	-	6,0
Pašurbjošās skrūves Nida Hydro C4 3,5x55 mm	gab.	-	-	-	18,0	-	-	18,0	-	-	6,0
Pašurbjošās skrūves Nida Hydro C4 4,2x70 mm	gab.	-	-	-	-	-	-	-	-	-	18,0
Līm lente šuvēm Nida	tek.m	1,4	1,4	1,4	1,4	1,4	1,4	1,4	1,4	1,4	1,4
Ģipša špaktele Nida Start	kg	0,9	0,9	-	-	0,9	-	-	1,2	-	-
Ģipša špaktele Nida Finisz	kg	0,1	0,1	-	-	0,1	-	-	0,1	-	-
Gatavā špaktelmasa Nida Hydromix ⁴⁾	kg	-	-	1,0	1,0	-	1,0	1,0	-	1,3	1,3

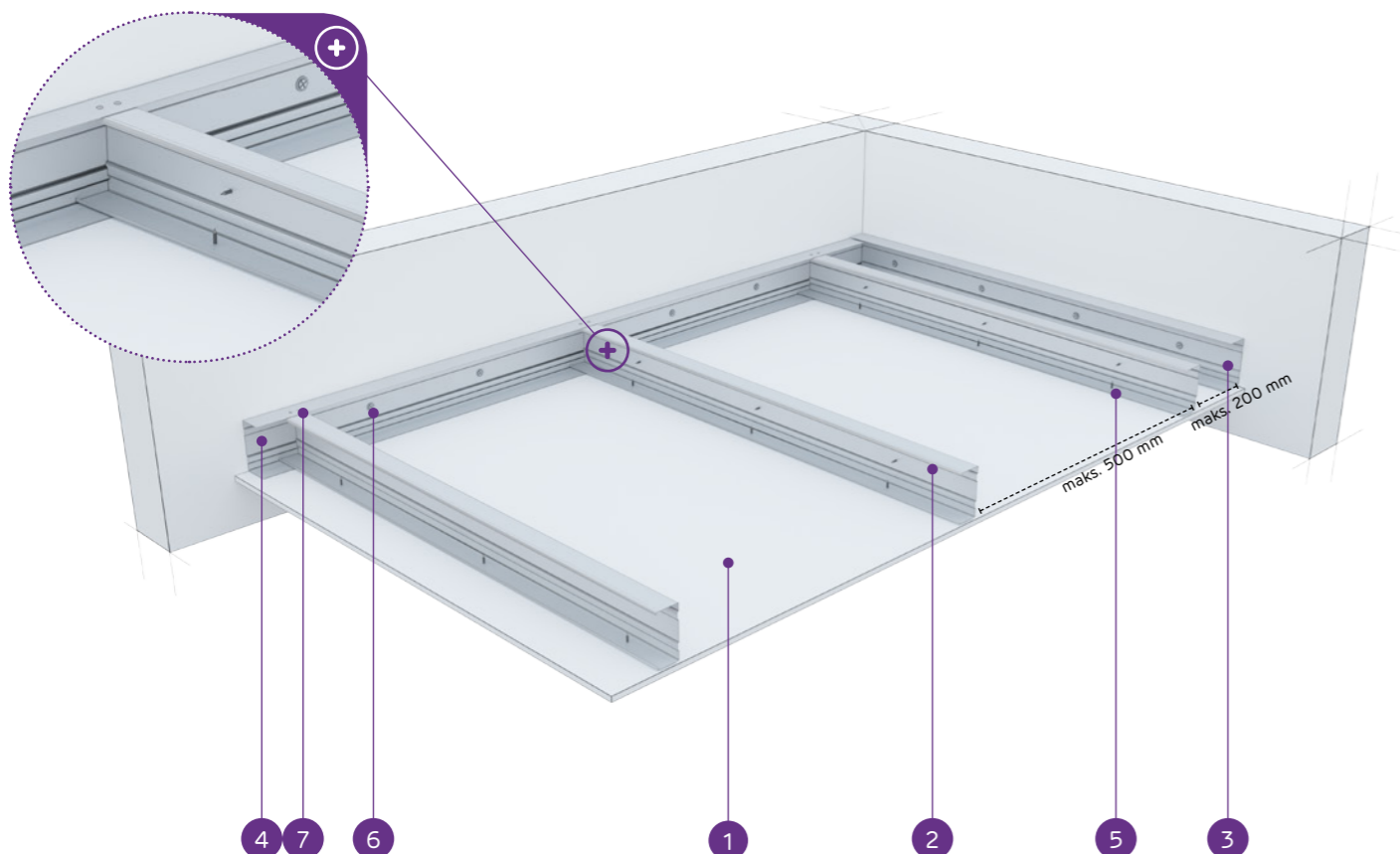
³⁾ Enkurošanas elementu tips un skaits jāizvēlas saskaņā ar shēmu, kas iekļauta ITB tehniskajā atzinumā Pašnesošie griesti: ITB 1060/12/R33NK.⁴⁾ Izmantojot ģipša šķiedru plāksnes Nida Cietā, kā alternatīvu varat izmantot arī Nida Planfix Fresh ģipša špakteļi. Patēriņa standartos nav ņemti vērā materiālie zaudējumi.

nida Griesti

Ugunsizturības
klase:
(R)E115
(R)E130Maksimālais
apdares
platums:
2840 mmMinimālais
piekāršanas
augstums:
85 mmBūves svars
1m²:
10,0-18,0 kgSaisītā
dokumenta
numurs:
EN13964:2004+A1Eksploatacijas īpašību deklarācija:
DoP/Ceiling System/0043/15.11.2016

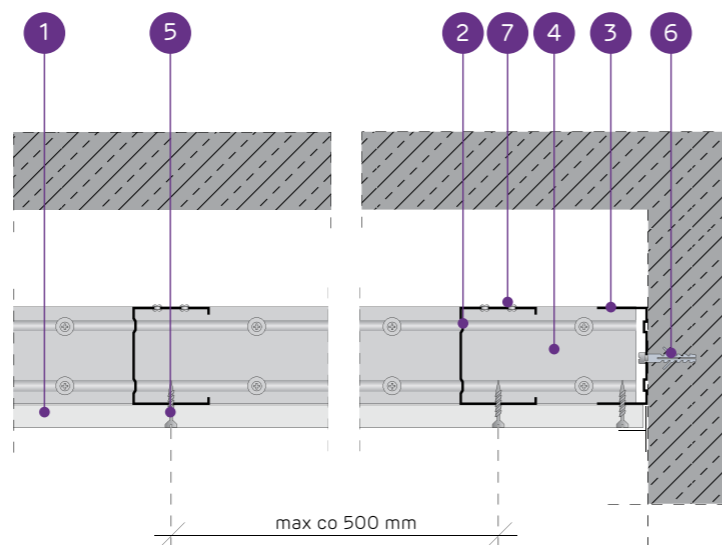
SISTĒMAS:

C75/U75/500-12,5; C75/U75K/500-15; C75/U75/500-18



MATERIĀLI:

1. Ģipškartona plāksnes Nida
2. Nesošais profils Nida C 75
3. Konstrukcijas profils Nida U 75
4. Nesošais profils Nida U 75
5. Pašurbjošā skrūve Nida 3,5 x 25 mm
6. Tērauda enkurošanas elements ar Tērauda paplāksni
7. Kniede



PAŠNESOŠO GRIESTU SISTĒMA AR NIDA C75 KONSTRUKCIJU

TEHNISKIE PARAMETRI

Sistēmas tips Nida Griesti	Režģa konstrukcija				Ģipša plākšņu apšuvums		Minimālais piekāršanas augstums [mm]	Būves svars 1 m ² kg	Ugunsizturības klase ¹⁾ [min.]	Maksimālais griestu apdares platums ²⁾ [mm]	Īpašā sistē- ma
	Nida nesošā profila tips	Nida nesošā perimetra profila tips	Nida konstruk- cijas perimetra profila tips	Maksimālais Nida C75 nesošo profilu atstatums [mm]	Nida	Biezums					
C75/U75/500-12,5/Expert	C75	U75	U75	500	Expert	12,5	97,5	10,0	-	2840	-
C75/U75/500-12,5/Ūdens ³⁾	C75	U75	U75	500	Ūdens	12,5	97,5	11,0	-	2320	-
C75/U75/500-12,5/Uguns+	C75	U75	U75	500	Uguns Pluss	12,5	97,5	12,0	(R)E115	2320	-
C75/U75/500-12,5/ŪdensUguns+	C75	U75	U75	500	Ūdens Uguns Pluss	12,5	97,5	12,0	(R)E115	2320	-
C75/U75/500-12,5/Cietā	C75	U75	U75	500	Cietā	12,5	97,5	15,0	(R)E115	2320	●
C75/U75/500-12,5/Hydro	C75	U75	U75	500	Hydro	12,5	97,5	13,0	(R)E115	2320	●
C75/U75/500-15/Uguns+	C75	U75	U75	500	Uguns Pluss	15,0	100	16,0	(R)E115	2000	-
C75/U75/500-15/Cietā	C75	U75	U75	500	Cietā	15,0	100	18,0	(R)E115	2000	●
C75/U75/500-15/Hydro	C75	U75	U75	500	Hydro	15,0	100	16,0	(R)E115	2000	●
C75/U75/500-18/Uguns+	C75	U75	U75	500	Uguns Pluss	18,0	103	16,0	(R)E130	2000	-

¹⁾ Ugunsdrošības klasifikācija LBO-458-K/17.²⁾ Tehniskais atzinums ITB 1060/12/R33NK.³⁾ Telpās ar relatīvo gaisa mitrumu līdz 85% stūra sekcijās pret intensīvu ūdens iedarbību ieteicams izmantot Nida Hydro ģipša šķiedru plāksnes (horizontālām un vertikālām virsmām vannas, dušas utt. zonās).MATERIĀLU PATĒRIŅŠ UZ 1 M² GRIESTU APBŪVES NIDA GRIESTI SISTĒMĀ

Materiāla nosaukums	Mērv.	Sistēmas tips Nida Griesti									
		C75/ U75/500- 12,5/ Expert	C75/ U75/500- 12,5/ Ūdens	C75/ U75/500- 12,5/ Uguns+	C75/ U75/500- 12,5/ ŪdensUguns+	C75/ U75/500- 12,5/ Cietā	C75/ U75/500- 12,5/ Hydro	C75/ U75/500- 15/ Uguns+	C75/ U75/500- 15/ Cietā	C75/ U75/500- 15/ Hydro	C75/ U75/500- 18/ Uguns+
Materiāla patēriņš uz 1 m ²											
Plāksne Nida Expert 12,5 mm	m ²	1,0	-	-	-	-	-	-	-	-	-
Plāksne Nida Ūdens 12,5 mm	m ²	-	1,0	-	-	-	-	-	-	-	-
Plāksne Nida Uguns Pluss 12,5 mm	m ²	-	-	1,0	-	-	-	-	-	-	-
Plāksne Nida Ūdens Uguns Pluss 12,5 mm	m ²	-	-	-	1,0	-	-	-	-	-	-
Plāksne Nida Cietā 12,5 mm	m ²	-	-	-	-	1,0	-	-	-	-	-
Plāksne Nida Hydro 12,5 mm	m ²	-	-	-	-	-	1,0	-	-	-	-
Plāksne Nida Uguns Pluss 15,0 mm	m ²	-	-	-	-	-	-	1,0	-	-	-
Plāksne Nida Cietā 15,0 mm	m ²	-	-	-	-	-	-	-	1,0	-	-
Plāksne Nida Hydro 15,0 mm	m ²	-	-	-	-	-	-	-	-	1,0	-
Plāksne Nida Uguns Pluss 18,0 mm	m ²	-	-	-	-	-	-	-	-	-	1,0
Profils Nida C75	tek.m	2,2	2,2	2,2	2,2	2,2	2,2	2,2	2,2	2,2	2,2
Profils Nida U75	tek.m	0,75	0,75	0,75	0,75	0,75	0,75	0,75	0,75	0,75	0,75
Kniedes	gab.	2,8	2,8	2,8	2,8	2,8	2,8	2,8	2,8	2,8	2,8
Tērauda enkurošanas elements (tips atbilstoši būves svaram) ⁴⁾	gab.	1,7	1,7	1,7	1,7	1,7	1,7	1,7	1,7	1,7	1,7
Pašurbjošās skrūves Nida 3,5x25 mm	gab.	18,0	18,0	18,0	18,0	-	-	18,0	-	-	-
Pašurbjošās skrūves Nida 3,5x35 mm	gab.	-	-	-	-	-	-	-	-	-	18,0
Pašurbjošās skrūves Nida Cietā 35 (3,9x35 mm)	gab.	-	-	-	-	18,0	-	-	18,0	-	-
Pašurbjošās skrūves Nida Hydro C4 3,5x25 mm	gab.	-	-	-	-	-	18,0	-	-	18,0	-
Limlente šuvēm Nida	tek.m	1,4	1,4	1,4	1,4	1,4	1,4	1,4	1,4	1,4	1,4
Ģipša špaktele Nida Start	kg	0,3	0,3	0,3	0,3	-	-	0,3	-	-	0,3
Ģipša špaktele Nida Finisz	kg	0,1	0,1	0,1	0,1	-	-	0,1	-	-	0,1
Gatavā špaktelmasa Nida Hydromix ⁵⁾	kg	-	-	-	-	0,4	0,4	-	0,4	0,4	-

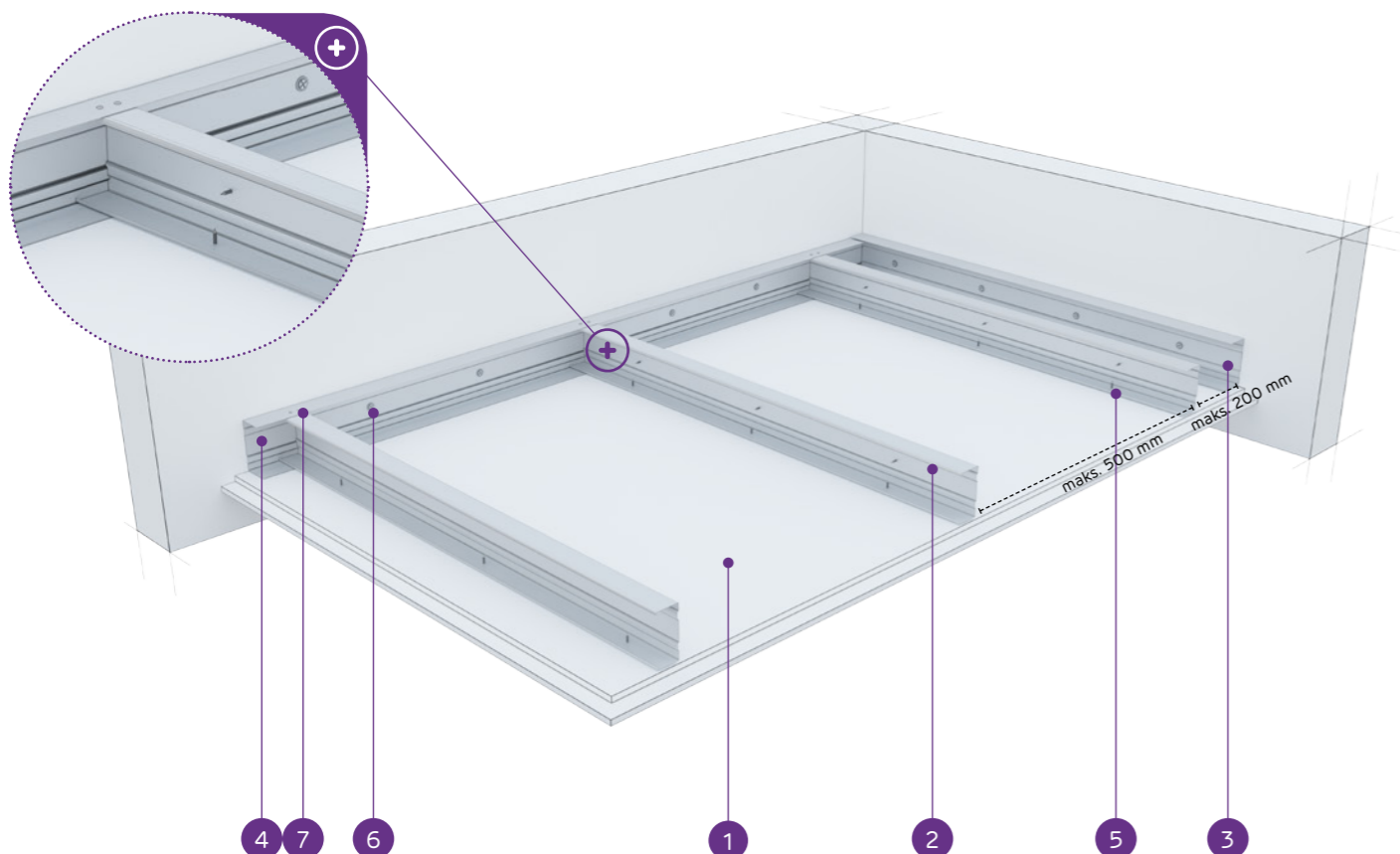
⁴⁾ Enkurošanas elementu tips un skaits jāizvēlas saskaņā ar shēmu, kas iekļauta ITB tehniskajā atzinumā Pašnesošie griesti: ITB 1060/12/R33NK.⁵⁾ Izmantojot ģipša šķiedru plāksnes Nida Cietā, kā alternatīvu varat izmantot arī Nida Planfix Fresh ģipša špakтели. Patēriņa standartos nav ņemti vērā materiālie zaudējumi.

nida Griesti

Ugunsizturības
klase:
(R)EI45
(R)EI60Maksimālais
apdares
platums:
2210 mmMinimālais
piekāršanas
augstums:
85 mmBūves svars
1m²:
19,0-33,0 kgSaistītā
dokumenta
numurs:
EN13964:2004+A1Eksploatacijas īpašību deklarācija:
DoP/Ceiling System/0043/15.11.2016

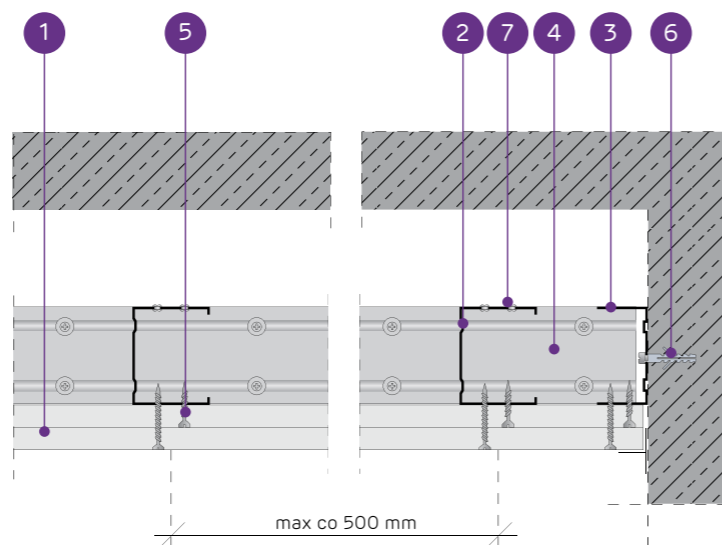
SISTĒMAS:

C75/U75/500-25; C75/U75/500-30



MATERIĀLI:

1. Ģipškartona plāksnes Nida
2. Nesošais profils Nida C 75
3. Konstrukcijas profils Nida U 75
4. Nesošais profils Nida U 75
5. Pašurbjošā skrūve Nida 3,5 x 25 mm
6. Tērauda enkurošanas elements ar Tērauda paplāksni
7. Kniede



PAŠNESOŠO GRIESTU SISTĒMA AR NIDA C75 KONSTRUKCIJU

TEHNISKIE PARAMETRI

Sistēmas tips Nida Griesti	Režģa konstrukcija				Ģipša plāksņu apšuvums		Minimālais piekāršanas augstums	Būves svars 1 m ²	Ugunsizturības klase ¹⁾	Maksimālais griestu apdares platums ²⁾	Īpašā sistē- ma
	Nida nesošā profila tips	Nida nesošā perimetra profila tips	Nida konstruk- cijas perimetra profila tips	Maksimālais Nida C75 nesošo profilu atstatums [mm]	Nida	Biezums					
C75/U75/500-25/Expert	C75	U75	U75	500	Expert	2x12,5	110	19,0	-	2210	-
C75/U75/500-25/Ūdens ³⁾	C75	U75	U75	500	Ūdens	2x12,5	110	20,0	-	2210	-
C75/U75/500-25/Uguns+	C75	U75	U75	500	Uguns Pluss	2x12,5	110	23,0	(R)EI45	1980	-
C75/U75/500-25/ŪdensUguns+	C75	U75	U75	500	Ūdens Uguns Pluss	2x12,5	110	23,0	(R)EI45	1980	-
C75/U75/500-25/Cietā	C75	U75	U75	500	Cietā	2x12,5	110	28,0	(R)EI45	1810	●
C75/U75/500-25/Hydro	C75	U75	U75	500	Hydro	2x12,5	110	24,0	(R)EI45	1980	●
C75/U75/500-30/Uguns+	C75	U75	U75	500	Uguns Pluss	2x15,0	115	30,0	(R)EI60	1810	-
C75/U75/500-30/Cietā	C75	U75	U75	500	Cietā	2x15,0	115	33,0	(R)EI60	1670	●
C75/U75/500-30/Hydro	C75	U75	U75	500	Hydro	2x15,0	115	30,0	(R)EI60	1810	●

¹⁾ Ugunsdrošības klasifikācija LBO-458-K/17.²⁾ Tehniskais atzinums ITB 1060/12/R33NK.³⁾ Telpās ar relatīvo gaisa mitrumu līdz 85 % stūra sekcijās pret intensīvu ūdens iedarbību ieteicams izmantot Nida Hydro ģipša šķiedru plāksnes (horizontālām un vertikālām virsmām vannas, dušas utt. zonās).MATERIĀLU PATĒRIŅŠ UZ 1 M² GRIESTU APBŪVES NIDA GRIESTI SISTĒMĀ

Materiāla nosaukums	Mērv.	Sistēmas tips Nida Griesti								
		C75/ U75/500- 25/Expert	C75/ U75/500- 25/Ūdens	C75/ U75/500- 25/Uguns+	C75/U75/500-25/ ŪdensUguns+	C75/ U75/500- 25/Cietā	C75/ U75/500- 25/Hydro	C75/ U75/500- 30/Uguns+	C75/ U75/500- 30/Cietā	C75/ U75/500- 30/Hydro
Materiāla patēriņš uz 1 m ²										
Plāksne Nida Expert 12,5 mm	m ²	2,0	-	-	-	-	-	-	-	-
Plāksne Nida Ūdens 12,5 mm	m ²	-	2,0	-	-	-	-	-	-	-
Plāksne Nida Uguns Pluss 12,5 mm	m ²	-	-	2,0	-	-	-	-	-	-
Plāksne Nida Ūdens Uguns Pluss 12,5 mm	m ²	-	-	-	2,0	-	-	-	-	-
Plāksne Nida Cietā 12,5 mm	m ²	-	-	-	-	2,0	-	-	-	-
Plāksne Nida Hydro 12,5 mm	m ²	-	-	-	-	-	2,0	-	-	-
Plāksne Nida Uguns Pluss 15,0 mm	m ²	-	-	-	-	-	-	2,0	-	-
Plāksne Nida Cietā 15,0 mm	m ²	-	-	-	-	-	-	-	2,0	-
Plāksne Nida Hydro 15,0 mm	m ²	-	-	-	-	-	-	-	-	2,0
Profils Nida C75	tek.m	2,2	2,2	2,2	2,2	2,2	2,2	2,2	2,2	2,2
Profils Nida U75	tek.m	0,75	0,75	0,75	0,75	0,75	0,75	0,75	0,75	0,75
Kniedes	gab.	2,8	2,8	2,8	2,8	2,8	2,8	2,8	2,8	2,8
Tērauda enkurošanas elements (tips atbilstoši būves svaram) ⁴⁾	gab.	1,7	1,7	1,7	1,7	1,7	1,7	1,7	1,7	1,7
Pašurbjošās skrūves Nida 3,5x25 mm	gab.	6,0	6,0	6,0	6,0	-	-	6,0	-	-
Pašurbjošās skrūves Nida 3,5x35 mm	gab.	18,0	18,0	18,0	18,0	-	-	-	-	-
Pašurbjošās skrūves Nida 3,5x45 mm	gab.	-	-	-	-	-	-	18,0	-	-
Pašurbjošās skrūves Nida Cietā 35 (3,9x35 mm)	gab.	-	-	-	-	24,0	-	-	6,0	-
Pašurbjošās skrūves Nida Cietā 45 (3,9x45 mm)	gab.	-	-	-	-	-	-	-	18,0	-
Pašurbjošās skrūves Nida Hydro C4 3,5x25 mm	gab.	-	-	-	-	-	6,0	-	-	6,0
Pašurbjošās skrūves Nida Hydro C4 3,5x41 mm	gab.	-	-	-	-	-	18,0	-	-	18,0
Līm lente šuvēm Nida	tek.m	1,4	1,4	1,4	1,4	1,4	1,4	1,4	1,4	1,4
Ģipša špaktele Nida Start	kg	0,6	0,6	0,6	0,6	-	-	0,6	-	-
Ģipša špaktele Nida Finisz	kg	0,1	0,1	0,1	0,1	-	-	0,1	-	-
Gatavā špaktele/masa Nida Hydromix ⁵⁾	kg	-	-	-	-	0,7	0,7	-	0,7	0,7

⁴⁾ Enkurošanas elementu tips un skaits jāizvēlas saskaņā ar shēmu, kas iekļauta ITB tehniskajā atzinumā Pašnesošie griesti: ITB 1060/12/R33NK.⁵⁾ Izmantojot ģipša šķiedru plāksnes Nida Cietā, kā alternatīvu varat izmantot arī Nida Planfix Fresh ģipša špakteļi.

Patēriņa standartos nav ņemti vērā materiālie zaudējumi.



nida Griesti

Ugunsizturības
klase:(R)EI60
(R)EI90
(R)EI120Maksimālais
apdares
platums:

1670 mm

Minimālais
piekāršanas
augstums:

85 mm

Būves svars
1m²:

27,0-65,0 kg

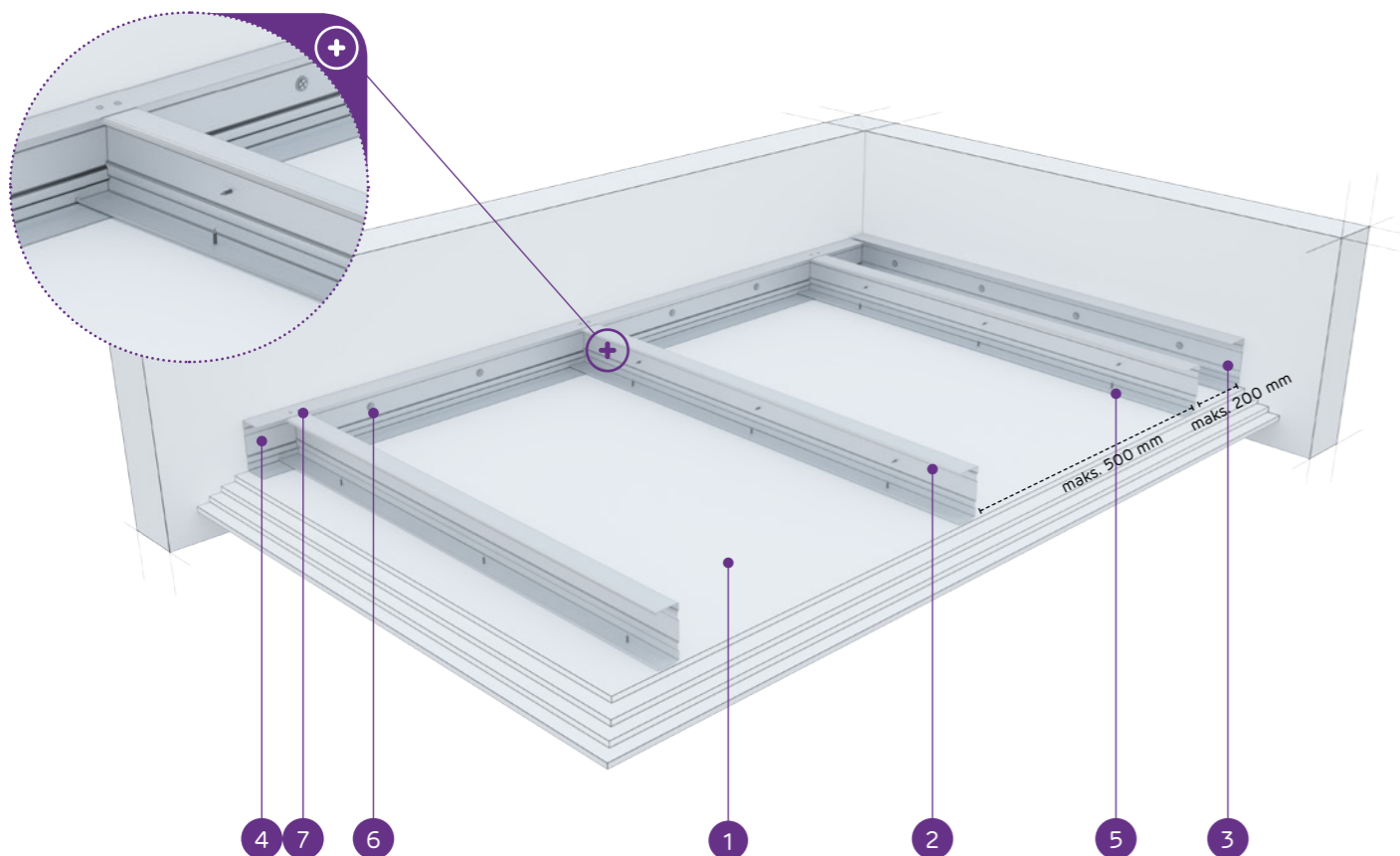
Saistītā
dokumenta
numurs:

EN13964:2004+A1

Eksploatacijas īpašību deklarācija:
DoP/Ceiling System/0043/15.11.2016

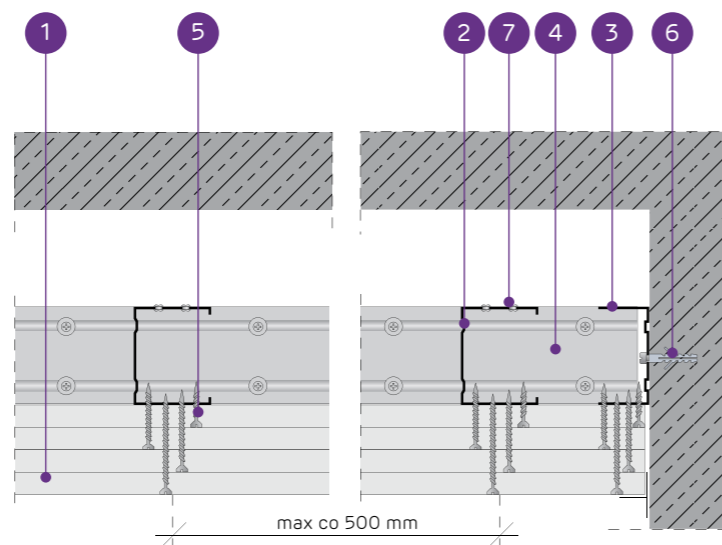
SISTĒMAS:

C75/U75/500-37,5; C75/U75/500-40; C75/U75/500-60



MATERIĀLI:

- Ģipškartona plāksnes Nida
- Nesošais profils Nida C 75
- Konstrukcijas profils Nida U 75
- Nesošais profils Nida U 75
- Pašurbjošā skrūve Nida 3,5 x 25 mm
- Tērauda enkurošanas elements ar Tērauda paplāksni
- Kniede



PAŠNESOŠO GRIESTU SISTĒMA AR NIDA C75 KONSTRUKCIJU

TEHNISKIE PARAMETRI

Sistēmas tips Nida Griesti	Režģa konstrukcija				Ģipša plāksņu apšuvums		Minimālais piekāršanas augstums	Būves svars 1 m ²	Ugunsizturības klase ¹⁾	Maksimālais griestu apdares platums ²⁾	Īpašā sistē- ma
	Nida nesošā profila tips	Nida nesošā perimetra profila tips	Nida konstruk- cijas perimetra profila tips	Maksimālais Nida C75 nesošo profilu atstatums	Nida	Biezums					
							[mm]	[mm]	kg	[min.]	[mm]
C75/U75/500-37,5/Uguns+	C75	U75	U75	500	Uguns Pluss	3x12,5	122,5	33,0	(R)EI60	1670	-
C75/U75/500-37,5/ŪdensUguns+	C75	U75	U75	500	Ūdens Uguns Pluss	3x12,5	122,5	33,0	(R)EI60	1670	-
C75/U75/500-37,5/Cietā	C75	U75	U75	500	Cietā	3x12,5	122,5	42,0	(R)EI60	1480	●
C75/U75/500-37,5/Hydro	C75	U75	U75	500	Hydro	3x12,5	122,5	35,0	(R)EI60	1670	●
C75/U75/500-40/Uguns+	C75	U75	U75	500	Uguns Pluss	2x12,5+15,0	125	36,0	(R)EI90	1570	-
C75/U75/500-40/Cietā	C75	U75	U75	500	Cietā	2x12,5+15,0	125	44,0	(R)EI90	1480	●
C75/U75/500-40/Hydro	C75	U75	U75	500	Hydro	2x12,5+15,0	125	38,0	(R)EI90	1570	●
C75/U75/500-60/Uguns+	C75	U75	U75	500	Uguns Pluss	4x15,0	145	57,0	(R)EI120	1280	-
C75/U75/500-60/Cietā	C75	U75	U75	500	Cietā	4x15,0	145	65,0	(R)EI120	1230	●
C75/U75/500-60/Hydro	C75	U75	U75	500	Hydro	4x15,0	145	57,0	(R)EI120	1280	●

¹⁾ Ugunsdrošības klasifikācija LBO-458-K/17.²⁾ Tehniskais atzinums ITB 1060/12/R33NK.MATERIĀLU PATĒRIŅŠ UZ 1 M² GRIESTU APBŪVES NIDA GRIESTI SISTĒMĀ

Materiāla nosaukums	Mērv.	Sistēmas tips Nida Griesti									
		C75/ U75/500- 37,5/ Uguns+	C75/ U75/500- 37,5/ ŪdensUguns+	C75/ U75/500- 37,5/ Cietā	C75/ U75/500- 37,5/ Hydro	C75/ U75/500- 40/ Uguns+	C75/ U75/500- 40/ Cietā	C75/ U75/500- 40/ Hydro	C75/ U75/500- 60/ Uguns+	C75/ U75/500- 60/ Cietā	C75/ U75/500- 60/ Hydro
		Materiāla patēriņš uz 1 m ²									
Plāksne Nida Uguns Pluss 12,5 mm	m ²	3,0	-	-	-	2,0	-	-	-	-	-
Plāksne Nida Ūdens Uguns Pluss 12,5 mm	m ²	-	3,0	-	-	-	-	-	-	-	-
Plāksne Nida Cietā 12,5 mm	m ²	-	-	3,0	-	-	2,0	-	-	-	-
Plāksne Nida Hydro 12,5 mm	m ²	-	-	-	3,0	-	-	2,0	-	-	-
Plāksne Nida Uguns Pluss 15,0 mm	m ²	-	-	-	-	1,0	-	-	4,0	-	-
Plāksne Nida Cietā 15,0 mm	m ²	-	-	-	-	-	1,0	-	-	4,0	-
Plāksne Nida Hydro 15,0 mm	m ²	-	-	-	-	-	-	1,0	-	-	4,0
Profils Nida C75	tek.m	2,2	2,2	2,2	2,2	2,2	2,2	2,2	2,2	2,2	2,2
Profils Nida U75	tek.m	0,75	0,75	0,75	0,75	0,75	0,75	0,75	0,75	0,75	0,75
Kniedes	gab.	2,8	2,8	2,8	2,8	2,8	2,8	2,8	2,8	2,8	2,8
Tērauda enkurošanas elements (tips atbilstoši būves svaram) ³⁾	gab.	1,7	1,7	1,7	1,7	1,7	1,7	1,7	1,7	1,7	1,7
Pašurbjošās skrūves Nida 3,5x25 mm	gab.	6,0	6,0	-	-	6,0	-	-	6,0	-	-
Pašurbjošās skrūves Nida 3,5x35 mm	gab.	6,0	6,0	-	-	6,0	-	-	-	-	-
Pašurbjošās skrūves Nida 3,5x45 mm	gab.	-	-	-	-	-	-	-	6,0	-	-
Pašurbjošās skrūves Nida 3,5x55 mm	gab.	18,0	18,0	-	-	18,0	-	-	6,0	-	-
Pašurbjošās skrūves Nida 4,2x70 mm	gab.	-	-	-	-	-	-	-	18,0	-	-
Pašurbjošās skrūves Nida Cietā 35 (3,9x35 mm)	gab.	-	-	12,0	-	-	12,0	-	-	6,0	-
Pašurbjošās skrūves Nida Cietā 45 (3,9x45 mm)	gab.	-	-	-	-	-	-	-	-	6,0	-
Pašurbjošās skrūves Nida Cietā 55 (3,9x55 mm)	gab.	-	-	18,0	-	-	18,0	-	-	6,0	-
Pašurbjošās skrūves Nida Cietā 70 (4,2x70 mm)	gab.	-	-	-	-	-	-	-	-	18,0	-
Pašurbjošās skrūves Nida Hydro C4 3,5x25 mm	gab.	-	-	-	6,0	-	-	6,0	-	-	6,0
Pašurbjošās skrūves Nida Hydro C4 3,5x41 mm	gab.	-	-	-	6,0	-	-	6,0	-	-	6,0
Pašurbjošās skrūves Nida Hydro C4 3,5x55 mm	gab.	-	-	-	18,0	-	-	18,0	-	-	6,0
Pašurbjošās skrūves Nida Hydro C4 4,2x70 mm	gab.	-	-	-	-	-	-	-	-	-	18,0
Limlente šuvēm Nida	tek.m	1,4	1,4	1,4	1,4	1,4	1,4	1,4	1,4	1,4	1,4
Ģipša špaktele Nida Start	kg	0,9	0,9	-	-	0,9	-	-	1,2	-	-
Ģipša špaktele Nida Finisz	kg	0,1	0,1	-	-	0,1	-	-	0,1	-	-
Gatavā špaktele/masa Nida Hydromix ⁴⁾	kg	-	-	1,0	1,0	-	1,0	1,0	-	1,3	1,3

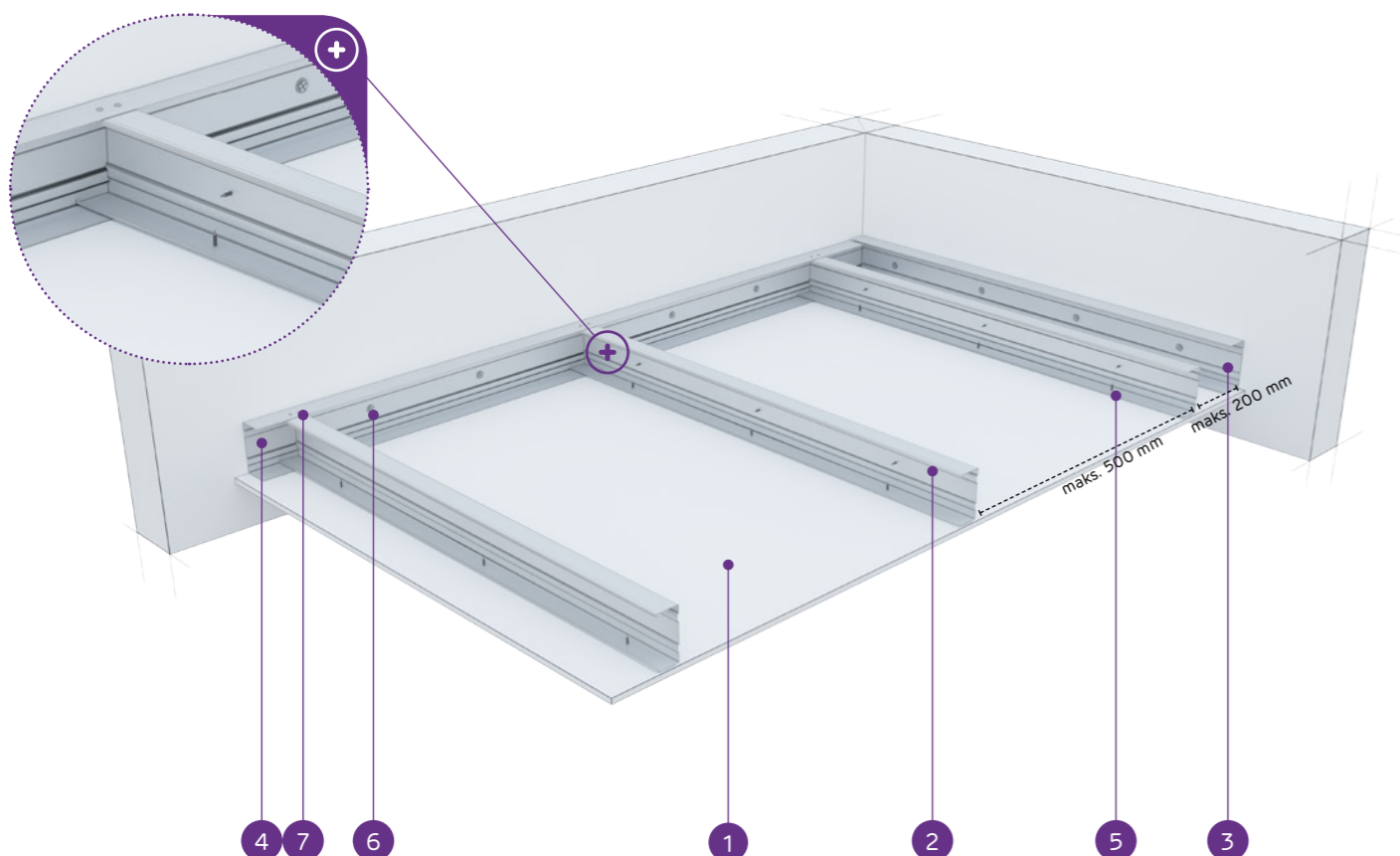
³⁾ Enkurošanas elementu tips un skaits jāizvēlas saskaņā ar shēmu, kas iekļauta ITB tehniskajā atzinumā Pašnesošie griesti: ITB 1060/12/R33NK.⁴⁾ Izmantojot ģipša šķiedru plāksnes Nida Cietā, kā alternatīvu varat izmantot arī Nida Planfix Fresh ģipša špakteļi. Patēriņa standartos nav ņemti vērā materiālie zaudējumi.

nida Griesti

Ugunsizturības
klase:
(R)EI15
(R)EI30Maksimālais
apdares
platums:
3400 mmMinimālais
piekāršanas
augstums:
110 mmBūves svars
1m²:
10,0-18,0 kgSaistītā
dokumenta
numurs:
EN13964:2004+A1Eksploatacijas īpašību deklarācija:
DoP/Ceiling System/0045/15.11.2016

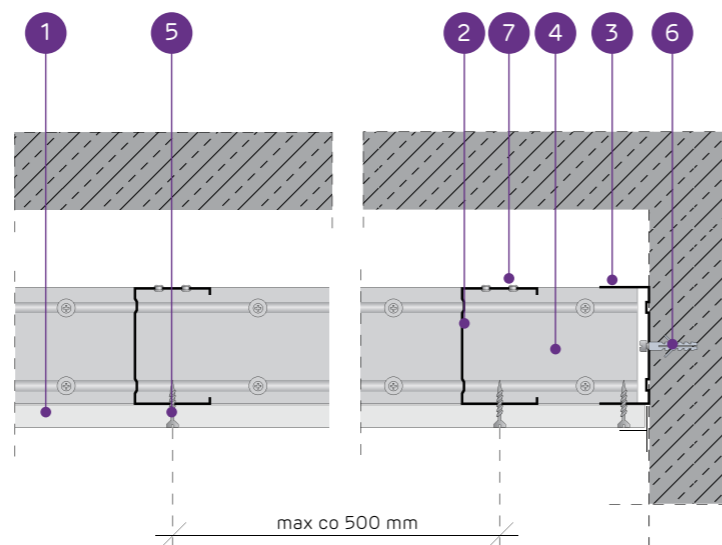
SISTĒMAS:

C100/U100/500-12,5; C100/U100/500-15; C100/U100/500-18



MATERIĀLI:

1. Ģipškartona plāksnes Nida
2. Nesošais profils Nida C 100
3. Konstrukcijas profils Nida U 100
4. Nesošais profils Nida U 100
5. Pašurbjošā skrūve Nida 3,5 x 25 mm
6. Tērauda enkurošanas elements ar Tērauda paplāksni
7. Kniede



PAŠNESOŠO GRIESTU SISTĒMA AR NIDA C100 KONSTRUKCIJU

TEHNISKIE PARAMETRI

Sistēmas tips Nida Griesti	Režģa konstrukcija				Ģipša plākšņu apšuvums		Minimālais piekāršanas augstums	Būves svars 1 m ²	Ugunsizturības klase ¹⁾	Maksimālais griestu apdares platums ²⁾	Īpašā sistē- ma
	Nida nesošā profila tips	Nida nesošā perimetra profila tips	Nida konstruk- cijas perimetra profila tips	Maksimālais Nida C100 nesošo profilu atstatums [mm]	Nida	Biezums					
C100/U100/500-12,5/Expert	C100	U100	U100	500	Expert	12,5	122,5	10,0	-	3400	-
C100/U100/500-12,5/Ūdens ³⁾	C100	U100	U100	500	Ūdens	12,5	122,5	11,0	-	2780	-
C100/U100/500-12,5/Uguns+	C100	U100	U100	500	Uguns Pluss	12,5	122,5	12,0	(R)EI15	2780	-
C100/U100/500-12,5/ŪdensUguns+	C100	U100	U100	500	Ūdens Uguns Pluss	12,5	122,5	12,0	(R)EI15	2780	-
C100/U100/500-12,5/Cietā	C100	U100	U100	500	Cietā	12,5	122,5	15,0	(R)EI15	2780	●
C100/U100/500-12,5/Hydro	C100	U100	U100	500	Hydro	12,5	122,5	13,0	(R)EI15	2780	●
C100/U100/500-15/Uguns+	C100	U100	U100	500	Uguns Pluss	15,0	125	16,0	(R)EI15	2410	-
C100/U100/500-15/Cietā	C100	U100	U100	500	Cietā	15,0	125	18,0	(R)EI15	2410	●
C100/U100/500-15/Hydro	C100	U100	U100	500	Hydro	15,0	125	16,0	(R)EI15	2410	●
C100/U100/500-18/Uguns+	C100	U100	U100	500	Uguns Pluss	18,0	128	17,0	(R)EI30	2410	-

¹⁾ Ugunsdrošības klasifikācija LBO-458-K/17.²⁾ Tehniskais atzinums ITB 1060/12/R33NK.³⁾ Telpās ar relatīvo gaisa mitrumu līdz 85 % stūra sekcijās pret intensīvu ūdens iedarbību ieteicams izmantot Nida Hydro ģipša šķiedru plāksnes (horizontālām un vertikālām virsmām vannas, dušas utt. zonās).MATERIĀLU PATĒRIŅŠ UZ 1 M² GRIESTU APBŪVES NIDA GRIESTI SISTĒMĀ

Materiāla nosaukums	Mērv.	Sistēmas tips Nida Griesti									
		C100/ U100/500- 12,5/ Expert	C100/ U100/500- 12,5/ Ūdens	C100/ U100/500- 12,5/ Uguns+	C100/ U100/500- 12,5/ ŪdensUguns+	C100/ U100/500- 12,5/ Cietā	C100/ U100/500- 12,5/ Hydro	C100/ U100/500- 15/ Uguns+	C100/ U100/500- 15/ Cietā	C100/ U100/500- 15/ Hydro	C100/ U100/500- 18/ Uguns+
Materiālu patēriņš uz 1 m ²											
Plāksne Nida Expert 12,5 mm	m ²	1,0	-	-	-	-	-	-	-	-	-
Plāksne Nida Ūdens 12,5 mm	m ²	-	1,0	-	-	-	-	-	-	-	-
Plāksne Nida Uguns Pluss 12,5 mm	m ²	-	-	1,0	-	-	-	-	-	-	-
Plāksne Nida Ūdens Uguns Pluss 12,5 mm	m ²	-	-	-	1,0	-	-	-	-	-	-
Plāksne Nida Cietā 12,5 mm	m ²	-	-	-	-	1,0	-	-	-	-	-
Plāksne Nida Hydro 12,5 mm	m ²	-	-	-	-	-	1,0	-	-	-	-
Plāksne Nida Uguns Pluss 15,0 mm	m ²	-	-	-	-	-	-	1,0	-	-	-
Plāksne Nida Cietā 15,0 mm	m ²	-	-	-	-	-	-	-	1,0	-	-
Plāksne Nida Hydro 15,0 mm	m ²	-	-	-	-	-	-	-	-	1,0	-
Plāksne Nida Uguns Pluss 18,0 mm	m ²	-	-	-	-	-	-	-	-	-	1,0
Profils Nida C100	tek.m	2,2	2,2	2,2	2,2	2,2	2,2	2,2	2,2	2,2	2,2
Profils Nida U100	tek.m	0,75	0,75	0,75	0,75	0,75	0,75	0,75	0,75	0,75	0,75
Kniedes	gab.	2,8	2,8	2,8	2,8	2,8	2,8	2,8	2,8	2,8	2,8
Tērauda enkurošanas elements (tips atbilstoši būves svaram) ⁴⁾	gab.	1,7	1,7	1,7	1,7	1,7	1,7	1,7	1,7	1,7	1,7
Pašurbjošās skrūves Nida 3,5x25 mm	gab.	18,0	18,0	18,0	18,0	-	-	18,0	-	-	-
Pašurbjošās skrūves Nida 3,5x35 mm	gab.	-	-	-	-	-	-	-	-	-	18,0
Pašurbjošās skrūves Nida Cietā 35 (3,9x35 mm)	gab.	-	-	-	-	18,0	-	-	18,0	-	-
Pašurbjošās skrūves Nida Hydro C4 3,5x25 mm	gab.	-	-	-	-	-	18,0	-	-	18,0	-
Līmlente šuvēm Nida	tek.m	1,4	1,4	1,4	1,4	1,4	1,4	1,4	1,4	1,4	1,4
Ģipša špaktele Nida Start	kg	0,3	0,3	0,3	0,3	-	-	0,3	-	-	0,3
Ģipša špaktele Nida Finisz	kg	0,1	0,1	0,1	0,1	-	-	0,1	-	-	0,1
Gatavā špaktelmasa Nida Hydromix ⁵⁾	kg	-	-	-	-	0,4	0,4	-	0,4	0,4	-

⁴⁾ Enkurošanas elementu tips un skaits jāizvēlas saskaņā ar shēmu, kas iekļauta ITB tehniskajā atzinumā Pašnesošie griesti: ITB 1060/12/R33NK.⁵⁾ Izņemot ģipša šķiedru plāksnes Nida Cietā, kā alternatīvu varat izmantot arī Nida Planfix Fresh ģipša špakteļi.

Patēriņa standartos nav ņemti vērā materiālie zaudējumi.

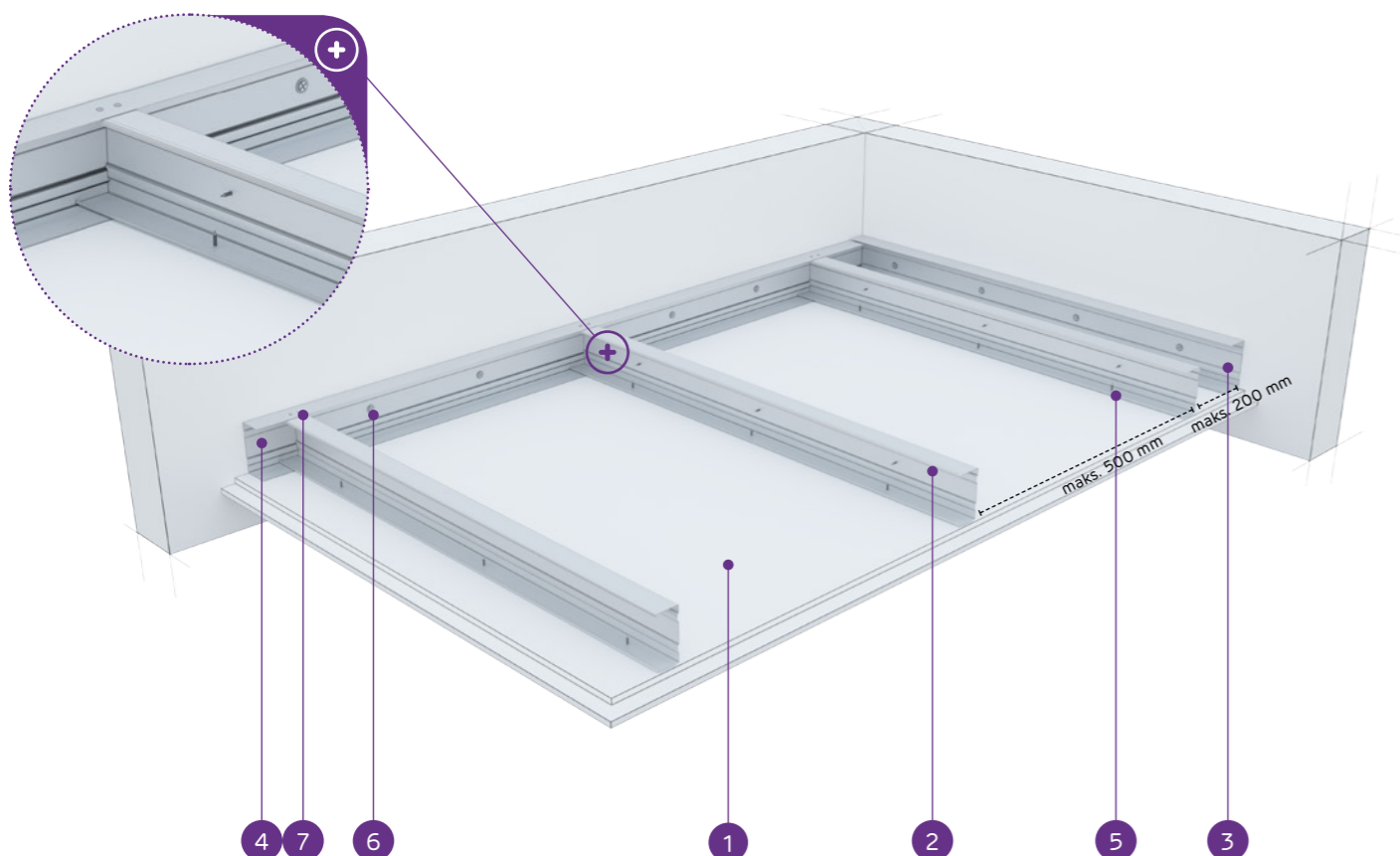


nida Griesti

Ugunsizturības
klase:
(R)EI45
(R)EI60Maksimālais
apdares
platums:
2420 mmMinimālais
piekāršanas
augstums:
110 mmBūves svars
1m²:
19,0-34,0 kgSaistītā
dokumenta
numurs:
EN13964:2004+A1Eksploatācijas īpašību deklarācija:
DoP/Ceiling System/0045/15.11.2016

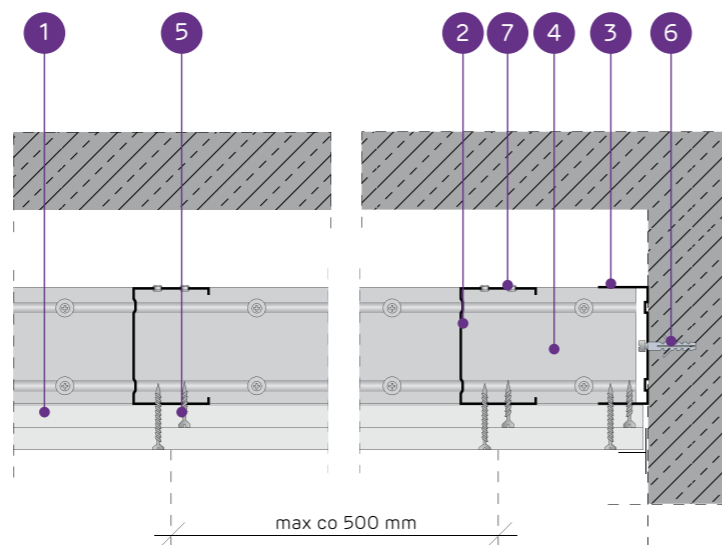
SISTĒMAS:

C100/U100/500-25; C100/U100/500-30



MATERIĀLI:

1. Ģipškartona plāksnes Nida
2. Nesošais profils Nida C 100
3. Konstrukcijas profils Nida U 100
4. Nesošais profils Nida U 100
5. Pašurbjošā skrūve Nida 3,5 x 25 mm
6. Tērauda enkurošanas elements ar Tērauda paplāksni
7. Kniede



PAŠNESOŠO GRIESTU SISTĒMA AR NIDA C100 KONSTRUKCIJU

TEHNISKIE PARAMETRI

Sistēmas tips Nida Griesti	Rezģa konstrukcija				Ģipša plāksņu apšuvums		Minimālais piekāršanas augstums	Būves svars 1 m ²	Ugunsizturības klase ¹⁾	Maksimālais griestu apdares platums ²⁾	Īpašā sistē- ma
	Nida nesošā profila tips	Nida nesošā perimetra profila tips	Nida konstruk- cijas perimetra profila tips	Maksimālais Nida C100 nesošo profilu atstatums	[mm]						
					Nida	Biezums					
C100/U100/500-25/Expert	C100	U100	U100	500	Expert	2x12,5	135	19,0	-	2420	-
C100/U100/500-25/Ūdens ³⁾	C100	U100	U100	500	Ūdens	2x12,5	135	20,0	-	2420	-
C100/U100/500-25/Uguns+	C100	U100	U100	500	Uguns Plus	2x12,5	135	23,0	(R)EI45	2170	-
C100/U100/500-25/ŪdensUguns+	C100	U100	U100	500	Ūdens Uguns Plus	2x12,5	135	23,0	(R)EI45	2170	-
C100/U100/500-25/Cietā	C100	U100	U100	500	Cietā	2x12,5	135	28,0	(R)EI45	1980	●
C100/U100/500-25/Hydro	C100	U100	U100	500	Hydro	2x12,5	135	24,0	(R)EI45	2170	●
C100/U100/500-30/Uguns+	C100	U100	U100	500	Uguns Plus	2x15,0	140	30,0	(R)EI60	1980	-
C100/U100/500-30/Cietā	C100	U100	U100	500	Cietā	2x15,0	140	34,0	(R)EI60	1830	●
C100/U100/500-30/Hydro	C100	U100	U100	500	Hydro	2x15,0	140	30,0	(R)EI60	1980	●

¹⁾ Ugunsdrošības klasifikācija LBO-458-K/17.²⁾ Tehniskais atzinums ITB 1060/12/R33NK.³⁾ Telpās ar relatīvo gaisa mitrumu līdz 85 % stūra sekcijās pret intensīvu ūdens iedarbību ieteicams izmantot Nida Hydro ģipša šķiedru plāksnes (horizontālām un vertikālām virsmām vannas, dušas utt. zonās).MATERIĀLU PATĒRIŅŠ UZ 1 M² GRIESTU APBŪVES NIDA GRIESTI SISTĒMĀ

Materiāla nosaukums	Mērv.	Sistēmas tips Nida Griesti									
		C100/ U100/500- 25/Expert	C100/ U100/500- 25/Ūdens	C100/ U100/500- 25/Uguns+	C100/ U100/500-25/ ŪdensUguns+	C100/ U100/500- 25/Cietā	C100/ U100/500- 25/Hydro	C100/ U100/500- 30/ Uguns+	C100/ U100/500- 30/Cietā	C100/ U100/500- 30/Hydro	
		Materiāla patēriņš uz 1 m ²									
Plāksne Nida Expert 12,5 mm	m ²	2,0	-	-	-	-	-	-	-	-	
Plāksne Nida Ūdens 12,5 mm	m ²	-	2,0	-	-	-	-	-	-	-	
Plāksne Nida Uguns Plus 12,5 mm	m ²	-	-	2,0	-	-	-	-	-	-	
Plāksne Nida Ūdens Uguns Plus 12,5 mm	m ²	-	-	-	2,0	-	-	-	-	-	
Plāksne Nida Cietā 12,5 mm	m ²	-	-	-	-	2,0	-	-	-	-	
Plāksne Nida Hydro 12,5 mm	m ²	-	-	-	-	-	2,0	-	-	-	
Plāksne Nida Uguns Plus 15,0 mm	m ²	-	-	-	-	-	-	2,0	-	-	
Plāksne Nida Cietā 15,0 mm	m ²	-	-	-	-	-	-	-	2,0	-	
Plāksne Nida Hydro 15,0 mm	m ²	-	-	-	-	-	-	-	-	2,0	
Profils Nida C100	tek.m	2,2	2,2	2,2	2,2	2,2	2,2	2,2	2,2	2,2	
Profils Nida U100	tek.m	0,75	0,75	0,75	0,75	0,75	0,75	0,75	0,75	0,75	
Kniedes	gab.	2,8	2,8	2,8	2,8	2,8	2,8	2,8	2,8	2,8	
Tērauda enkurošanas elements (tips atbilstoši būves svaram) ⁴⁾	gab.	1,7	1,7	1,7	1,7	1,7	1,7	1,7	1,7	1,7	
Pašurbjošās skrūves Nida 3,5x25 mm	gab.	6,0	6,0	6,0	6,0	-	-	6,0	-	-	
Pašurbjošās skrūves Nida 3,5x35 mm	gab.	18,0	18,0	18,0	18,0	-	-	-	-	-	
Pašurbjošās skrūves Nida 3,5x45 mm	gab.	-	-	-	-	-	-	18,0	-	-	
Pašurbjošās skrūves Nida Cietā 35 (3,9x35 mm)	gab.	-	-	-	-	24,0	-	-	6,0	-	
Pašurbjošās skrūves Nida Cietā 45 (3,9x45 mm)	gab.	-	-	-	-	-	-	-	18,0	-	
Pašurbjošās skrūves Nida Hydro C4 3,5x25 mm	gab.	-	-	-	-	-	6,0	-	-	6,0	
Pašurbjošās skrūves Nida Hydro C4 3,5x41 mm	gab.	-	-	-	-	-	18,0	-	-	18,0	
Limlente šuvēm Nida	tek.m	1,4	1,4	1,4	1,4	1,4	1,4	1,4	1,4	1,4	
Ģipša špaktele Nida Start	kg	0,6	0,6	0,6	0,6	-	-	0,6	-	-	
Ģipša špaktele Nida Finisz	kg	0,1	0,1	0,1	0,1	-	-	0,1	-	-	
Gatavā špakteļmasa Nida Hydromix ⁵⁾	kg	-	-	-	-	-	0,7	0,7	-	0,7	

⁴⁾ Enkurošanas elementu tips un skaits jāizvēlas saskaņā ar shēmu, kas iekļauta ITB tehniskajā atzinumā Pašnesošie griesti: ITB 1060/12/R33NK.⁵⁾ Izmantojot ģipša šķiedru plāksnes Nida Cietā, kā alternatīvu varat izmantot arī Nida Planfix Fresh ģipša špakteli.

Patēriņa standartos nav ņemti vērā materiālie zaudējumi.

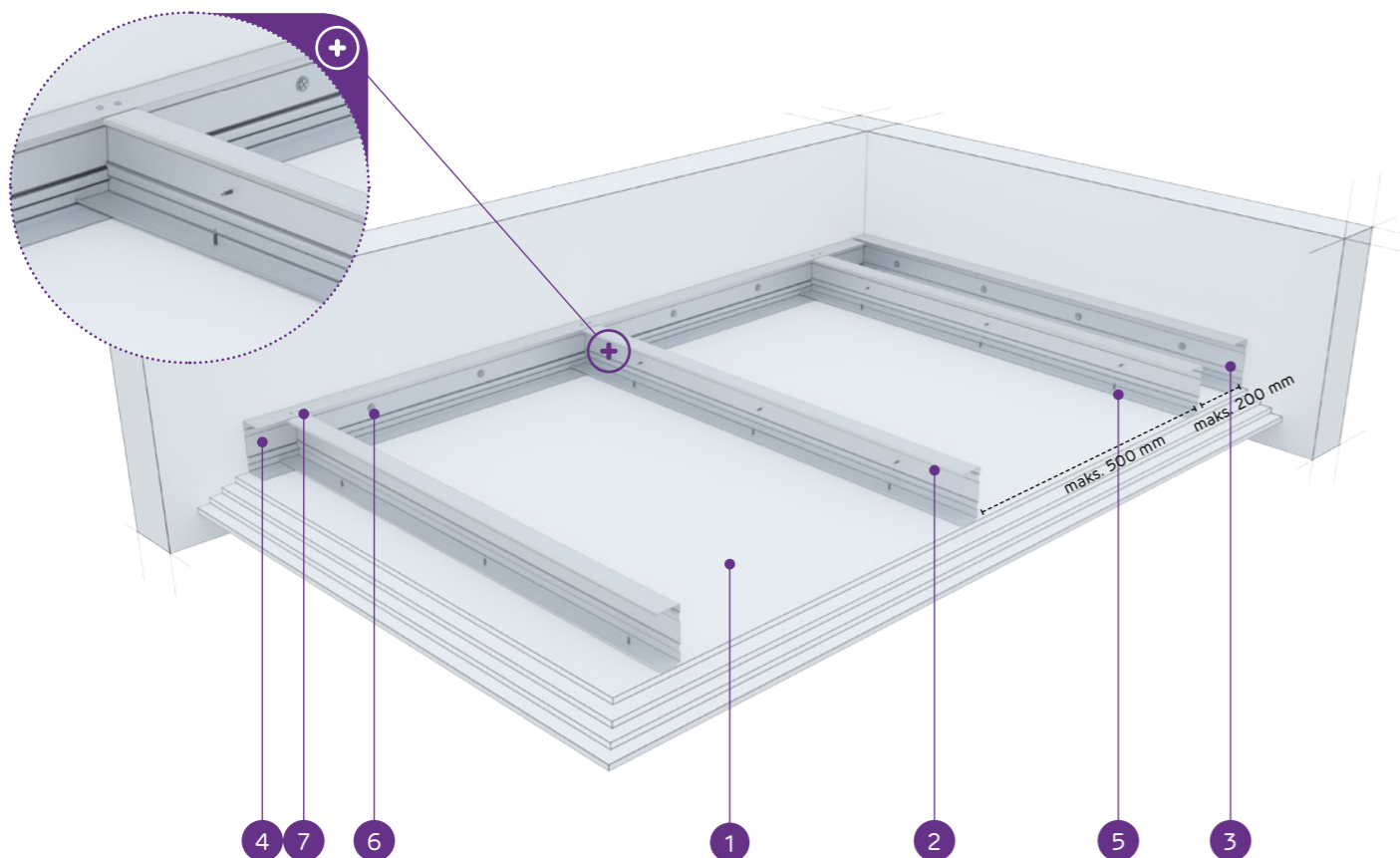


nida Griesti

Ugunsizturības
klase:
(R)EI60
(R)EI90
(R)EI120Maksimālais
apdares
platums:
1830 mmMinimālais
piekāršanas
augstums:
110 mmBūves svars
1m²:
33,0-65,0 kgSaistītā
dokumenta
numurs:
EN13964:2004+A1Eksploatacijas īpašību deklarācija:
DoP/Ceiling System/0045/15.11.2016

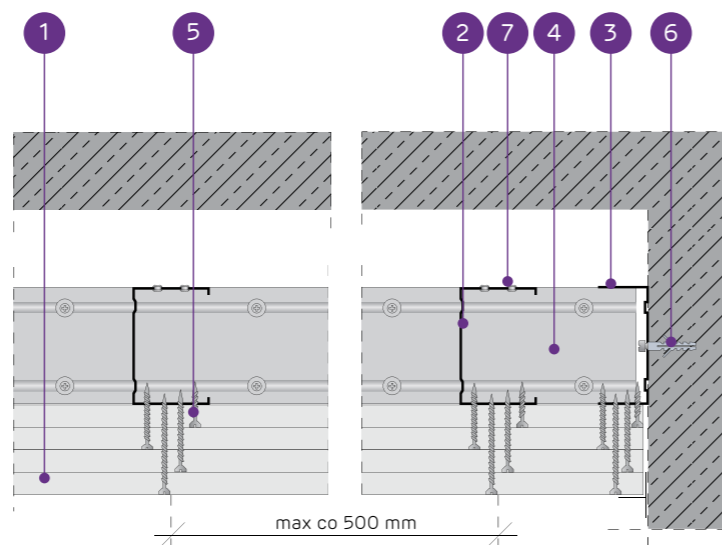
SISTĒMAS:

C100/U100/500-37,5; C100/U100/500-40; C100/U100/500-60



MATERIĀLI:

1. Ģipškartona plāksnes Nida
2. Nesošais profils Nida C 100
3. Konstrukcijas profils Nida U 100
4. Nesošais profils Nida U 100
5. Pašurbjošā skrūve Nida 3,5 x 25 mm
6. Tērauda enkurošanas elements ar Tērauda paplāksni
7. Kniede



PAŠNESOŠO GRIESTU SISTĒMA AR NIDA C100 KONSTRUKCIJU

TEHNISKIE PARAMETRI

Sistēmas tips Nida Griesti	Režģa konstrukcija				Ģipša plākšņu apšuvums		Minimālais piekāršanas augstums	Būves svars 1 m ²	Ugunsizturības klase ¹⁾	Maksimālais griestu apdares platums ²⁾	Īpašā sistē- ma
	Nida nesošā profila tips	Nida nesošā perimetra profila tips	Nida konstruk- cijas perimetra profila tips	Maksimālais Nida C100 nesošu profilu atstatums [mm]	Nida	Biezums					
C100/U100/500-37,5/Uguns+	C100	U100	U100	500	Uguns Pluss	3x12,5	147,5	33,0	(R)EI60	1830	-
C100/U100/500-37,5/ŪdensUguns+	C100	U100	U100	500	Ūdens Uguns Pluss	3x12,5	147,5	33,0	(R)EI60	1830	-
C100/U100/500-37,5/Cietā	C100	U100	U100	500	Cietā	3x12,5	147,5	41,0	(R)EI60	1610	●
C100/U100/500-37,5/Hydro	C100	U100	U100	500	Hydro	3x12,5	147,5	35,0	(R)EI60	1830	●
C100/U100/500-40/Uguns+	C100	U100	U100	500	Uguns Pluss	2x12,5+15,0	150	37,0	(R)EI90	1710	-
C100/U100/500-40/Cietā	C100	U100	U100	500	Cietā	2x12,5+15,0	150	44,0	(R)EI90	1610	●
C100/U100/500-40/Hydro	C100	U100	U100	500	Hydro	2x12,5+15,0	150	38,0	(R)EI90	1710	●
C100/U100/500-60/Uguns+	C100	U100	U100	500	Uguns Pluss	4x15,0	170	57,0	(R)EI120	1400	-
C100/U100/500-60/Cietā	C100	U100	U100	500	Cietā	4x15,0	170	65,0	(R)EI120	1340	●
C100/U100/500-60/Hydro	C100	U100	U100	500	Hydro	4x15,0	170	57,0	(R)EI120	1400	●

¹⁾ Ugunsdrošības klasifikācija LBO-458-K/17.²⁾ Tehniskais atzinums ITB 1060/12/R33NK.MATERIĀLU PATĒRĪŅŠ UZ 1 M² GRIESTU APBŪVES NIDA GRIESTI SISTĒMĀ

Materiāla nosaukums	Mērv.	Sistēmas tips Nida Griesti										
		C100/ U100/500- 37,5/ Uguns+	C100/ U100/500- 37,5/ ŪdensUguns+	C100/ U100/500- 37,5/Cietā	C100/ U100/500- 37,5/Hydro	C100/ U100/500- 40/ Uguns+	C100/ U100/500- 40/Cietā	C100/ U100/500- 40/Hydro	C100/ U100/500- 60/ Uguns+	C100/ U100/500- 60/Cietā	C100/ U100/500- 60/Hydro	
Materiāla patēriņš uz 1 m ²												
Plāksne Nida Uguns Pluss 12,5 mm	m ²	3,0	-	-	-	2,0	-	-	-	-	-	-
Plāksne Nida Ūdens Uguns Pluss 12,5 mm	m ²	-	3,0	-	-	-	-	-	-	-	-	-
Plāksne Nida Cietā 12,5 mm	m ²	-	-	3,0	-	-	2,0	-	-	-	-	-
Plāksne Nida Hydro 12,5 mm	m ²	-	-	-	3,0	-	-	2,0	-	-	-	-
Plāksne Nida Uguns Pluss 15,0 mm	m ²	-	-	-	-	1,0	-	-	4,0	-	-	-
Plāksne Nida Cietā 15,0 mm	m ²	-	-	-	-	-	1,0	-	-	4,0	-	-
Plāksne Nida Hydro 15,0 mm	m ²	-	-	-	-	-	-	1,0	-	-	4,0	-
Profils Nida C100	tek.m	2,2	2,2	2,2	2,2	2,2	2,2	2,2	2,2	2,2	2,2	2,2
Profils Nida U100	tek.m	0,75	0,75	0,75	0,75	0,75	0,75	0,75	0,75	0,75	0,75	0,75
Kniedes	gab.	2,8	2,8	2,8	2,8	2,8	2,8	2,8	2,8	2,8	2,8	2,8
Tērauda enkurošanas elements (tips atbilstoši būves svaram) ³⁾	gab.	1,7	1,7	1,7	1,7	1,7	1,7	1,7	1,7	1,7	1,7	1,7
Pašurbjošās skrūves Nida 3,5x25 mm	gab.	6,0	6,0	-	-	6,0	-	-	6,0	-	-	-
Pašurbjošās skrūves Nida 3,5x35 mm	gab.	6,0	6,0	-	-	6,0	-	-	-	-	-	-
Pašurbjošās skrūves Nida 3,5x45 mm	gab.	-	-	-	-	-	-	-	6,0	-	-	-
Pašurbjošās skrūves Nida 3,5x55 mm	gab.	18,0	18,0	-	-	18,0	-	-	6,0	-	-	-
Pašurbjošās skrūves Nida 4,2x70 mm	gab.	-	-	-	-	-	-	-	18,0	-	-	-
Pašurbjošās skrūves Nida Cietā 35 (3,9x35 mm)	gab.	-	-	12,0	-	-	-	12,0	-	-	6,0	-
Pašurbjošās skrūves Nida Cietā 45 (3,9x45 mm)	gab.	-	-	-	-	-	-	-	-	-	6,0	-
Pašurbjošās skrūves Nida Cietā 55 (3,9x55 mm)	gab.	-	-	18,0	-	-	-	18,0	-	-	6,0	-
Pašurbjošās skrūves Nida Cietā 70 (4,2x70 mm)	gab.	-	-	-	-	-	-	-	-	-	18,0	-
Pašurbjošās skrūves Nida Hydro C4 3,5x25 mm	gab.	-	-	-	6,0	-	-	6,0	-	-	-	6,0
Pašurbjošās skrūves Nida Hydro C4 3,5x41 mm	gab.	-	-	-	6,0	-	-	6,0	-	-	-	6,0
Pašurbjošās skrūves Nida Hydro C4 3,5x55 mm	gab.	-	-	-	18,0	-	-	18,0	-	-	-	6,0
Pašurbjošās skrūves Nida Hydro C4 4,2x70 mm	gab.	-	-	-	-	-	-	-	-	-	-	18,0
Limlente šuvēm Nida	tek.m	1,4	1,4	1,4	1,4	1,4	1,4	1,4	1,4	1,4	1,4	1,4
Ģipša špaktele Nida Start	kg	0,9	0,9	-	-	0,9	-	-	1,2	-	-	-
Ģipša špaktele Nida Finisz	kg	0,1	0,1	-	-	0,1	-	-	0,1	-	-	-
Ģipšā špaktelmasa Nida Hydromix ⁴⁾	kg	-	-	1,0	1,0	-	-	1,0	1,0	-	1,3	1,3

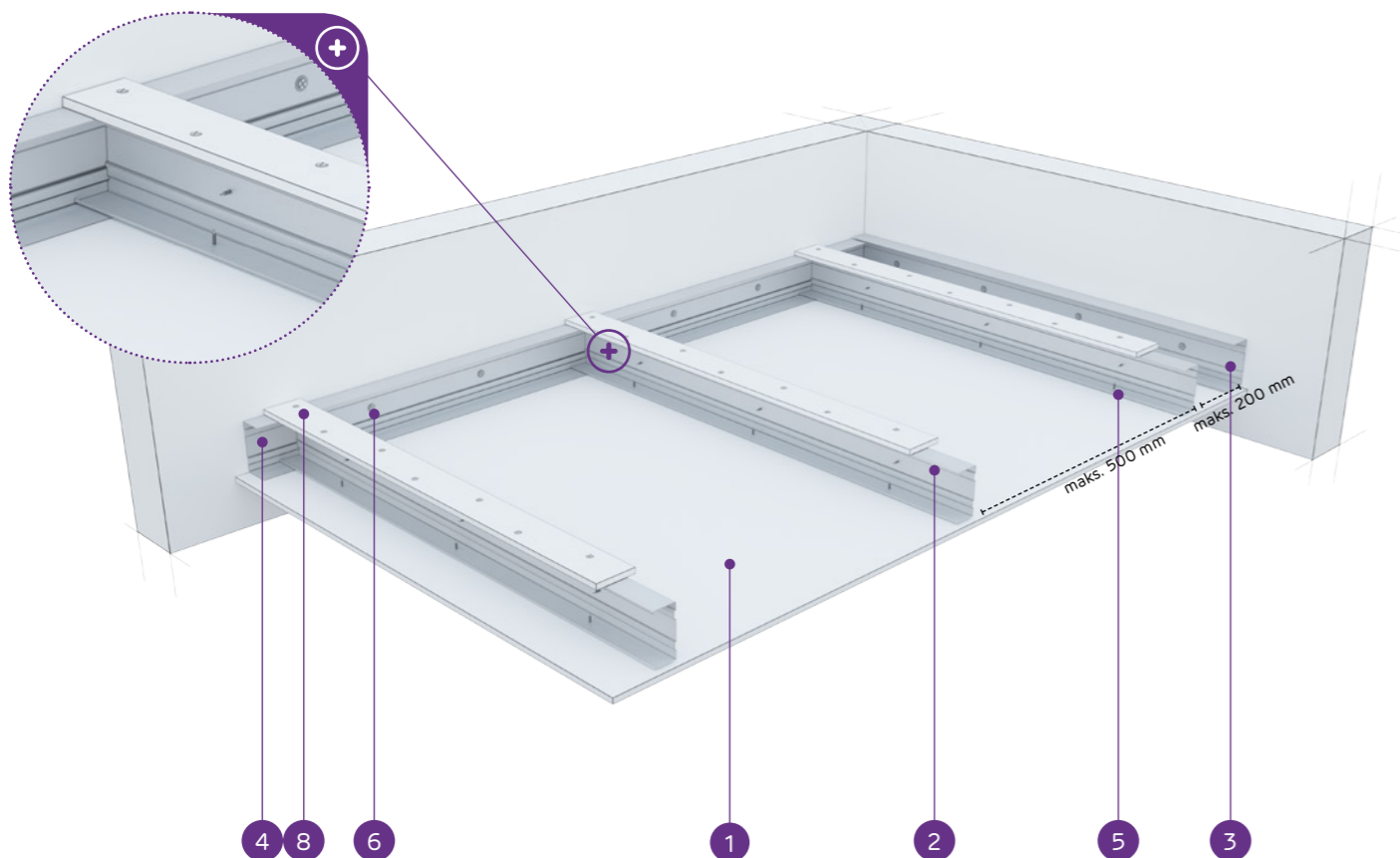
³⁾ Enkurošanas elementu tips un skaits jāizvēlas saskaņā ar shēmu, kas iekļauta ITB tehniskajā atzinumā Pašnesošie griesti: ITB 1060/12/R33NK.⁴⁾ Izmantojot ģipša šķiedru plāksnes Nida Cietā, kā alternatīvu varat izmantot arī Nida Planfix Fresh ģipša špaktelī. Patēriņa standartos nav ņemti vērā materiālie zaudējumi.

nida Griesti

Ugunsizturības
klase:
(R)EI15
(R)EI30Maksimālais
apdares
platums:
2530 mmMinimālais
piekāršanas
augstums:
60 mmBūves svars
1m²:
12,0-22,0 kgSaistītā
dokumenta
numurs:
EN13964:2004+A1Eksploatacijas īpašību deklarācija:
DoP/Ceiling System/0042/15.11.2016

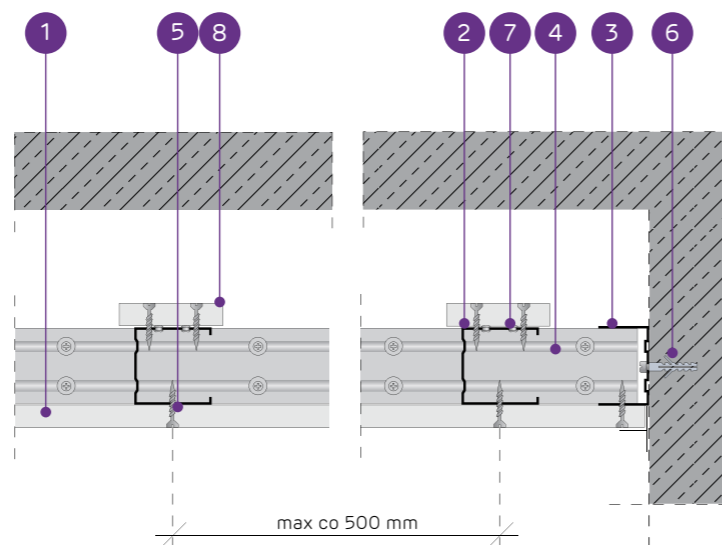
SISTĒMAS:

C50/U50/PD/500-12,5; C50/U50/PD/500-15; C50/U50/PD/500-18



MATERIĀLI:

- Ģipškartona plāksnes Nida
- Nesošais profils Nida C 50
- Konstrukcijas profils Nida U 50
- Nesošais profils Nida U 50
- Pašurbjošās skrūve Nida 3,5 x 25 mm
- Tērauda enkurošanas elements ar Tērauda paplāksni
- Kniede
- Pastiprinošā josla uz 12,5 mm Nida ģipškartona plāksnes

PAŠNESOŠO GRIESTU SISTĒMA AR NIDA C50 KONSTRUKCIJU AR
PASTIPRINOŠO JOSLU

TEHNISKIE PARAMETRI

Sistēmas tips Nida Griesti	Režģa konstrukcija				Ģipša plāksņu apšuvums		Minimālais piekāršanas augstums	Būves svars 1 m ²	Ugunsizturības klase ¹⁾	Maksimālais griestu apdares platums ²⁾	Īpašā sistē- ma
	Nida nesošā profila tips	Nida nesošā perimetra profila tips	Nida konstruk- cijas perimetra profila tips	Maksimālais Nida C50 nesošo profilu atstatums	Ģipša plāksņu apšuvums						
					Nida	Biezums					
C50/U50/PD/500-12,5/Expert	C50	U50	U50	500	Expert	12,5	72,5	12,0	-	2530	-
C50/U50/PD/500-12,5/Ūdens ³⁾	C50	U50	U50	500	Ūdens	12,5	72,5	13,0	-	2530	-
C50/U50/PD/500-12,5/Uguns+	C50	U50	U50	500	Uguns Pluss	12,5	72,5	15,0	(R)EI15	2530	-
C50/U50/PD/500-12,5/ŪdensUguns+	C50	U50	U50	500	Ūdens Uguns Pluss	12,5	72,5	15,0	(R)EI15	2530	-
C50/U50/PD/500-12,5/Cietā	C50	U50	U50	500	Cietā	12,5	72,5	19,0	(R)EI15	2190	●
C50/U50/PD/500-12,5/Hydro	C50	U50	U50	500	Hydro	12,5	72,5	16,0	(R)EI15	2190	●
C50/U50/PD/500-15/Uguns+	C50	U50	U50	500	Uguns Pluss	15,0	75	19,0	(R)EI15	2190	-
C50/U50/PD/500-15/Cietā	C50	U50	U50	500	Cietā	15,0	75	22,0	(R)EI15	1960	●
C50/U50/PD/500-15/Hydro	C50	U50	U50	500	Hydro	15,0	75	19,0	(R)EI15	2190	●
C50/U50/PD/500-18/Uguns+	C50	U50	U50	500	Uguns Pluss	18,0	78	20,0	(R)EI30	2190	-

¹⁾ Ugunsdrošības klasifikācija LBO-458-K/17.²⁾ Tehniskais atzinums ITB 1060/12/R33NK.³⁾ Telpās ar relatīvo gaisa mitrumu līdz 85 % stūra sekcijās pret intensīvu ūdens iedarbību ieteicams izmantot Nida Hydro ģipša šķiedru plāksnes (horizontālām un vertikālām virsmām vannas, dušas utt. zonās).MATERIĀLU PATĒRIŅŠ UZ 1 M² GRIESTU APBŪVES NIDA GRIESTI SISTĒMĀ

Materiāla nosaukums	Mērv.	Sistēmas tips Nida Griesti									
		C50/U50/ PD/500- 12,5/ Expert	C50/U50/ PD/500- 12,5/ Ūdens	C50/ U50/ PD/500- 12,5/ Uguns+	C50/U50/ PD/500-12,5/ ŪdensUguns+	C50/U50/ PD/500- 12,5/Cietā	C50/U50/ PD/500- 12,5/Hydro	C50/U50/ PD/500- 15/Uguns+	C50/U50/ PD/500- 15/Cietā	C50/U50/ PD/500- 15/Hydro	C50/U50/ PD/500- 18/ Uguns+
		Materiāla patēriņš uz 1 m ²									
Plāksne Nida Expert 12,5 mm	m ²	1,3	-	-	-	-	-	-	-	-	
Plāksne Nida Ūdens 12,5 mm	m ²	-	1,3	-	-	-	-	-	-	-	
Plāksne Nida Uguns Pluss 12,5 mm	m ²	-	-	1,3	-	-	-	-	-	-	
Plāksne Nida Ūdens Uguns Pluss 12,5 mm	m ²	-	-	-	1,3	-	-	-	-	-	
Plāksne Nida Cietā 12,5 mm	m ²	-	-	-	-	1,3	-	-	-	-	
Plāksne Nida Hydro 12,5 mm	m ²	-	-	-	-	-	1,3	-	-	-	
Plāksne Nida Uguns Pluss 15,0 mm	m ²	-	-	-	-	-	-	1,3	-	-	
Plāksne Nida Cietā 15,0 mm	m ²	-	-	-	-	-	-	-	1,3	-	
Plāksne Nida Hydro 15,0 mm	m ²	-	-	-	-	-	-	-	-	1,3	
Plāksne Nida Uguns Pluss 18,0 mm	m ²	-	-	-	-	-	-	-	-	1,3	
Profils Nida C50	tek.m	2,2	2,2	2,2	2,2	2,2	2,2	2,2	2,2	2,2	
Profils Nida U50	tek.m	0,75	0,75	0,75	0,75	0,75	0,75	0,75	0,75	0,75	
Kniedes	gab.	2,8	2,8	2,8	2,8	2,8	2,8	2,8	2,8	2,8	
Tērauda enkurošanas elements (tips atbilstoši būves svaram) ⁴⁾	gab.	1,7	1,7	1,7	1,7	1,7	1,7	1,7	1,7	1,7	
Pašurbjošās skrūves Nida 3,5x25 mm	gab.	27,0	27,0	27,0	27,0	-	-	27,0	-	-	
Pašurbjošās skrūves Nida 3,5x35 mm	gab.	-	-	-	-	-	-	-	-	27,0	
Pašurbjošās skrūves Nida Cietā 35 (3,9x35 mm)	gab.	-	-	-	-	27,0	-	-	27,0	-	
Pašurbjošās skrūves Nida Hydro C4 3,5x25 mm	gab.	-	-	-	-	-	27,0	-	-	27,0	
Līmlente šuvēm Nida	tek.m	1,4	1,4	1,4	1,4	1,4	1,4	1,4	1,4	1,4	
Ģipša špaktele Nida Start	kg	0,3	0,3	0,3	0,3	-	-	0,3	-	0,3	
Ģipša špaktele Nida Finisz	kg	0,1	0,1	0,1	0,1	-	-	0,1	-	0,1	
Gatavā špaktelmasa Nida Hydromix ⁵⁾	kg	-	-	-	-	-	0,4	-	0,4	0,4	

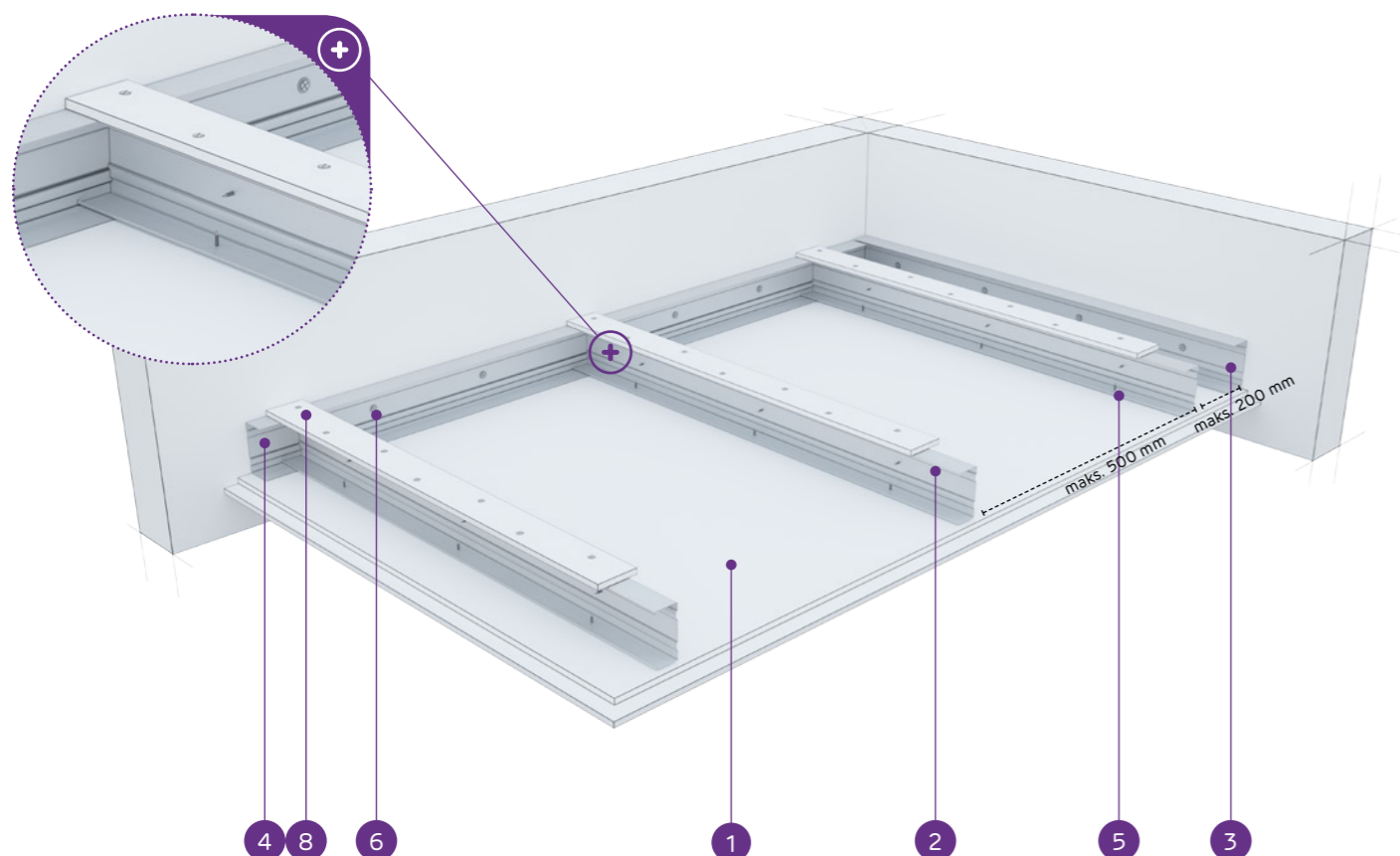
⁴⁾ Enkurošanas elementu tips un skaits jāizvēlas saskaņā ar shēmu, kas iekļauta ITB tehniskajā atzinumā Pašnesošie griesti: ITB 1060/12/R33NK.⁵⁾ Izmantojot ģipša šķiedru plāksnes Nida Cietā, kā alternatīvu varat izmantot arī Nida Planfix Fresh ģipša špakteļi. Patēriņa standartos nav ņemti vērā materiālie zaudējumi.

nida Griesti

Ugunsizturības
klase:
(R)EI45
(R)EI60Maksimālais
apdares
platums:
2030 mmMinimālais
piekāršanas
augstums:
60 mmBūves svars
1m²:
21,0-38,0 kgSaisītā
dokumenta
numurs:
EN13964:2004+A1Eksploatacijas īpašību deklarācija:
DoP/Ceiling System/0042/15.11.2016

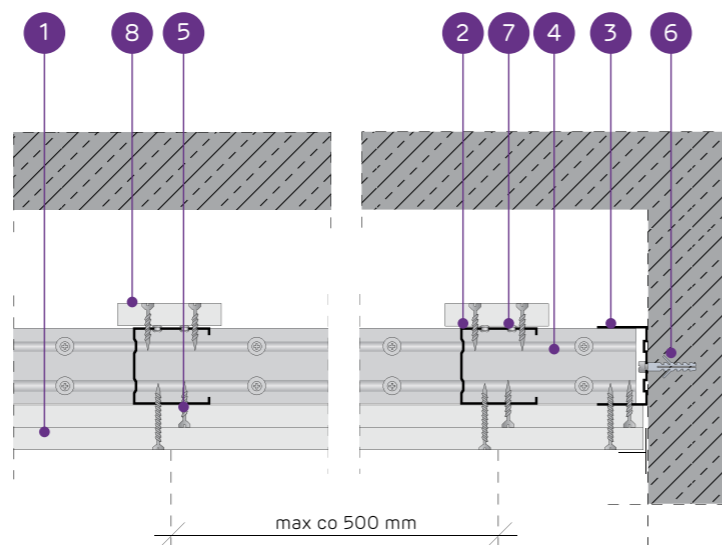
SISTĒMAS:

C50/U50/PD/500-25; C50/U50/PD/500-30



MATERIĀLI:

- Ģipškartona plāksnes Nida
- Nesošais profils Nida C 50
- Konstrukcijas profils Nida U 50
- Nesošais profils Nida U 50
- Pašurbjošā skrūve Nida 3,5 x 25 mm
- Tērauda enkurošanas elements ar Tērauda paplāksni
- Kniede
- Pastiprinošā josla no 12,5 mm Nida ģipškartona plāksnes

PAŠNESOŠO GRIESTU SISTĒMA AR NIDA C50 KONSTRUKCIJU AR
PASTIPRINOŠO JOSLU

TEHNISKIE PARAMETRI

Sistēmas tips Nida Griesti	Režģa konstrukcija				Ģipša plāksņu apšuvums		Minimālais piekāršanas augstums	Būves svars 1 m ²	Ugunsizturības klase ¹⁾	Maksimālais griestu apdares platums ²⁾	Īpašā sistē- ma
	Nida nesošā profila tips	Nida nesošā perimetra profila tips	Nida konstruk- cijas perimetra profila tips	Maksimālais Nida C50 nesošo profilu atstatums	[mm]						
					Nida	Biezums					
C50/U50/PD/500-25/Expert	C50	U50	U50	500	Expert	2x12,5	85	21,0	-	2030	-
C50/U50/PD/500-25/Ūdens ³⁾	C50	U50	U50	500	Ūdens	2x12,5	85	22,0	-	2030	-
C50/U50/PD/500-25/Uguns+	C50	U50	U50	500	Uguns Pluss	2x12,5	85	25,0	(R)EI45	2030	-
C50/U50/PD/500-25/ŪdensUguns+	C50	U50	U50	500	Ūdens Uguns Pluss	2x12,5	85	25,0	(R)EI45	2030	-
C50/U50/PD/500-25/Cietā	C50	U50	U50	500	Cietā	2x12,5	85	32,0	(R)EI45	1710	●
C50/U50/PD/500-25/Hydro	C50	U50	U50	500	Hydro	2x12,5	85	27,0	(R)EI45	1850	●
C50/U50/PD/500-30/Uguns+	C50	U50	U50	500	Uguns Pluss	2x15,0	90	33,0	(R)EI60	1710	-
C50/U50/PD/500-30/Cietā	C50	U50	U50	500	Cietā	2x15,0	90	38,0	(R)EI60	1600	●
C50/U50/PD/500-30/Hydro	C50	U50	U50	500	Hydro	2x15,0	90	33,0	(R)EI60	1710	●

¹⁾ Ugunsdrošības klasifikācija LBO-458-K/17.²⁾ Tehniskais atzinums ITB 1060/12/R33NK.³⁾ Telpās ar relatīvo gaisa mitrumu līdz 85% stūra sekcijās pret intensīvu ūdens iedarbību ieteicams izmantot Nida Hydro ģipša šķiedru plāksnes (horizontālām un vertikālām virsmām vannas, dušas utt. zonās).MATERIĀLU PATĒRIŅŠ UZ 1 M² GRIESTU APBŪVES NIDA GRIESTI SISTĒMĀ

Materiāla nosaukums	Mērv.	Sistēmas tips Nida Griesti									
		C50/U50/ PD/500- 25/Expert	C50/U50/ PD/500- 25/Ūdens	C50/U50/ PD/500- 25/ Uguns+	C50/U50/ PD/500-25/ ŪdensUguns+	C50/U50/ PD/500- 25/Cietā	C50/U50/ PD/500- 25/Hydro	C50/U50/ PD/500- 30/Uguns+	C50/U50/ PD/500- 30/Cietā	C50/U50/ PD/500- 30/Hydro	
		Materiāla patēriņš uz 1 m ²									
Plāksne Nida Expert 12,5 mm	m ²	2,3	-	-	-	-	-	-	-	-	
Plāksne Nida Ūdens 12,5 mm	m ²	-	2,3	-	-	-	-	-	-	-	
Plāksne Nida Uguns Pluss 12,5 mm	m ²	-	-	2,3	-	-	-	-	-	-	
Plāksne Nida Ūdens Uguns Pluss 12,5 mm	m ²	-	-	-	2,3	-	-	-	-	-	
Plāksne Nida Cietā 12,5 mm	m ²	-	-	-	-	2,3	-	-	-	-	
Plāksne Nida Hydro 12,5 mm	m ²	-	-	-	-	-	2,3	-	-	-	
Plāksne Nida Uguns Pluss 15,0 mm	m ²	-	-	-	-	-	-	2,3	-	-	
Plāksne Nida Cietā 15,0 mm	m ²	-	-	-	-	-	-	-	2,3	-	
Plāksne Nida Hydro 15,0 mm	m ²	-	-	-	-	-	-	-	-	2,3	
Profils Nida C50	tek.m	2,2	2,2	2,2	2,2	2,2	2,2	2,2	2,2	2,2	
Profils Nida U50	tek.m	0,75	0,75	0,75	0,75	0,75	0,75	0,75	0,75	0,75	
Kniedes	gab.	2,8	2,8	2,8	2,8	2,8	2,8	2,8	2,8	2,8	
Tērauda enkurošanas elements (tips atbilstoši būves svaram) ⁴⁾	gab.	1,7	1,7	1,7	1,7	1,7	1,7	1,7	1,7	1,7	
Pašurbjošās skrūves Nida 3,5x25 mm	gab.	15,0	15,0	15,0	15,0	-	-	15,0	-	-	
Pašurbjošās skrūves Nida 3,5x35 mm	gab.	-	-	-	-	-	-	-	-	-	
Pašurbjošās skrūves Nida 3,5x45 mm	gab.	-	-	-	-	-	-	18,0	-	-	
Pašurbjošās skrūves Nida Cietā 35 (3,9x35 mm)	gab.	-	-	-	-	33,0	-	-	15,0	-	
Pašurbjošās skrūves Nida Cietā 45 (3,9x45 mm)	gab.	-	-	-	-	-	-	-	18,0	-	
Pašurbjošās skrūves Nida Hydro C4 3,5x25 mm	gab.	-	-	-	-	-	15,0	-	-	15,0	
Pašurbjošās skrūves Nida Hydro C4 3,5x41 mm	gab.	-	-	-	-	-	18,0	-	-	18,0	
Limlente šuvēm Nida	tek.m	1,4	1,4	1,4	1,4	1,4	1,4	1,4	1,4	1,4	
Ģipša špaktele Nida Start	kg	0,6	0,6	0,6	0,6	-	-	0,6	-	-	
Ģipša špaktele Nida Finisz	kg	0,1	0,1	0,1	0,1	-	-	0,1	-	-	
Gatavā špaktelmasa Nida Hydromix ⁵⁾	kg	-	-	-	-	-	0,7	-	0,7	0,7	

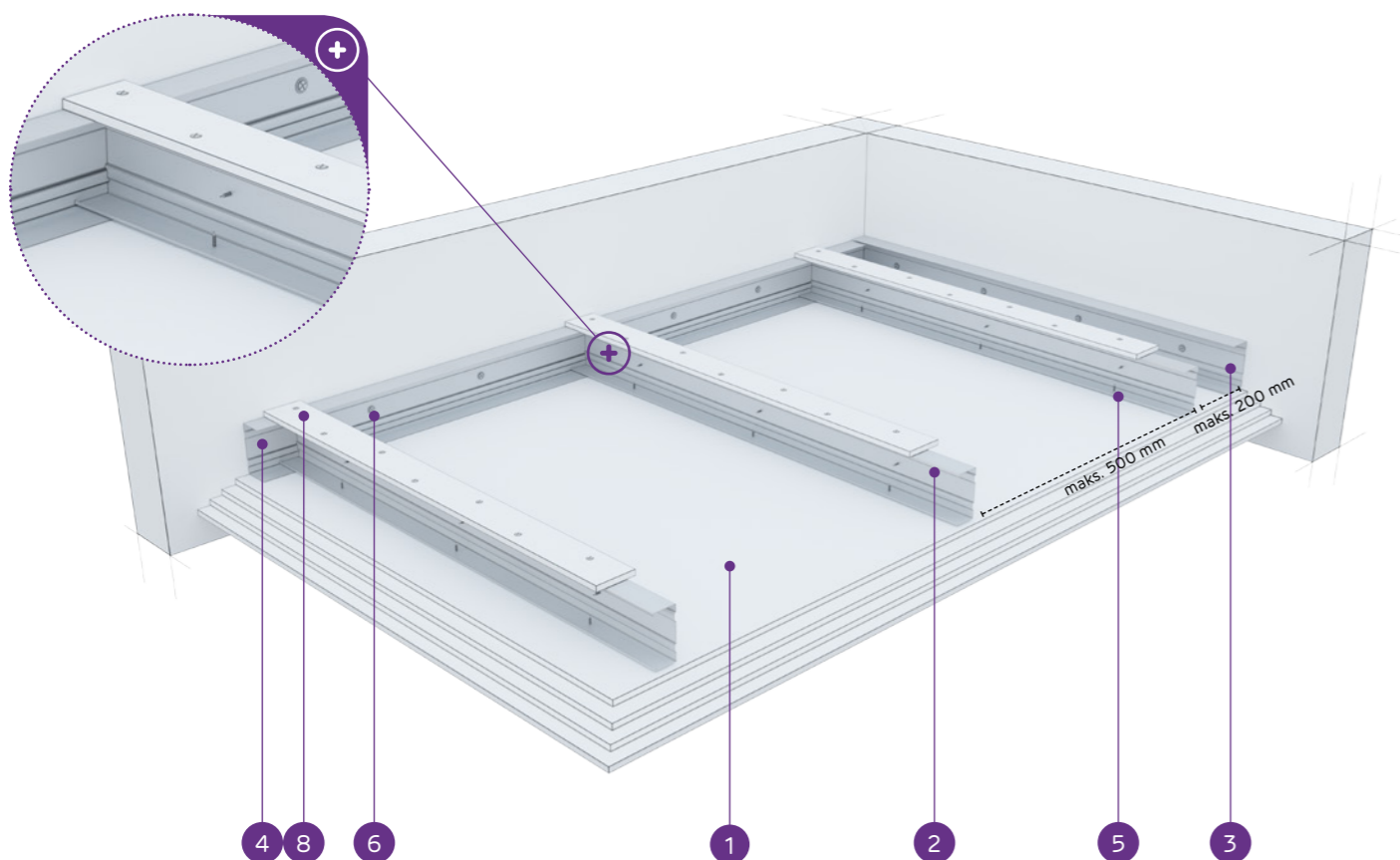
⁴⁾ Enkurošanas elementu tips un skaits jāizvēlas saskaņā ar shēmu, kas iekļauta ITB tehniskajā atzinumā Pašnesošie griesti: ITB 1060/12/R33NK.⁵⁾ Izmantojot ģipša šķiedru plāksnes Nida Cietā, kā alternatīvu varat izmantot arī Nida Planfix Fresh ģipša špakteļi. Patēriņa standartos nav ņemti vērā materiālie zaudējumi.

nida Griesti

Ugunsizturības
klase:
(R)EI60
(R)EI90
(R)EI120Maksimālais
apdares
platums:
1600 mmMinimālais
piekāršanas
augstums:
60 mmBūves svars
1m²:
36,0-69,0 kgSaistītā
dokumenta
numurs:
EN13964:2004+A1Eksploatacijas īpašību deklarācija:
DoP/Ceiling System/0042/15.11.2016

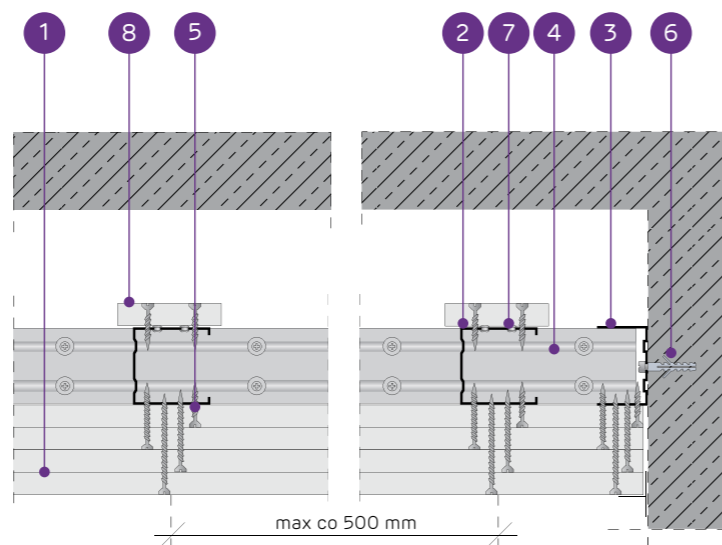
SISTĒMAS:

C50/U50/PD/500-37,5; C50/U50/PD/500-40; C50/U50/PD/500-60



MATERIĀLI:

1. Ģipškartona plāksnes Nida
2. Nesošais profils Nida C 50
3. Konstruktīvais profils Nida U 50
4. Nesošais profils Nida U 50
5. Pašurbjošā skrūve Nida 3,5 x 25 mm
6. Tērauda enkurošanas elements ar Tērauda paplāksni
7. Kniede
8. Pastiprinošā josla no 12,5 mm Nida ģipškartona plāksnes

PAŠNESOŠO GRIESTU SISTĒMA AR NIDA C50 KONSTRUKCIJU AR
PASTIPRINOŠO JOSLU

TEHNISKIE PARAMETRI

Sistēmas tips Nida Griesti	Režģa konstrukcija				Ģipša plāksņu apšuvums		Minimālais piekāršanas augstums	Būves svars 1 m ²	Ugunsizturības klase ¹⁾	Maksimālais griestu apdares platums ²⁾	Īpašā sistē- ma
	Nida nesošā profila tips	Nida nesošā perimetra profila tips	Nida konstruk- cijas perimetra profila tips	Maksimālais Nida C50 nesošo profilu atstatums	Nida	Biezums					
C50/U50/PD/500-37,5/Uguns+	C50	U50	U50	500	Uguns Plus	3x12,5	97,5	36,0	(R)EI60	1600	-
C50/U50/PD/500-37,5/ŪdensUguns+	C50	U50	U50	500	Ūdens Uguns Plus	3x12,5	97,5	36,0	(R)EI60	1600	-
C50/U50/PD/500-37,5/Cietā	C50	U50	U50	500	Cietā	3x12,5	97,5	45,0	(R)EI60	1510	●
C50/U50/PD/500-37,5/Hydro	C50	U50	U50	500	Hydro	3x12,5	97,5	38,0	(R)EI60	1600	●
C50/U50/PD/500-40/Uguns+	C50	U50	U50	500	Uguns Plus	2x12,5+15,0	100	39,0	(R)EI90	1600	-
C50/U50/PD/500-40/Cietā	C50	U50	U50	500	Cietā	2x12,5+15,0	100	47,0	(R)EI90	1420	●
C50/U50/PD/500-40/Hydro	C50	U50	U50	500	Hydro	2x12,5+15,0	100	41,0	(R)EI90	1510	●
C50/U50/PD/500-60/Uguns+	C50	U50	U50	500	Uguns Plus	4x15,0	120	61,0	(R)EI120	1250	-
C50/U50/PD/500-60/Cietā	C50	U50	U50	500	Cietā	4x15,0	120	69,0	(R)EI120	1210	●
C50/U50/PD/500-60/Hydro	C50	U50	U50	500	Hydro	4x15,0	120	61,0	(R)EI120	1250	●

¹⁾ Ugunsdrošības klasifikācija LBO-458-K/17.²⁾ Tehniskais atzinums ITB 1060/12/R33NK.MATERIĀLU PATĒRIŅŠ UZ 1 M² GRIESTU APBŪVES NIDA GRIESTI SISTĒMĀ

Materiāla nosaukums	Mērv.	Sistēmas tips Nida Griesti									
		C50/ U50/ PD/500- 37,5/ Uguns+	C50/U50/ PD/500-37,5/ ŪdensUguns+	C50/U50/ PD/500- 37,5/Cietā	C50/U50/ PD/500- 37,5/Hydro	C50/U50/ PD/500- 40/ Uguns+	C50/U50/ PD/500- 40/Cietā	C50/U50/ PD/500- 40/Hydro	C50/U50/ PD/500- 60/ Uguns+	C50/U50/ PD/500- 60/Cietā	C50/U50/ PD/500- 60/Hydro
		Materiāla patēriņš uz 1 m ²									
Plāksne Nida Uguns Plus 12,5 mm	m ²	3,3	-	-	-	2,3	-	-	-	-	
Plāksne Nida Ūdens Uguns Plus 12,5 mm	m ²	-	3,3	-	-	-	-	-	-	-	
Plāksne Nida Cietā 12,5 mm	m ²	-	-	3,3	-	2,3	-	-	-	-	
Plāksne Nida Hydro 12,5 mm	m ²	-	-	-	3,3	-	2,3	-	-	-	
Plāksne Nida Uguns Plus 15,0 mm	m ²	-	-	-	-	1,0	-	-	4,3	-	
Plāksne Nida Cietā 15,0 mm	m ²	-	-	-	-	-	1,0	-	4,3	-	
Plāksne Nida Hydro 15,0 mm	m ²	-	-	-	-	-	1,0	-	-	4,3	
Profils Nida C50	tek.m	2,2	2,2	2,2	2,2	2,2	2,2	2,2	2,2	2,2	
Profils Nida U50	tek.m	0,75	0,75	0,75	0,75	0,75	0,75	0,75	0,75	0,75	
Kniedes	gab.	2,8	2,8	2,8	2,8	2,8	2,8	2,8	2,8	2,8	
Tērauda enkurošanas elements (tips atbilstoši būves svaram) ³⁾	gab.	1,7	1,7	1,7	1,7	1,7	1,7	1,7	1,7	1,7	
Pašurbjošās skrūves Nida 3,5x25 mm	gab.	15,0	15,0	-	-	15,0	-	-	15,0	-	
Pašurbjošās skrūves Nida 3,5x35 mm	gab.	6,0	6,0	-	-	6,0	-	-	-	-	
Pašurbjošās skrūves Nida 3,5x45 mm	gab.	-	-	-	-	-	-	-	6,0	-	
Pašurbjošās skrūves Nida 3,5x55 mm	gab.	18,0	18,0	-	-	18,0	-	-	6,0	-	
Pašurbjošās skrūves Nida 4,2x70 mm	gab.	-	-	-	-	-	-	-	18,0	-	
Pašurbjošās skrūves Nida Cietā 35 (3,9x35 mm)	gab.	-	-	21,0	-	-	21,0	-	-	15,0	
Pašurbjošās skrūves Nida Cietā 45 (3,9x45 mm)	gab.	-	-	-	-	-	-	-	6,0	-	
Pašurbjošās skrūves Nida Cietā 55 (3,9x55 mm)	gab.	-	-	18,0	-	-	18,0	-	-	6,0	
Pašurbjošās skrūves Nida Cietā 70 (4,2x70 mm)	gab.	-	-	-	-	-	-	-	-	18,0	
Pašurbjošās skrūves Nida Hydro C4 3,5x25 mm	gab.	-	-	-	15,0	-	-	15,0	-	-	
Pašurbjošās skrūves Nida Hydro C4 3,5x41 mm	gab.	-	-	-	6,0	-	-	6,0	-	6,0	
Pašurbjošās skrūves Nida Hydro C4 3,5x55 mm	gab.	-	-	-	18,0	-	-	18,0	-	6,0	
Pašurbjošās skrūves Nida Hydro C4 4,2x70 mm	gab.	-	-	-	-	-	-	-	-	18,0	
Līmīente šuvēm Nida	tek.m	1,4	1,4	1,4	1,4	1,4	1,4	1,4	1,4	1,4	
Ģipša špaktele Nida Start	kg	0,9	0,9	-	-	0,9	-	-	1,2	-	
Ģipša špaktele Nida Finisz	kg	0,1	0,1	-	-	0,1	-	-	0,1	-	
Gatavā špaktelmasa Nida Hydromix ⁴⁾	kg	-	-	1,0	1,0	-	1,0	1,0	-	1,3	

³⁾ Enkurošanas elementu tips un skaits jāizvēlas saskaņā ar shēmu, kas iekļauta ITB tehniskajā atzinumā Pašnesošie griesti: ITB 1060/12/R33NK.⁴⁾ Izmantojot ģipša šķiedru plāksnes Nida Cietā, kā alternatīvu varat izmantot arī Nida Planfix Fresh ģipša špaktelī.

Patēriņa standartos nav ņemti vērā materiālie zaudējumi.

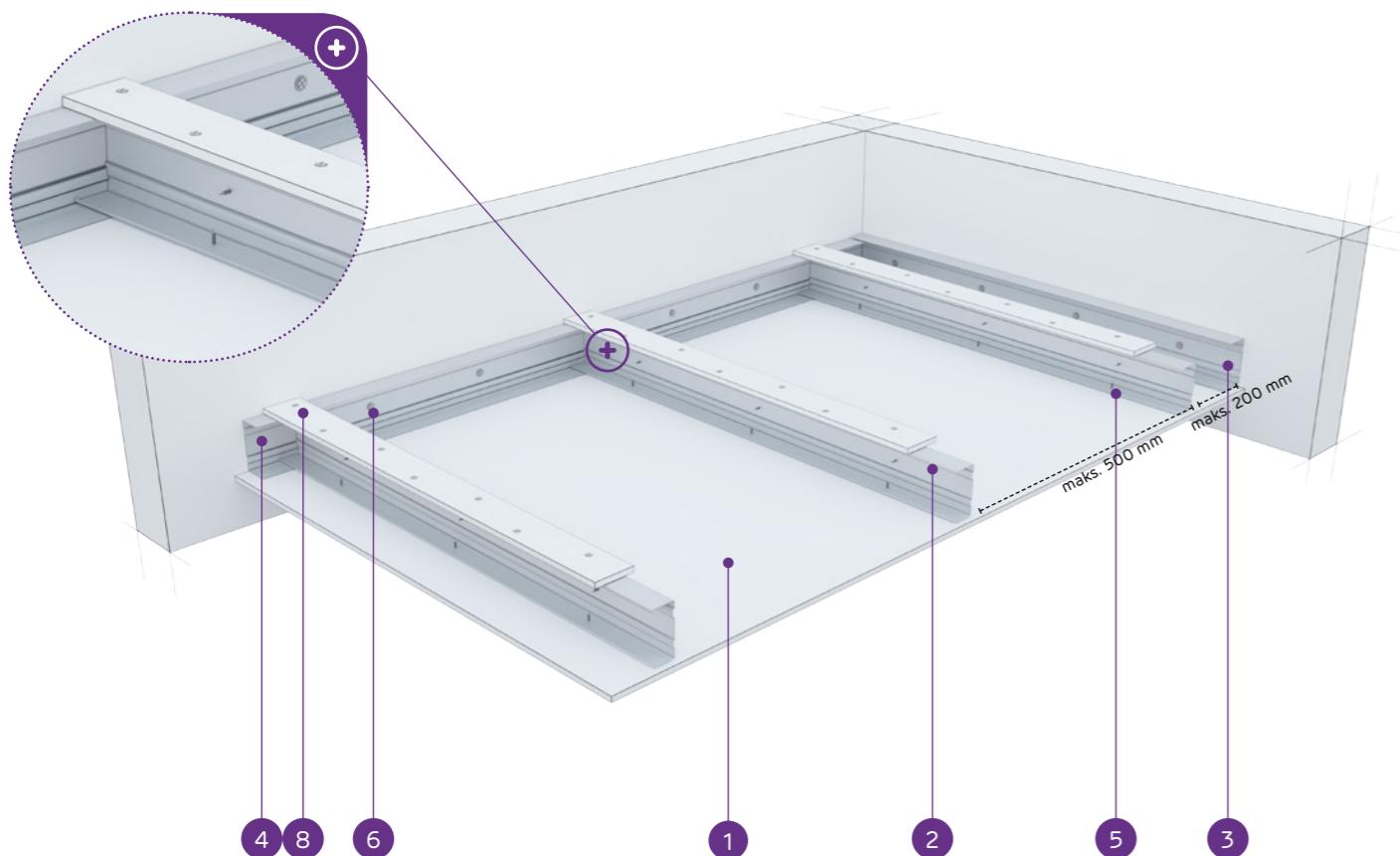


nida Griesti

Ugunsizturības
klase:
(R)EI15
(R)EI30Maksimālais
apdares
platums:
2970 mmMinimālais
piekāršanas
augstums:
85 mmBūves svars
1m²:
13,0-22,0 kgSaisītā
dokumenta
numurs:
EN13964:2004+A1Eksploatacijas īpašību deklarācija:
DoP/Ceiling System/0044/15.11.2016

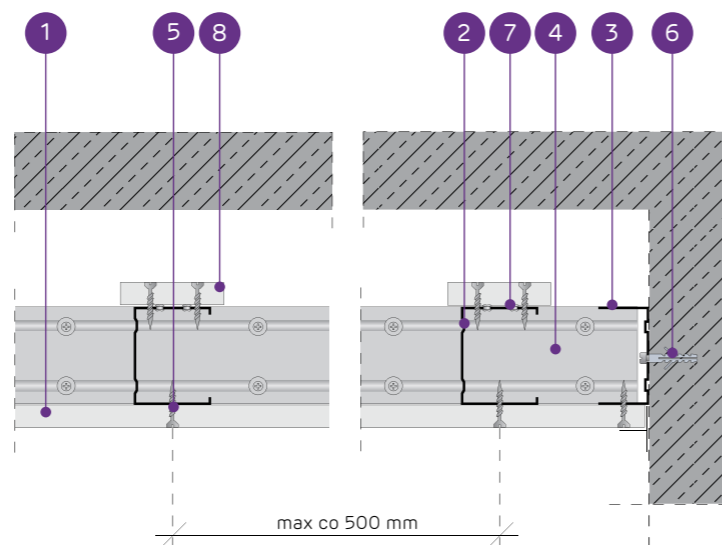
SISTĒMAS:

C75/U75/PD/500-12,5; C75/U75/PD/500-15; C75/U75/PD/500-18



MATERIĀLI:

1. Ģipškartona plāksnes Nida
2. Nesošais profils Nida C 75
3. Konstrukcijas profils Nida U 75
4. Nesošais profils Nida U 75
5. Pašurbjošā skrūve Nida 3,5 x 25 mm
6. Tērauda enkurošanas elements ar Tērauda paplāksni
7. Kniede
8. Pastiprinošā josla no 12,5 mm Nida ģipškartona plāksnes

PAŠNESOŠO GRIESTU SISTĒMA AR NIDA C75 KONSTRUKCIJU AR
PASTIPRINOŠO JOSLU

TEHNISKIE PARAMETRI

Sistēmas tips Nida Griesti	Režģa konstrukcija				Ģipša plākšņu apšuvums		Minimālais piekāršanas augstums	Būves svars 1 m ²	Ugunsizturības klase ¹⁾	Maksimālais griestu apdares platums ²⁾	Īpašā sistē- ma
	Nida nesošā profila tips	Nida nesošā perimetra profila tips	Nida konstruk- cijas perimetra profila tips	Maksimālais Nida C75 nesošo profilu atstatums	Nida	Biezums					
C75/U75/PD/500-12,5/Expert	C75	U75	U75	500	Expert	12,5	97,5	13,0	-	2970	-
C75/U75/PD/500-12,5/Ūdens ³⁾	C75	U75	U75	500	Ūdens	12,5	97,5	14,0	-	2970	-
C75/U75/PD/500-12,5/Uguns+	C75	U75	U75	500	Uguns Pluss	12,5	97,5	15,0	(R)EI15	2970	-
C75/U75/PD/500-12,5/ŪdensUguns+	C75	U75	U75	500	Ūdens Uguns Pluss	12,5	97,5	15,0	(R)EI15	2970	-
C75/U75/PD/500-12,5/Cietā	C75	U75	U75	500	Cietā	12,5	97,5	19,0	(R)EI15	2570	●
C75/U75/PD/500-12,5/Hydro	C75	U75	U75	500	Hydro	12,5	97,5	16,0	(R)EI15	2570	●
C75/U75/PD/500-15/Uguns+	C75	U75	U75	500	Uguns Pluss	15,0	100	20,0	(R)EI15	2570	-
C75/U75/PD/500-15/Cietā	C75	U75	U75	500	Cietā	15,0	100	22,0	(R)EI15	2290	●
C75/U75/PD/500-15/Hydro	C75	U75	U75	500	Hydro	15,0	100	20,0	(R)EI15	2570	●
C75/U75/PD/500-18/Uguns+	C75	U75	U75	500	Uguns Pluss	18,0	103	21,0	(R)EI30	2290	-

¹⁾ Ugunsdrošības klasifikācija LBO-458-K/17.²⁾ Tehniskais atzinums ITB 1060/12/R33NK.³⁾ Telpās ar relatīvo gaisa mitrumu līdz 85 % stūra sekcijās pret intensīvu ūdens iedarbību ieteicams izmantot Nida Hydro ģipša šķiedru plāksnes (horizontālām un vertikālām virsmām vannas, dušas utt. zonās).MATERIĀLU PATĒRIŅŠ UZ 1 M² GRIESTU APBŪVES NIDA GRIESTI SISTĒMĀ

Materiāla nosaukums	Mērv.	Sistēmas tips Nida Griesti									
		C75/U75/ PD/500- 12,5/ Expert	C75/U75/ PD/500- 12,5/ Ūdens	C75/ U75/ PD/500- 12,5/ Uguns+	C75/U75/ PD/500-12,5/ ŪdensUguns+	C75/U75/ PD/500- 12,5/Cietā	C75/U75/ PD/500- 12,5/Hydro	C75/U75/ PD/500- 15/Uguns+	C75/U75/ PD/500- 15/Cietā	C75/U75/ PD/500- 15/Hydro	C75/U75/ PD/500- 18/ Uguns+
		Materiāla patēriņš uz 1 m ²									
Plāksne Nida Expert 12,5 mm	m ²	1,3	-	-	-	-	-	-	-	-	-
Plāksne Nida Ūdens 12,5 mm	m ²	-	1,3	-	-	-	-	-	-	-	-
Plāksne Nida Uguns Pluss 12,5 mm	m ²	-	-	1,3	-	-	-	-	-	-	-
Plāksne Nida Ūdens Uguns Pluss 12,5 mm	m ²	-	-	-	1,3	-	-	-	-	-	-
Plāksne Nida Cietā 12,5 mm	m ²	-	-	-	-	1,3	-	-	-	-	-
Plāksne Nida Hydro 12,5 mm	m ²	-	-	-	-	-	1,3	-	-	-	-
Plāksne Nida Uguns Pluss 15,0 mm	m ²	-	-	-	-	-	-	1,3	-	-	-
Plāksne Nida Cietā 15,0 mm	m ²	-	-	-	-	-	-	-	1,3	-	-
Plāksne Nida Hydro 15,0 mm	m ²	-	-	-	-	-	-	-	-	1,3	-
Plāksne Nida Uguns Pluss 18,0 mm	m ²	-	-	-	-	-	-	-	-	-	1,3
Profils Nida C75	tek.m	2,2	2,2	2,2	2,2	2,2	2,2	2,2	2,2	2,2	2,2
Profils Nida U75	tek.m	0,75	0,75	0,75	0,75	0,75	0,75	0,75	0,75	0,75	0,75
Kniedes	gab.	2,8	2,8	2,8	2,8	2,8	2,8	2,8	2,8	2,8	2,8
Tērauda enkurošanas elements (tips atbilstoši būves svaram) ⁴⁾	gab.	1,7	1,7	1,7	1,7	1,7	1,7	1,7	1,7	1,7	1,7
Pašurbjošās skrūves Nida 3,5x25 mm	gab.	27,0	27,0	27,0	27,0	-	-	27,0	-	-	-
Pašurbjošās skrūves Nida 3,5x35 mm	gab.	-	-	-	-	-	-	-	-	-	27,0
Pašurbjošās skrūves Nida Cietā 35 (3,9x35 mm)	gab.	-	-	-	-	27,0	-	-	27,0	-	-
Pašurbjošās skrūves Nida Hydro C4 3,5x25 mm	gab.	-	-	-	-	-	27,0	-	-	27,0	-
Līmīente šuvēm Nida	tek.m	1,4	1,4	1,4	1,4	1,4	1,4	1,4	1,4	1,4	1,4
Ģipša špaktele Nida Start	kg	0,3	0,3	0,3	0,3	-	-	0,3	-	-	0,3
Ģipša špaktele Nida Finisz	kg	0,1	0,1	0,1	0,1	-	-	0,1	-	-	0,1
Gatavā špaktelmasa Nida Hydromix ⁵⁾	kg	-	-	-	-	0,4	0,4	-	0,4	0,4	-

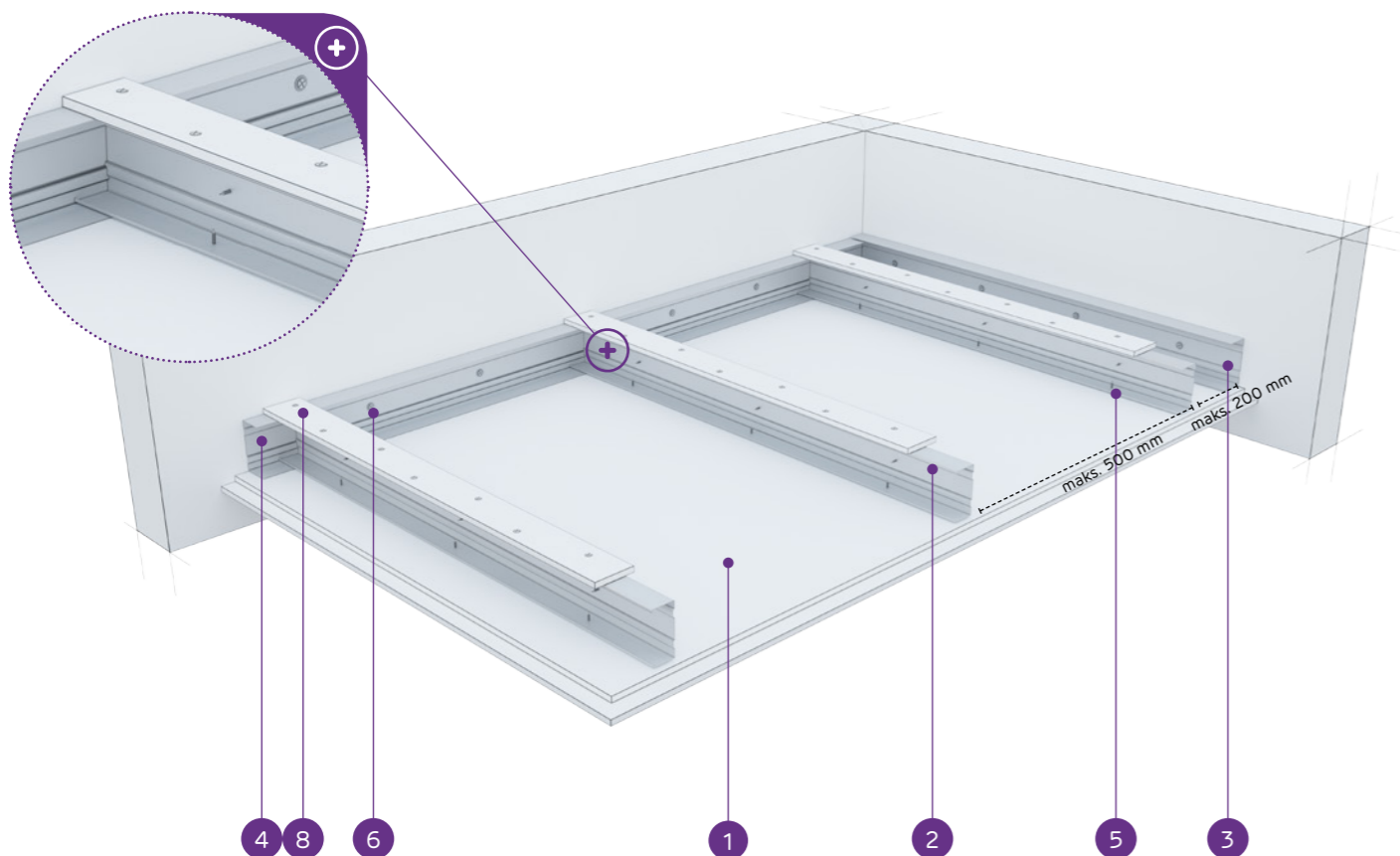
⁴⁾ Enkurošanas elementu tips un skaits jāizvēlas saskaņā ar shēmu, kas iekļauta ITB tehniskajā atzinumā Pašnesošie griesti: ITB 1060/12/R33NK.⁵⁾ Izmantojot ģipša šķiedru plāksnes Nida Cietā, kā alternatīvu varat izmantot arī Nida Planfix Fresh ģipša špakteļi. Patēriņa standartos nav ņemti vērā materiālie zaudējumi.

nida Griesti

Ugunsizturības
klase:
(R)EI45
(R)EI60Maksimālais
apdares
platums:
2370 mmMinimālais
piekāršanas
augstums:
85 mmBūves svars
1m²:
21,0-38,0 kgSaistītā
dokumenta
numurs:
EN13964:2004+A1Eksploatācijas īpašību deklarācija:
DoP/Ceiling System/0044/15.11.2016

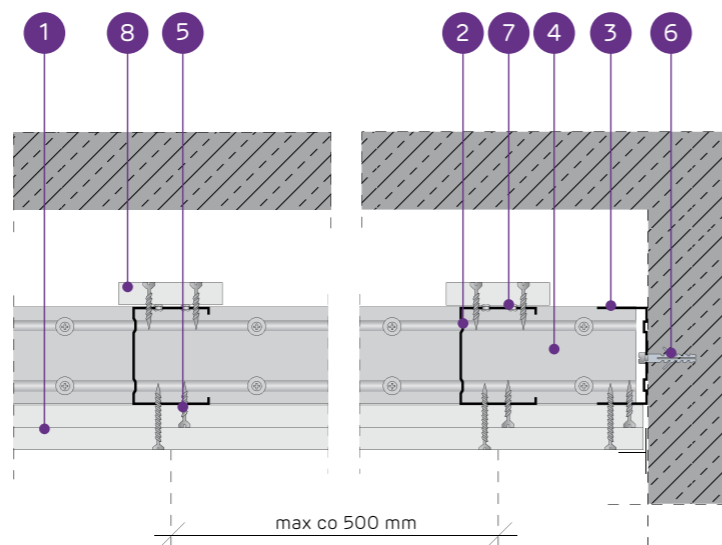
SISTĒMAS:

C75/U75/PD/500-25; C75/U75/PD/500-30



MATERIĀLI:

- Ģipškartona plāksnes Nida
- Nesošais profils Nida C 75
- Konstrukcijas profils Nida U 75
- Nesošais profils Nida U 75
- Pašurbjošā skrūve Nida 3,5 x 25 mm
- Tērauda enkurošanas elements ar Tērauda paplāksni
- Kniede
- Pastiprinošā josla no 12,5 mm Nida ģipškartona plāksnes

PAŠNESOŠO GRIESTU SISTĒMA AR NIDA C75 KONSTRUKCIJU AR
PASTIPRINOŠO JOSLU

TEHNISKIE PARAMETRI

Sistēmas tips Nida Griesti	Režģa konstrukcija				Ģipša plāksņu apšuvums	Minimālais piekāršanas augstums	Būves svars 1 m ²	Ugunsizturības klase ¹⁾	Maksimālais griestu apdares platums ²⁾	Īpašā sistē- ma	
	Nida nesošā profila tips	Nida nesošā perimetra profila tips	Nida konstruk- cijas perimetra profila tips	Maksimālais Nida C75 nesošo profilu atstatums [mm]							Nida
C75/U75/PD/500-25/Expert	C75	U75	U75	500	Expert	2x12,5	110	21,0	-	2370	-
C75/U75/PD/500-25/Ūdens ³⁾	C75	U75	U75	500	Ūdens	2x12,5	110	23,0	-	2370	-
C75/U75/PD/500-25/Uguns+	C75	U75	U75	500	Uguns Plus	2x12,5	110	26,0	(R)EI45	2160	-
C75/U75/PD/500-25/ŪdensUguns+	C75	U75	U75	500	Ūdens Uguns Plus	2x12,5	110	26,0	(R)EI45	2160	-
C75/U75/PD/500-25/Cietā	C75	U75	U75	500	Cietā	2x12,5	110	32,0	(R)EI45	2000	●
C75/U75/PD/500-25/Hydro	C75	U75	U75	500	Hydro	2x12,5	110	27,0	(R)EI45	2160	●
C75/U75/PD/500-30/Uguns+	C75	U75	U75	500	Uguns Plus	2x15,0	115	34,0	(R)EI60	2000	-
C75/U75/PD/500-30/Cietā	C75	U75	U75	500	Cietā	2x15,0	115	38,0	(R)EI60	1870	●
C75/U75/PD/500-30/Hydro	C75	U75	U75	500	Hydro	2x15,0	115	34,0	(R)EI60	2000	●

¹⁾ Ugunsdrošības klasifikācija LBO-458-K/17.²⁾ Tehniskais atzinums ITB 1060/12/R33NK.³⁾ Telpās ar relatīvo gaisa mitrumu līdz 85 % stūra sekcijās pret intensīvu ūdens iedarbību ieteicams izmantot Nida Hydro ģipša šķiedru plāksnes (horizontālām un vertikālām virsmām vannas, dušas utt. zonās).MATERIĀLU PATĒRIŅŠ UZ 1 M² GRIESTU APBŪVES NIDA GRIESTI SISTĒMĀ

Materiāla nosaukums	Mērv.	Sistēmas tips Nida Griesti									
		C75/U75/ PD/500- 25/Expert	C75/U75/ PD/500- 25/Ūdens	C75/U75/ PD/500- 25/Uguns+	C75/U75/ PD/500-25/ ŪdensUguns+	C75/U75/ PD/500- 25/Cietā	C75/U75/ PD/500- 25/Hydro	C75/U75/ PD/500- 30/Uguns+	C75/U75/ PD/500- 30/Cietā	C75/U75/ PD/500- 30/Hydro	
Materiāla patēriņš uz 1 m ²											
Plāksne Nida Expert 12,5 mm	m ²	2,3	-	-	-	-	-	-	-	-	-
Plāksne Nida Ūdens 12,5 mm	m ²	-	2,3	-	-	-	-	-	-	-	-
Plāksne Nida Uguns Plus 12,5 mm	m ²	-	-	2,3	-	-	-	-	-	-	-
Plāksne Nida Ūdens Uguns Plus 12,5 mm	m ²	-	-	-	2,3	-	-	-	-	-	-
Plāksne Nida Cietā 12,5 mm	m ²	-	-	-	-	2,3	-	-	-	-	-
Plāksne Nida Hydro 12,5 mm	m ²	-	-	-	-	-	2,3	-	-	-	-
Plāksne Nida Uguns Plus 15,0 mm	m ²	-	-	-	-	-	-	2,3	-	-	-
Plāksne Nida Cietā 15,0 mm	m ²	-	-	-	-	-	-	-	2,3	-	-
Plāksne Nida Hydro 15,0 mm	m ²	-	-	-	-	-	-	-	-	-	2,3
Profils Nida C75	tek.m	2,2	2,2	2,2	2,2	2,2	2,2	2,2	2,2	2,2	2,2
Profils Nida U75	tek.m	0,75	0,75	0,75	0,75	0,75	0,75	0,75	0,75	0,75	0,75
Kniedes	gab.	2,8	2,8	2,8	2,8	2,8	2,8	2,8	2,8	2,8	2,8
Tērauda enkurošanas elements (tips atbilstoši būves svaram) ⁴⁾	gab.	1,7	1,7	1,7	1,7	1,7	1,7	1,7	1,7	1,7	1,7
Pašurbjošās skrūves Nida 3,5x25 mm	gab.	15,0	15,0	15,0	15,0	-	-	15,0	-	-	-
Pašurbjošās skrūves Nida 3,5x35 mm	gab.	18,0	18,0	18,0	18,0	-	-	-	-	-	-
Pašurbjošās skrūves Nida 3,5x45 mm	gab.	-	-	-	-	-	-	18,0	-	-	-
Pašurbjošās skrūves Nida Cietā 35 (3,9x35 mm)	gab.	-	-	-	-	33,0	-	-	15,0	-	-
Pašurbjošās skrūves Nida Cietā 45 (3,9x45 mm)	gab.	-	-	-	-	-	-	-	18,0	-	-
Pašurbjošās skrūves Nida Hydro C4 3,5x25 mm	gab.	-	-	-	-	-	15,0	-	-	-	15,0
Pašurbjošās skrūves Nida Hydro C4 3,5x41 mm	gab.	-	-	-	-	-	18,0	-	-	-	18,0
Līmlente šuvēm Nida	tek.m	1,4	1,4	1,4	1,4	1,4	1,4	1,4	1,4	1,4	1,4
Ģipša špaktele Nida Start	kg	0,6	0,6	0,6	0,6	-	-	0,6	-	-	-
Ģipša špaktele Nida Finisz	kg	0,1	0,1	0,1	0,1	-	-	0,1	-	-	-
Gatavā špaktelmasa Nida Hydromix ⁵⁾	kg	-	-	-	-	0,7	0,7	-	0,7	-	0,7

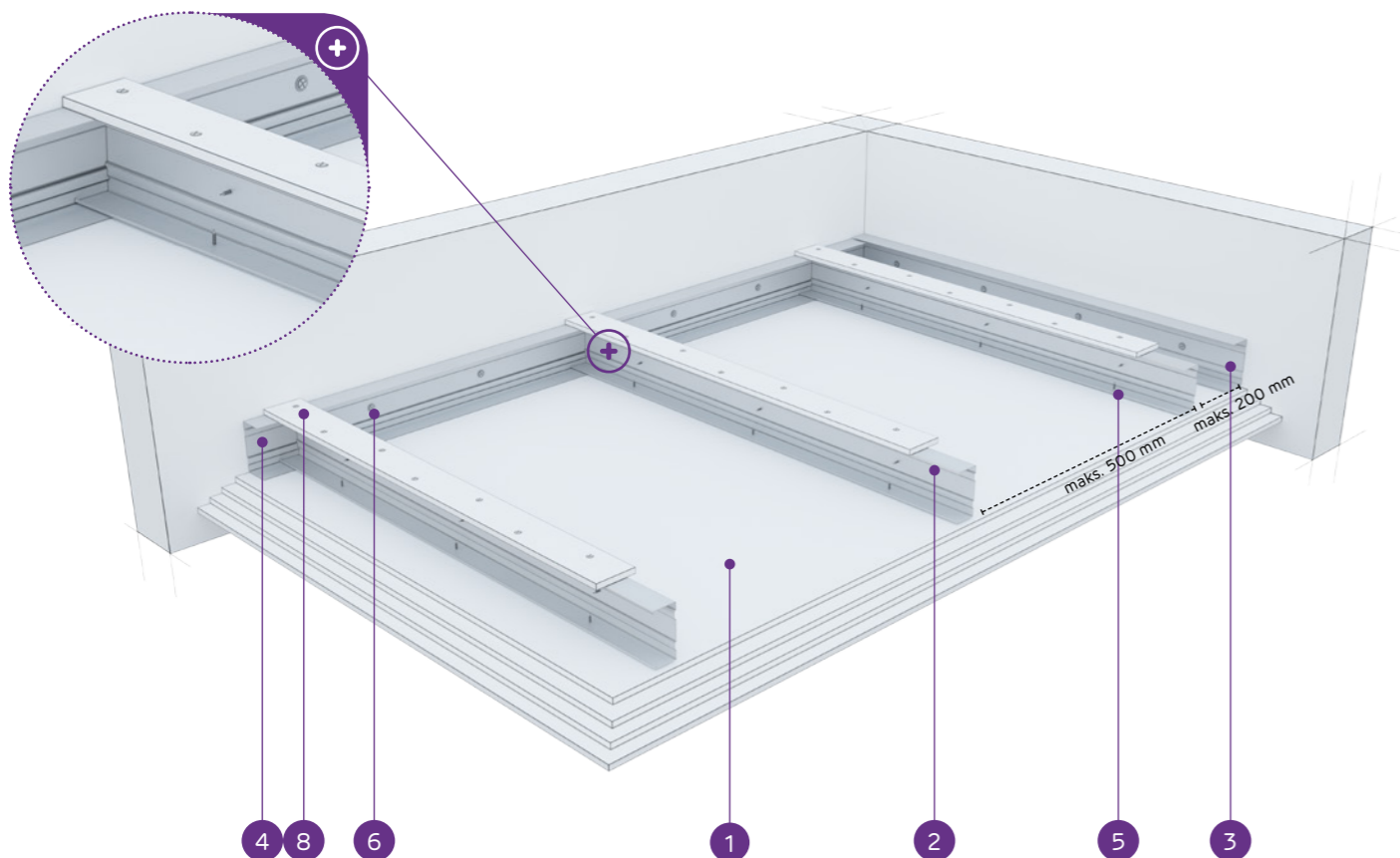
⁴⁾ Enkurošanas elementu tips un skaits jāizvēlas saskaņā ar shēmu, kas iekļauta ITB tehniskajā atzinumā Pašnesošie griesti: ITB 1060/12/R33NK.⁵⁾ Izmantojot ģipša šķiedru plāksnes Nida Cietā, kā alternatīvu varat izmantot arī Nida Planfix Fresh ģipša špakтели. Patēriņā standartos nav ņemti vērā materiālie zaudējumi.

nida Griesti

Ugunsizturības
klase:
(R)EI60
(R)EI90
(R)EI120Maksimālais
apdares
platums:
1870 mmMinimālais
piekāršanas
augstums:
85 mmBūves svars
1m²:
36,0-69,0 kgSaistītā
dokumenta
numurs:
EN13964:2004+A1Eksploatacijas īpašību deklarācija:
DoP/Ceiling System/0044/15.11.2016

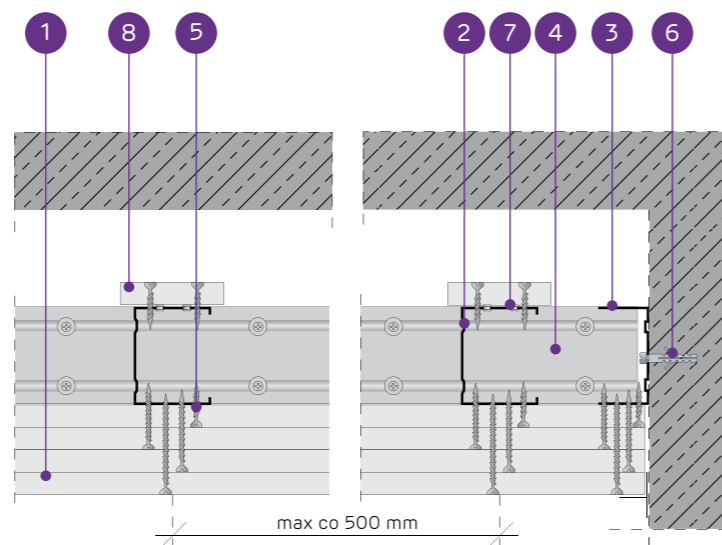
SISTĒMAS:

C75/U75/PD/500-37,5; C75/U75/PD/500-40; C75/U75/PD/500-60



MATERIĀLI:

- Ģipškartona plāksnes Nida
- Nesošais profils Nida C 75
- Konstrukcijas profils Nida U 75
- Nesošais profils Nida U 75
- Pašurbjošā skrūve Nida 3,5 x 25 mm
- Tērauda enkurošanas elements ar Tērauda paplāksni
- Kniede
- Pastiprinošā josla no 12,5 mm Nida ģipškartona plāksnes

PAŠNESOŠO GRIESTU SISTĒMA AR NIDA C75 KONSTRUKCIJU AR
PASTIPRINOŠO JOSLU

TEHNISKIE PARAMETRI

Sistēmas tips Nida Griesti	Režģa konstrukcija				Ģipša plākšņu apšuvums	Minimālais piekāršanas augstums	Būves svars 1 m ²	Ugunsizturības klase ¹⁾	Maksimālais griestu apdares platums ²⁾	Īpašā sistē- ma	
	Nida nesošā profila tips	Nida nesošā perimetra profila tips	Nida konstruk- cijas perimetra profila tips	Maksimālais Nida C75 nesošo profilu atstatums							
					[mm]	Nida	Biezums	[mm]	kg	[min.]	[mm]
C75/U75/PD/500-37,5/Uguns+	C75	U75	U75	500	Uguns Pluss	3x12,5	122,5	36,0	(R)EI60	1870	-
C75/U75/PD/500-37,5/ŪdensUguns+	C75	U75	U75	500	Ūdens Uguns Pluss	3x12,5	122,5	36,0	(R)EI60	1870	-
C75/U75/PD/500-37,5/Cietā	C75	U75	U75	500	Cietā	3x12,5	122,5	45,0	(R)EI60	1770	●
C75/U75/PD/500-37,5/Hydro	C75	U75	U75	500	Hydro	3x12,5	122,5	38,0	(R)EI60	1870	●
C75/U75/PD/500-40/Uguns+	C75	U75	U75	500	Uguns Pluss	2x12,5+15,0	125	39,0	(R)EI90	1870	-
C75/U75/PD/500-40/Cietā	C75	U75	U75	500	Cietā	2x12,5+15,0	125	48,0	(R)EI90	1680	●
C75/U75/PD/500-40/Hydro	C75	U75	U75	500	Hydro	2x12,5+15,0	125	41,0	(R)EI90	1770	●
C75/U75/PD/500-60/Uguns+	C75	U75	U75	500	Uguns Pluss	4x15,0	145	61,0	(R)EI120	1470	-
C75/U75/PD/500-60/Cietā	C75	U75	U75	500	Cietā	4x15,0	145	69,0	(R)EI120	1420	●
C75/U75/PD/500-60/Hydro	C75	U75	U75	500	Hydro	4x15,0	145	61,0	(R)EI120	1470	●

¹⁾ Ugunsdrošības klasifikācija LBO-458-K/17.²⁾ Tehniskais atzinums ITB 1060/12/R33NK.MATERIĀLU PATĒRIŅŠ UZ 1 M² GRIESTU APBŪVES NIDA GRIESTI SISTĒMĀ

Materiāla nosaukums	Mērv.	Sistēmas tips Nida Griesti									
		C75/U75/ PD/500- 37,5/ Uguns+	C75/U75/ PD/500-37,5/ ŪdensUguns+	C75/U75/ PD/500- 37,5/Cietā	C75/U75/ PD/500- 37,5/Hydro	C75/U75/ PD/500- 40/ Uguns+	C75/U75/ PD/500- 40/Cietā	C75/U75/ PD/500- 40/Hydro	C75/U75/ PD/500- 60/ Uguns+	C75/U75/ PD/500- 60/Cietā	C75/U75/ PD/500- 60/Hydro
Materiālu patēriņš uz 1 m ²											
Plāksne Nida Uguns Pluss 12,5 mm	m ²	3,3	-	-	-	2,3	-	-	-	-	-
Plāksne Nida Ūdens Uguns Pluss 12,5 mm	m ²	-	3,3	-	-	-	-	-	-	-	-
Plāksne Nida Cietā 12,5 mm	m ²	-	-	3,3	-	-	2,3	-	-	-	-
Plāksne Nida Hydro 12,5 mm	m ²	-	-	-	3,3	-	-	2,3	-	-	-
Plāksne Nida Uguns Pluss 15,0 mm	m ²	-	-	-	-	1,0	-	-	4,3	-	-
Plāksne Nida Cietā 15,0 mm	m ²	-	-	-	-	-	1,0	-	-	4,3	-
Plāksne Nida Hydro 15,0 mm	m ²	-	-	-	-	-	-	1,0	-	-	4,3
Profils Nida C75	tek.m	2,2	2,2	2,2	2,2	2,2	2,2	2,2	2,2	2,2	2,2
Profils Nida U75	tek.m	0,75	0,75	0,75	0,75	0,75	0,75	0,75	0,75	0,75	0,75
Kniedes	gab.	2,8	2,8	2,8	2,8	2,8	2,8	2,8	2,8	2,8	2,8
Tērauda enkurošanas elements (tips atbilstoši būves svaram) ³⁾	gab.	1,7	1,7	1,7	1,7	1,7	1,7	1,7	1,7	1,7	1,7
Pašurbjošās skrūves Nida 3,5x25 mm	gab.	15,0	15,0	-	-	15,0	-	-	15,0	-	-
Pašurbjošās skrūves Nida 3,5x35 mm	gab.	6,0	6,0	-	-	6,0	-	-	-	-	-
Pašurbjošās skrūves Nida 3,5x45 mm	gab.	-	-	-	-	-	-	-	6,0	-	-
Pašurbjošās skrūves Nida 3,5x55 mm	gab.	18,0	18,0	-	-	18,0	-	-	6,0	-	-
Pašurbjošās skrūves Nida 4,2x70 mm	gab.	-	-	-	-	-	-	-	18,0	-	-
Pašurbjošās skrūves Nida Cietā 35 (3,9x35 mm)	gab.	-	-	21,0	-	-	21,0	-	-	15,0	-
Pašurbjošās skrūves Nida Cietā 45 (3,9x45 mm)	gab.	-	-	-	-	-	-	-	-	6,0	-
Pašurbjošās skrūves Nida Cietā 55 (3,9x55 mm)	gab.	-	-	18,0	-	-	18,0	-	-	6,0	-
Pašurbjošās skrūves Nida Cietā 70 (4,2x70 mm)	gab.	-	-	-	-	-	-	-	-	18,0	-
Pašurbjošās skrūves Nida Hydro C4 3,5x25 mm	gab.	-	-	-	15,0	-	-	15,0	-	-	15,0
Pašurbjošās skrūves Nida Hydro C4 3,5x41 mm	gab.	-	-	-	6,0	-	-	6,0	-	-	6,0
Pašurbjošās skrūves Nida Hydro C4 3,5x55 mm	gab.	-	-	-	18,0	-	-	18,0	-	-	6,0
Pašurbjošās skrūves Nida Hydro C4 4,2x70 mm	gab.	-	-	-	-	-	-	-	-	-	18,0
Līmīlente šuvēm Nida	tek.m	1,4	1,4	1,4	1,4	1,4	1,4	1,4	1,4	1,4	1,4
Ģipša špaktele Nida Start	kg	0,9	0,9	-	-	0,9	-	-	1,2	-	-
Ģipša špaktele Nida Finisz	kg	0,1	0,1	-	-	0,1	-	-	0,1	-	-
Gatavā špaktelmasa Nida Hydromix ⁴⁾	kg	-	-	1,0	1,0	-	1,0	1,0	-	1,3	1,3

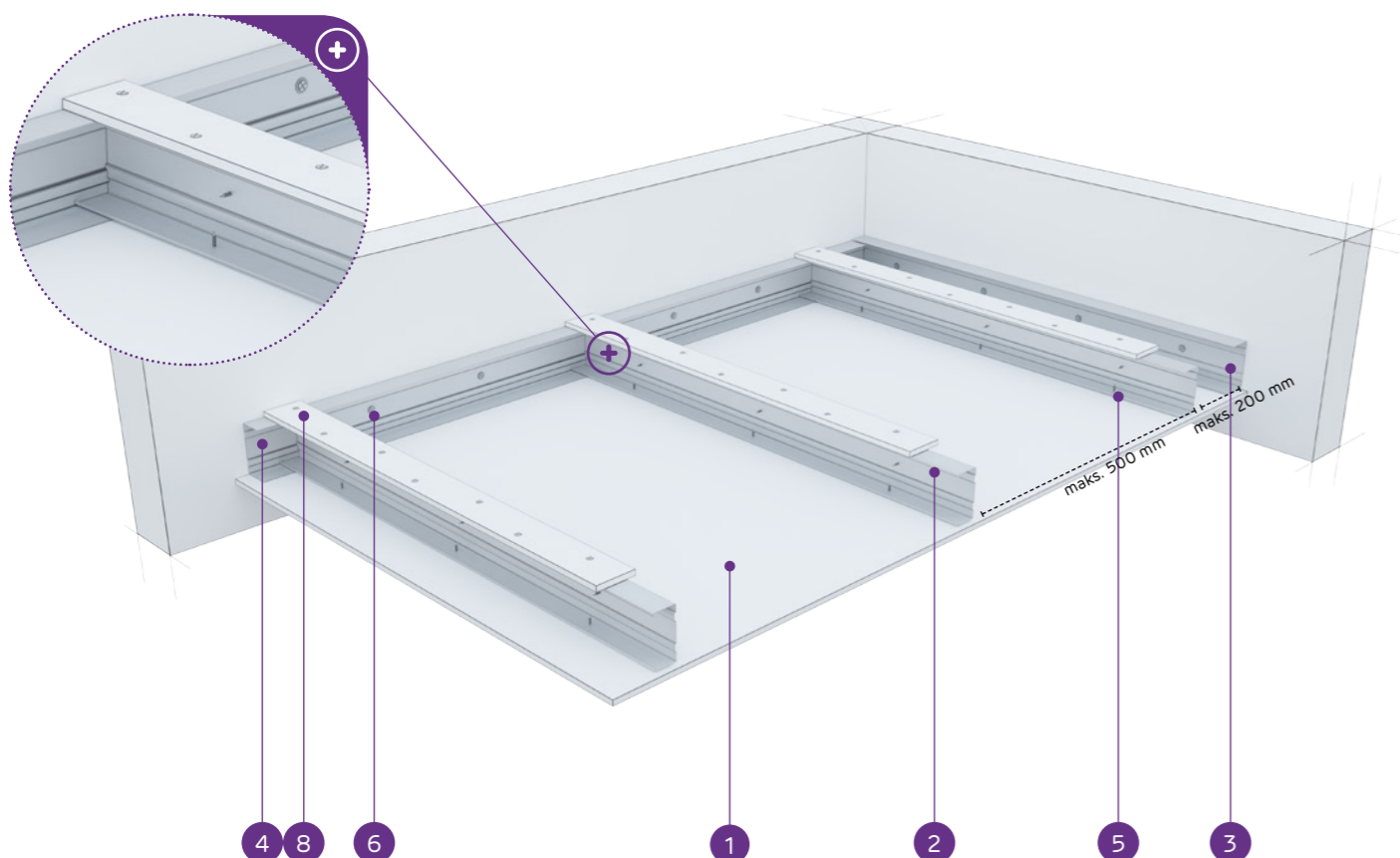
³⁾ Enkurošanas elementu tips un skaits jāizvēlas saskaņā ar shēmu, kas iekļauta ITB tehniskajā atzinumā Pašnesošie griesti: ITB 1060/12/R33NK.⁴⁾ Izmantojot ģipša šķiedru plāksnes Nida Cietā, kā alternatīvu varat izmantot arī Nida Planfix Fresh ģipša špakteļi. Patēriņa standartos nav ņemti vērā materiālie zaudējumi.

nida Griesti

Ugunsizturības
klase:
(R)EI15
(R)EI30Maksimālais
apdares
platums:
3490 mmMinimālais
piekāršanas
augstums:
110 mmBūves svars
1m²:
13,0-22,0 kgSaistītā
dokumenta
numurs:
EN13964:2004+A1Eksploatacijas īpašību deklarācija:
DoP/Ceiling System/0046/15.11.2016

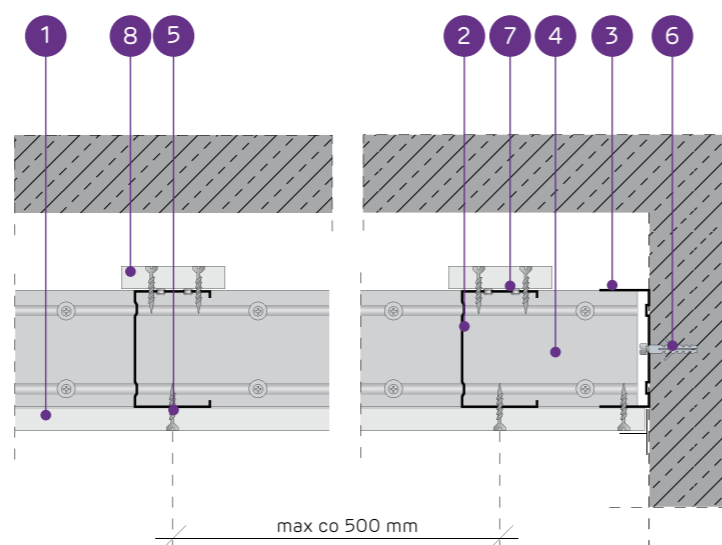
SISTĒMAS:

C100/U100/PD/500-12,5; C100/U100/PD/500-15; C100/U100/PD/500-18



MATERIĀLI:

- Ģipškartona plāksnes Nida
- Nesošais profils Nida C 100
- Konstrukcijas profils Nida U 100
- Nesošais profils Nida U 100
- Pašurbjošā skrūve Nida 3,5 x 25 mm
- Tērauda enkurošanas elements ar Tērauda paplāksni
- Kniede
- Pastiprinošā josla no 12,5 mm Nida ģipškartona plāksnes

PAŠNESOŠO GRIESTU SISTĒMA AR NIDA C100 KONSTRUKCIJU AR
PASTIPRINOŠO JOSLU

TEHNISKIE PARAMETRI

Sistēmas tips Nida Griesti	Režģa konstrukcija				Ģipša plākšņu apšuvums		Minimālais piekāršanas augstums	Būves svars 1 m ²	Ugunsizturības klase ¹⁾	Maksimālais griestu apdares platums ²⁾	Īpašā sistē- ma
	Nida nesošā profila tips	Nida nesošā perimetra profila tips	Nida konstruk- cijas perimetra profila tips	Maksimālais Nida C100 nesošo profilu atstatums	Nida	Biezums					
			[mm]			[mm]	kg	[min.]	[mm]		
C100/U100/PD/500-12,5/Expert	C100	U100	U100	500	Expert	12,5	122,5	13,0	-	3490	-
C100/U100/PD/500-12,5/Ūdens ³⁾	C100	U100	U100	500	Ūdens	12,5	122,5	14,0	-	3490	-
C100/U100/PD/500-12,5/Uguns+	C100	U100	U100	500	Uguns Pluss	12,5	122,5	15,0	(R)EI15	3490	-
C100/U100/PD/500-12,5/ŪdensUguns+	C100	U100	U100	500	Ūdens Uguns Pluss	12,5	122,5	15,0	(R)EI15	3490	-
C100/U100/PD/500-12,5/Cietā	C100	U100	U100	500	Cietā	12,5	122,5	19,0	(R)EI15	3020	●
C100/U100/PD/500-12,5/Hydro	C100	U100	U100	500	Hydro	12,5	122,5	16,0	(R)EI15	3020	●
C100/U100/PD/500-15/Uguns+	C100	U100	U100	500	Uguns Pluss	15,0	125	20,0	(R)EI15	3020	-
C100/U100/PD/500-15/Cietā	C100	U100	U100	500	Cietā	15,0	125	22,0	(R)EI15	2700	●
C100/U100/PD/500-15/Hydro	C100	U100	U100	500	Hydro	15,0	125	20,0	(R)EI15	3020	●
C100/U100/PD/500-18/Uguns+	C100	U100	U100	500	Uguns Pluss	18,0	128	21,0	(R)EI30	2700	-

¹⁾ Ugunsdrošības klasifikācija LBO-458-K/17.²⁾ Tehniskais atzinums ITB 1060/12/R33NK.³⁾ Telpās ar relatīvo gaisa mitrumu līdz 85 % stūra sekcijās pret intensīvu ūdens iedarību ieteicams izmantot Nida Hydro ģipša šķiedru plāksnes (horizontālām un vertikālām virsmām vannas, dušas utt. zonās).MATERIĀLU PATĒRIŅŠ UZ 1 M² GRIESTU APBŪVES NIDA GRIESTI SISTĒMĀ

Materiāla nosaukums	Mērv.	Sistēmas tips Nida Griesti									
		C100/ U100/ PD/500- 12,5/ Expert	C100/ U100/ PD/500- 12,5/ Ūdens	C100/ U100/ PD/500- 12,5/ Uguns+	C100/U100/ PD/500-12,5/ ŪdensUguns+	C100/ U100/ PD/500- 12,5/Cietā	C100/ U100/ PD/500- 12,5/Hydro	C100/ U100/ PD/500- 15/Uguns+	C100/ U100/ PD/500- 15/Cietā	C100/ U100/ PD/500- 15/Hydro	C100/ U100/ PD/500- 18/ Uguns+
Materiāla patēriņš uz 1 m ²											
Plāksne Nida Expert 12,5 mm	m ²	1,3	-	-	-	-	-	-	-	-	-
Plāksne Nida Ūdens 12,5 mm	m ²	-	1,3	-	-	-	-	-	-	-	-
Plāksne Nida Uguns Pluss 12,5 mm	m ²	-	-	1,3	-	-	-	-	-	-	-
Plāksne Nida Ūdens Uguns Pluss 12,5 mm	m ²	-	-	-	1,3	-	-	-	-	-	-
Plāksne Nida Cietā 12,5 mm	m ²	-	-	-	-	1,3	-	-	-	-	-
Plāksne Nida Hydro 12,5 mm	m ²	-	-	-	-	-	1,3	-	-	-	-
Plāksne Nida Uguns Pluss 15,0 mm	m ²	-	-	-	-	-	-	1,3	-	-	-
Plāksne Nida Cietā 15,0 mm	m ²	-	-	-	-	-	-	-	1,3	-	-
Plāksne Nida Hydro 15,0 mm	m ²	-	-	-	-	-	-	-	-	1,3	-
Plāksne Nida Uguns Pluss 18,0 mm	m ²	-	-	-	-	-	-	-	-	-	1,3
Profils Nida C100	tek.m	2,2	2,2	2,2	2,2	2,2	2,2	2,2	2,2	2,2	2,2
Profils Nida U100	tek.m	0,75	0,75	0,75	0,75	0,75	0,75	0,75	0,75	0,75	0,75
Kniedes	gab.	2,8	2,8	2,8	2,8	2,8	2,8	2,8	2,8	2,8	2,8
Tērauda enkurošanas elements (tips atbilstoši būves svaram) ⁴⁾	gab.	1,7	1,7	1,7	1,7	1,7	1,7	1,7	1,7	1,7	1,7
Pašurbjošās skrūves Nida 3,5x25 mm	gab.	27,0	27,0	27,0	27,0	-	-	27,0	-	-	-
Pašurbjošās skrūves Nida 3,5x35 mm	gab.	-	-	-	-	-	-	-	-	-	27,0
Pašurbjošās skrūves Nida Cietā 35 (3,9x35 mm)	gab.	-	-	-	-	27,0	-	-	27,0	-	-
Pašurbjošās skrūves Nida Hydro C4 3,5x25 mm	gab.	-	-	-	-	-	27,0	-	-	27,0	-
Limente šuvēm Nida	tek.m	1,4	1,4	1,4	1,4	1,4	1,4	1,4	1,4	1,4	1,4
Ģipša špaktele Nida Start	kg	0,3	0,3	0,3	0,3	-	-	0,3	-	-	0,3
Ģipša špaktele Nida Finisz	kg	0,1	0,1	0,1	0,1	-	-	0,1	-	-	0,1
Gatavā špaktele/masa Nida Hydromix ⁵⁾	kg	-	-	-	-	0,4	0,4	-	0,4	0,4	-

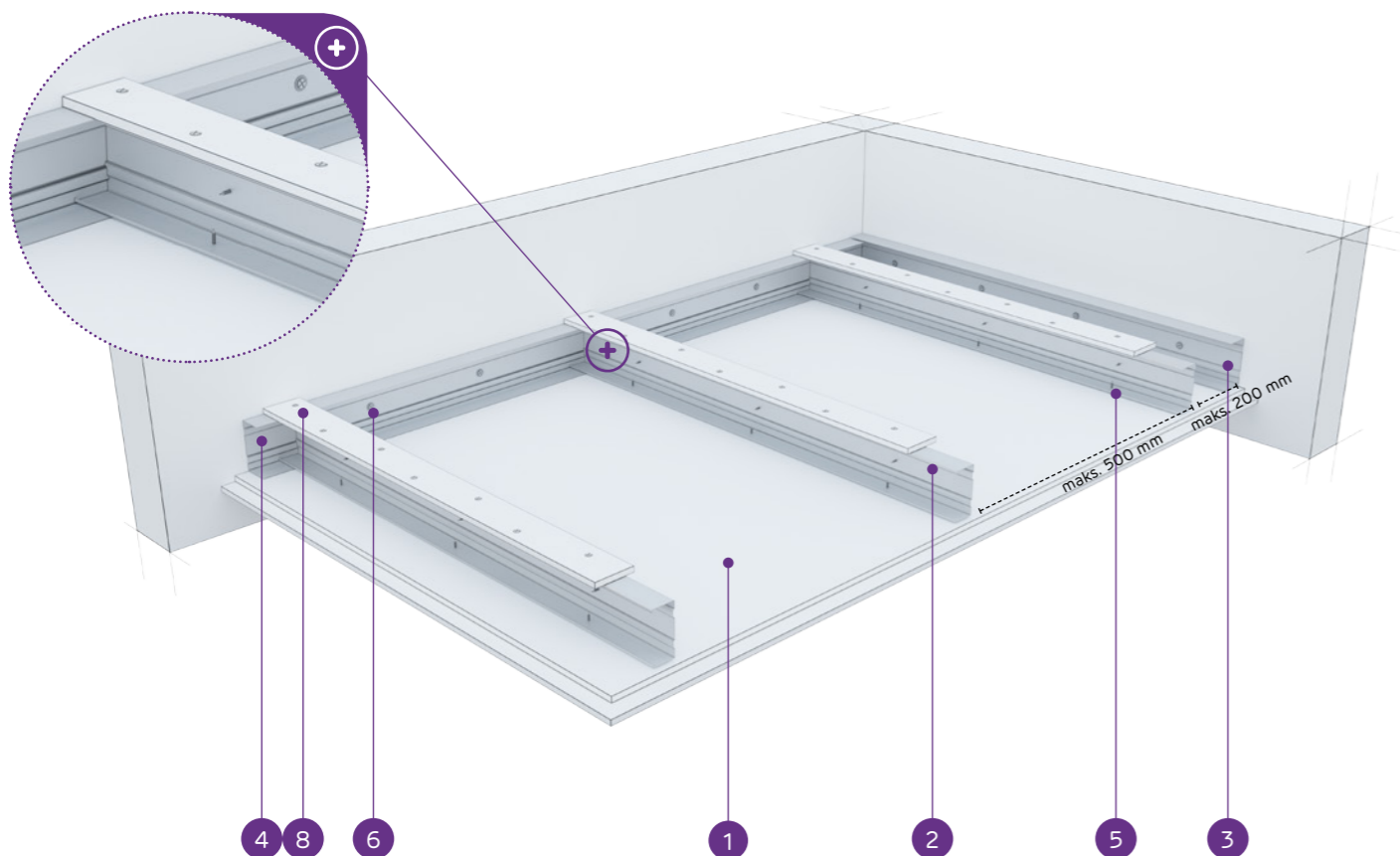
⁴⁾ Enkurošanas elementu tips un skaits jāizvēlas saskaņā ar shēmu, kas iekļauta ITB tehniskajā atzinumā Pašnesošie griesti: ITB 1060/12/R33NK.⁵⁾ Izmantojot ģipša šķiedru plāksnes Nida Cietā, kā alternatīvu varat izmantot arī Nida Planfix Fresh ģipša špakteļi. Patēriņa standartos nav ņemti vērā materiālie zaudējumi.

nida Griesti

Ugunsizturības
klase:
(R)EI45
(R)EI60Maksimālais
apdares
platums:
2790 mmMinimālais
piekāršanas
augstums:
110 mmBūves svars
1m²:
21,0-38,0 kgSaisītā
dokumenta
numurs:
EN13964:2004+A1Eksploatacijas īpašību deklarācija:
DoP/Ceiling System/0046/15.11.2016

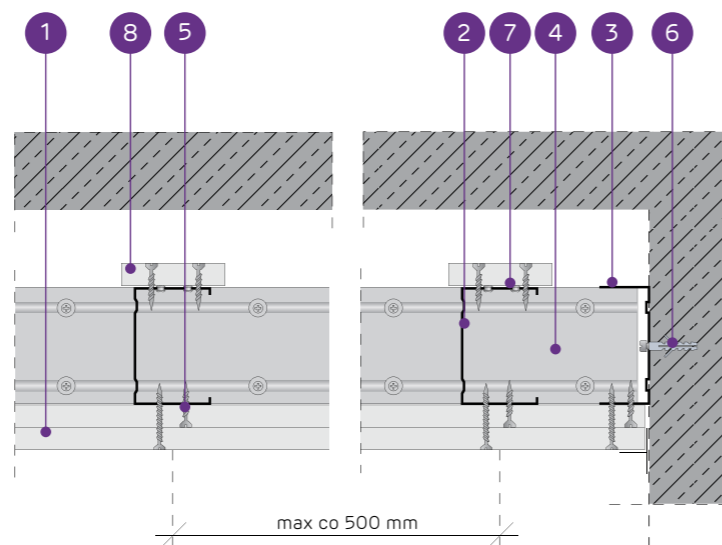
SISTĒMAS:

C100/U100/PD/500-25; C100/U100/PD/500-30



MATERIĀLI:

1. Ģipškartona plāksnes Nida
2. Nesošais profils Nida C 100
3. Konstruktīvais profils Nida U 100
4. Nesošais profils Nida U 100
5. Pašurbjošā skrūve Nida 3,5 x 25 mm
6. Tērauda enkurošanas elements ar Tērauda paplāksni
7. Kniede
8. Pastiprinošā josla no 12,5 mm Nida ģipškartona plāksnes

PAŠNESOŠO GRIESTU SISTĒMA AR NIDA C100 KONSTRUKCIJU AR
PASTIPRINOŠO JOSLU

TEHNISKIE PARAMETRI

Sistēmas tips Nida Griesti	Režģa konstrukcija				Ģipša plākšņu apšuvums		Minimālais piekāršanas augstums	Būves svars 1 m ²	Ugunsizturības klase ¹⁾	Maksimālais griestu apdares platums ²⁾	Īpašā sistē- ma
	Nida nesošā profila tips	Nida nesošā perimetra profila tips	Nida konstruk- cijas perimetra profila tips	Maksimālais Nida C100 nesošo profilu atstatums	Nida	Biezums					
C100/U100/PD/500-25/Expert	C100	U100	U100	500	Expert	2x12,5	135	21,0	-	2790	-
C100/U100/PD/500-25/Ūdens ³⁾	C100	U100	U100	500	Ūdens	2x12,5	135	23,0	-	2790	-
C100/U100/PD/500-25/Uguns+	C100	U100	U100	500	Uguns Pluss	2x12,5	135	26,0	(R)EI45	2550	-
C100/U100/PD/500-25/ŪdensUguns+	C100	U100	U100	500	Ūdens Uguns Pluss	2x12,5	135	26,0	(R)EI45	2550	-
C100/U100/PD/500-25/Cietā	C100	U100	U100	500	Cietā	2x12,5	135	32,0	(R)EI45	2360	●
C100/U100/PD/500-25/Hydro	C100	U100	U100	500	Hydro	2x12,5	135	28,0	(R)EI45	2550	●
C100/U100/PD/500-30/Uguns+	C100	U100	U100	500	Uguns Pluss	2x15,0	140	34,0	(R)EI60	2360	-
C100/U100/PD/500-30/Cietā	C100	U100	U100	500	Cietā	2x15,0	140	38,0	(R)EI60	2200	●
C100/U100/PD/500-30/Hydro	C100	U100	U100	500	Hydro	2x15,0	140	34,0	(R)EI60	2360	●

¹⁾ Ugunsdrošības klasifikācija LBO-458-K/17.²⁾ Tehniskais atzinums ITB 1060/12/R33NK.³⁾ Telpās ar relatīvo gaisa mitrumu līdz 85% stūra sekcijās pret intensīvu ūdens iedarbību ieteicams izmantot Nida Hydro ģipša šķiedru plāksnes (horizontālām un vertikālām virsmām vannas, dušas utt. zonās).MATERIĀLU PATĒRIŅŠ UZ 1 M² GRIESTU APBŪVES NIDA GRIESTI SISTĒMĀ

Materiāla nosaukums	Mērv.	Sistēmas tips Nida Griesti									
		C100/ U100/ PD/500-25/ Expert	C100/ U100/ PD/500-25/ Ūdens	C100/ U100/ PD/500-25/ Uguns+	C100/U100/ PD/500-25/ ŪdensUguns+	C100/ U100/ PD/500-25/ Cietā	C100/ U100/ PD/500-25/ Hydro	C100/ U100/ PD/500-30/ Uguns+	C100/ U100/ PD/500-30/ Cietā	C100/ U100/ PD/500-30/ Hydro	
		Materiāla patēriņš uz 1 m ²									
Plāksne Nida Expert 12,5 mm	m ²	2,3	-	-	-	-	-	-	-	-	
Plāksne Nida Ūdens 12,5 mm	m ²	-	2,3	-	-	-	-	-	-	-	
Plāksne Nida Uguns Pluss 12,5 mm	m ²	-	-	2,3	-	-	-	-	-	-	
Plāksne Nida Ūdens Uguns Pluss 12,5 mm	m ²	-	-	-	2,3	-	-	-	-	-	
Plāksne Nida Cietā 12,5 mm	m ²	-	-	-	-	2,3	-	-	-	-	
Plāksne Nida Hydro 12,5 mm	m ²	-	-	-	-	-	2,3	-	-	-	
Plāksne Nida Uguns Pluss 15,0 mm	m ²	-	-	-	-	-	-	2,3	-	-	
Plāksne Nida Cietā 15,0 mm	m ²	-	-	-	-	-	-	-	2,3	-	
Plāksne Nida Hydro 15,0 mm	m ²	-	-	-	-	-	-	-	-	2,3	
Profils Nida C100	tek.m	2,2	2,2	2,2	2,2	2,2	2,2	2,2	2,2	2,2	
Profils Nida U100	tek.m	0,75	0,75	0,75	0,75	0,75	0,75	0,75	0,75	0,75	
Kniedes	gab.	2,8	2,8	2,8	2,8	2,8	2,8	2,8	2,8	2,8	
Tērauda enkurošanas elements (tips atbilstoši būves svaram) ⁴⁾	gab.	1,7	1,7	1,7	1,7	1,7	1,7	1,7	1,7	1,7	
Pašurbjošās skrūves Nida 3,5x25 mm	gab.	15,0	15,0	15,0	15,0	-	-	15,0	-	-	
Pašurbjošās skrūves Nida 3,5x35 mm	gab.	18,0	18,0	18,0	18,0	-	-	-	-	-	
Pašurbjošās skrūves Nida 3,5x45 mm	gab.	-	-	-	-	-	-	18,0	-	-	
Pašurbjošās skrūves Nida Cietā 35 (3,9x35 mm)	gab.	-	-	-	-	33,0	-	-	15,0	-	
Pašurbjošās skrūves Nida Cietā 45 (3,9x45 mm)	gab.	-	-	-	-	-	-	-	18,0	-	
Pašurbjošās skrūves Nida Hydro C4 3,5x25 mm	gab.	-	-	-	-	-	15,0	-	-	15,0	
Pašurbjošās skrūves Nida Hydro C4 3,5x41 mm	gab.	-	-	-	-	-	18,0	-	-	18,0	
Līmlente šuvēm Nida	tek.m	1,4	1,4	1,4	1,4	1,4	1,4	1,4	1,4	1,4	
Ģipša špaktele Nida Start	kg	0,6	0,6	0,6	0,6	-	-	0,6	-	-	
Ģipša špaktele Nida Finisz	kg	0,1	0,1	0,1	0,1	-	-	0,1	-	-	
Gatavā špaktelmasa Nida Hydromix ⁵⁾	kg	-	-	-	-	0,7	0,7	-	0,7	0,7	

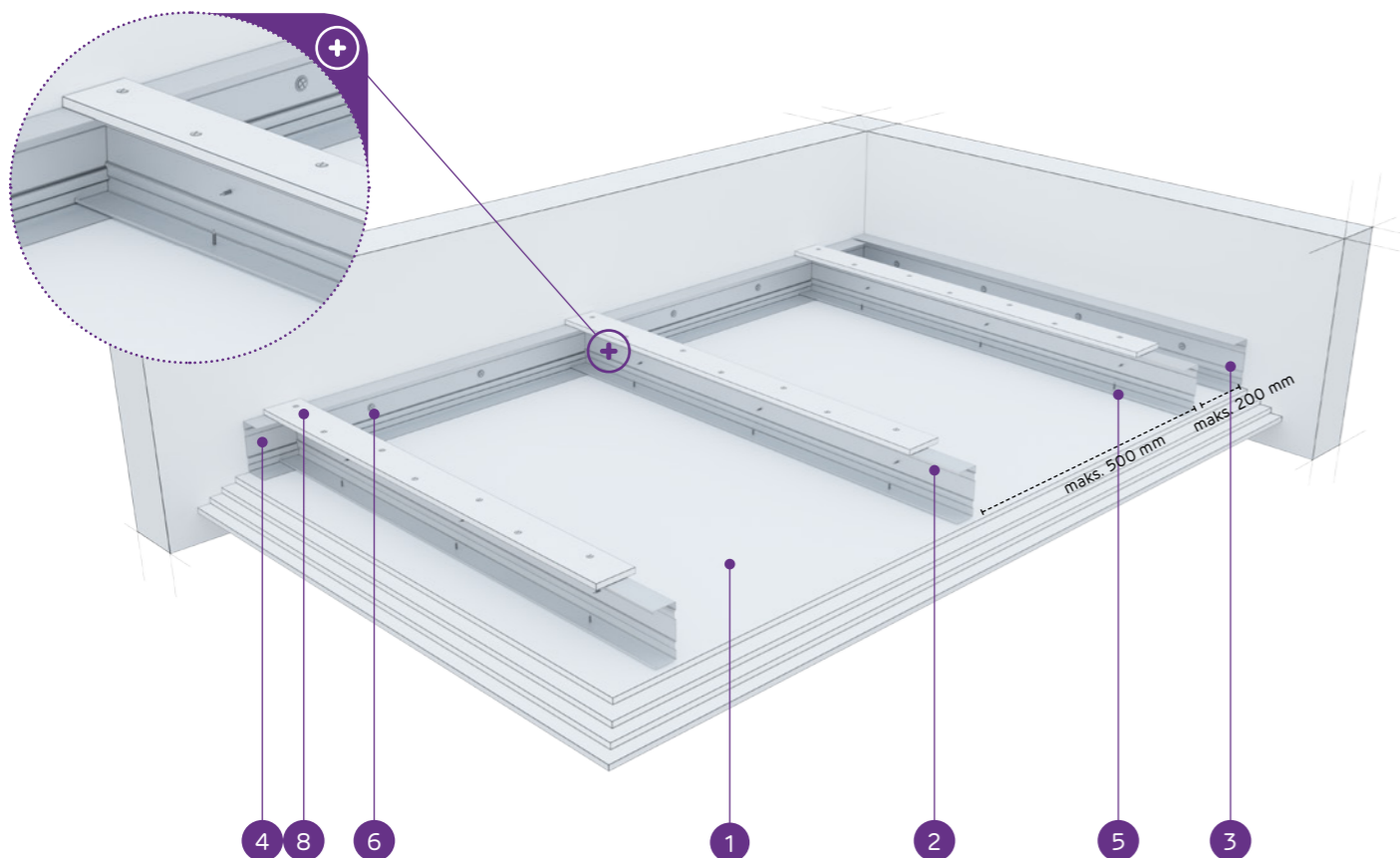
⁴⁾ Enkurošanas elementu tips un skaits jāizvēlas saskaņā ar shēmu, kas iekļauta ITB tehniskajā atzinumā Pašnesošie griesti: ITB 1060/12/R33NK.⁵⁾ Izmantojot ģipša šķiedru plāksnes Nida Cietā, kā alternatīvu varat izmantot arī Nida Planfix Fresh ģipša špaktelī. Patēriņa standartos nav ņemti vērā materiālie zaudējumi.

nida Griesti

Ugunsizturības
klase:
(R)EI60
(R)EI90
(R)EI120Maksimālais
apdares
platums:
2200 mmMinimālais
piekāršanas
augstums:
110 mmBūves svars
1m²:
36,0-70,0 kgSaistītā
dokumenta
numurs:
EN13964:2004+A1Eksploatacijas īpašību deklarācija:
DoP/Ceiling System/0046/15.11.2016

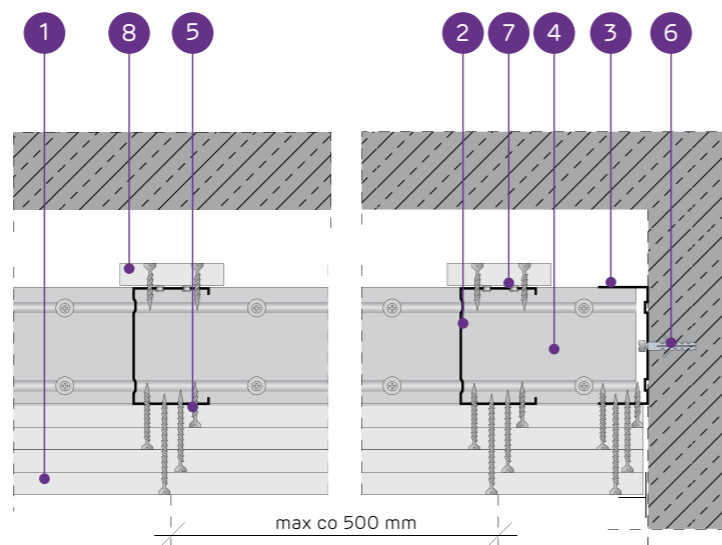
SISTĒMAS:

C100/U100/PD/500-37,5; C100/U100/PD/500-40; C100/U100/PD/500-60



MATERIĀLI:

- Ģipškartona plāksnes Nida
- Nesošais profils Nida C 100
- Konstrukcijas profils Nida U 100
- Nesošais profils Nida U 100
- Pašurbjošā skrūve Nida 3,5 x 25 mm
- Tērauda enkurošanas elements ar Tērauda paplāksni
- Kniede
- Pastiprinošā josla no 12,5 mm Nida ģipškartona plāksnes



PAŠNESOŠO GRIESTU SISTĒMA AR NIDA C100 KONSTRUKCIJU AR PASTIPRINOŠO JOSLU

TEHNISKIE PARAMETRI

Sistēmas tips Nida Griesti	Režģa konstrukcija				Ģipša plākšņu apšuvums		Minimālais piekārša- nas augstums	Būves svars 1 m ²	Ugunsizturības klase ¹⁾	Maksimālais griestu apdares platums ²⁾	Īpašā sistē- ma
	Nida nesošā profila tips	Nida nesošā perimetra profila tips	Nida konstruk- cijas perimetra profila tips	Maksimālais Nida C100 nesošo profilu atstatums	[mm]						
					Nida	Biezums					
C100/U100/PD/500-37,5/Uguns+	C100	U100	U100	500	Uguns Pluss	3x12,5	147,5	36,0	(R)EI60	2200	-
C100/U100/PD/500-37,5/ŪdensUguns+	C100	U100	U100	500	Ūdens Uguns Pluss	3x12,5	147,5	36,0	(R)EI60	2200	-
C100/U100/PD/500-37,5/Cietā	C100	U100	U100	500	Cietā	3x12,5	147,5	45,0	(R)EI60	2080	●
C100/U100/PD/500-37,5/Hydro	C100	U100	U100	500	Hydro	3x12,5	147,5	39,0	(R)EI60	2200	●
C100/U100/PD/500-40/Uguns+	C100	U100	U100	500	Uguns Pluss	2x12,5+15,0	150	40,0	(R)EI90	2200	-
C100/U100/PD/500-40/Cietā	C100	U100	U100	500	Cietā	2x12,5+15,0	150	48,0	(R)EI90	1970	●
C100/U100/PD/500-40/Hydro	C100	U100	U100	500	Hydro	2x12,5+15,0	150	41,0	(R)EI90	2080	●
C100/U100/PD/500-60/Uguns+	C100	U100	U100	500	Uguns Pluss	4x15,0	170	61,0	(R)EI120	1730	-
C100/U100/PD/500-60/Cietā	C100	U100	U100	500	Cietā	4x15,0	170	70,0	(R)EI120	1670	●
C100/U100/PD/500-60/Hydro	C100	U100	U100	500	Hydro	4x15,0	170	61,0	(R)EI120	1730	●

¹⁾ Ugunsdrošības klasifikācija LBO-458-K/17.²⁾ Tehniskais atzinums ITB 1060/12/R33NK.MATERIĀLU PATĒRĪŅŠ UZ 1 M² GRIESTU APBŪVES NIDA GRIESTI SISTĒMĀ

Materiāla nosaukums	Mērv.	Sistēmas tips Nida Griesti										
		C100/ U100/ PD/500- 37,5/ Uguns+	C100/U100/ PD/500-37,5/ ŪdensUguns+	C100/ U100/ PD/500- 37,5/Cietā	C100/U100/ PD/500- 37,5/Hydro	C100/ U100/ PD/500- 40/ Uguns+	C100/ U100/ PD/500- 40/Cietā	C100/ U100/ PD/500- 40/Hydro	C100/ U100/ PD/500- 60/ Uguns+	C100/ U100/ PD/500- 60/Cietā	C100/ U100/ PD/500- 60/Hydro	
Materiāla patēriņš uz 1 m ²												
Plāksne Nida Uguns Pluss 12,5 mm	m ²	3,3	-	-	-	2,3	-	-	-	-	-	-
Plāksne Nida Ūdens Uguns Pluss 12,5 mm	m ²	-	3,3	-	-	-	-	-	-	-	-	-
Plāksne Nida Cietā 12,5 mm	m ²	-	-	3,3	-	-	2,3	-	-	-	-	-
Plāksne Nida Hydro 12,5 mm	m ²	-	-	-	3,3	-	-	2,3	-	-	-	-
Plāksne Nida Uguns Pluss 15,0 mm	m ²	-	-	-	-	1,0	-	-	4,3	-	-	-
Plāksne Nida Cietā 15,0 mm	m ²	-	-	-	-	-	1,0	-	-	4,3	-	-
Plāksne Nida Hydro 15,0 mm	m ²	-	-	-	-	-	-	1,0	-	-	-	4,3
Profils Nida C100	tek.m	2,2	2,2	2,2	2,2	2,2	2,2	2,2	2,2	2,2	2,2	2,2
Profils Nida U100	tek.m	0,75	0,75	0,75	0,75	0,75	0,75	0,75	0,75	0,75	0,75	0,75
Kniedes	gab.	2,8	2,8	2,8	2,8	2,8	2,8	2,8	2,8	2,8	2,8	2,8
Tērauda enkurošanas elements (tips atbilstoši būves svaram) ³⁾	gab.	1,7	1,7	1,7	1,7	1,7	1,7	1,7	1,7	1,7	1,7	1,7
Pašurbjošās skrūves Nida 3,5x25 mm	gab.	15,0	15,0	-	-	15,0	-	-	15,0	-	-	-
Pašurbjošās skrūves Nida 3,5x35 mm	gab.	6,0	6,0	-	-	6,0	-	-	-	-	-	-
Pašurbjošās skrūves Nida 3,5x45 mm	gab.	-	-	-	-	-	-	-	6,0	-	-	-
Pašurbjošās skrūves Nida 3,5x55 mm	gab.	18,0	18,0	-	-	18,0	-	-	6,0	-	-	-
Pašurbjošās skrūves Nida 4,2x70 mm	gab.	-	-	-	-	-	-	-	18,0	-	-	-
Pašurbjošās skrūves Nida Cietā 35 (3,9x35 mm)	gab.	-	-	21,0	-	-	21,0	-	-	15,0	-	-
Pašurbjošās skrūves Nida Cietā 45 (3,9x45 mm)	gab.	-	-	-	-	-	-	-	-	6,0	-	-
Pašurbjošās skrūves Nida Cietā 55 (3,9x55 mm)	gab.	-	-	18,0	-	-	18,0	-	-	6,0	-	-
Pašurbjošās skrūves Nida Cietā 70 (4,2x70 mm)	gab.	-	-	-	-	-	-	-	-	18,0	-	-
Pašurbjošās skrūves Nida Hydro C4 3,5x25 mm	gab.	-	-	-	15,0	-	-	15,0	-	-	15,0	-
Pašurbjošās skrūves Nida Hydro C4 3,5x41 mm	gab.	-	-	-	6,0	-	-	6,0	-	-	6,0	-
Pašurbjošās skrūves Nida Hydro C4 3,5x55 mm	gab.	-	-	-	18,0	-	-	18,0	-	-	6,0	-
Pašurbjošās skrūves Nida Hydro C4 4,2x70 mm	gab.	-	-	-	-	-	-	-	-	-	18,0	-
Līmļente šuvēm Nida	tek.m	1,4	1,4	1,4	1,4	1,4	1,4	1,4	1,4	1,4	1,4	1,4
Ģipša špaktele Nida Start	kg	0,9	0,9	-	-	0,9	-	-	1,2	-	-	-
Ģipša špaktele Nida Finisz	kg	0,1	0,1	-	-	0,1	-	-	0,1	-	-	-
Gatavā špaktelmasa Nida Hydromix ⁴⁾	kg	-	-	1,0	1,0	-	1,0	1,0	-	1,3	1,3	-

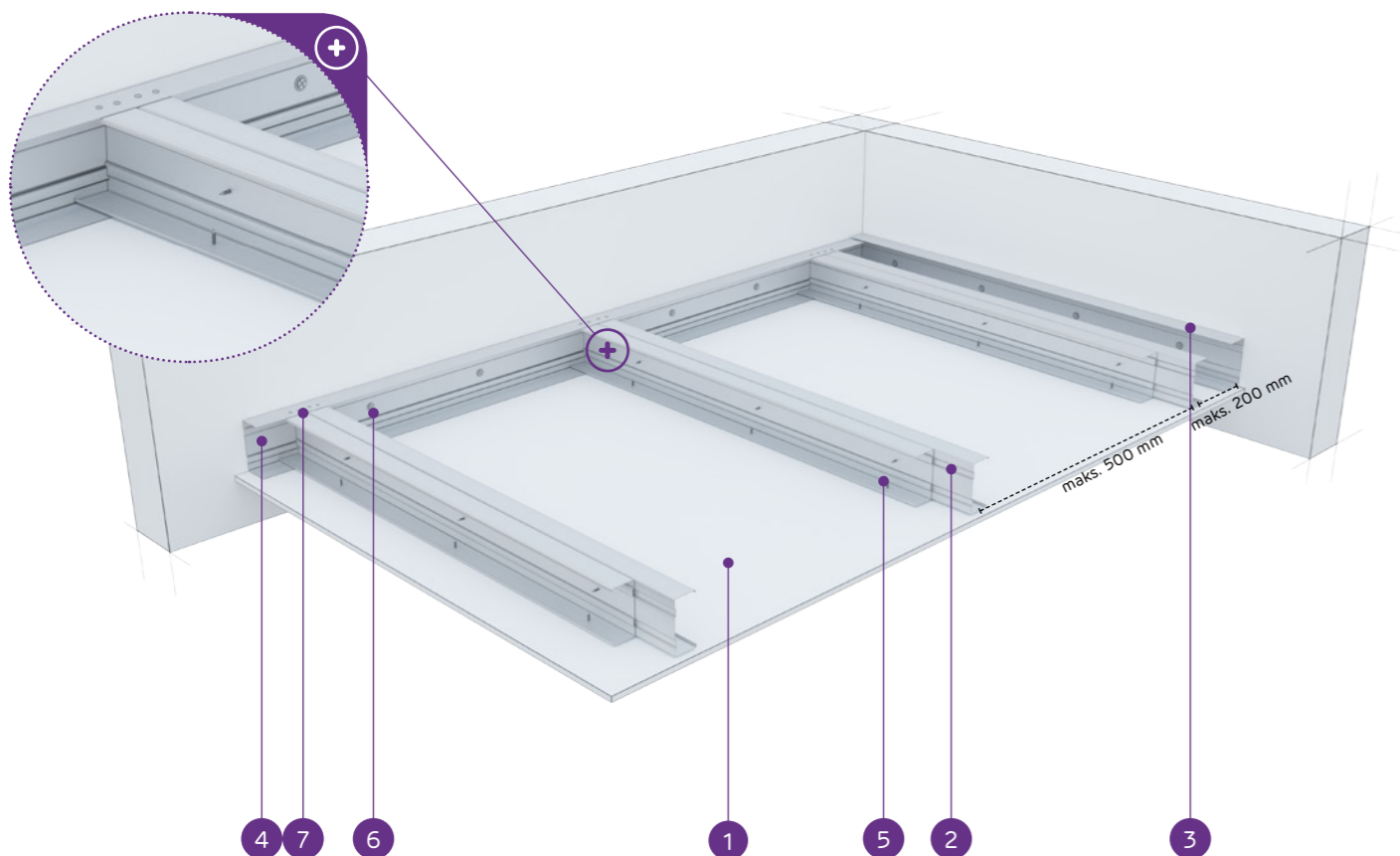
³⁾ Enkurošanas elementu tips un skaits jāizvēlas saskaņā ar shēmu, kas iekļauta ITB tehniskajā atzinumā Pašnesošie griesti: ITB 1060/12/R33NK.⁴⁾ Izmantojot ģipša šķiedru plāksnes Nida Cietā, kā alternatīvu varat izmantot arī Nida Planfix Fresh ģipša špakтели. Patēriņa standartos nav ņemti vērā materiālie zaudējumi.

nida Griesti

Ugunsizturības
klase:
(R)EI15
(R)EI30Maksimālais
apdares
platums:
2870 mmMinimālais
piekāršanas
augstums:
60 mmBūves svars
1m²:
12,0-19,0 kgSaistītā
dokumenta
numurs:
EN13964:2004+A1Eksploatacijas īpašību deklarācija:
DoP/Ceiling System/0047/15.11.2016

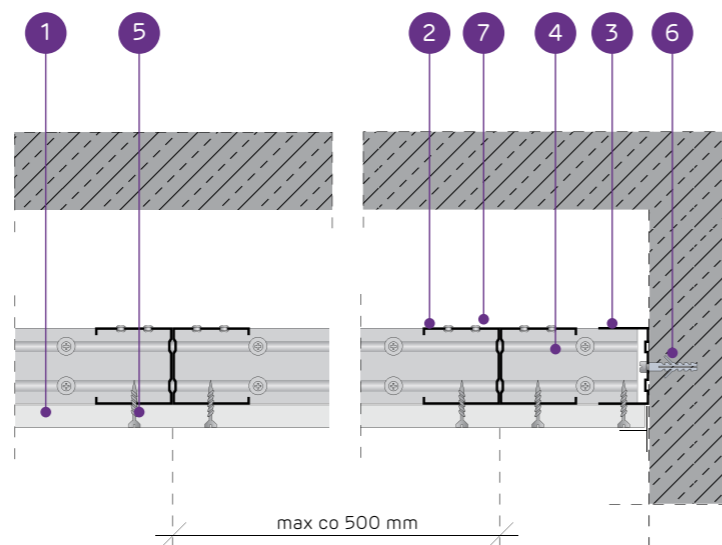
SISTĒMAS:

CC50/U50/500-12,5; CC50/U50/500-15; CC50/U50/500-18



MATERIĀLI:

1. Ģipškartona plāksnes Nida
2. Dubultais nesošais profils Nida C 50
3. Konstrukcijas profils Nida U 50
4. Nesošais profils Nida U 50
5. Pašurbjošā skrūve Nida 3,5 x 25 mm
6. Tērauda enkurošanas elements ar Tērauda paplāksni
7. Kniede



PAŠNESOŠO GRIESTU SISTĒMA AR DUBULTO NIDA C50 KONSTRUKCIJU

TEHNISKIE PARAMETRI

Sistēmas tips Nida Griesti	Režģa konstrukcija				Ģipša plāksņu apšuvums		Minimālais piekāršanas augstums	Būves svars 1 m ²	Ugunsizturības klase ¹⁾	Maksimālais griestu apdares platums ²⁾	Ipaša sistē- ma
	Nida nesošā profila tips	Nida nesošā perimetra profila tips	Nida konstruk- cijas perimetra profila tips	Maksimālais Nida C50 nesošo profilu atstatums	Nida	Biezums					
CC50/U50/500-12,5/Expert	2xC50	U50	U50	500	Expert	12,5	72,5	12,0	-	2870	-
CC50/U50/500-12,5/Ūdens ³⁾	2xC50	U50	U50	500	Ūdens	12,5	72,5	12,0	-	2870	-
CC50/U50/500-12,5/Uguns+	2xC50	U50	U50	500	Uguns Pluss	12,5	72,5	14,0	(R)EI15	2870	-
CC50/U50/500-12,5/ŪdensUguns+	2xC50	U50	U50	500	Ūdens Uguns Pluss	12,5	72,5	14,0	(R)EI15	2870	-
CC50/U50/500-12,5/Cietā	2xC50	U50	U50	500	Cietā	12,5	72,5	16,0	(R)EI15	2490	●
CC50/U50/500-12,5/Hydro	2xC50	U50	U50	500	Hydro	12,5	72,5	14,0	(R)EI15	2870	●
CC50/U50/500-15/Uguns+	2xC50	U50	U50	500	Uguns Pluss	15,0	75	17,0	(R)EI15	2490	-
CC50/U50/500-15/Cietā	2xC50	U50	U50	500	Cietā	15,0	75	19,0	(R)EI15	2490	●
CC50/U50/500-15/Hydro	2xC50	U50	U50	500	Hydro	15,0	75	17,0	(R)EI15	2490	●
CC50/U50/500-18/Uguns+	2xC50	U50	U50	500	Uguns Pluss	18,0	78	18,0	(R)EI30	2490	-

¹⁾ Ugunsdrošības klasifikācija LBO-458-K/17.²⁾ Tehniskais atzinums ITB 1060/12/R33NK.³⁾ Telpās ar relatīvo gaisa mitrumu līdz 85 % stūra sekcijās pret intensīvu ūdens iedarbību ieteicams izmantot Nida Hydro ģipša šķiedru plāksnes (horizontālām un vertikālām virsmām vannas, dušas utt. zonās).MATERIĀLU PATĒRIŅŠ UZ 1 M² GRIESTU APBŪVES NIDA GRIESTI SISTĒMĀ

Materiāla nosaukums	Mērv.	Sistēmas tips Nida Griesti									
		CC50/ U50/500- 12,5/ Expert	CC50/ U50/500- 12,5/ Ūdens	CC50/ U50/500- 12,5/ Uguns+	CC50/ U50/500- 12,5/ ŪdensUguns+	CC50/ U50/500- 12,5/ Cietā	CC50/ U50/500- 12,5/ Hydro	CC50/ U50/500- 15/ Uguns+	CC50/ U50/500- 15/ Cietā	CC50/ U50/500- 15/ Hydro	CC50/ U50/500- 18/ Uguns+
		Materiāla patēriņš uz 1 m ²									
Plāksne Nida Expert 12,5 mm	m ²	1,0	-	-	-	-	-	-	-	-	-
Plāksne Nida Ūdens 12,5 mm	m ²	-	1,0	-	-	-	-	-	-	-	-
Plāksne Nida Uguns Pluss 12,5 mm	m ²	-	-	1,0	-	-	-	-	-	-	-
Plāksne Nida Ūdens Uguns Pluss 12,5 mm	m ²	-	-	-	1,0	-	-	-	-	-	-
Plāksne Nida Cietā 12,5 mm	m ²	-	-	-	-	1,0	-	-	-	-	-
Plāksne Nida Hydro 12,5 mm	m ²	-	-	-	-	-	1,0	-	-	-	-
Plāksne Nida Uguns Pluss 15,0 mm	m ²	-	-	-	-	-	-	1,0	-	-	-
Plāksne Nida Cietā 15,0 mm	m ²	-	-	-	-	-	-	-	1,0	-	-
Plāksne Nida Hydro 15,0 mm	m ²	-	-	-	-	-	-	-	-	1,0	-
Plāksne Nida Uguns Pluss 18,0 mm	m ²	-	-	-	-	-	-	-	-	-	1,0
Profils Nida C50	tek.m	4,4	4,4	4,4	4,4	4,4	4,4	4,4	4,4	4,4	4,4
Profils Nida U50	tek.m	0,75	0,75	0,75	0,75	0,75	0,75	0,75	0,75	0,75	0,75
Kniedes	gab.	5,6	5,6	5,6	5,6	5,6	5,6	5,6	5,6	5,6	5,6
Tērauda enkurošanas elements (tips atbilstoši būves svaram) ⁴⁾	gab.	1,7	1,7	1,7	1,7	1,7	1,7	1,7	1,7	1,7	1,7
Pašurbjošās skrūves Nida 3,5x9,5/11 mm	gab.	8,3	8,3	8,3	8,3	8,3	8,3	8,3	8,3	8,3	8,3
Pašurbjošās skrūves Nida 3,5x25 mm	gab.	18,0	18,0	18,0	18,0	-	-	18,0	-	-	-
Pašurbjošās skrūves Nida 3,5x35 mm	gab.	-	-	-	-	-	-	-	-	-	18,0
Pašurbjošās skrūves Nida Cietā 35 (3,9x35 mm)	gab.	-	-	-	-	18,0	-	-	18,0	-	-
Pašurbjošās skrūves Nida Hydro C4 3,5x25 mm	gab.	-	-	-	-	-	18,0	-	-	18,0	-
Limente šuvēm Nida	tek.m	1,4	1,4	1,4	1,4	1,4	1,4	1,4	1,4	1,4	1,4
Ģipša špaktele Nida Start	kg	0,3	0,3	0,3	0,3	-	-	0,3	-	-	0,3
Ģipša špaktele Nida Finisz	kg	0,1	0,1	0,1	0,1	-	-	0,1	-	-	0,1
Gatavā špaktelmasa Nida Hydromix ⁵⁾	kg	-	-	-	-	0,4	0,4	-	0,4	0,4	-

⁴⁾ Enkurošanas elementu tips un skaits jāizvēlas saskaņā ar shēmu, kas iekļauta ITB tehniskajā atzinumā Pašnesošie griesti: ITB 1060/12/R33NK.⁵⁾ Izmantojot ģipša šķiedru plāksnes Nida Cietā, kā alternatīvu varat izmantot arī Nida Planfix Fresh ģipša špakteļi.

Patēriņa standartos nav ņemti vērā materiālie zaudējumi.

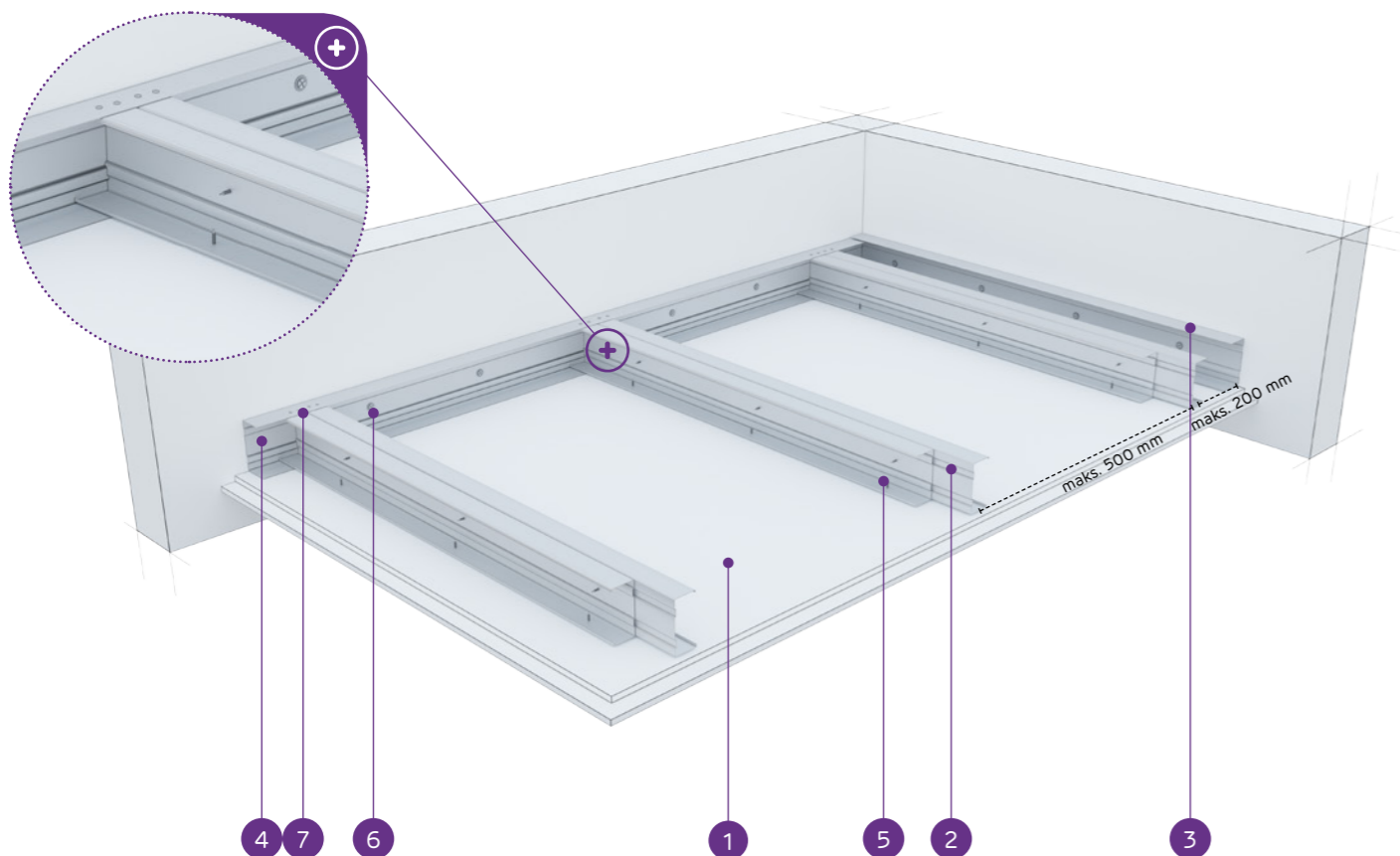


nida Griesti

Ugunsizturības
klase:
(R)EI45
(R)EI60Maksimālais
apdares
platums:
2820 mmMinimālais
piekāršanas
augstums:
60 mmBūves svars
1m²:
20,0-35,0 kgSaisītā
dokumenta
numurs:
EN13964:2004+A1Eksploatacijas īpašību deklarācija:
DoP/Ceiling System/0047/15.11.2016

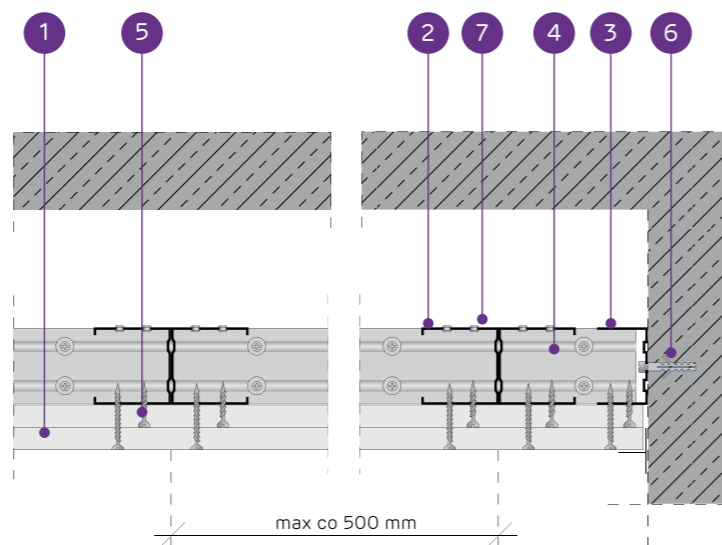
SISTĒMAS:

CC50/U50/500-25; CC50/U50/500-30



MATERIĀLI:

1. Ģipškartona plāksnes Nida
2. Dubultais nesošais profils Nida C 50
3. Konstruktīvais profils Nida U 50
4. Nesošais profils Nida U 50
5. Pašurbjošā skrūve Nida 3,5 x 25 mm
6. Tērauda enkurošanas elements ar Tērauda paplāksni
7. Kniede



PAŠNESOŠO GRIESTU SISTĒMA AR DUBULTO NIDA C50 KONSTRUKCIJU

TEHNISKIE PARAMETRI

Sistēmas tips Nida Griesti	Režģa konstrukcija				Ģipša plākšņu apšuvums		Minimālais piekāršanas augstums	Būves svars 1 m ²	Ugunsizturības klase ¹⁾	Maksimālais griestu apdares platums ²⁾	Īpašā sistē- ma
	Nida nesošā profila tips	Nida nesošā perimetra profila tips	Nida konstruk- cijas perimetra profila tips	Maksimālais Nida C50 nesošo profilu atstatums	Ģipša Nida	Biezums					
CC50/U50/500-25/Expert	2xC50	U50	U50	500	Expert	2x12,5	85	20,0	-	2820	-
CC50/U50/500-25/Ūdens ³⁾	2xC50	U50	U50	500	Ūdens	2x12,5	85	21,0	-	2520	-
CC50/U50/500-25/Uguns+	2xC50	U50	U50	500	Uguns Pluss	2x12,5	85	24,0	(R)EI45	2520	-
CC50/U50/500-25/ŪdensUguns+	2xC50	U50	U50	500	Ūdens Uguns Pluss	2x12,5	85	24,0	(R)EI45	2520	-
CC50/U50/500-25/Cietā	2xC50	U50	U50	500	Cietā	2x12,5	85	29,0	(R)EI45	2300	●
CC50/U50/500-25/Hydro	2xC50	U50	U50	500	Hydro	2x12,5	85	25,0	(R)EI45	2520	●
CC50/U50/500-30/Uguns+	2xC50	U50	U50	500	Uguns Pluss	2x15,0	90	31,0	(R)EI60	2130	-
CC50/U50/500-30/Cietā	2xC50	U50	U50	500	Cietā	2x15,0	90	35,0	(R)EI60	2130	●
CC50/U50/500-30/Hydro	2xC50	U50	U50	500	Hydro	2x15,0	90	31,0	(R)EI60	2130	●

¹⁾ Ugunsdrošības klasifikācija LBO-458-K/17.²⁾ Tehniskais atzinums ITB 1060/12/R33NK.³⁾ Telpās ar relatīvo gaisa mitrumu līdz 85% stūra sekcijās pret intensīvu ūdens iedarbību ieteicams izmantot Nida Hydro ģipša šķiedru plāksnes (horizontālām un vertikālām virsmām vannas, dušas utt. zonās).MATERIĀLU PATĒRIŅŠ UZ 1 M² GRIESTU APBŪVES NIDA GRIESTI SISTĒMĀ

Materiāla nosaukums	Mērv.	Sistēmas tips Nida Griesti									
		CC50/ U50/500- 25/Expert	CC50/ U50/500- 25/Ūdens	CC50/ U50/500- 25/Uguns+	CC50/ U50/500-25/ ŪdensUguns+	CC50/ U50/500- 25/Cietā	CC50/ U50/500- 25/Hydro	CC50/ U50/500- 30/Uguns+	CC50/ U50/500- 30/Cietā	CC50/ U50/500- 30/Hydro	
		Materiāla patēriņš uz 1 m ²									
Plāksne Nida Expert 12,5 mm	m ²	2,0	-	-	-	-	-	-	-	-	
Plāksne Nida Ūdens 12,5 mm	m ²	-	2,0	-	-	-	-	-	-	-	
Plāksne Nida Uguns Pluss 12,5 mm	m ²	-	-	2,0	-	-	-	-	-	-	
Plāksne Nida Ūdens Uguns Pluss 12,5 mm	m ²	-	-	-	2,0	-	-	-	-	-	
Plāksne Nida Cietā 12,5 mm	m ²	-	-	-	-	2,0	-	-	-	-	
Plāksne Nida Hydro 12,5 mm	m ²	-	-	-	-	-	2,0	-	-	-	
Plāksne Nida Uguns Pluss 15,0 mm	m ²	-	-	-	-	-	-	2,0	-	-	
Plāksne Nida Cietā 15,0 mm	m ²	-	-	-	-	-	-	-	2,0	-	
Plāksne Nida Hydro 15,0 mm	m ²	-	-	-	-	-	-	-	-	2,0	
Profils Nida C50	tek.m	4,4	4,4	4,4	4,4	4,4	4,4	4,4	4,4	4,4	
Profils Nida U50	tek.m	0,75	0,75	0,75	0,75	0,75	0,75	0,75	0,75	0,75	
Kniedes	gab.	5,6	5,6	5,6	5,6	5,6	5,6	5,6	5,6	5,6	
Tērauda enkurošanas elements (tips atbilstoši būves svaram) ⁴⁾	gab.	1,7	1,7	1,7	1,7	1,7	1,7	1,7	1,7	1,7	
Pašurbjošās skrūves Nida 3,5x9,5/11 mm	gab.	8,3	8,3	8,3	8,3	8,3	8,3	8,3	8,3	8,3	
Pašurbjošās skrūves Nida 3,5x25 mm	gab.	6,0	6,0	6,0	6,0	-	-	6,0	-	-	
Pašurbjošās skrūves Nida 3,5x35 mm	gab.	18,0	18,0	18,0	18,0	-	-	-	-	-	
Pašurbjošās skrūves Nida 3,5x45 mm	gab.	-	-	-	-	-	-	18,0	-	-	
Pašurbjošās skrūves Nida Cietā 35 (3,9x35 mm)	gab.	-	-	-	-	24,0	-	-	6,0	-	
Pašurbjošās skrūves Nida Cietā 45 (3,9x45 mm)	gab.	-	-	-	-	-	-	-	18,0	-	
Pašurbjošās skrūves Nida Hydro C4 3,5x25 mm	gab.	-	-	-	-	-	6,0	-	-	6,0	
Pašurbjošās skrūves Nida Hydro C4 3,5x41 mm	gab.	-	-	-	-	-	18,0	-	-	18,0	
Limente šuvēm Nida	tek.m	1,4	1,4	1,4	1,4	1,4	1,4	1,4	1,4	1,4	
Ģipša špaktele Nida Start	kg	0,6	0,6	0,6	0,6	-	-	0,6	-	-	
Ģipša špaktele Nida Finisz	kg	0,1	0,1	0,1	0,1	-	-	0,1	-	-	
Gatavā špaktele/masa Nida Hydromix ⁵⁾	kg	-	-	-	-	0,7	0,7	-	0,7	0,7	

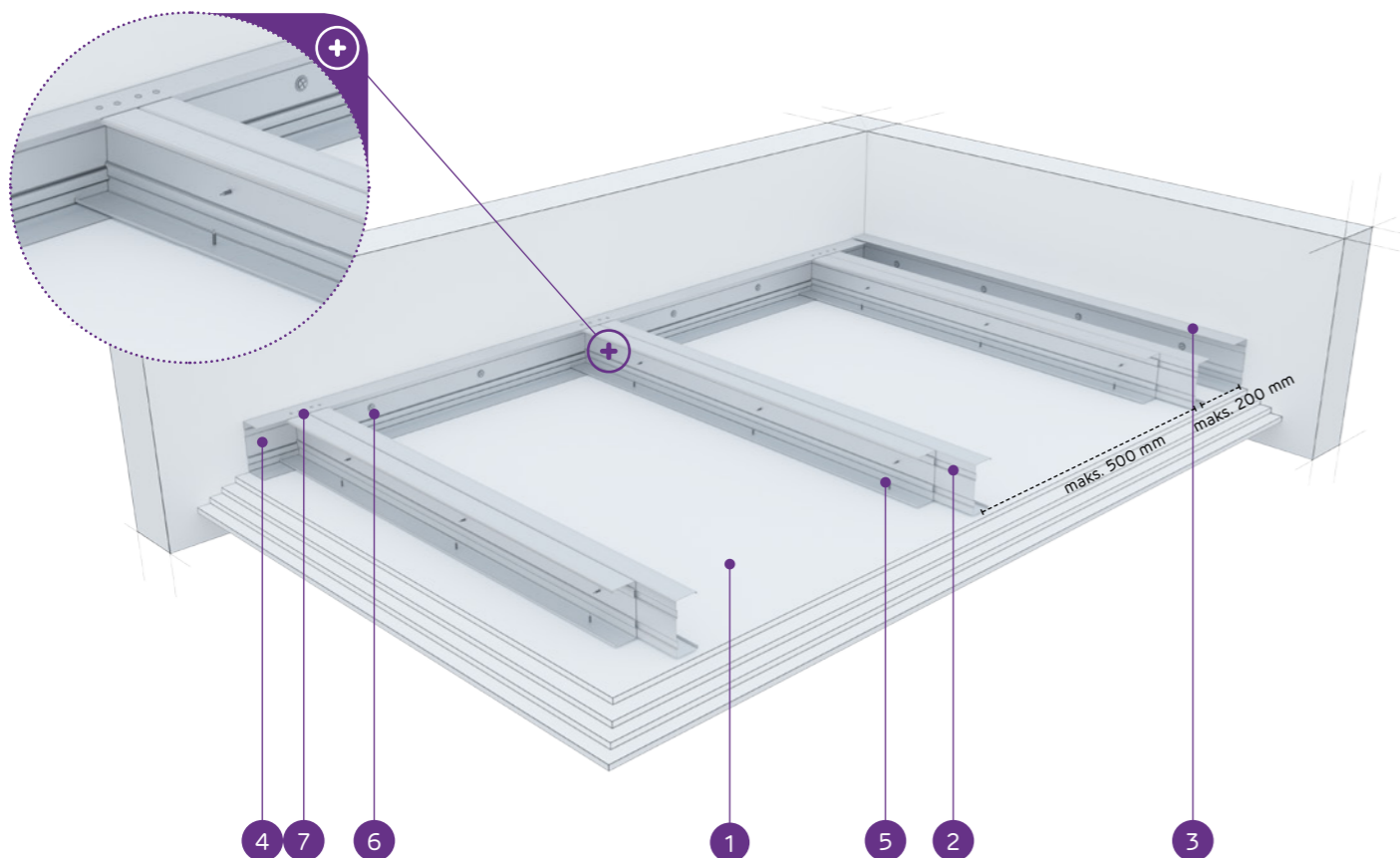
⁴⁾ Enkurošanas elementu tips un skaits jāizvēlas saskaņā ar shēmu, kas iekļauta ITB tehniskajā atzinumā Pašnesošie griesti: ITB 1060/12/R33NK.⁵⁾ Izmantojot ģipša šķiedru plāksnes Nida Cietā, kā alternatīvu varat izmantot arī Nida Planfix Fresh ģipša špakteļi. Patēriņa standartos nav ņemti vērā materiālie zaudējumi.

nida Griesti

Ugunsizturības
klase:
(R)EI60
(R)EI90
(R)EI120Maksimālais
apdares
platums:
2130 mmMinimālais
piekāršanas
augstums:
60 mmBūves svars
1m²:
34,0-66,0 kgSaisītā
dokumenta
numurs:
EN13964:2004+A1Eksploatacijas īpašību deklarācija:
DoP/Ceiling System/0047/15.11.2016

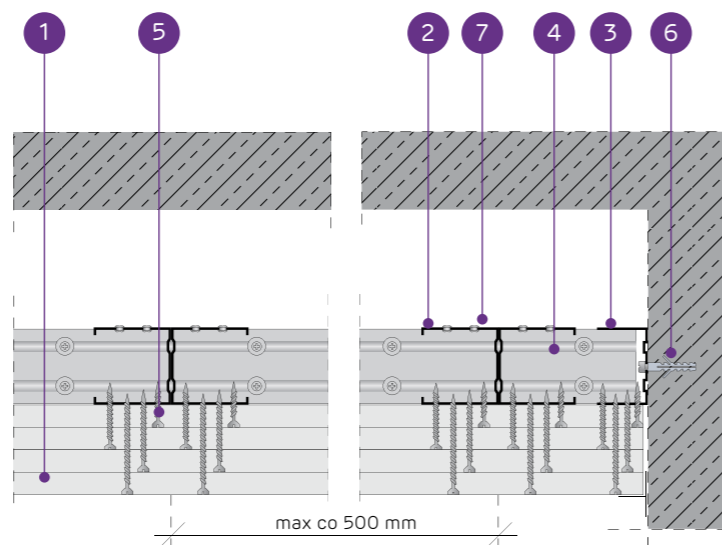
SISTĒMAS:

CC50/U50/500-37,5; CC50/U50/500-40; CC50/U50/500-60



MATERIĀLI:

1. Ģipškartona plāksnes Nida
2. Dubultais nesošais profils Nida C 50
3. Konstrukcijas profils Nida U 50
4. Nesošais profils Nida U 50
5. Pašurbjošā skrūve Nida 3,5 x 25 mm
6. Tērauda enkurošanas elements ar Tērauda paplāksni
7. Kniede



PAŠNESOŠO GRIESTU SISTĒMA AR DUBULTO NIDA C50 KONSTRUKCIJU

TEHNISKIE PARAMETRI

Sistēmas tips Nida Griesti	Režģa konstrukcija				Ģipša plāksņu apšuvums		Minimālais piekāršanas augstums	Būves svars 1m ²	Ugunsizturības klase ¹⁾	Maksimālais griestu apdares platums ²⁾	Īpašā sistē- ma
	Nida nesošā profila tips	Nida nesošā perimetra profila tips	Nida konstruk- cijas perimetra profila tips	Maksimālais Nida C50 nesošo profilu atstatums	Ģipša plāksņu apšuvums						
					Nida	Biezums					
CC50/U50/500-37,5/Uguns+	2xC50	U50	U50	500	Uguns Pluss	3x12,5	97,5	34,0	(R)EI60	2130	-
CC50/U50/500-37,5/ŪdensUguns+	2xC50	U50	U50	500	Ūdens Uguns Pluss	3x12,5	97,5	34,0	(R)EI60	2130	-
CC50/U50/500-37,5/Cietā	2xC50	U50	U50	500	Cietā	3x12,5	97,5	43,0	(R)EI60	1880	●
CC50/U50/500-37,5/Hydro	2xC50	U50	U50	500	Hydro	3x12,5	97,5	37,0	(R)EI60	1990	●
CC50/U50/500-40/Uguns+	2xC50	U50	U50	500	Uguns Pluss	2x12,5+15,0	100	38,0	(R)EI90	1990	-
CC50/U50/500-40/Cietā	2xC50	U50	U50	500	Cietā	2x12,5+15,0	100	45,0	(R)EI90	1880	●
CC50/U50/500-40/Hydro	2xC50	U50	U50	500	Hydro	2x12,5+15,0	100	39,0	(R)EI90	1990	●
CC50/U50/500-60/Uguns+	2xC50	U50	U50	500	Uguns Pluss	4x15,0	120	58,0	(R)EI120	1630	-
CC50/U50/500-60/Cietā	2xC50	U50	U50	500	Cietā	4x15,0	120	66,0	(R)EI120	1500	●
CC50/U50/500-60/Hydro	2xC50	U50	U50	500	Hydro	4x15,0	120	58,0	(R)EI120	1630	●

¹⁾ Ugunsdrošības klasifikācija LBO-458-K/17.²⁾ Tehniskais atzinums ITB 1060/12/R33NK.MATERIĀLU PATĒRĪŅŠ UZ 1 M² GRIESTU APBŪVES NIDA GRIESTI SISTĒMĀ

Materiāla nosaukums	Mērv.	Sistēmas tips Nida Griesti										
		CC50/ U50/500- 37,5/ Uguns+	CC50/ U50/500- 37,5/ ŪdensUguns+	CC50/ U50/500- 37,5/Cietā	CC50/ U50/500- 37,5/Hydro	CC50/ U50/500- 40/ Uguns+	CC50/ U50/500- 40/Cietā	CC50/ U50/500- 40/Hydro	CC50/ U50/500- 60/ Uguns+	CC50/ U50/500- 60/Cietā	CC50/ U50/500- 60/Hydro	
		Materiāla patēriņš uz 1 m ²										
Plāksne Nida Uguns Pluss 12,5 mm	m ²	3,0	-	-	-	2,0	-	-	-	-	-	
Plāksne Nida Ūdens Uguns Pluss 12,5 mm	m ²	-	3,0	-	-	-	-	-	-	-		
Plāksne Nida Cietā 12,5 mm	m ²	-	-	3,0	-	2,0	-	-	-	-		
Plāksne Nida Hydro 12,5 mm	m ²	-	-	-	3,0	-	-	2,0	-	-		
Plāksne Nida Uguns Pluss 15,0 mm	m ²	-	-	-	-	1,0	-	4,0	-	-		
Plāksne Nida Cietā 15,0 mm	m ²	-	-	-	-	1,0	-	-	4,0	-		
Plāksne Nida Hydro 15,0 mm	m ²	-	-	-	-	-	1,0	-	-	4,0		
Profils Nida C50	tek.m	4,4	4,4	4,4	4,4	4,4	4,4	4,4	4,4	4,4		
Profils Nida U50	tek.m	0,75	0,75	0,75	0,75	0,75	0,75	0,75	0,75	0,75		
Kniedes	gab.	5,6	5,6	5,6	5,6	5,6	5,6	5,6	5,6	5,6		
Tērauda enkurošanas elements (tips atbilstoši būves svaram) ³⁾	gab.	1,7	1,7	1,7	1,7	1,7	1,7	1,7	1,7	1,7		
Pašurbjošās skrūves Nida 3,5x9,5/11 mm	gab.	8,3	8,3	8,3	8,3	8,3	8,3	8,3	8,3	8,3		
Pašurbjošās skrūves Nida 3,5x25 mm	gab.	6,0	6,0	-	-	6,0	-	-	6,0	-		
Pašurbjošās skrūves Nida 3,5x35 mm	gab.	6,0	6,0	-	-	6,0	-	-	-	-		
Pašurbjošās skrūves Nida 3,5x45 mm	gab.	-	-	-	-	-	-	-	6,0	-		
Pašurbjošās skrūves Nida 3,5x55 mm	gab.	18,0	18,0	-	-	18,0	-	-	6,0	-		
Pašurbjošās skrūves Nida 4,2x70 mm	gab.	-	-	-	-	-	-	-	18,0	-		
Pašurbjošās skrūves Nida Cietā 35 (3,9x35 mm)	gab.	-	-	12,0	-	-	12,0	-	-	6,0		
Pašurbjošās skrūves Nida Cietā 45 (3,9x45 mm)	gab.	-	-	-	-	-	-	-	-	6,0		
Pašurbjošās skrūves Nida Cietā 55 (3,9x55 mm)	gab.	-	-	18,0	-	-	18,0	-	-	6,0		
Pašurbjošās skrūves Nida Cietā 70 (4,2x70 mm)	gab.	-	-	-	-	-	-	-	-	18,0		
Pašurbjošās skrūves Nida Hydro C4 3,5x25 mm	gab.	-	-	-	6,0	-	-	6,0	-	6,0		
Pašurbjošās skrūves Nida Hydro C4 3,5x41 mm	gab.	-	-	-	6,0	-	-	6,0	-	6,0		
Pašurbjošās skrūves Nida Hydro C4 3,5x55 mm	gab.	-	-	-	18,0	-	-	18,0	-	6,0		
Pašurbjošās skrūves Nida Hydro C4 4,2x70 mm	gab.	-	-	-	-	-	-	-	-	18,0		
Līm lente šuvēm Nida	tek.m	1,4	1,4	1,4	1,4	1,4	1,4	1,4	1,4	1,4		
Ģipša špaktele Nida Start	kg	0,9	0,9	-	-	0,9	-	-	1,2	-		
Ģipša špaktele Nida Finisz	kg	0,1	0,1	-	-	0,1	-	-	0,1	-		
Gatavā špaktele/masa Nida Hydromix ⁴⁾	kg	-	-	1,0	1,0	-	1,0	1,0	-	1,3		

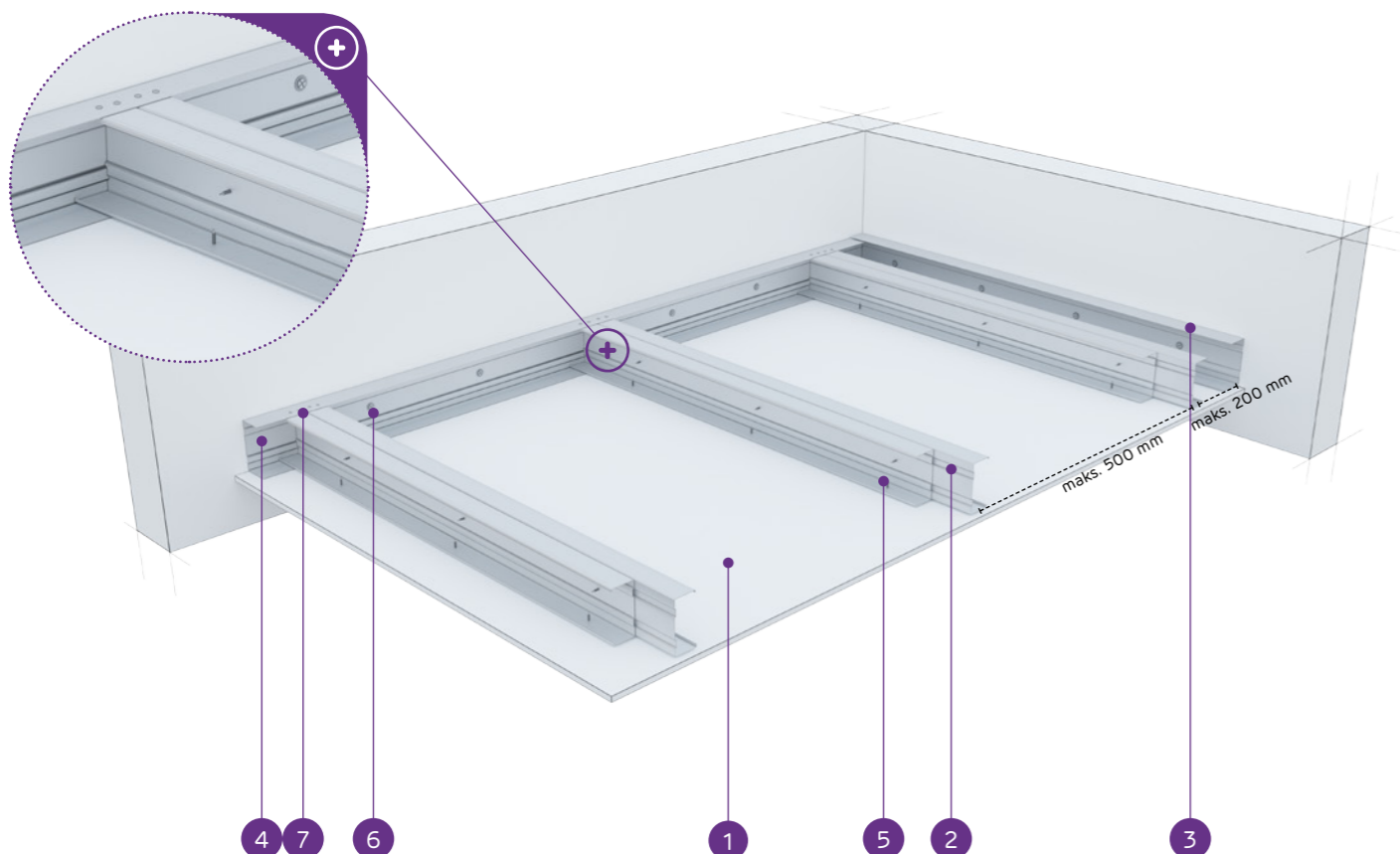
³⁾ Enkurošanas elementu tips un skaits jāizvēlas saskaņā ar shēmu, kas iekļauta ITB tehniskajā atzinumā Pašnesošie griesti: ITB 1060/12/R33NK.⁴⁾ Izmantojot ģipša šķiedru plāksnes Nida Cietā, kā alternatīvu varat izmantot arī Nida Planfix Fresh ģipša špakteļi. Patēriņa standartos nav ņemti vērā materiālie zaudējumi.

nida Griesti

Ugunsizturības
klase:
(R)EI15
(R)EI30Maksimālais
apdares
platums:
3690 mmMinimālais
piekāršanas
augstums:
85 mmBūves svars
1m²:
12,0-20,0 kgSaistītā
dokumenta
numurs:
EN13964:2004+A1Eksploatacijas īpašību deklarācija:
DoP/Ceiling System/0049/15.11.2016

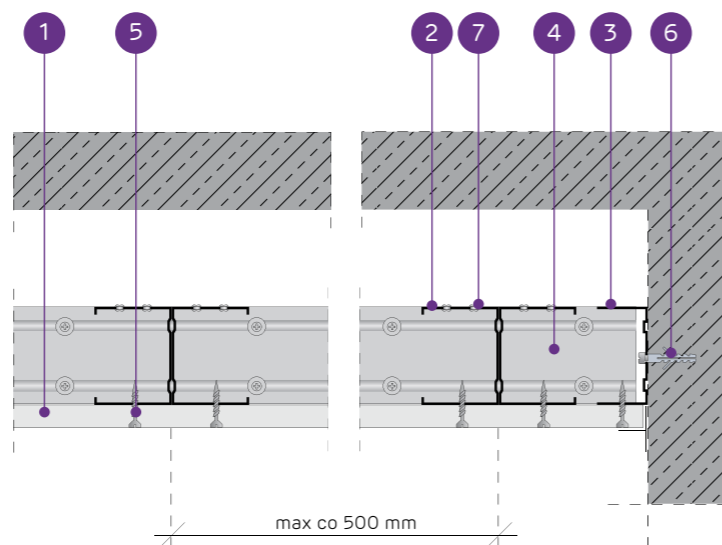
SISTĒMAS:

CC75/U75/500-12,5; CC75/U75/500-15; CC75/U75/500-18



MATERIĀLI:

- Ģipškartona plāksnes Nida
- Dubultais nesošais profils Nida C 75
- Konstrukcijas profils Nida U 75
- Nesošais profils Nida U 75
- Pašurbjošā skrūve Nida 3,5 x 25 mm
- Tērauda enkurošanas elements ar Tērauda paplāksni
- Kniede



PAŠNESOŠO GRIESTU SISTĒMA AR DUBULTO NIDA C75 KONSTRUKCIJU

TEHNISKIE PARAMETRI

Sistēmas tips Nida Griesti	Režģa konstrukcija				Ģipša plākšņu apšuvums		Minimālais piekāršanas augstums	Būves svars 1 m ²	Ugunsizturības klase ¹⁾	Maksimālais griestu apdares platums ²⁾	Īpašā sistē- ma
	Nida nesošā profila tips	Nida nesošā perimetra profila tips	Nida konstruk- cijas perimetra profila tips	Maksimālais Nida C75 nesošo profilu atstatums	Nida	Biezums					
CC75/U75/500-12,5/Expert	2xC75	U75	U75	500	Expert	12,5	97,5	12,0	-	3690	-
CC75/U75/500-12,5/Ūdens ³⁾	2xC75	U75	U75	500	Ūdens	12,5	97,5	13,0	-	3690	-
CC75/U75/500-12,5/Uguns+	2xC75	U75	U75	500	Uguns Pluss	12,5	97,5	14,0	(R)EI15	3690	-
CC75/U75/500-12,5/ŪdensUguns+	2xC75	U75	U75	500	Ūdens Uguns Pluss	12,5	97,5	14,0	(R)EI15	3690	-
CC75/U75/500-12,5/Cietā	2xC75	U75	U75	500	Cietā	12,5	97,5	17,0	(R)EI15	3190	●
CC75/U75/500-12,5/Hydro	2xC75	U75	U75	500	Hydro	12,5	97,5	15,0	(R)EI15	3690	●
CC75/U75/500-15/Uguns+	2xC75	U75	U75	500	Uguns Pluss	15,0	100	18,0	(R)EI15	3190	-
CC75/U75/500-15/Cietā	2xC75	U75	U75	500	Cietā	15,0	100	20,0	(R)EI15	3190	●
CC75/U75/500-15/Hydro	2xC75	U75	U75	500	Hydro	15,0	100	18,0	(R)EI15	3190	●
CC75/U75/500-18/Uguns+	2xC75	U75	U75	500	Uguns Pluss	18,0	103	18,0	(R)EI30	3190	-

¹⁾ Ugunsdrošības klasifikācija LBO-458-K/17.²⁾ Tehniskais atzinums ITB 1060/12/R33NK.³⁾ Telpās ar relatīvo gaisa mitrumu līdz 85 % stūra sekcijās pret intensīvu ūdens iedarbību ieteicams izmantot Nida Hydro ģipša šķiedru plāksnes (horizontālām un vertikālām virsmām vannas, dušas utt. zonās).MATERIĀLU PATĒRIŅŠ UZ 1 M² GRIESTU APBŪVES NIDA GRIESTI SISTĒMĀ

Materiāla nosaukums	Mērv.	Sistēmas tips Nida Griesti									
		CC75/ U75/500- 12,5/ Expert	CC75/ U75/500- 12,5/Ūdens	CC75/ U75/500- 12,5/ Uguns+	CC75/ U75/500-12,5/ ŪdensUguns+	CC75/ U75/500- 12,5/Cietā	CC75/ U75/500- 12,5/Hydro	CC75/ U75/500- 15/Uguns+	CC75/ U75/500- 15/Cietā	CC75/ U75/500- 15/Hydro	CC75/ U75/500- 18/ Uguns+
		Materiāla patēriņš uz 1 m ²									
Plāksne Nida Expert 12,5 mm	m ²	1,0	-	-	-	-	-	-	-	-	-
Plāksne Nida Ūdens 12,5 mm	m ²	-	1,0	-	-	-	-	-	-	-	-
Plāksne Nida Uguns Pluss 12,5 mm	m ²	-	-	1,0	-	-	-	-	-	-	-
Plāksne Nida Ūdens Uguns Pluss 12,5 mm	m ²	-	-	-	1,0	-	-	-	-	-	-
Plāksne Nida Cietā 12,5 mm	m ²	-	-	-	-	1,0	-	-	-	-	-
Plāksne Nida Hydro 12,5 mm	m ²	-	-	-	-	-	1,0	-	-	-	-
Plāksne Nida Uguns Pluss 15,0 mm	m ²	-	-	-	-	-	-	1,0	-	-	-
Plāksne Nida Cietā 15,0 mm	m ²	-	-	-	-	-	-	-	1,0	-	-
Plāksne Nida Hydro 15,0 mm	m ²	-	-	-	-	-	-	-	-	1,0	-
Plāksne Nida Uguns Pluss 18,0 mm	m ²	-	-	-	-	-	-	-	-	-	1,0
Profils Nida C75	tek.m	4,4	4,4	4,4	4,4	4,4	4,4	4,4	4,4	4,4	4,4
Profils Nida U75	tek.m	0,75	0,75	0,75	0,75	0,75	0,75	0,75	0,75	0,75	0,75
Kniedes	gab.	5,6	5,6	5,6	5,6	5,6	5,6	5,6	5,6	5,6	5,6
Tērauda enkurošanas elements (tips atbilstoši būves svaram) ⁴⁾	gab.	1,7	1,7	1,7	1,7	1,7	1,7	1,7	1,7	1,7	1,7
Pašurbjošās skrūves Nida 3,5x9,5/11 mm	gab.	8,3	8,3	8,3	8,3	8,3	8,3	8,3	8,3	8,3	8,3
Pašurbjošās skrūves Nida 3,5x25 mm	gab.	18,0	18,0	18,0	18,0	-	-	18,0	-	-	-
Pašurbjošās skrūves Nida 3,5x35 mm	gab.	-	-	-	-	-	-	-	-	-	18,0
Pašurbjošās skrūves Nida Cietā 35 (3,9x35 mm)	gab.	-	-	-	-	18,0	-	-	18,0	-	-
Pašurbjošās skrūves Nida Hydro C4 3,5x25 mm	gab.	-	-	-	-	-	18,0	-	-	18,0	-
Līmīente šuvēm Nida	tek.m	1,4	1,4	1,4	1,4	1,4	1,4	1,4	1,4	1,4	1,4
Ģipša špaktele Nida Start	kg	0,3	0,3	0,3	0,3	-	-	0,3	-	-	0,3
Ģipša špaktele Nida Finisz	kg	0,1	0,1	0,1	0,1	-	-	0,1	-	-	0,1
Gatavā špaktele/masa Nida Hydromix ⁵⁾	kg	-	-	-	-	0,4	0,4	-	0,4	0,4	-

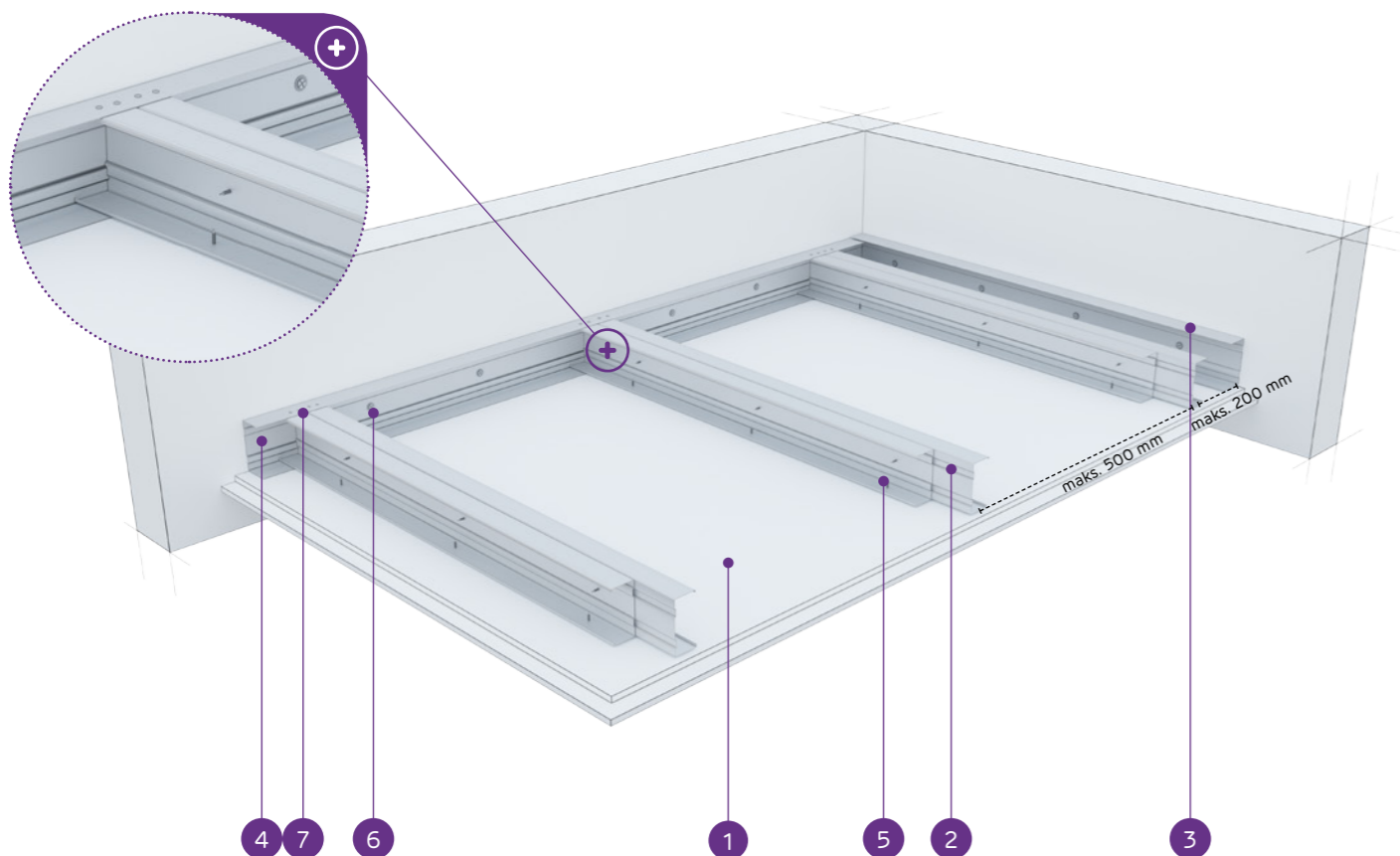
⁴⁾ Enkurošanas elementu tips un skaits jāizvēlas saskaņā ar shēmu, kas iekļauta ITB tehniskajā atzinumā Pašnesošie griesti: ITB 1060/12/R33NK.⁵⁾ Izmantojot ģipša šķiedru plāksnes Nida Cietā, kā alternatīvu varat izmantot arī Nida Planfix Fresh ģipša špakteļi. Patēriņa standartos nav ņemti vērā materiālie zaudējumi.

nida Griesti

Ugunsizturības
klase:
(R)EI45
(R)EI60Maksimālais
apdares
platums:
3250 mmMinimālais
piekāršanas
augstums:
85 mmBūves svars
1m²:
20,0-35,0 kgSaisītā
dokumenta
numurs:
EN13964:2004+A1Eksploatacijas īpašību deklarācija:
DoP/Ceiling System/0049/15.11.2016

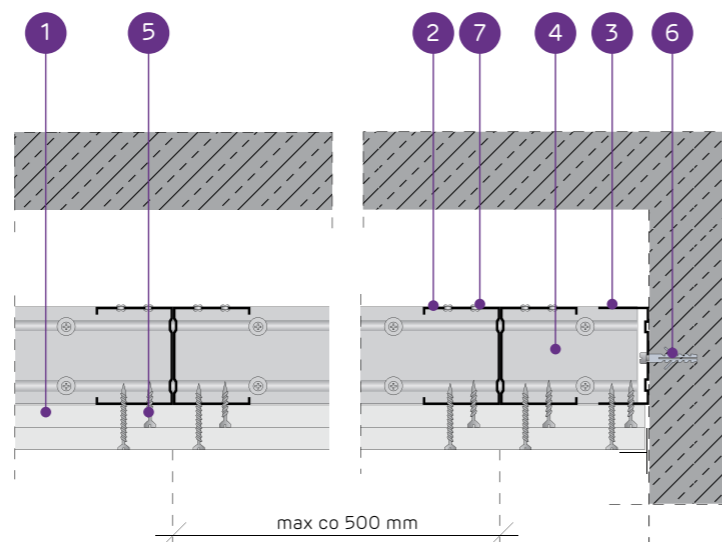
SISTĒMAS:

CC75/U75/500-25; CC75/U75/500-30



MATERIĀLI:

1. Ģipškartona plāksnes Nida
2. Dubultais nesošais profils Nida C 75
3. Konstruktīvais profils Nida U 75
4. Nesošais profils Nida U 75
5. Pašurbjošā skrūve Nida 3,5 x 25 mm
6. Tērauda enkurošanas elements ar Tērauda paplāksni
7. Kniede



PAŠNESOŠO GRIESTU SISTĒMA AR DUBULTO NIDA C75 KONSTRUKCIJU

TEHNISKIE PARAMETRI

Sistēmas tips Nida Griesti	Režģa konstrukcija				Ģipša plāksņu apšuvums		Minimālais piekāršanas augstums	Būves svars 1 m ²	Ugunsizturības klase ¹⁾	Maksimālais griestu apdares platums ²⁾	Īpašā sistē- ma
	Nida nesošā profila tips	Nida nesošā perimetra profila tips	Nida konstruk- cijas perimetra profila tips	Maksimālais Nida C75 nesošo profilu atstatums	Nida	Biezums					
CC75/U75/500-25/Expert	2xC75	U75	U75	500	Expert	2x12,5	110	20,0	-	3250	-
CC75/U75/500-25/Ūdens ³⁾	2xC75	U75	U75	500	Ūdens	2x12,5	110	22,0	-	2910	-
CC75/U75/500-25/Uguns+	2xC75	U75	U75	500	Uguns Pluss	2x12,5	110	24,0	(R)EI45	2910	-
CC75/U75/500-25/ŪdensUguns+	2xC75	U75	U75	500	Ūdens Uguns Pluss	2x12,5	110	24,0	(R)EI45	2910	-
CC75/U75/500-25/Cietā	2xC75	U75	U75	500	Cietā	2x12,5	110	30,0	(R)EI45	2660	●
CC75/U75/500-25/Hidro	2xC75	U75	U75	500	Hydro	2x12,5	110	26,0	(R)EI45	2660	●
CC75/U75/500-30/Uguns+	2xC75	U75	U75	500	Uguns Pluss	2x15,0	115	31,0	(R)EI60	2460	-
CC75/U75/500-30/Cietā	2xC75	U75	U75	500	Cietā	2x15,0	115	35,0	(R)EI60	2460	●
CC75/U75/500-30/Hidro	2xC75	U75	U75	500	Hydro	2x15,0	115	31,0	(R)EI60	2460	●

¹⁾ Ugunsdrošības klasifikācija LBO-458-K/17.²⁾ Tehniskais atzinums ITB 1060/12/R33NK.³⁾ Telpās ar relatīvo gaisa mitrumu līdz 85 % stūra sekcijās pret intensīvu ūdens iedarbību ieteicams izmantot Nida Hydro ģipša šķiedru plāksnes (horizontālām un vertikālām virsmām vannas, dušas utt. zonās).MATERIĀLU PATĒRIŅŠ UZ 1 M² GRIESTU APBŪVES NIDA GRIESTI SISTĒMĀ

Materiāla nosaukums	Mērv.	Sistēmas tips Nida Griesti									
		CC75/ U75/500- 25/Expert	CC75/ U75/500- 25/Ūdens	CC75/ U75/500- 25/Uguns+	CC75/ U75/500-25/ ŪdensUguns+	CC75/ U75/500- 25/Cietā	CC75/ U75/500- 25/Hidro	CC75/ U75/500- 30/Uguns+	CC75/ U75/500- 30/Cietā	CC75/ U75/500- 30/Hidro	
		Materiāla patēriņš uz 1 m ²									
Plāksne Nida Expert 12,5 mm	m ²	2,0	-	-	-	-	-	-	-	-	
Plāksne Nida Ūdens 12,5 mm	m ²	-	2,0	-	-	-	-	-	-	-	
Plāksne Nida Uguns Pluss 12,5 mm	m ²	-	-	2,0	-	-	-	-	-	-	
Plāksne Nida Ūdens Uguns Pluss 12,5 mm	m ²	-	-	-	2,0	-	-	-	-	-	
Plāksne Nida Cietā 12,5 mm	m ²	-	-	-	-	2,0	-	-	-	-	
Plāksne Nida Hydro 12,5 mm	m ²	-	-	-	-	-	2,0	-	-	-	
Plāksne Nida Uguns Pluss 15,0 mm	m ²	-	-	-	-	-	-	2,0	-	-	
Plāksne Nida Cietā 15,0 mm	m ²	-	-	-	-	-	-	-	2,0	-	
Plāksne Nida Hydro 15,0 mm	m ²	-	-	-	-	-	-	-	-	2,0	
Profils Nida C75	tek.m	4,4	4,4	4,4	4,4	4,4	4,4	4,4	4,4	4,4	
Profils Nida U75	tek.m	0,75	0,75	0,75	0,75	0,75	0,75	0,75	0,75	0,75	
Kniedes	gab.	5,6	5,6	5,6	5,6	5,6	5,6	5,6	5,6	5,6	
Tērauda enkurošanas elements (tips atbilstoši būves svaram) ⁴⁾	gab.	1,7	1,7	1,7	1,7	1,7	1,7	1,7	1,7	1,7	
Pašurbjošās skrūves Nida 3,5x9,5/11 mm	gab.	8,3	8,3	8,3	8,3	8,3	8,3	8,3	8,3	8,3	
Pašurbjošās skrūves Nida 3,5x25 mm	gab.	6,0	6,0	6,0	6,0	-	-	6,0	-	-	
Pašurbjošās skrūves Nida 3,5x35 mm	gab.	18,0	18,0	18,0	18,0	-	-	-	-	-	
Pašurbjošās skrūves Nida 3,5x45 mm	gab.	-	-	-	-	-	-	18,0	-	-	
Pašurbjošās skrūves Nida Cietā 35 (3,9x35 mm)	gab.	-	-	-	-	24,0	-	-	6,0	-	
Pašurbjošās skrūves Nida Cietā 45 (3,9x45 mm)	gab.	-	-	-	-	-	-	-	18,0	-	
Pašurbjošās skrūves Nida Hydro C4 3,5x25 mm	gab.	-	-	-	-	-	6,0	-	-	6,0	
Pašurbjošās skrūves Nida Hydro C4 3,5x41 mm	gab.	-	-	-	-	-	18,0	-	-	18,0	
Limlente šuvēm Nida	tek.m	1,4	1,4	1,4	1,4	1,4	1,4	1,4	1,4	1,4	
Ģipša špaktele Nida Start	kg	0,6	0,6	0,6	0,6	-	-	0,6	-	-	
Ģipša špaktele Nida Finisz	kg	0,1	0,1	0,1	0,1	-	-	0,1	-	-	
Gatavā špakteļmasa Nida Hydromix ⁵⁾	kg	-	-	-	-	0,7	0,7	-	0,7	0,7	

⁴⁾ Enkurošanas elementu tips un skaits jāizvēlas saskaņā ar shēmu, kas iekļauta ITB tehniskajā atzinumā Pašnesošie griesti: ITB 1060/12/R33NK.⁵⁾ Izmantojot ģipša šķiedru plāksnes Nida Cietā, kā alternatīvu varat izmantot arī Nida Planfix Fresh ģipša špakteli.

Patēriņa standartos nav ņemti vērā materiālie zaudējumi.

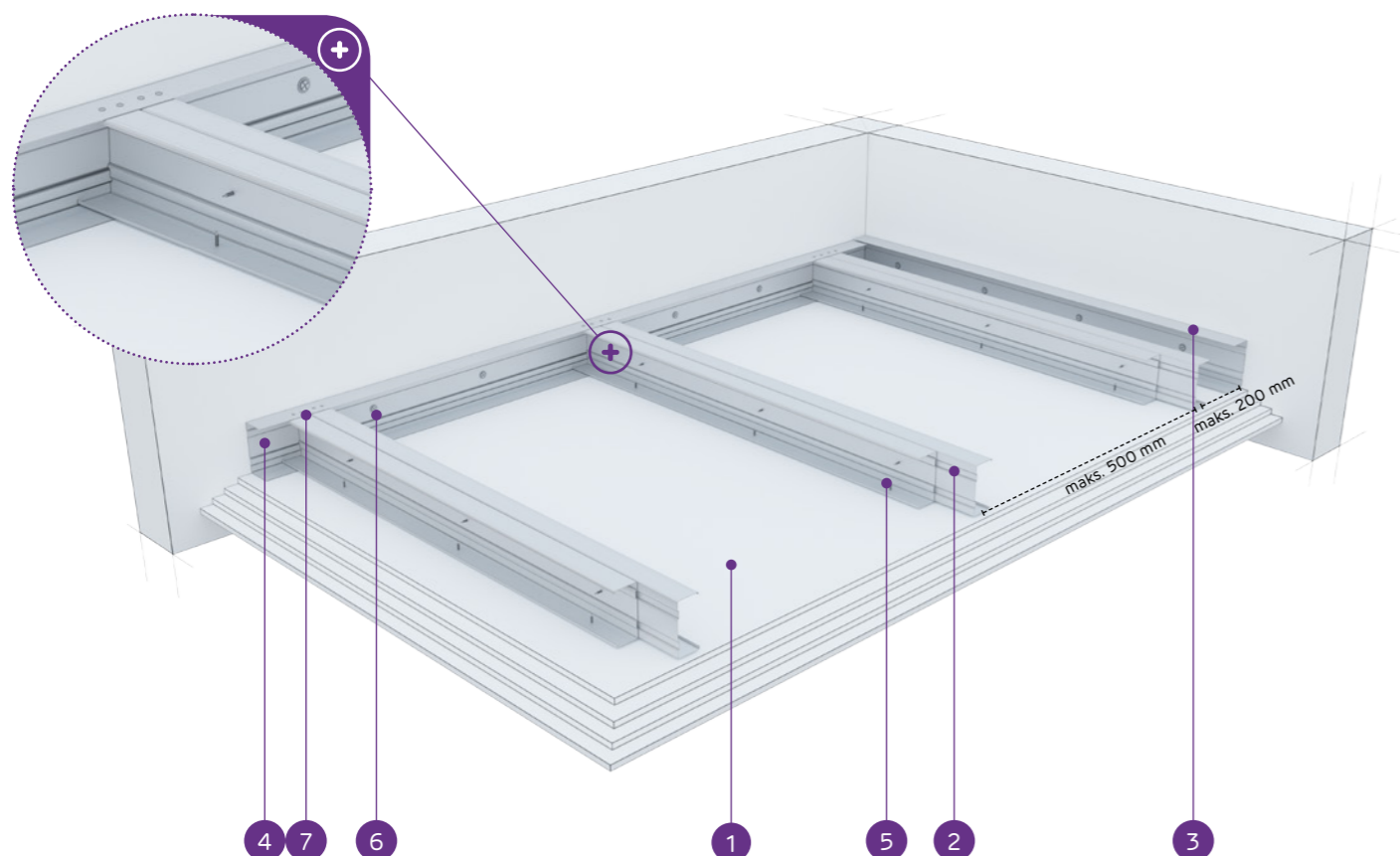


nida Griesti

Ugunsizturības
klase:
(R)EI60
(R)EI90
(R)EI120Maksimālais
apdares
platums:
2460 mmMinimālais
piekāršanas
augstums:
85 mmBūves svars
1m²:
35,0-67,0 kgSaistītā
dokumenta
numurs:
EN13964:2004+A1Eksploatacijas īpašību deklarācija:
DoP/Ceiling System/0049/15.11.2016

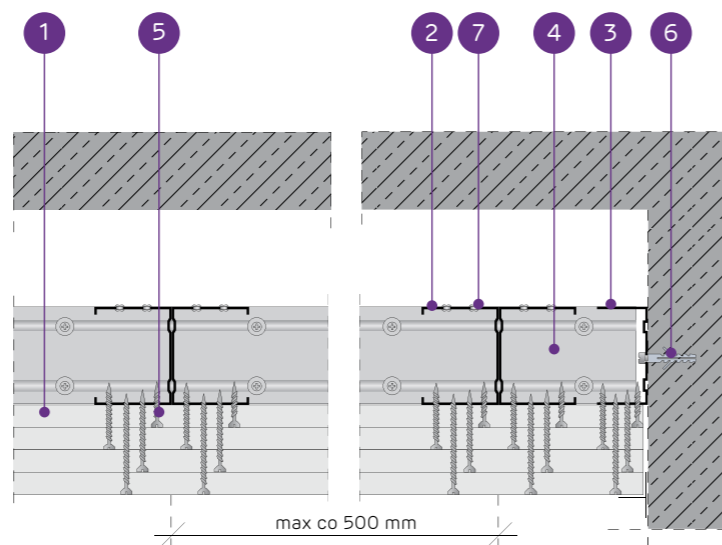
SISTĒMAS:

CC75/U75/500-37,5; CC75/U75/500-40; CC75/U75/500-60



MATERIĀLI:

- Ģipškartona plāksnes Nida
- Dubultais nesošais profils Nida C 75
- Konstrukcijas profils Nida U 75
- Nesošais profils Nida U 75
- Pašurbjošā skrūve Nida 3,5 x 25 mm
- Tērauda enkurošanas elements ar Tērauda paplāksni
- Kniede



PAŠNESOŠO GRIESTU SISTĒMA AR DUBULTO NIDA C75 KONSTRUKCIJU

TEHNISKIE PARAMETRI

Sistēmas tips Nida Griesti	Režģa konstrukcija				Ģipša plāksņu apšuvums		Minimālais piekāršanas augstums	Būves svars 1 m ²	Ugunsizturības klase ¹⁾	Maksimālais griestu apdares platums ²⁾	Īpašā sistē- ma
	Nida nesošā profila tips	Nida nesošā perimetra profila tips	Nida konstruk- cijas perimetra profila tips	Maksimālais Nida C75 nesošo profilu atstatums	Nida	Biezums					
CC75/U75/500-37,5/Uguns+	2xC75	U75	U75	500	Uguns Pluss	3x12,5	122,5	35,0	(R)EI60	2460	-
CC75/U75/500-37,5/ŪdensUguns+	2xC75	U75	U75	500	Ūdens Uguns Pluss	3x12,5	122,5	35,0	(R)EI60	2460	-
CC75/U75/500-37,5/Cietā	2xC75	U75	U75	500	Cietā	3x12,5	122,5	43,0	(R)EI60	2170	●
CC75/U75/500-37,5/Hydro	2xC75	U75	U75	500	Hydro	3x12,5	122,5	37,0	(R)EI60	2300	●
CC75/U75/500-40/Uguns+	2xC75	U75	U75	500	Uguns Pluss	2x12,5+15,0	125	38,0	(R)EI90	2300	-
CC75/U75/500-40/Cietā	2xC75	U75	U75	500	Cietā	2x12,5+15,0	125	46,0	(R)EI90	2060	●
CC75/U75/500-40/Hydro	2xC75	U75	U75	500	Hydro	2x12,5+15,0	125	40,0	(R)EI90	2300	●
CC75/U75/500-60/Uguns+	2xC75	U75	U75	500	Uguns Pluss	4x15,0	145	59,0	(R)EI120	1880	-
CC75/U75/500-60/Cietā	2xC75	U75	U75	500	Cietā	4x15,0	145	67,0	(R)EI120	1740	●
CC75/U75/500-60/Hydro	2xC75	U75	U75	500	Hydro	4x15,0	145	59,0	(R)EI120	1880	●

¹⁾ Ugunsdrošības klasifikācija LBO-458-K/17.²⁾ Tehniskais atzinums ITB 1060/12/R33NK.MATERIĀLU PATĒRĪŅŠ UZ 1 M² GRIESTU APBŪVES NIDA GRIESTI SISTĒMĀ

Materiāla nosaukums	Mērv.	Sistēmas tips Nida Griesti										
		CC75/ U75/500- 37,5/ Uguns+	CC75/ U75/500- 37,5/ ŪdensUguns+	CC75/ U75/500- 37,5/Cietā	CC75/ U75/500- 37,5/Hydro	CC75/ U75/500- 40/ Uguns+	CC75/ U75/500- 40/Cietā	CC75/ U75/500- 40/Hydro	CC75/ U75/500- 60/ Uguns+	CC75/ U75/500- 60/Cietā	CC75/ U75/500- 60/Hydro	
		Materiāla patēriņš uz 1 m ²										
Plāksne Nida Uguns Pluss 12,5 mm	m ²	3,0	-	-	-	2,0	-	-	-	-	-	
Plāksne Nida Ūdens Uguns Pluss 12,5 mm	m ²	-	3,0	-	-	-	-	-	-	-		
Plāksne Nida Cietā 12,5 mm	m ²	-	-	3,0	-	-	2,0	-	-	-		
Plāksne Nida Hydro 12,5 mm	m ²	-	-	-	3,0	-	-	2,0	-	-		
Plāksne Nida Uguns Pluss 15,0 mm	m ²	-	-	-	-	1,0	-	4,0	-	-		
Plāksne Nida Cietā 15,0 mm	m ²	-	-	-	-	-	1,0	-	4,0	-		
Plāksne Nida Hydro 15,0 mm	m ²	-	-	-	-	-	-	1,0	-	4,0		
Profils Nida C75	tek.m	4,4	4,4	4,4	4,4	4,4	4,4	4,4	4,4	4,4		
Profils Nida U75	tek.m	0,75	0,75	0,75	0,75	0,75	0,75	0,75	0,75	0,75		
Kniedes	gab.	5,6	5,6	5,6	5,6	5,6	5,6	5,6	5,6	5,6		
Tērauda enkurošanas elements (tips atbilstoši būves svaram) ³⁾	gab.	1,7	1,7	1,7	1,7	1,7	1,7	1,7	1,7	1,7		
Pašurbjošās skrūves Nida 3,5x9,5/11 mm	gab.	8,3	8,3	8,3	8,3	8,3	8,3	8,3	8,3	8,3		
Pašurbjošās skrūves Nida 3,5x25 mm	gab.	6,0	6,0	-	-	6,0	-	6,0	-	-		
Pašurbjošās skrūves Nida 3,5x35 mm	gab.	6,0	6,0	-	-	6,0	-	-	-	-		
Pašurbjošās skrūves Nida 3,5x45 mm	gab.	-	-	-	-	-	-	6,0	-	-		
Pašurbjošās skrūves Nida 3,5x55 mm	gab.	18,0	18,0	-	-	18,0	-	6,0	-	-		
Pašurbjošās skrūves Nida 4,2x70 mm	gab.	-	-	-	-	-	-	18,0	-	-		
Pašurbjošās skrūves Nida Cietā 35 (3,9x35 mm)	gab.	-	-	12,0	-	-	12,0	-	6,0	-		
Pašurbjošās skrūves Nida Cietā 45 (3,9x45 mm)	gab.	-	-	-	-	-	-	-	6,0	-		
Pašurbjošās skrūves Nida Cietā 55 (3,9x55 mm)	gab.	-	-	18,0	-	-	18,0	-	6,0	-		
Pašurbjošās skrūves Nida Cietā 70 (4,2x70 mm)	gab.	-	-	-	-	-	-	-	18,0	-		
Pašurbjošās skrūves Nida Hydro C4 3,5x25 mm	gab.	-	-	-	6,0	-	-	6,0	-	6,0		
Pašurbjošās skrūves Nida Hydro C4 3,5x41 mm	gab.	-	-	-	6,0	-	-	6,0	-	6,0		
Pašurbjošās skrūves Nida Hydro C4 3,5x55 mm	gab.	-	-	-	18,0	-	-	18,0	-	6,0		
Pašurbjošās skrūves Nida Hydro C4 4,2x70 mm	gab.	-	-	-	-	-	-	-	-	18,0		
Līmlente šuvēm Nida	tek.m	1,4	1,4	1,4	1,4	1,4	1,4	1,4	1,4	1,4		
Ģipša špaktele Nida Start	kg	0,9	0,9	-	-	0,9	-	-	1,2	-		
Ģipša špaktele Nida Finisz	kg	0,1	0,1	-	-	0,1	-	-	0,1	-		
Gatavā špaktelmasa Nida Hydromix ⁴⁾	kg	-	-	1,0	1,0	-	1,0	1,0	1,3	1,3		

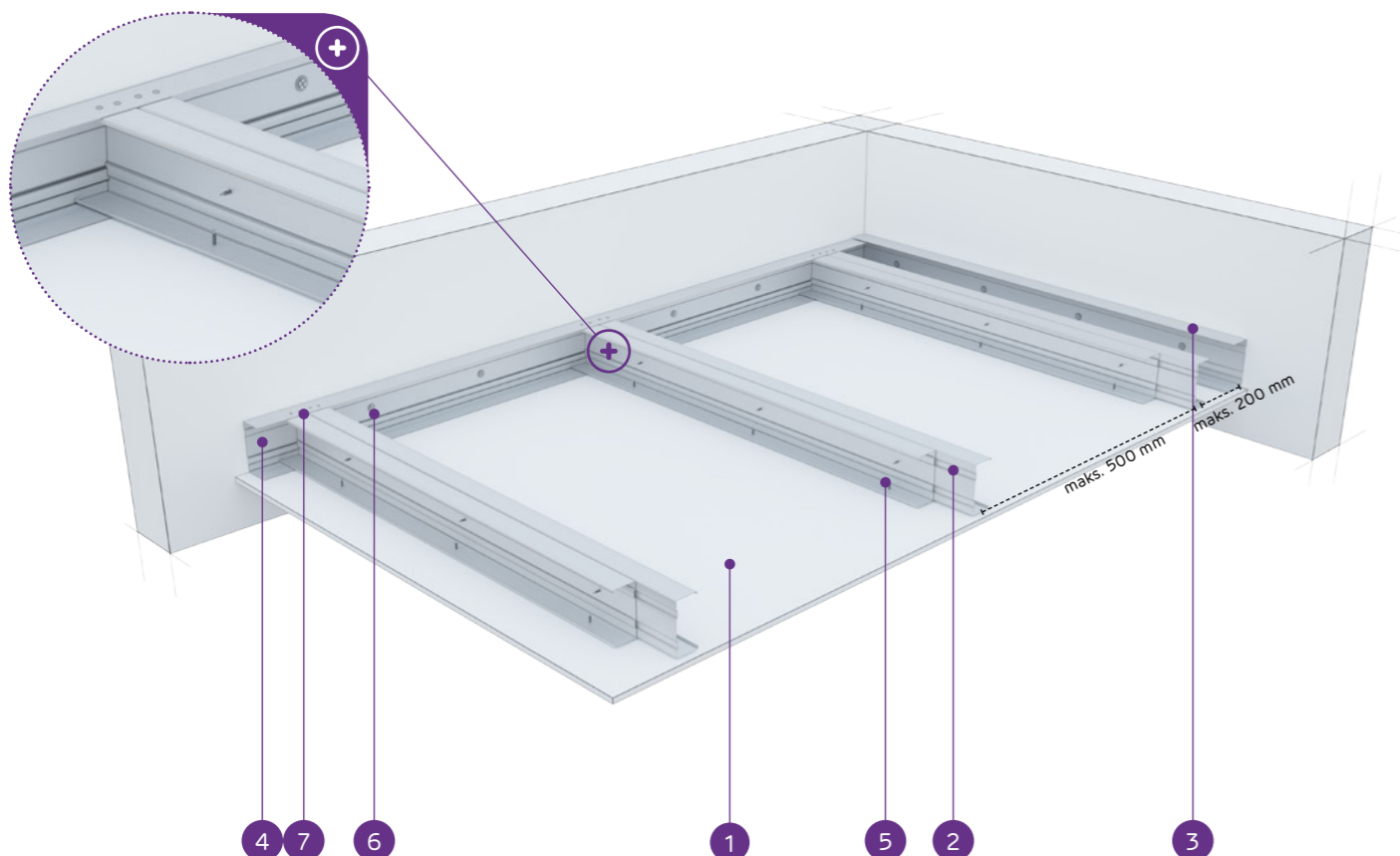
³⁾ Enkurošanas elementu tips un skaits jāizvēlas saskaņā ar shēmu, kas iekļauta ITB tehniskajā atzinumā Pašnesošie griesti: ITB 1060/12/R33NK.⁴⁾ Izmantojot ģipša šķiedru plāksnes Nida Cietā, kā alternatīvu varat izmantot arī Nida Planfix Fresh ģipša špakteļi. Patēriņa standartos nav ņemti vērā materiālie zaudējumi.

nida Griesti

Ugunsizturības
klase:
(R)EI15
(R)EI30Maksimālais
apdares
platums:
4270 mmMinimālais
piekāršanas
augstums:
110 mmBūves svars
1m²:
13,0-20,0 kgSaisītā
dokumenta
numurs:
EN13964:2004+A1Eksploatacijas īpašību deklarācija:
DoP/Ceiling System/0051/15.11.2016

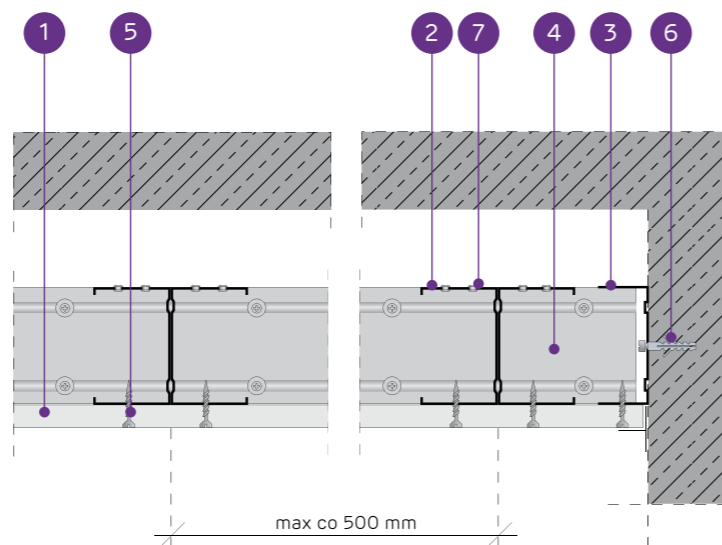
SISTĒMAS:

CC100/U100/500-12,5; CC100/U100/500-15; CC100/U100/500-18



MATERIĀLI:

1. Ģipškartona plāksnes Nida
2. Dubultais nesošais profils Nida C 100
3. Konstrukcijas profils Nida U 100
4. Nesošais profils Nida U 100
5. Pašurbjošā skrūve Nida 3,5 x 25 mm
6. Tērauda enkurošanas elements ar Tērauda paplāksni
7. Kniede



PAŠNESOŠO GRIESTU SISTĒMA AR DUBULTO NIDA C100 KONSTRUKCIJU

TEHNISKIE PARAMETRI

Sistēmas tips Nida Griesti	Režģa konstrukcija				Ģipša plākšņu apšuvums		Minimālais piekāršanas augstums	Būves svars 1 m ²	Ugunsizturības klase ¹⁾	Maksimālais griestu apdares platums ²⁾	Īpaša sistē- ma	
	Nida nesošā profila tips	Nida nesošā perimetra profila tips	Nida konstruk- cijas perimetra profila tips	Maksimālais Nida C100 nesošo profilu atstatums	[mm]	Nida						Biezums
CC100/U100/500-12,5/Expert	2xC100	U100	U100	500	Expert	12,5	122,5	13,0	-	4270	-	
CC100/U100/500-12,5/Ūdens ³⁾	2xC100	U100	U100	500	Ūdens	12,5	122,5	13,0	-	4270	-	
CC100/U100/500-12,5/Uguns+	2xC100	U100	U100	500	Uguns Pluss	12,5	122,5	15,0	(R)EI15	4270	-	
CC100/U100/500-12,5/ŪdensUguns+	2xC100	U100	U100	500	Ūdens Uguns Pluss	12,5	122,5	15,0	(R)EI15	4270	-	
CC100/U100/500-12,5/Cietā	2xC100	U100	U100	500	Cietā	12,5	122,5	17,0	(R)EI15	3700	●	
CC100/U100/500-12,5/Hydro	2xC100	U100	U100	500	Hydro	12,5	122,5	15,0	(R)EI15	4270	●	
CC100/U100/500-15/Uguns+	2xC100	U100	U100	500	Uguns Pluss	15,0	125	18,0	(R)EI15	3700	-	
CC100/U100/500-15/Cietā	2xC100	U100	U100	500	Cietā	15,0	125	20,0	(R)EI15	3700	●	
CC100/U100/500-15/Hydro	2xC100	U100	U100	500	Hydro	15,0	125	18,0	(R)EI15	3700	●	
CC100/U100/500-18/Uguns+	2xC100	U100	U100	500	Uguns Pluss	18,0	128	19,0	(R)EI30	3700	-	

¹⁾ Ugunsdrošības klasifikācija LBO-458-K/17.²⁾ Tehniskais atzinums ITB 1060/12/R33NK.³⁾ Telpās ar relatīvo gaisa mitrumu līdz 85 % stūra sekcijās pret intensīvu ūdens iedarbību ieteicams izmantot Nida Hydro ģipša šķiedru plāksnes (horizontālām un vertikālām virsmām vannas, dušas utt. zonās).MATERIĀLU PATĒRIŅŠ UZ 1 M² GRIESTU APBŪVES NIDA GRIESTI SISTĒMĀ

Materiāla nosaukums	Mērv.	Sistēmas tips Nida Griesti									
		CC100/ U100/500- 12,5/ Expert	CC100/ U100/500- 12,5/ Ūdens	CC100/ U100/500- 12,5/ Uguns+	CC100/ U100/500- 12,5/ ŪdensUguns+	CC100/ U100/500- 12,5/ Cietā	CC100/ U100/500- 12,5/ Hydro	CC100/ U100/500- 15/ Uguns+	CC100/ U100/500- 15/ Cietā	CC100/ U100/500- 15/ Hydro	CC100/ U100/500- 18/ Uguns+
		Materiāla patēriņš uz 1 m ²									
Plāksne Nida Expert 12,5 mm	m ²	1,0	-	-	-	-	-	-	-	-	-
Plāksne Nida Ūdens 12,5 mm	m ²	-	1,0	-	-	-	-	-	-	-	-
Plāksne Nida Uguns Pluss 12,5 mm	m ²	-	-	1,0	-	-	-	-	-	-	-
Plāksne Nida Ūdens Uguns Pluss 12,5 mm	m ²	-	-	-	1,0	-	-	-	-	-	-
Plāksne Nida Cietā 12,5 mm	m ²	-	-	-	-	1,0	-	-	-	-	-
Plāksne Nida Hydro 12,5 mm	m ²	-	-	-	-	-	1,0	-	-	-	-
Plāksne Nida Uguns Pluss 15,0 mm	m ²	-	-	-	-	-	-	1,0	-	-	-
Plāksne Nida Cietā 15,0 mm	m ²	-	-	-	-	-	-	-	1,0	-	-
Plāksne Nida Hydro 15,0 mm	m ²	-	-	-	-	-	-	-	-	1,0	-
Plāksne Nida Uguns Pluss 18,0 mm	m ²	-	-	-	-	-	-	-	-	-	1,0
Profils Nida C100	tek.m	4,4	4,4	4,4	4,4	4,4	4,4	4,4	4,4	4,4	4,4
Profils Nida U100	tek.m	0,75	0,75	0,75	0,75	0,75	0,75	0,75	0,75	0,75	0,75
Kniedes	gab.	5,6	5,6	5,6	5,6	5,6	5,6	5,6	5,6	5,6	5,6
Tērauda enkurošanas elements (tips atbilstoši būves svaram) ⁴⁾	gab.	1,7	1,7	1,7	1,7	1,7	1,7	1,7	1,7	1,7	1,7
Pašurbjošās skrūves Nida 3,5x9,5/11 mm	gab.	8,3	8,3	8,3	8,3	8,3	8,3	8,3	8,3	8,3	8,3
Pašurbjošās skrūves Nida 3,5x25 mm	gab.	18,0	18,0	18,0	18,0	-	-	18,0	-	-	-
Pašurbjošās skrūves Nida 3,5x35 mm	gab.	-	-	-	-	-	-	-	-	-	18,0
Pašurbjošās skrūves Nida Cietā 35 (3,9x35 mm)	gab.	-	-	-	-	-	18,0	-	-	18,0	-
Pašurbjošās skrūves Nida Hydro C4 3,5x25 mm	gab.	-	-	-	-	-	18,0	-	-	18,0	-
Limlente šuvēm Nida	tek.m	1,4	1,4	1,4	1,4	1,4	1,4	1,4	1,4	1,4	1,4
Ģipša špaktele Nida Start	kg	0,3	0,3	0,3	0,3	-	-	0,3	-	-	0,3
Ģipša špaktele Nida Finisz	kg	0,1	0,1	0,1	0,1	-	-	0,1	-	-	0,1
Gatavā špaktelmasa Nida Hydromix ⁵⁾	kg	-	-	-	-	0,4	0,4	-	0,4	0,4	-

⁴⁾ Enkurošanas elementu tips un skaits jāizvēlas saskaņā ar shēmu, kas iekļauta ITB tehniskajā atzinumā Pašnesošie griesti: ITB 1060/12/R33NK.⁵⁾ Izmantojot ģipša šķiedru plāksnes Nida Cietā, kā alternatīvu varat izmantot arī Nida Planfix Fresh ģipša špakteļi.

Patēriņa standartos nav ņemti vērā materiālie zaudējumi.

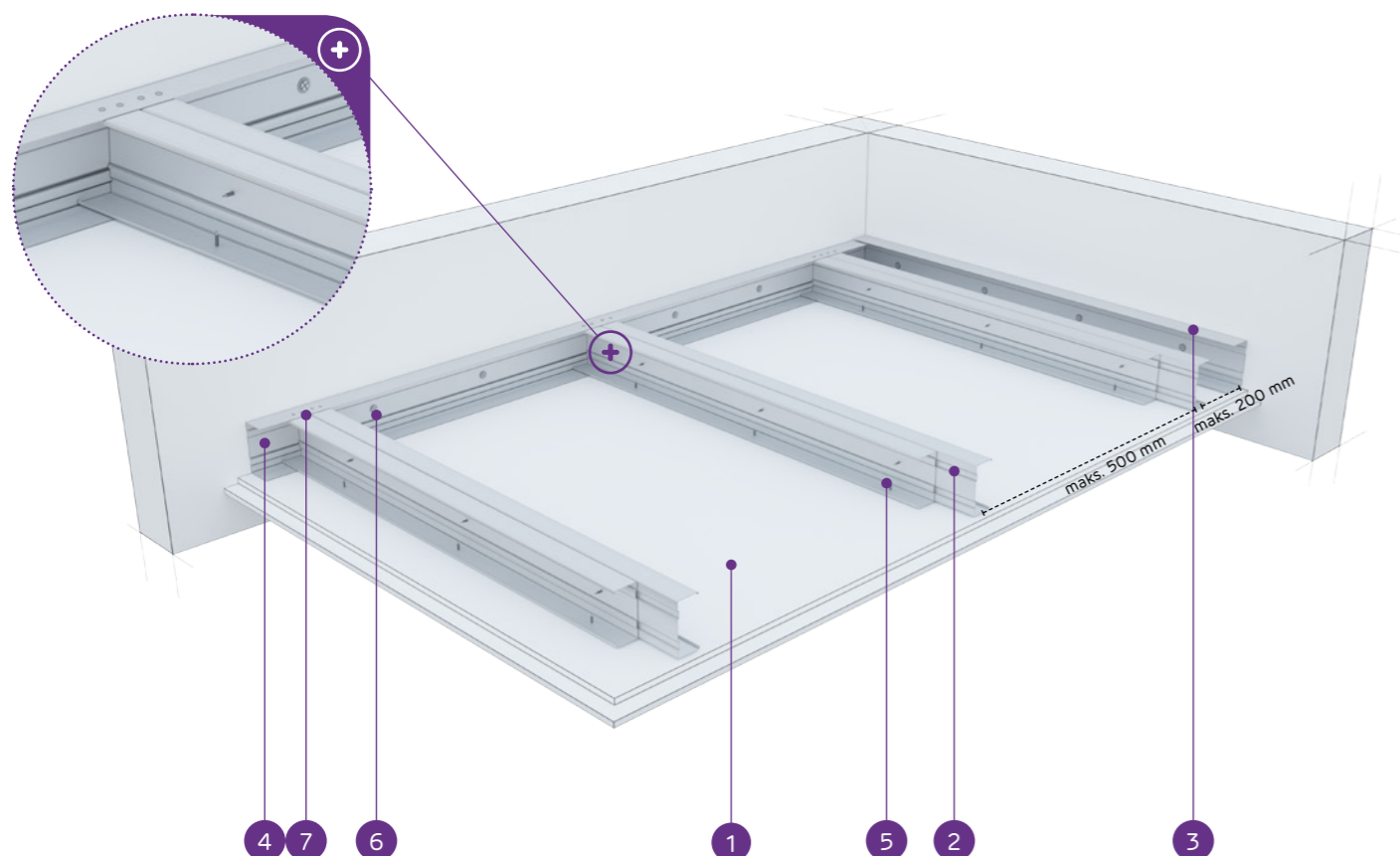


nida Griesti

Ugunsizturības
klase:
(R)EI45
(R)EI60Maksimālais
apdares
platums:
3330 mmMinimālais
piekāršanas
augstums:
110 mmBūves svars
1m²:
21,0-36,0 kgSaisītā
dokumenta
numurs:
EN13964:2004+A1Eksploatacijas īpašību deklarācija:
DoP/Ceiling System/0051/15.11.2016

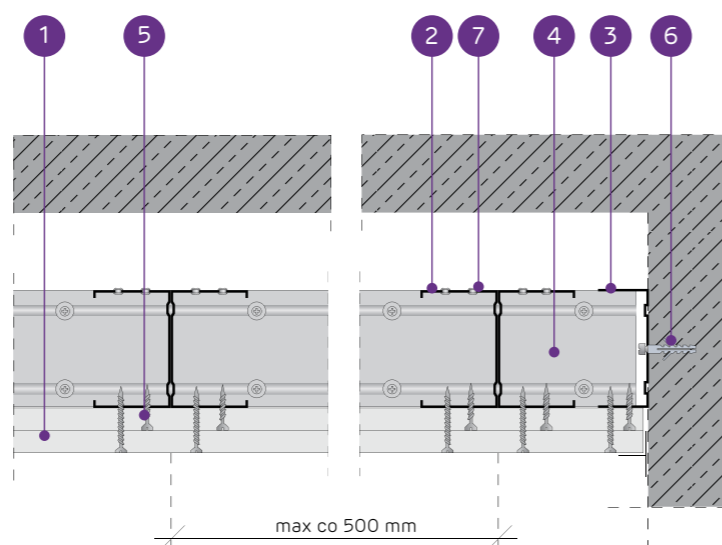
SISTĒMAS:

CC100/U100/500-25; CC100/U100/500-30



MATERIĀLI:

1. Ģipškartona plāksnes Nida
2. Dubultais nesošais profils Nida C 100
3. Konstruktīvais profils Nida U 100
4. Nesošais profils Nida U 100
5. Pašurbjošā skrūve Nida 3,5 x 25 mm
6. Tērauda enkurošanas elements ar Tērauda paplāksni
7. Kniede



PAŠNESOŠO GRIESTU SISTĒMA AR DUBULTO NIDA C100 KONSTRUKCIJU

TEHNISKIE PARAMETRI

Sistēmas tips Nida Griesti	Režģa konstrukcija				Ģipša plākšņu apšuvums		Minimālais piekāršanas augstums	Būves svars 1 m ²	Ugunsizturības klase ¹⁾	Maksimālais griestu apdares platums ²⁾	Ipaša sistē- ma
	Nida nesošā profila tips	Nida nesošā perimetra profila tips	Nida konstruk- cijas perimetra profila tips	Maksimālais Nida C100 nesošo profilu atstatums	Nida	Biezums					
CC100/U100/500-25/Expert	2xC100	U100	U100	500	Expert	2x12,5	135	21,0	-	3330	-
CC100/U100/500-25/Ūdens ³⁾	2xC100	U100	U100	500	Ūdens	2x12,5	135	22,0	-	3330	-
CC100/U100/500-25/Uguns+	2xC100	U100	U100	500	Uguns Pluss	2x12,5	135	25,0	(R)EI45	3330	-
CC100/U100/500-25/ŪdensUguns+	2xC100	U100	U100	500	Ūdens Uguns Pluss	2x12,5	135	25,0	(R)EI45	3330	-
CC100/U100/500-25/Cietā	2xC100	U100	U100	500	Cietā	2x12,5	135	30,0	(R)EI45	3040	●
CC100/U100/500-25/Hydro	2xC100	U100	U100	500	Hydro	2x12,5	135	26,0	(R)EI45	3040	●
CC100/U100/500-30/Uguns+	2xC100	U100	U100	500	Uguns Pluss	2x15,0	140	32,0	(R)EI60	2810	-
CC100/U100/500-30/Cietā	2xC100	U100	U100	500	Cietā	2x15,0	140	36,0	(R)EI60	2630	●
CC100/U100/500-30/Hydro	2xC100	U100	U100	500	Hydro	2x15,0	140	32,0	(R)EI60	2810	●

¹⁾ Ugunsdrošības klasifikācija LBO-458-K/17.²⁾ Tehniskais atzinums ITB 1060/12/R33NK.³⁾ Telpās ar relatīvo gaisa mitrumu līdz 85 % stūra sekcijās pret intensīvu ūdens iedarbību ieteicams izmantot Nida Hydro ģipša šķiedru plāksnes (horizontālām un vertikālām virsmām vannas, dušas utt. zonās).MATERIĀLU PATĒRIŅŠ UZ 1 M² GRIESTU APBŪVES NIDA GRIESTI SISTĒMĀ

Materiāla nosaukums	Mērv.	Sistēmas tips Nida Griesti									
		CC100/ U100/500- 25/Expert	CC100/ U100/500- 25/Ūdens	CC100/ U100/500- 25/ Uguns+	CC100/ U100/500- 25/ ŪdensUguns+	CC100/ U100/500- 25/Cietā	CC100/ U100/500- 25/Hydro	CC100/ U100/500- 30/Uguns+	CC100/ U100/500- 30/Cietā	CC100/ U100/500- 30/Hydro	
		Materiāla patēriņš uz 1 m ²									
Plāksne Nida Expert 12,5 mm	m ²	2,0	-	-	-	-	-	-	-	-	
Plāksne Nida Ūdens 12,5 mm	m ²	-	2,0	-	-	-	-	-	-	-	
Plāksne Nida Uguns Pluss 12,5 mm	m ²	-	-	2,0	-	-	-	-	-	-	
Plāksne Nida Ūdens Uguns Pluss 12,5 mm	m ²	-	-	-	2,0	-	-	-	-	-	
Plāksne Nida Cietā 12,5 mm	m ²	-	-	-	-	2,0	-	-	-	-	
Plāksne Nida Hydro 12,5 mm	m ²	-	-	-	-	-	2,0	-	-	-	
Plāksne Nida Uguns Pluss 15,0 mm	m ²	-	-	-	-	-	-	2,0	-	-	
Plāksne Nida Cietā 15,0 mm	m ²	-	-	-	-	-	-	-	2,0	-	
Plāksne Nida Hydro 15,0 mm	m ²	-	-	-	-	-	-	-	-	2,0	
Profils Nida C100	tek.m	4,4	4,4	4,4	4,4	4,4	4,4	4,4	4,4	4,4	
Profils Nida U100	tek.m	0,75	0,75	0,75	0,75	0,75	0,75	0,75	0,75	0,75	
Kniedes	gab.	5,6	5,6	5,6	5,6	5,6	5,6	5,6	5,6	5,6	
Tērauda enkurošanas elements (tips atbilstoši būves svaram) ⁴⁾	gab.	1,7	1,7	1,7	1,7	1,7	1,7	1,7	1,7	1,7	
Pašurbjošās skrūves Nida 3,5x9,5/11 mm	gab.	8,3	8,3	8,3	8,3	8,3	8,3	8,3	8,3	8,3	
Pašurbjošās skrūves Nida 3,5x25 mm	gab.	6,0	6,0	6,0	6,0	-	-	6,0	-	-	
Pašurbjošās skrūves Nida 3,5x35 mm	gab.	18,0	18,0	18,0	18,0	-	-	-	-	-	
Pašurbjošās skrūves Nida 3,5x45 mm	gab.	-	-	-	-	-	-	18,0	-	-	
Pašurbjošās skrūves Nida Cietā 35 (3,9x35 mm)	gab.	-	-	-	-	24,0	-	-	6,0	-	
Pašurbjošās skrūves Nida Cietā 45 (3,9x45 mm)	gab.	-	-	-	-	-	-	-	18,0	-	
Pašurbjošās skrūves Nida Hydro C4 3,5x25 mm	gab.	-	-	-	-	-	6,0	-	-	6,0	
Pašurbjošās skrūves Nida Hydro C4 3,5x41 mm	gab.	-	-	-	-	-	18,0	-	-	18,0	
Limlente šuvēm Nida	tek.m	1,4	1,4	1,4	1,4	1,4	1,4	1,4	1,4	1,4	
Ģipša špaktele Nida Start	kg	0,6	0,6	0,6	0,6	-	-	0,6	-	-	
Ģipša špaktele Nida Finisz	kg	0,1	0,1	0,1	0,1	-	-	0,1	-	-	
Gatavā špakteļmasa Nida Hydromix ⁵⁾	kg	-	-	-	-	0,7	0,7	-	0,7	0,7	

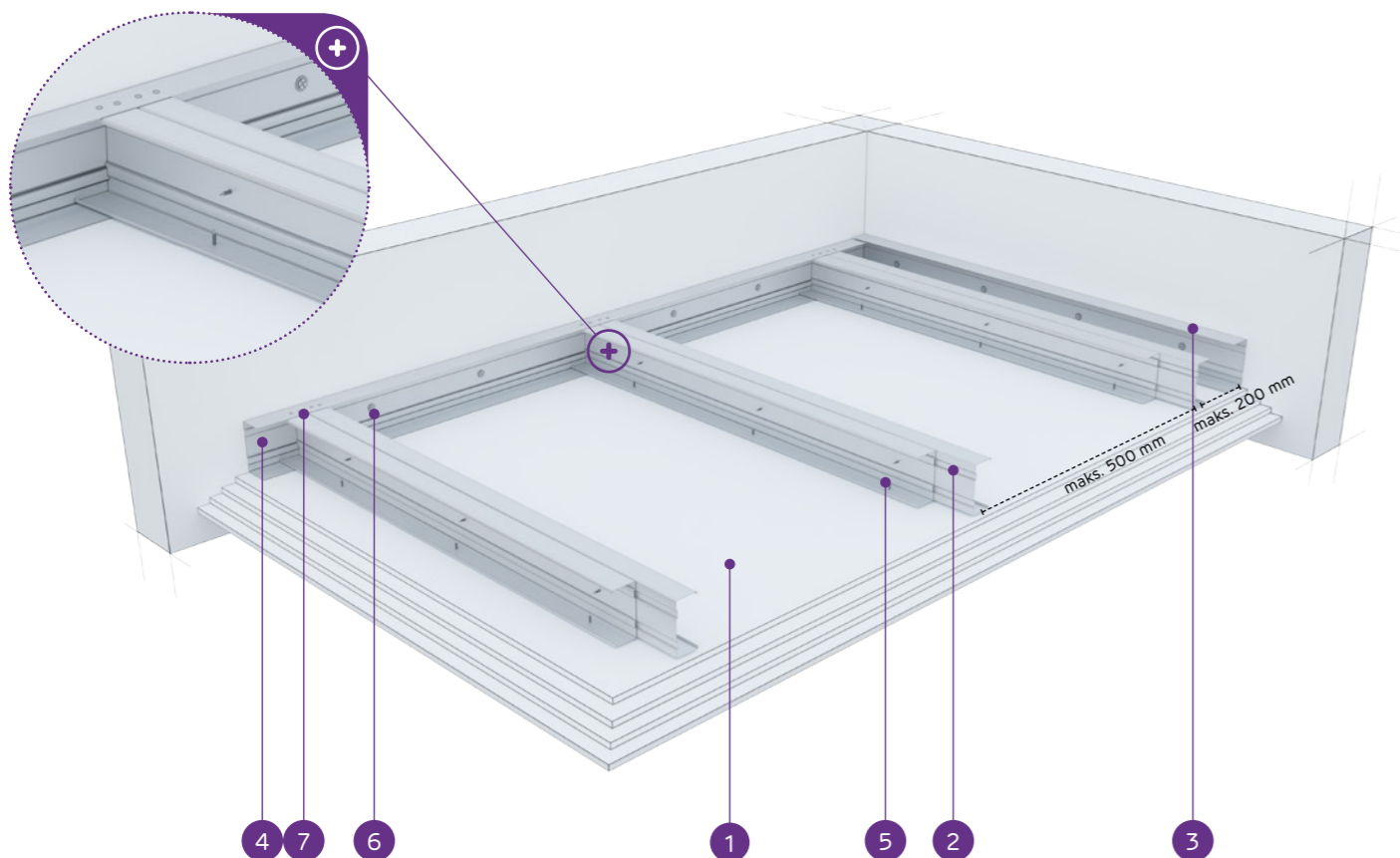
⁴⁾ Enkurošanas elementu tips un skaits jāizvēlas saskaņā ar shēmu, kas iekļauta ITB tehniskajā atzinumā Pašnesošie griesti: ITB 1060/12/R33NK.⁵⁾ Izmantojot ģipša šķiedru plāksnes Nida Cietā, kā alternatīvu varat izmantot arī Nida Planfix Fresh ģipša špakteli. Patēriņa standartos nav ņemti vērā materiālie zaudējumi.

nida Griesti

Ugunsizturības
klase:
(R)EI60
(R)EI90
(R)EI120Maksimālais
apdares
platums:
2810 mmMinimālais
piekāršanas
augstums:
110 mmBūves svars
1m²:
35,0-67,0 kgSaisītā
dokumenta
numurs:
EN13964:2004+A1Eksploatacijas īpašību deklarācija:
DoP/Ceiling System/0051/15.11.2016

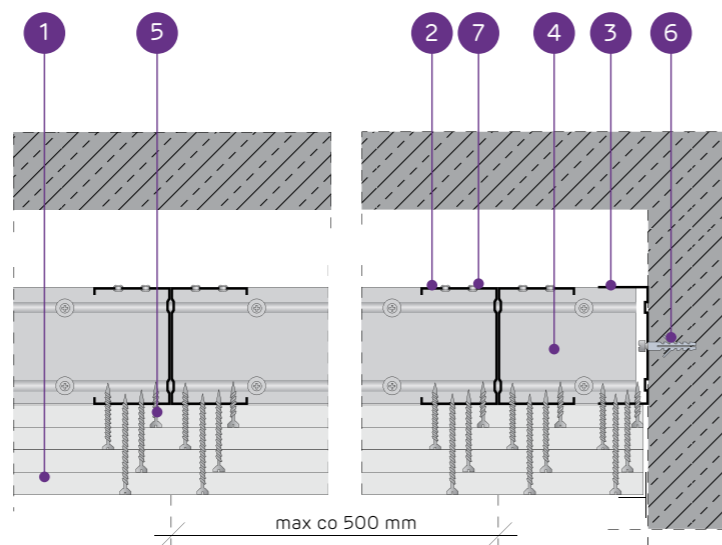
SISTĒMAS:

CC100/U100/500-37,5; CC100/U100/500-40; CC100/U100/500-60



MATERIĀLI:

- Ģipškartona plāksnes Nida
- Dubultais nesošais profils Nida C 100
- Konstrukcijas profils Nida U 100
- Nesošais profils Nida U 100
- Pašurbjošā skrūve Nida 3,5 x 25 mm
- Tērauda enkurošanas elements ar Tērauda paplāksni
- Kniede



PAŠNESOŠO GRIESTU SISTĒMA AR DUBULTO NIDA C100 KONSTRUKCIJU

TEHNISKIE PARAMETRI

Sistēmas tips Nida Griesti	Režģa konstrukcija				Ģipša plākšņu apšuvums	Minimālais piekāršanas augstums	Būves svars 1 m ²	Ugunsizturības klase ¹⁾	Maksimālais griestu apdares plātums ²⁾	Ipaša sistē- ma	
	Nida nesošā profila tips	Nida nesošā perimetra profila tips	Nida konstruk- cijas perimetra profila tips	Maksimālais Nida C100 nesošo profilu atstatums							
	[mm]	[mm]	[mm]	[mm]	Nida	Biezums	[mm]	kg	[min.]	[mm]	
CC100/U100/500-37,5/Uguns+	2xC100	U100	U100	500	Uguns Plus	3x12,5	147,5	35,0	(R)EI60	2810	-
CC100/U100/500-37,5/ŪdensUguns+	2xC100	U100	U100	500	Ūdens Uguns Plus	3x12,5	147,5	35,0	(R)EI60	2810	-
CC100/U100/500-37,5/Cietā	2xC100	U100	U100	500	Cietā	3x12,5	147,5	44,0	(R)EI60	2480	●
CC100/U100/500-37,5/Hydro	2xC100	U100	U100	500	Hydro	3x12,5	147,5	38,0	(R)EI60	2630	●
CC100/U100/500-40/Uguns+	2xC100	U100	U100	500	Uguns Plus	2x12,5+15,0	150	39,0	(R)EI90	2630	-
CC100/U100/500-40/Cietā	2xC100	U100	U100	500	Cietā	2x12,5+15,0	150	46,0	(R)EI90	2350	●
CC100/U100/500-40/Hydro	2xC100	U100	U100	500	Hydro	2x12,5+15,0	150	40,0	(R)EI90	2630	●
CC100/U100/500-60/Uguns+	2xC100	U100	U100	500	Uguns Plus	4x15,0	170	59,0	(R)EI120	2150	-
CC100/U100/500-60/Cietā	2xC100	U100	U100	500	Cietā	4x15,0	170	67,0	(R)EI120	1990	●
CC100/U100/500-60/Hydro	2xC100	U100	U100	500	Hydro	4x15,0	170	59,0	(R)EI120	2150	●

¹⁾ Ugunsdrošības klasifikācija LBO-458-K/17.²⁾ Tehniskais atzinums ITB 1060/12/R33NK.MATERIĀLU PATĒRIŅŠ UZ 1 M² GRIESTU APBŪVES NIDA GRIESTI SISTĒMĀ

Materiāla nosaukums	Mērv.	Sistēmas tips Nida Griesti										
		CC100/ U100/500- 37,5/ Uguns+	CC100/ U100/500- 37,5/ ŪdensUguns+	CC100/ U100/500- 37,5/Cietā	CC100/ U100/500- 37,5/Hydro	CC100/ U100/500- 40/ Uguns+	CC100/ U100/500- 40/Cietā	CC100/ U100/500- 40/Hydro	CC100/ U100/500- 60/ Uguns+	CC100/ U100/500- 60/Cietā	CC100/ U100/500- 60/Hydro	
Materiāla patēriņš uz 1 m ²												
Plāksne Nida Uguns Plus 12,5 mm	m ²	3,0	-	-	-	2,0	-	-	-	-	-	
Plāksne Nida Ūdens Uguns Plus 12,5 mm	m ²	-	3,0	-	-	-	-	-	-	-	-	
Plāksne Nida Cietā 12,5 mm	m ²	-	-	3,0	-	-	2,0	-	-	-	-	
Plāksne Nida Hydro 12,5 mm	m ²	-	-	-	3,0	-	-	2,0	-	-	-	
Plāksne Nida Uguns Plus 15,0 mm	m ²	-	-	-	-	1,0	-	-	4,0	-	-	
Plāksne Nida Cietā 15,0 mm	m ²	-	-	-	-	-	1,0	-	-	4,0	-	
Plāksne Nida Hydro 15,0 mm	m ²	-	-	-	-	-	-	1,0	-	-	4,0	
Profils Nida C100	tek.m	4,4	4,4	4,4	4,4	4,4	4,4	4,4	4,4	4,4	4,4	
Profils Nida U100	tek.m	0,75	0,75	0,75	0,75	0,75	0,75	0,75	0,75	0,75	0,75	
Kniedes	gab.	5,6	5,6	5,6	5,6	5,6	5,6	5,6	5,6	5,6	5,6	
Tērauda enkurošanas elements (tips atbilstoši būves svaram) ³⁾	gab.	1,7	1,7	1,7	1,7	1,7	1,7	1,7	1,7	1,7	1,7	
Pašurbjošās skrūves Nida 3,5x9,5/11 mm	gab.	8,3	8,3	8,3	8,3	8,3	8,3	8,3	8,3	8,3	8,3	
Pašurbjošās skrūves Nida 3,5x25 mm	gab.	6,0	6,0	-	-	6,0	-	-	6,0	-	-	
Pašurbjošās skrūves Nida 3,5x35 mm	gab.	6,0	6,0	-	-	6,0	-	-	-	-	-	
Pašurbjošās skrūves Nida 3,5x45 mm	gab.	-	-	-	-	-	-	-	6,0	-	-	
Pašurbjošās skrūves Nida 3,5x55 mm	gab.	18,0	18,0	-	-	18,0	-	-	6,0	-	-	
Pašurbjošās skrūves Nida 4,2x70 mm	gab.	-	-	-	-	-	-	-	18,0	-	-	
Pašurbjošās skrūves Nida Cietā 35 (3,9x35 mm)	gab.	-	-	12,0	-	-	-	12,0	-	-	6,0	
Pašurbjošās skrūves Nida Cietā 45 (3,9x45 mm)	gab.	-	-	-	-	-	-	-	-	-	6,0	
Pašurbjošās skrūves Nida Cietā 55 (3,9x55 mm)	gab.	-	-	18,0	-	-	-	18,0	-	-	6,0	
Pašurbjošās skrūves Nida Cietā 70 (4,2x70 mm)	gab.	-	-	-	-	-	-	-	-	-	18,0	
Pašurbjošās skrūves Nida Hydro C4 3,5x25 mm	gab.	-	-	-	6,0	-	-	6,0	-	-	6,0	
Pašurbjošās skrūves Nida Hydro C4 3,5x41 mm	gab.	-	-	-	6,0	-	-	6,0	-	-	6,0	
Pašurbjošās skrūves Nida Hydro C4 3,5x55 mm	gab.	-	-	-	18,0	-	-	18,0	-	-	6,0	
Pašurbjošās skrūves Nida Hydro C4 4,2x70 mm	gab.	-	-	-	-	-	-	-	-	-	18,0	
Līmīente šuvēm Nida	tek.m	1,4	1,4	1,4	1,4	1,4	1,4	1,4	1,4	1,4	1,4	
Ģipša špaktele Nida Start	kg	0,9	0,9	-	-	0,9	-	-	1,2	-	-	
Ģipša špaktele Nida Finisz	kg	0,1	0,1	-	-	0,1	-	-	0,1	-	-	
Gatavā špaktelmasa Nida Hydromix ⁴⁾	kg	-	-	1,0	1,0	-	1,0	1,0	-	1,3	1,3	

³⁾ Enkurošanas elementu tips un skaits jāizvēlas saskaņā ar shēmu, kas iekļauta ITB tehniskajā atzinumā Pašnesošie griesti: ITB 1060/12/R33NK.⁴⁾ Izmantojot ģipša šķiedru plāksnes Nida Cietā, kā alternatīvu varat izmantot arī Nida Planfix Fresh ģipša špakteļi.

Patēriņa standartos nav ņemti vērā materiālie zaudējumi.

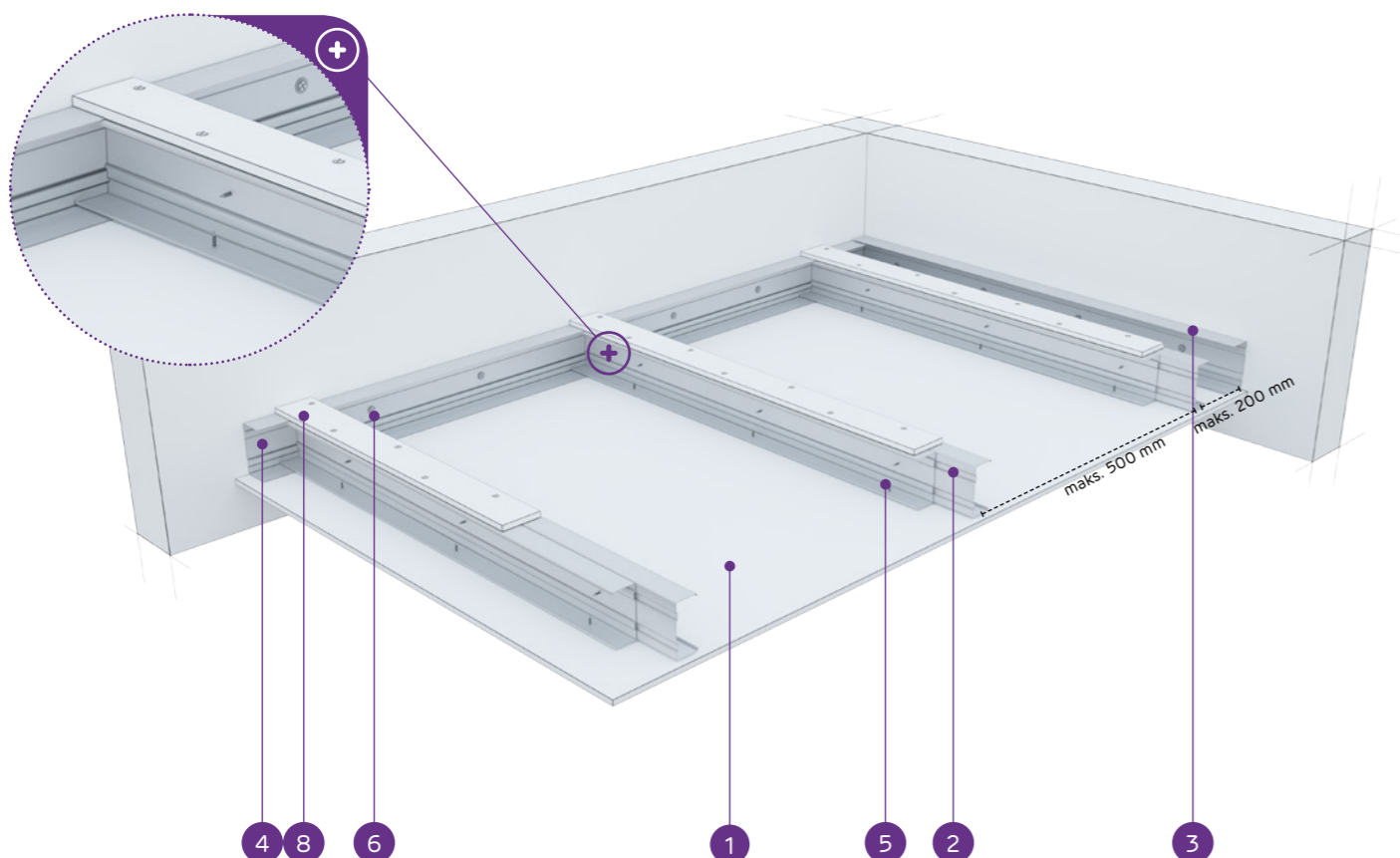


nida Griesti

Ugunsizturības
klase:
(R)EI15
(R)EI30Maksimālais
apdares
platums:
3650 mmMinimālais
piekāršanas
augstums:
60 mmBūves svars
1m²:
14,0-24,0 kgSaistītā
dokumenta
numurs:
EN13964:2004+A1Eksploatacijas īpašību deklarācija:
DoP/Ceiling System/0048/15.11.2016

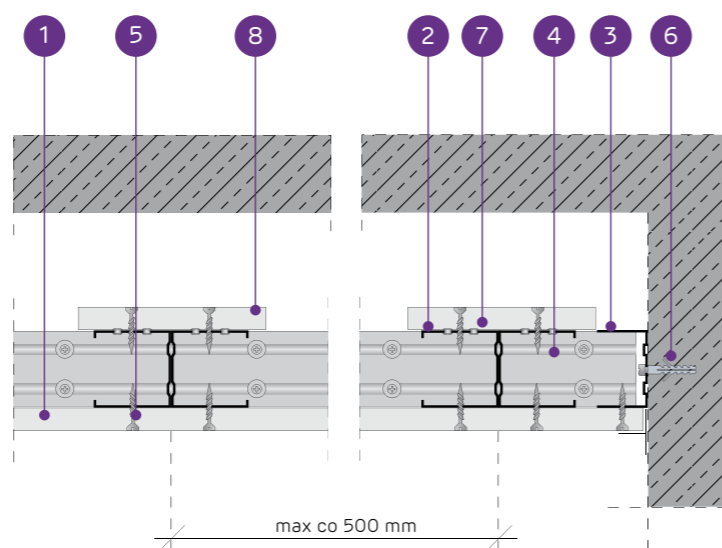
SISTĒMAS:

CC50/U50/PD/500-12,5; CC50/U50/PD/500-15; CC50/U50/PD/500-18



MATERIĀLI:

- Ģipškartona plāksnes Nida
- Dubultais nesošais profils Nida C 50
- Konstrukcijas profils Nida U 50
- Nesošais profils Nida U 50
- Pašurbjošā skrūve Nida 3,5 x 25 mm
- Tērauda enkurošanas elements ar Tērauda paplāksni
- Kniede
- Pastiprinošā josla no 12,5 mm Nida ģipškartona plāksnes

PAŠNESOŠO GRIESTU SISTĒMA AR DUBULTO NIDA C50
KONSTRUKCIJU AR PASTIPRINOŠO JOSLU

TEHNISKIE PARAMETRI

Sistēmas tips Nida Griesti	Režģa konstrukcija				Ģipša plākšņu apšuvums		Minimālais piekāršanas augstums	Būves svars 1 m ²	Ugunsizturības klase ¹⁾	Maksimālais griestu apdares platums ²⁾	Īpašā sistēma	
	Nida nesošā profila tips	Nida nesošā perimetra profila tips	Nida konstrukcijas perimetra profila tips	Maksimālais Nida C50 nesošo profilu atstatums	[mm]	Nida						Biezums
CC50/U50/PD/500-12,5/Expert	2xC50	U50	U50	500	Expert	12,5	72,5	14,0	-	3650	-	
CC50/U50/PD/500-12,5/Ūdens ³⁾	2xC50	U50	U50	500	Ūdens	12,5	72,5	15,0	-	3650	-	
CC50/U50/PD/500-12,5/Uguns+	2xC50	U50	U50	500	Uguns Pluss	12,5	72,5	17,0	(R)EI15	3160	-	
CC50/U50/PD/500-12,5/ŪdensUguns+	2xC50	U50	U50	500	Ūdens Uguns Pluss	12,5	72,5	17,0	(R)EI15	3160	-	
CC50/U50/PD/500-12,5/Cietā	2xC50	U50	U50	500	Cietā	12,5	72,5	20,0	(R)EI15	3160	●	
CC50/U50/PD/500-12,5/Hydro	2xC50	U50	U50	500	Hydro	12,5	72,5	18,0	(R)EI15	3160	●	
CC50/U50/PD/500-15/Uguns+	2xC50	U50	U50	500	Uguns Pluss	15,0	75	21,0	(R)EI15	2830	-	
CC50/U50/PD/500-15/Cietā	2xC50	U50	U50	500	Cietā	15,0	75	24,0	(R)EI15	2830	●	
CC50/U50/PD/500-15/Hydro	2xC50	U50	U50	500	Hydro	15,0	75	21,0	(R)EI15	2830	●	
CC50/U50/PD/500-18/Uguns+	2xC50	U50	U50	500	Uguns Pluss	18,0	78	22,0	(R)EI30	2830	-	

¹⁾ Ugunsdrošības klasifikācija LBO-458-K17.²⁾ Tehniskais atzinums ITB 1060/12/R33NK.³⁾ Telpās ar relatīvo gaisa mitrumu līdz 85 % stūra sekcijās pret intensīvu ūdens iedarbību ieteicams izmantot Nida Hydro ģipša šķiedru plāksnes (horizontālām un vertikālām virsmām vannas, dušas utt. zonās).MATERIĀLU PATĒRIŅŠ UZ 1 M² GRIESTU APBŪVES NIDA GRIESTI SISTĒMĀ

Materiāla nosaukums	Mērv.	Sistēmas tips Nida Griesti										
		CC50/U50/ PD/500- 12,5/Expert	CC50/ U50/ PD/500- 12,5/Ūdens	CC50/U50/ PD/500- 12,5/ Uguns+	CC50/U50/ PD/500-12,5/ ŪdensUguns+	CC50/ U50/ PD/500- 12,5/Cietā	CC50/ U50/ PD/500- 12,5/Hydro	CC50/ U50/ PD/500- 15/Uguns+	CC50/ U50/ PD/500- 15/Cietā	CC50/ U50/ PD/500- 15/Hydro	CC50/ U50/ PD/500- 18/ Uguns+	
		Materiāla patēriņš uz 1 m ²										
Plāksne Nida Expert 12,5 mm	m ²	1,3	-	-	-	-	-	-	-	-	-	
Plāksne Nida Ūdens 12,5 mm	m ²	-	1,3	-	-	-	-	-	-	-		
Plāksne Nida Uguns Pluss 12,5 mm	m ²	-	-	1,3	-	-	-	-	-	-		
Plāksne Nida Ūdens Uguns Pluss 12,5 mm	m ²	-	-	-	1,3	-	-	-	-	-		
Plāksne Nida Cietā 12,5 mm	m ²	-	-	-	-	1,3	-	-	-	-		
Plāksne Nida Hydro 12,5 mm	m ²	-	-	-	-	-	1,3	-	-	-		
Plāksne Nida Uguns Pluss 15,0 mm	m ²	-	-	-	-	-	-	1,3	-	-		
Plāksne Nida Cietā 15,0 mm	m ²	-	-	-	-	-	-	-	1,3	-		
Plāksne Nida Hydro 15,0 mm	m ²	-	-	-	-	-	-	-	-	1,3		
Plāksne Nida Uguns Pluss 18,0 mm	m ²	-	-	-	-	-	-	-	-	-	1,3	
Profils Nida C50	tek.m	4,4	4,4	4,4	4,4	4,4	4,4	4,4	4,4	4,4	4,4	
Profils Nida U50	tek.m	0,75	0,75	0,75	0,75	0,75	0,75	0,75	0,75	0,75	0,75	
Kniedes	gab.	5,6	5,6	5,6	5,6	5,6	5,6	5,6	5,6	5,6	5,6	
Tērauda enkurošanas elements (tips atbilstoši būves svaram) ⁴⁾	gab.	1,7	1,7	1,7	1,7	1,7	1,7	1,7	1,7	1,7	1,7	
Pašurbjošās skrūves Nida 3,5x9,5/11 mm	gab.	8,3	8,3	8,3	8,3	8,3	8,3	8,3	8,3	8,3	8,3	
Pašurbjošās skrūves Nida 3,5x25 mm	gab.	27,0	27,0	27,0	27,0	-	-	27,0	-	-	-	
Pašurbjošās skrūves Nida 3,5x35 mm	gab.	-	-	-	-	-	-	-	-	-	27,0	
Pašurbjošās skrūves Nida Cietā 35 (3,9x35 mm)	gab.	-	-	-	-	27,0	-	-	27,0	-	-	
Pašurbjošās skrūves Nida Hydro C4 3,5x25 mm	gab.	-	-	-	-	-	27,0	-	-	27,0	-	
Līmīente šuvēm Nida	tek.m	1,4	1,4	1,4	1,4	1,4	1,4	1,4	1,4	1,4	1,4	
Ģipša špaktele Nida Start	kg	0,3	0,3	0,3	0,3	-	-	0,3	-	-	0,3	
Ģipša špaktele Nida Finisz	kg	0,1	0,1	0,1	0,1	-	-	0,1	-	-	0,1	
Gatavā špaktele/masa Nida Hydromix ⁵⁾	kg	-	-	-	-	0,4	0,4	-	0,4	0,4	-	

⁴⁾ Enkurošanas elementu tips un skaits jāizvēlas saskaņā ar shēmu, kas iekļauta ITB tehniskajā atzinumā Pašnesošie griesti: ITB 1060/12/R33NK.⁵⁾ Izmantojot ģipša šķiedru plāksnes Nida Cietā, kā alternatīvu varat izmantot arī Nida Planfix Fresh ģipša špakteļi.

Patēriņa standartos nav ņemti vērā materiālie zaudējumi.

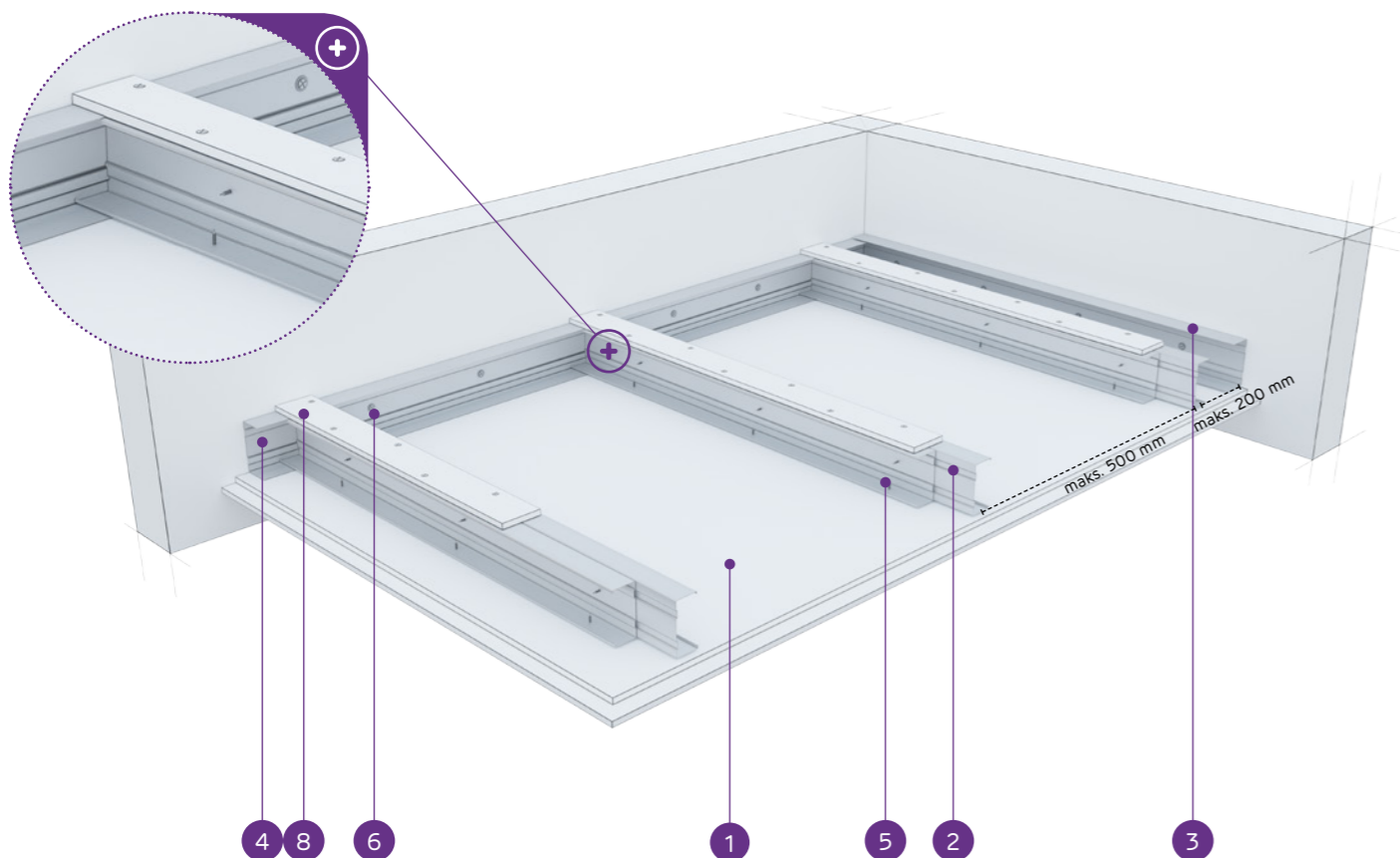


nida Griesti

Ugunsizturības
klase:
(R)EI45
(R)EI60Maksimālais
apdares
platums:
2280 mmMinimālais
piekāršanas
augstums:
60 mmBūves svars
1m²:
22,0-39,0 kgSaisītā
dokumenta
numurs:
EN13964:2004+A1Eksploatacijas īpašību deklarācija:
DoP/Ceiling System/0048/15.11.2016

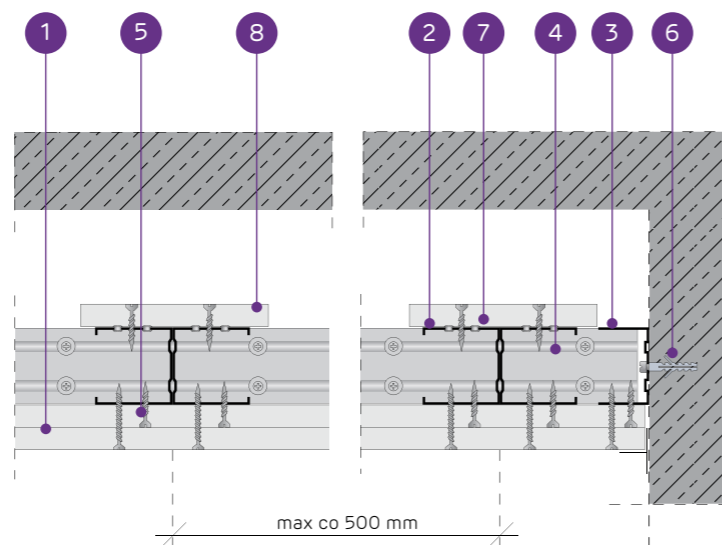
SISTĒMAS:

CC50/U50/PD/500-25; CC50/U50/PD/500-30



MATERIĀLI:

1. Ģipškartona plāksnes Nida
2. Dubultais nesošais profils Nida C 50
3. Konstruktīvais profils Nida U 50
4. Nesošais profils Nida U 50
5. Pašurbjošā skrūve Nida 3,5 x 25 mm
6. Tērauda enkurošanas elements ar Tērauda paplāksni
7. Kniede
8. Pastiprinošā josla no 12,5 mm Nida ģipškartona plāksnes

PAŠNESOŠO GRIESTU SISTĒMA AR DUBULTO NIDA C50
KONSTRUKCIJU AR PASTIPRINOŠO JOSLU

TEHNISKIE PARAMETRI

Sistēmas tips Nida Griesti	Režģa konstrukcija				Ģipša plākšņu apšuvums		Minimālais piekāršanas augstums	Būves svars 1 m ²	Ugunsizturības klase ¹⁾	Maksimālais griestu apdares plātums ²⁾	Īpaša sistē- ma
	Nida nesošā profila tips	Nida nesošā perimetra profila tips	Nida konstruk- cijas perimetra profila tips	Maksimālais Nida C50 nesošo profilu atstatums [mm]	Nida	Biezums					
CC50/U50/PD/500-25/Expert	2xC50	U50	U50	500	Expert	2x12,5	85	22,0	-	2880	-
CC50/U50/PD/500-25/Ūdens ³⁾	2xC50	U50	U50	500	Ūdens	2x12,5	85	24,0	-	2880	-
CC50/U50/PD/500-25/Uguns+	2xC50	U50	U50	500	Uguns Plus	2x12,5	85	27,0	(R)EI45	2630	-
CC50/U50/PD/500-25/ŪdensUguns+	2xC50	U50	U50	500	Ūdens Uguns Plus	2x12,5	85	27,0	(R)EI45	2630	-
CC50/U50/PD/500-25/Cietā	2xC50	U50	U50	500	Cietā	2x12,5	85	33,0	(R)EI45	2430	●
CC50/U50/PD/500-25/Hydro	2xC50	U50	U50	500	Hydro	2x12,5	85	29,0	(R)EI45	2630	●
CC50/U50/PD/500-30/Uguns+	2xC50	U50	U50	500	Uguns Plus	2x15,0	90	35,0	(R)EI60	2430	-
CC50/U50/PD/500-30/Cietā	2xC50	U50	U50	500	Cietā	2x15,0	90	39,0	(R)EI60	2280	●
CC50/U50/PD/500-30/Hydro	2xC50	U50	U50	500	Hydro	2x15,0	90	35,0	(R)EI60	2430	●

¹⁾ Ugunsdrošības klasifikācija LBO-458-K/17.²⁾ Tehniskais atzinums ITB 1060/12/R33NK.³⁾ Telpās ar relatīvo gaisa mitrumu līdz 85% stūra sekcijās pret intensīvu ūdens iedarbību ieteicams izmantot Nida Hydro ģipša šķiedru plāksnes (horizontālām un vertikālām virsmām vannas, dušas utt. zonās).MATERIĀLU PATĒRIŅŠ UZ 1 M² GRIESTU APBŪVES NIDA GRIESTI SISTĒMĀ

Materiāla nosaukums	Mērv.	Sistēmas tips Nida Griesti									
		CC50/U50/ PD/500-25/ Expert	CC50/U50/ PD/500-25/ Ūdens	CC50/ U50/ PD/500- 25/Uguns+	CC50/U50/ PD/500-25/ ŪdensUguns+	CC50/U50/ PD/500-25/ Cietā	CC50/U50/ PD/500-25/ Hydro	CC50/U50/ PD/500-30/ Uguns+	CC50/U50/ PD/500-30/ Cietā	CC50/ U50/ PD/500- 30/Hydro	
Materiālu patēriņš uz 1 m ²											
Plāksne Nida Expert 12,5 mm	m ²	2,3	-	-	-	-	-	-	-	-	-
Plāksne Nida Ūdens 12,5 mm	m ²	-	2,3	-	-	-	-	-	-	-	-
Plāksne Nida Uguns Plus 12,5 mm	m ²	-	-	2,3	-	-	-	-	-	-	-
Plāksne Nida Ūdens Uguns Plus 12,5 mm	m ²	-	-	-	2,3	-	-	-	-	-	-
Plāksne Nida Cietā 12,5 mm	m ²	-	-	-	-	2,3	-	-	-	-	-
Plāksne Nida Hydro 12,5 mm	m ²	-	-	-	-	-	2,3	-	-	-	-
Plāksne Nida Uguns Plus 15,0 mm	m ²	-	-	-	-	-	-	2,3	-	-	-
Plāksne Nida Cietā 15,0 mm	m ²	-	-	-	-	-	-	-	2,3	-	-
Plāksne Nida Hydro 15,0 mm	m ²	-	-	-	-	-	-	-	-	2,3	-
Profils Nida C50	tek.m	4,4	4,4	4,4	4,4	4,4	4,4	4,4	4,4	4,4	4,4
Profils Nida U50	tek.m	0,75	0,75	0,75	0,75	0,75	0,75	0,75	0,75	0,75	0,75
Kniedes	gab.	5,6	5,6	5,6	5,6	5,6	5,6	5,6	5,6	5,6	5,6
Tērauda enkurošanas elements (tips atbilstoši būves svaram) ⁴⁾	gab.	1,7	1,7	1,7	1,7	1,7	1,7	1,7	1,7	1,7	1,7
Pašurbjošās skrūves Nida 3,5x9,5/11 mm	gab.	8,3	8,3	8,3	8,3	8,3	8,3	8,3	8,3	8,3	8,3
Pašurbjošās skrūves Nida 3,5x25 mm	gab.	15,0	15,0	15,0	15,0	-	-	15,0	-	-	-
Pašurbjošās skrūves Nida 3,5x35 mm	gab.	18,0	18,0	18,0	18,0	-	-	-	-	-	-
Pašurbjošās skrūves Nida 3,5x45 mm	gab.	-	-	-	-	-	-	18,0	-	-	-
Pašurbjošās skrūves Nida Cietā 35 (3,9x35 mm)	gab.	-	-	-	-	33,0	-	-	15,0	-	-
Pašurbjošās skrūves Nida Cietā 45 (3,9x45 mm)	gab.	-	-	-	-	-	-	-	18,0	-	-
Pašurbjošās skrūves Nida Hydro C4 3,5x25 mm	gab.	-	-	-	-	-	15,0	-	-	15,0	-
Pašurbjošās skrūves Nida Hydro C4 3,5x41 mm	gab.	-	-	-	-	-	18,0	-	-	18,0	-
Limlente šuvēm Nida	tek.m	1,4	1,4	1,4	1,4	1,4	1,4	1,4	1,4	1,4	1,4
Ģipša špaktele Nida Start	kg	0,6	0,6	0,6	0,6	-	-	0,6	-	-	-
Ģipša špaktele Nida Finisz	kg	0,1	0,1	0,1	0,1	-	-	0,1	-	-	-
Gatavā špaktelmasa Nida Hydromix ⁵⁾	kg	-	-	-	-	0,7	0,7	-	0,7	0,7	0,7

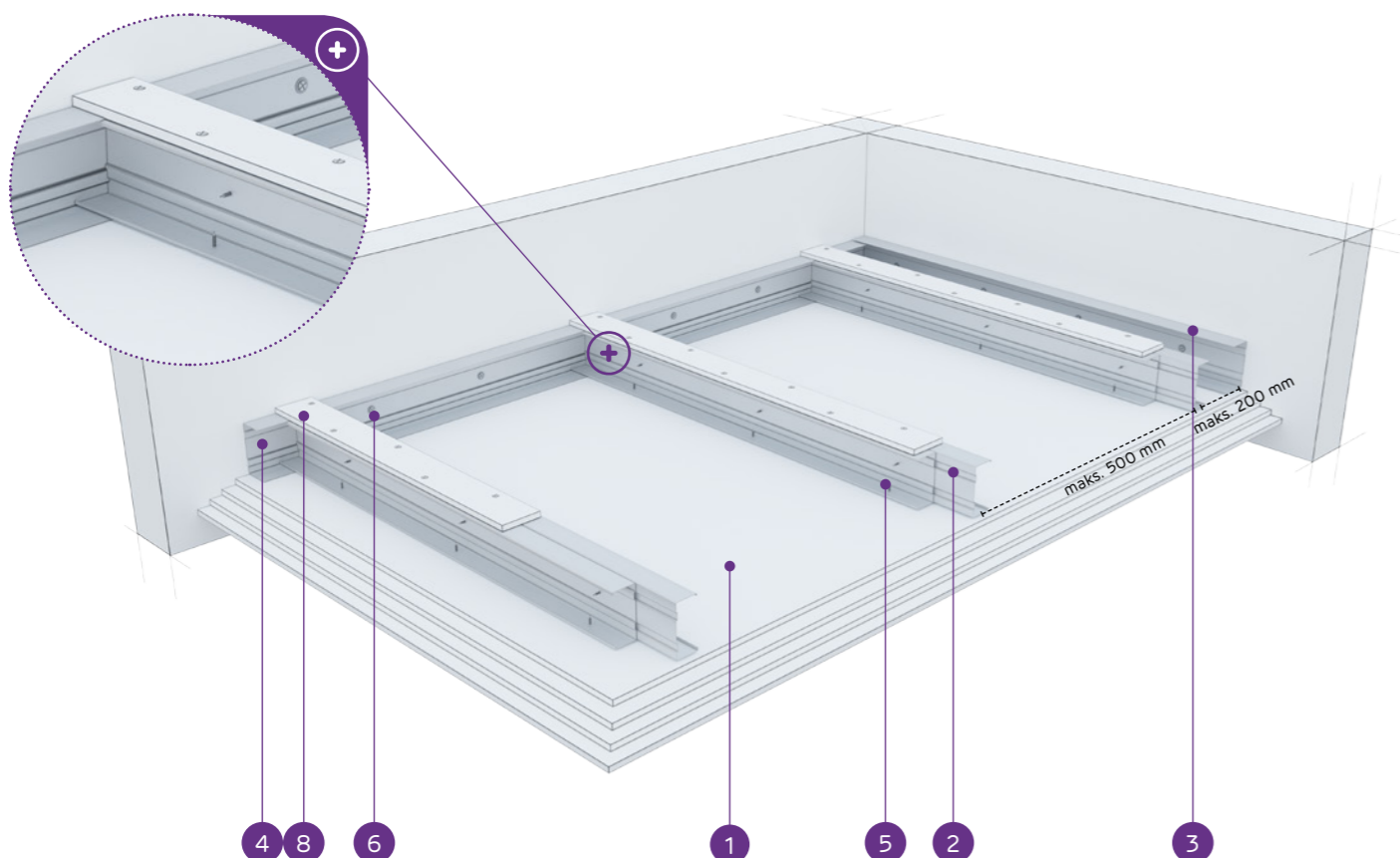
⁴⁾ Enkurošanas elementu tips un skaits jāizvēlas saskaņā ar shēmu, kas iekļauta ITB tehniskajā atzinumā Pašnesošie griesti: ITB 1060/12/R33NK.⁵⁾ Izmantojot ģipša šķiedru plāksnes Nida Cietā, kā alternatīvu varat izmantot arī Nida Planfix Fresh ģipša špakteļi. Patēriņa standartos nav ņemti vērā materiālie zaudējumi.

nida Griesti

Ugunsizturības
klase:
(R)EI60
(R)EI90Maksimālais
apdares
platums:
2280 mmMinimālais
piekāršanas
augstums:
60 mmBūves svars
1m²:
37,0-71,0 kgSaisītā
dokumenta
numurs:
EN13964:2004+A1Eksploatacijas īpašību deklarācija:
DoP/Ceiling System/0048/15.11.2016

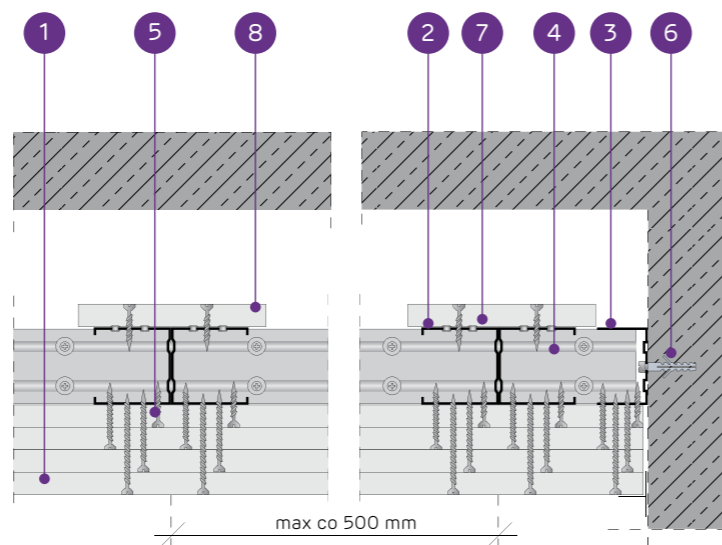
SISTĒMAS:

CC50/U50/PD/500-37,5; CC50/U50/PD/500-40; CC50/U50/PD/500-60



MATERIĀLI:

- Ģipškartona plāksnes Nida
- Dubultais nesošais profils Nida C 50
- Konstrukcijas profils Nida U 50
- Nesošais profils Nida U 50
- Pašurbjošā skrūve Nida 3,5 x 25 mm
- Tērauda enkurošanas elements ar Tērauda paplāksni
- Kniede
- Pastiprinošā josla no 12,5 mm Nida ģipškartona plāksnes

PAŠNESOŠO GRIESTU SISTĒMA AR DUBULTO NIDA C50
KONSTRUKCIJU AR PASTIPRINOŠO JOSLU

TEHNISKIE PARAMETRI

Sistēmas tips Nida Griesti	Režģa konstrukcija				Ģipša plāksņu apšuvums		Minimālais piekāršanas augstums	Būves svars 1 m ²	Ugunsizturības klase ¹⁾	Maksimālais griestu apdares platums ²⁾	Īpašā sistē- ma
	Nida nesošā profila tips	Nida nesošā perimetra profila tips	Nida konstruk- cijas perimetra profila tips	Maksimālais Nida C50 nesošo profilu atstatums	Nida	Biezums					
			[mm]			[mm]	kg	[min.]	[mm]		
CC50/U50/PD/500-37,5/Uguns+	2xC50	U50	U50	500	Uguns Pluss	3x12,5	97,5	37,0	(R)EI60	2280	-
CC50/U50/PD/500-37,5/ŪdensUguns+	2xC50	U50	U50	500	Ūdens Uguns Pluss	3x12,5	97,5	37,0	(R)EI60	2280	-
CC50/U50/PD/500-37,5/Cietā	2xC50	U50	U50	500	Cietā	3x12,5	97,5	46,0	(R)EI60	2040	●
CC50/U50/PD/500-37,5/Hydro	2xC50	U50	U50	500	Hydro	3x12,5	97,5	40,0	(R)EI60	2280	●
CC50/U50/PD/500-40/Uguns+	2xC50	U50	U50	500	Uguns Pluss	2x12,5+15,0	100	41,0	(R)EI90	2150	-
CC50/U50/PD/500-40/Cietā	2xC50	U50	U50	500	Cietā	2x12,5+15,0	100	49,0	(R)EI90	2040	●
CC50/U50/PD/500-40/Hydro	2xC50	U50	U50	500	Hydro	2x12,5+15,0	100	42,0	(R)EI90	2150	●
CC50/U50/PD/500-60/Uguns+	2xC50	U50	U50	500	Uguns Pluss	4x15,0	120	62,0	(R)EI120	1790	-
CC50/U50/PD/500-60/Cietā	2xC50	U50	U50	500	Cietā	4x15,0	120	71,0	(R)EI120	1660	●
CC50/U50/PD/500-60/Hydro	2xC50	U50	U50	500	Hydro	4x15,0	120	62,0	(R)EI120	1790	●

¹⁾ Ugunsdrošības klasifikācija LBO-458-K/17.²⁾ Tehniskais atzinums ITB 1060/12/R33NK.MATERIĀLU PATĒRĪŅŠ UZ 1 M² GRIESTU APBŪVES NIDA GRIESTI SISTĒMĀ

Materiāla nosaukums	Mērv.	Sistēmas tips Nida Griesti										
		CC50/ U50/ PD/500- 37,5/ Uguns+	CC50/U50/ PD/500-37,5/ ŪdensUguns+	CC50/ U50/ PD/500- 37,5/Cietā	CC50/U50/ PD/500- 37,5/Hydro	CC50/ U50/ PD/500- 40/ Uguns+	CC50/ U50/ PD/500- 40/Cietā	CC50/ U50/ PD/500- 40/Hydro	CC50/ U50/ PD/500- 60/ Uguns+	CC50/ U50/ PD/500- 60/Cietā	CC50/ U50/ PD/500- 60/Hydro	
Materiāla patēriņš uz 1 m ²												
Plāksne Nida Uguns Pluss 12,5 mm	m ²	3,3	-	-	-	2,3	-	-	-	-	-	
Plāksne Nida Ūdens Uguns Pluss 12,5 mm	m ²	-	3,3	-	-	-	-	-	-	-	-	
Plāksne Nida Cietā 12,5 mm	m ²	-	-	3,3	-	-	2,3	-	-	-	-	
Plāksne Nida Hydro 12,5 mm	m ²	-	-	-	3,3	-	-	2,3	-	-	-	
Plāksne Nida Uguns Pluss 15,0 mm	m ²	-	-	-	-	1,0	-	-	4,3	-	-	
Plāksne Nida Cietā 15,0 mm	m ²	-	-	-	-	-	1,0	-	-	4,3	-	
Plāksne Nida Hydro 15,0 mm	m ²	-	-	-	-	-	-	1,0	-	-	4,3	
Profils Nida C50	tek.m	4,4	4,4	4,4	4,4	4,4	4,4	4,4	4,4	4,4	4,4	
Profils Nida U50	tek.m	0,75	0,75	0,75	0,75	0,75	0,75	0,75	0,75	0,75	0,75	
Kniedes	gab.	5,6	5,6	5,6	5,6	5,6	5,6	5,6	5,6	5,6	5,6	
Tērauda enkurošanas elements (tips atbilstoši būves svaram) ³⁾	gab.	1,7	1,7	1,7	1,7	1,7	1,7	1,7	1,7	1,7	1,7	
Pašurbjošās skrūves Nida 3,5x9,5/11 mm	gab.	8,3	8,3	8,3	8,3	8,3	8,3	8,3	8,3	8,3	8,3	
Pašurbjošās skrūves Nida 3,5x25 mm	gab.	15,0	15,0	-	-	15,0	-	-	15,0	-	-	
Pašurbjošās skrūves Nida 3,5x35 mm	gab.	6,0	6,0	-	-	6,0	-	-	-	-	-	
Pašurbjošās skrūves Nida 3,5x45 mm	gab.	-	-	-	-	-	-	-	6,0	-	-	
Pašurbjošās skrūves Nida 3,5x55 mm	gab.	18,0	18,0	-	-	18,0	-	-	6,0	-	-	
Pašurbjošās skrūves Nida 4,2x70 mm	gab.	-	-	-	-	-	-	-	18,0	-	-	
Pašurbjošās skrūves Nida Cietā 35 (3,9x35 mm)	gab.	-	-	21,0	-	-	21,0	-	-	15,0	-	
Pašurbjošās skrūves Nida Cietā 45 (3,9x45 mm)	gab.	-	-	-	-	-	-	-	-	6,0	-	
Pašurbjošās skrūves Nida Cietā 55 (3,9x55 mm)	gab.	-	-	18,0	-	-	18,0	-	-	6,0	-	
Pašurbjošās skrūves Nida Cietā 70 (4,2x70 mm)	gab.	-	-	-	-	-	-	-	-	18,0	-	
Pašurbjošās skrūves Nida Hydro C4 3,5x25 mm	gab.	-	-	-	15,0	-	-	15,0	-	-	15,0	
Pašurbjošās skrūves Nida Hydro C4 3,5x41 mm	gab.	-	-	-	6,0	-	-	6,0	-	-	6,0	
Pašurbjošās skrūves Nida Hydro C4 3,5x55 mm	gab.	-	-	-	18,0	-	-	18,0	-	-	6,0	
Pašurbjošās skrūves Nida Hydro C4 4,2x70 mm	gab.	-	-	-	-	-	-	-	-	-	18,0	
Līm lente šuvēm Nida	tek.m	1,4	1,4	1,4	1,4	1,4	1,4	1,4	1,4	1,4	1,4	
Ģipša špaktele Nida Start	kg	0,9	0,9	-	-	0,9	-	-	1,2	-	-	
Ģipša špaktele Nida Finisz	kg	0,1	0,1	-	-	0,1	-	-	0,1	-	-	
Gatavā špaktele/masa Nida Hydromix ⁴⁾	kg	-	-	1,0	1,0	-	1,0	1,0	-	1,3	1,3	

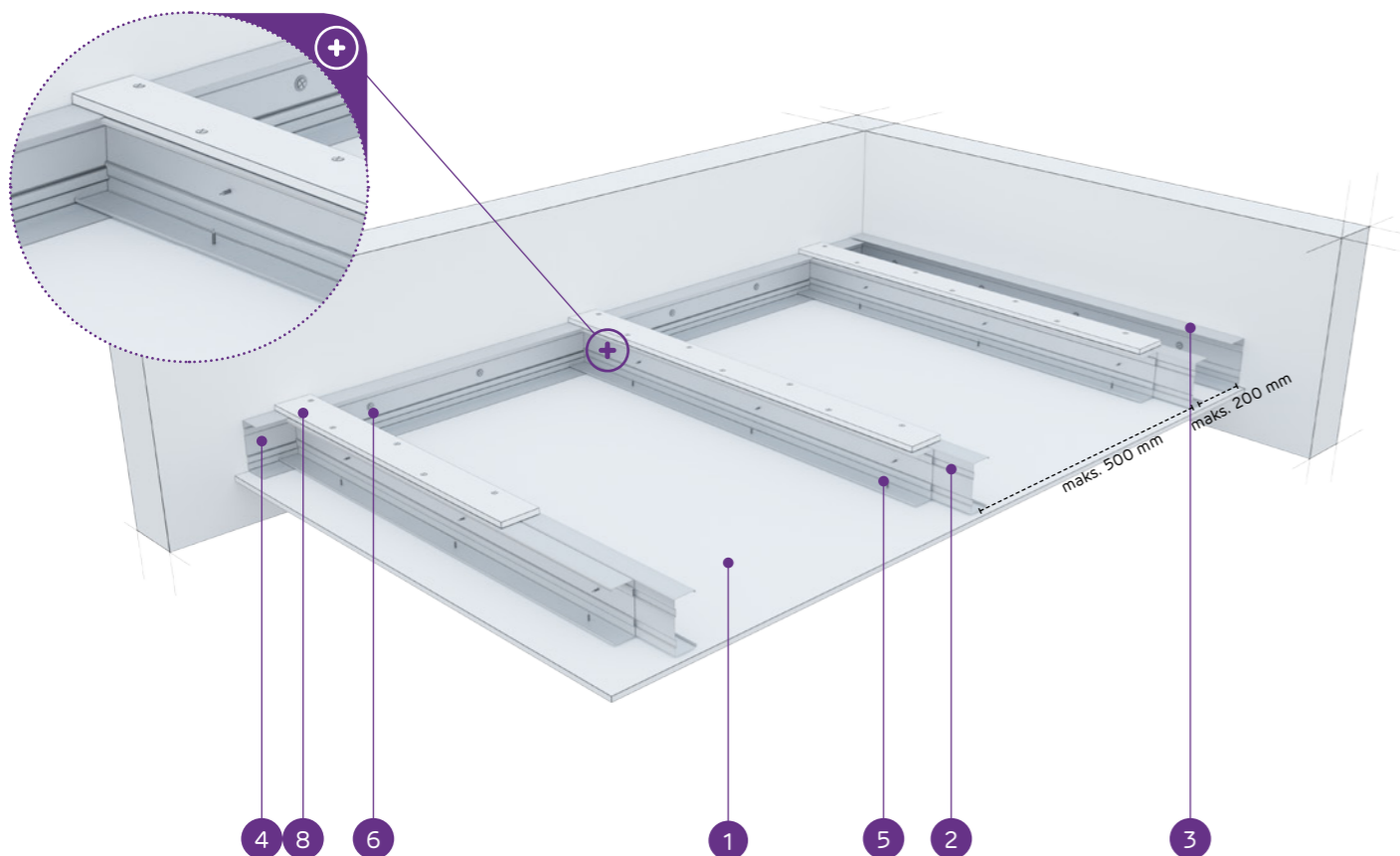
³⁾ Enkurošanas elementu tips un skaits jāizvēlas saskaņā ar shēmu, kas iekļauta ITB tehniskajā atzinumā Pašnesošie griesti: ITB 1060/12/R33NK.⁴⁾ Izmantojot ģipša šķiedru plāksnes Nida Cietā, kā alternatīvu varat izmantot arī Nida Planfix Fresh ģipša špakteļi. Patēriņa standartos nav ņemti vērā materiālie zaudējumi.

nida Griesti

Ugunsizturības
klase:
(R)EI15
(R)EI30Maksimālais
apdares
platums:
4340 mmMinimālais
piekāršanas
augstums:
85 mmBūves svars
1m²:
15,0-24,0 kgSaisītā
dokumenta
numurs:
EN13964:2004+A1Eksploatacijas īpašību deklarācija:
DoP/Ceiling System/0050/15.11.2016

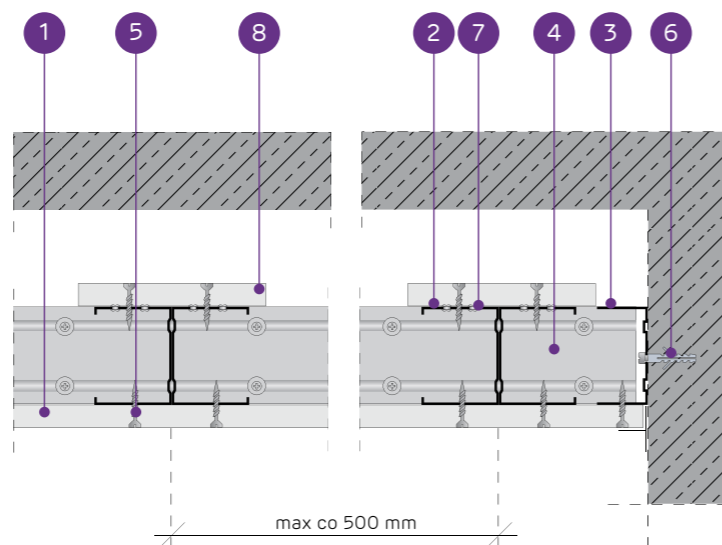
SISTĒMAS:

CC75/U75/PD/500-12,5; CC75/U75/PD/500-15; CC75/U75/PD/500-18



MATERIĀLI:

- Ģipškartona plāksnes Nida
- Dubultais nesošais profils Nida C 75
- Konstrukcijas profils Nida U 75
- Nesošais profils Nida U 75
- Pašurbjošā skrūve Nida 3,5 x 25 mm
- Tērauda enkurošanas elements ar Tērauda paplāksni
- Kniede
- Pastiprinošā josla no 12,5 mm Nida ģipškartona plāksnes



PAŠNESOŠO GRIESTU SISTĒMA AR DUBULTO NIDA C75 NESOŠO KONSTRUKCIJU AR PASTIPRINOŠO JOSLU

TEHNISKIE PARAMETRI

Sistēmas tips Nida Griesti	Režģa konstrukcija				Ģipša plākšņu apšuvums		Minimālais piekāršanas augstums	Būves svars 1 m ²	Ugunsizturības klase ¹⁾	Maksimālais griestu apdares platums ²⁾	Ipašā sis- tēma
	Nida nesošā profila tips	Nida nesošā perimetra profila tips	Nida konstruk- cijas perimetra profila tips	Maksimālais Nida C75 nesošo profilu atstatums	Nida	Biezums					
			[mm]			[mm]	kg	[min.]	[mm]		
CC75/U75/PD/500-12,5/Expert	2xC75	U75	U75	500	Expert	12,5	97,5	15,0	-	4340	-
CC75/U75/PD/500-12,5/Ūdens ³⁾	2xC75	U75	U75	500	Ūdens	12,5	97,5	15,0	-	4340	-
CC75/U75/PD/500-12,5/Uguns+	2xC75	U75	U75	500	Uguns Pluss	12,5	97,5	17,0	(R)EI15	3760	-
CC75/U75/PD/500-12,5/ŪdensUguns+	2xC75	U75	U75	500	Ūdens Uguns Pluss	12,5	97,5	17,0	(R)EI15	3760	-
CC75/U75/PD/500-12,5/Cietā	2xC75	U75	U75	500	Cietā	12,5	97,5	21,0	(R)EI15	3360	●
CC75/U75/PD/500-12,5/Hydro	2xC75	U75	U75	500	Hydro	12,5	97,5	18,0	(R)EI15	3760	●
CC75/U75/PD/500-15/Uguns+	2xC75	U75	U75	500	Uguns Pluss	15,0	100	22,0	(R)EI15	3360	-
CC75/U75/PD/500-15/Cietā	2xC75	U75	U75	500	Cietā	15,0	100	24,0	(R)EI15	3360	●
CC75/U75/PD/500-15/Hydro	2xC75	U75	U75	500	Hydro	15,0	100	22,0	(R)EI15	3360	●
CC75/U75/PD/500-18/Uguns+	2xC75	U75	U75	500	Uguns Pluss	18,0	103	23,0	(R)EI30	3360	-

¹⁾ Ugunsdrošības klasifikācija LBO-458-K/17.²⁾ Tehniskais atzinums ITB 1060/12/R33NK.³⁾ Telpās ar relatīvo gaisa mitrumu līdz 85 % stūra sekcijās pret intensīvu ūdens iedarbību ieteicams izmantot Nida Hydro ģipša šķiedru plāksnes (horizontālām un vertikālām virsmām vannas, dušas utt. zonās).MATERIĀLU PATĒRIŅŠ UZ 1 M² GRIESTU APBŪVES NIDA GRIESTI SISTĒMĀ

Materiāla nosaukums	Mērv.	Sistēmas tips Nida Griesti									
		CC75/U75/ PD/500- 12,5/ Expert	CC75/U75/ PD/500- 12,5/Ūdens	CC75/ U75/ PD/500- 12,5/ Uguns+	CC75/U75/ PD/500-12,5/ ŪdensUguns+	CC75/U75/ PD/500- 12,5/Cietā	CC75/U75/ PD/500- 12,5/Hydro	CC75/U75/ PD/500- 15/Uguns+	CC75/U75/ PD/500- 15/Cietā	CC75/U75/ PD/500- 15/Hydro	CC75/U75/ PD/500- 18/ Uguns+
Materiāla patēriņš uz 1 m ²											
Plāksne Nida Expert 12,5 mm	m ²	1,3	-	-	-	-	-	-	-	-	-
Plāksne Nida Ūdens 12,5 mm	m ²	-	1,3	-	-	-	-	-	-	-	-
Plāksne Nida Uguns Pluss 12,5 mm	m ²	-	-	1,3	-	-	-	-	-	-	-
Plāksne Nida Ūdens Uguns Pluss 12,5 mm	m ²	-	-	-	1,3	-	-	-	-	-	-
Plāksne Nida Cietā 12,5 mm	m ²	-	-	-	-	1,3	-	-	-	-	-
Plāksne Nida Hydro 12,5 mm	m ²	-	-	-	-	-	1,3	-	-	-	-
Plāksne Nida Uguns Pluss 15,0 mm	m ²	-	-	-	-	-	-	1,3	-	-	-
Plāksne Nida Cietā 15,0 mm	m ²	-	-	-	-	-	-	-	1,3	-	-
Plāksne Nida Hydro 15,0 mm	m ²	-	-	-	-	-	-	-	-	1,3	-
Plāksne Nida Uguns Pluss 18,0 mm	m ²	-	-	-	-	-	-	-	-	-	1,3
Profils Nida C75	tek.m	4,4	4,4	4,4	4,4	4,4	4,4	4,4	4,4	4,4	4,4
Profils Nida U75	tek.m	0,75	0,75	0,75	0,75	0,75	0,75	0,75	0,75	0,75	0,75
Kniedes	gab.	5,6	5,6	5,6	5,6	5,6	5,6	5,6	5,6	5,6	5,6
Tērauda enkurošanas elements (tips atbilstoši būves svaram) ⁴⁾	gab.	1,7	1,7	1,7	1,7	1,7	1,7	1,7	1,7	1,7	1,7
Pašurbjošās skrūves Nida 3,5x9,5/11 mm	gab.	8,3	8,3	8,3	8,3	8,3	8,3	8,3	8,3	8,3	8,3
Pašurbjošās skrūves Nida 3,5x25 mm	gab.	27,0	27,0	27,0	27,0	-	-	27,0	-	-	-
Pašurbjošās skrūves Nida 3,5x35 mm	gab.	-	-	-	-	-	-	-	-	-	27,0
Pašurbjošās skrūves Nida Cietā 35 (3,9x35 mm)	gab.	-	-	-	-	27,0	-	-	27,0	-	-
Pašurbjošās skrūves Nida Hydro C4 3,5x25 mm	gab.	-	-	-	-	-	27,0	-	-	27,0	-
Līmīente šuvēm Nida	tek.m	1,4	1,4	1,4	1,4	1,4	1,4	1,4	1,4	1,4	1,4
Ģipša špaktele Nida Start	kg	0,3	0,3	0,3	0,3	-	-	0,3	-	-	0,3
Ģipša špaktele Nida Finisz	kg	0,1	0,1	0,1	0,1	-	-	0,1	-	-	0,1
Gatavā špaktelmasa Nida Hydromix ⁵⁾	kg	-	-	-	-	0,4	0,4	-	0,4	0,4	-

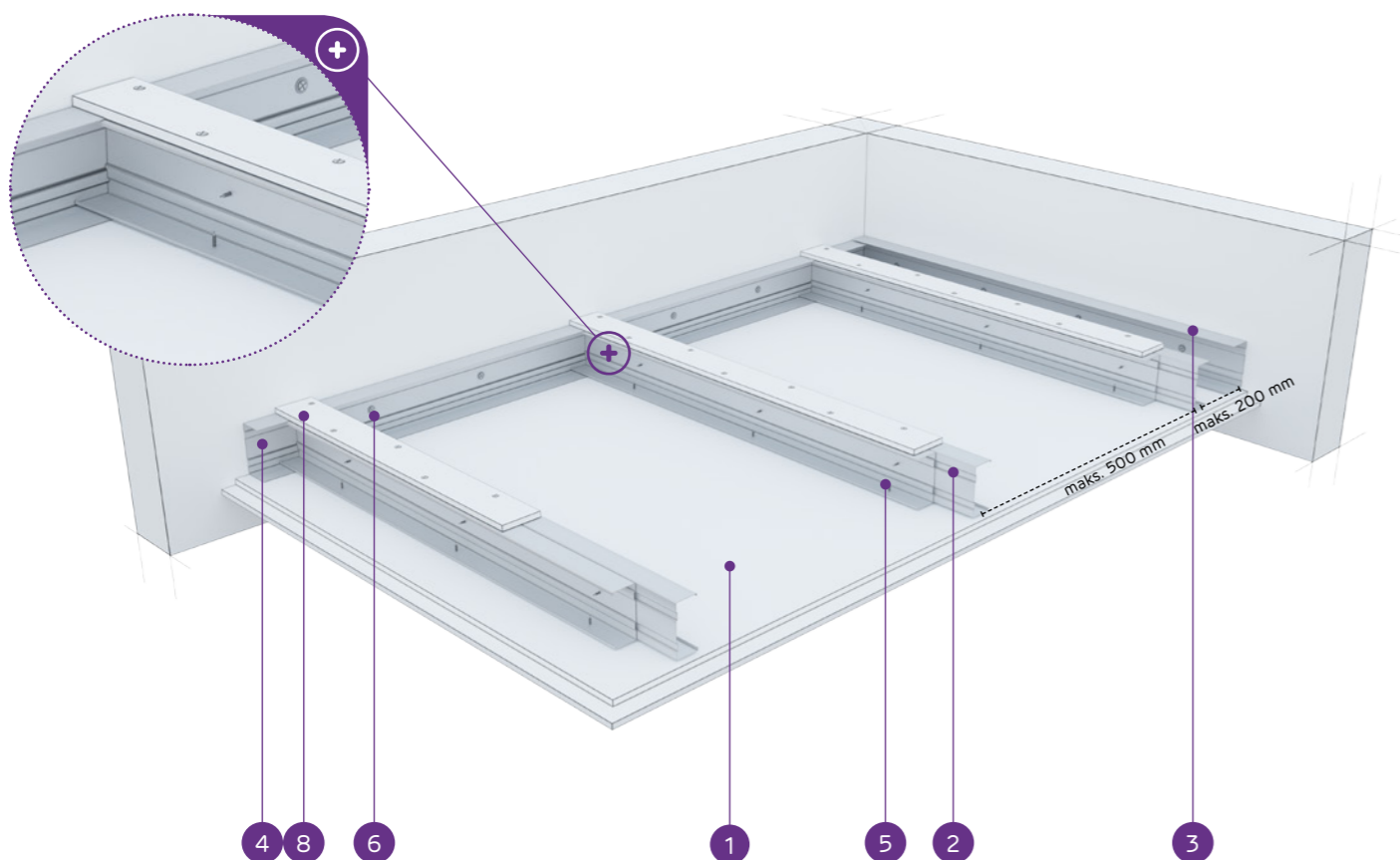
⁴⁾ Enkurošanas elementu tips un skaits jāizvēlas saskaņā ar shēmu, kas iekļauta ITB tehniskajā atzinumā Pašnesošie griesti: ITB 1060/12/R33NK.⁵⁾ Izmantojot ģipša šķiedru plāksnes Nida Cietā, kā alternatīvu varat izmantot arī Nida Planfix Fresh ģipša špakteļi. Patēriņa standartos nav ņemti vērā materiālie zaudējumi.

nida Griesti

Ugunsizturības
klase:
(R)EI45
(R)EI60Maksimālais
apdares
platums:
3370 mmMinimālais
piekāršanas
augstums:
85 mmBūves svars
1m²:
23,0-40,0 kgSaisītā
dokumenta
numurs:
EN13964:2004+A1Eksploatacijas īpašību deklarācija:
DoP/Ceiling System/0050/15.11.2016

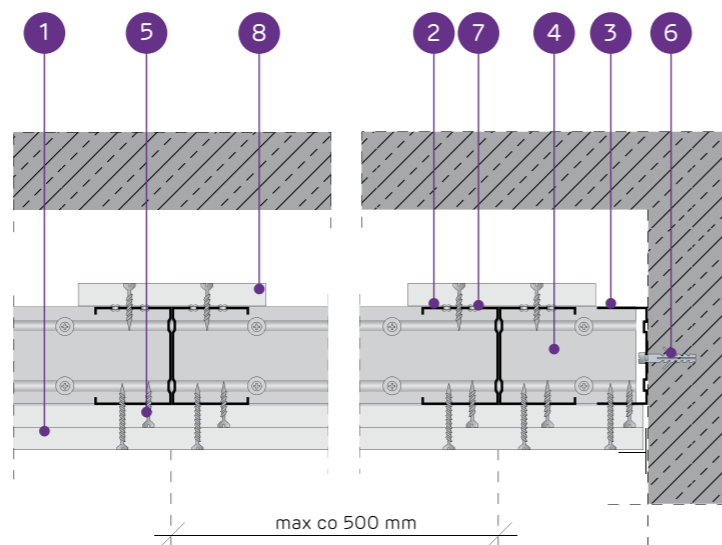
SISTĒMAS:

CC75/U75/PD/500-25; CC75/U75/PD/500-30



MATERIĀLI:

1. Ģipškartona plāksnes Nida
2. Dubultais nesošais profils Nida C 75
3. Konstruktīvais profils Nida U 75
4. Nesošais profils Nida U 75
5. Pašurbjošā skrūve Nida 3,5 x 25 mm
6. Tērauda enkurošanas elements ar Tērauda paplāksni
7. Kniede
8. Pastiprinošā josla no 12,5 mm Nida ģipškartona plāksnes

PAŠNESOŠO GRIESTU SISTĒMA AR DUBULTO NIDA C75 NESOŠO
KONSTRUKCIJU AR PASTIPRINOŠO JOSLU

TEHNISKIE PARAMETRI

Sistēmas tips Nida Griesti	Režģa konstrukcija				Ģipša plāksņu apšuvums		Minimālais piekāršanas augstums	Būves svars 1 m ²	Ugunsizturības klase ¹⁾	Maksimālais griestu apdares platums ²⁾	Īpašā sistē- ma
	Nida nesošā profila tips	Nida nesošā perimetra profila tips	Nida konstruk- cijas perimetra profila tips	Maksimālais Nida C75 nesošo profilu atstatums	Nida	Biezums					
CC75/U75/PD/500-25/Expert	2xC75	U75	U75	500	Expert	2x12,5	110	23,0	-	3370	-
CC75/U75/PD/500-25/Ūdens ³⁾	2xC75	U75	U75	500	Ūdens	2x12,5	110	24,0	-	3370	-
CC75/U75/PD/500-25/Uguns+	2xC75	U75	U75	500	Uguns Pluss	2x12,5	110	27,0	(R)EI45	3070	-
CC75/U75/PD/500-25/ŪdensUguns+	2xC75	U75	U75	500	Ūdens Uguns Pluss	2x12,5	110	27,0	(R)EI45	3070	-
CC75/U75/PD/500-25/Cietā	2xC75	U75	U75	500	Cietā	2x12,5	110	34,0	(R)EI45	2840	●
CC75/U75/PD/500-25/Hydro	2xC75	U75	U75	500	Hydro	2x12,5	110	29,0	(R)EI45	3070	●
CC75/U75/PD/500-30/Uguns+	2xC75	U75	U75	500	Uguns Pluss	2x15,0	115	35,0	(R)EI60	2840	-
CC75/U75/PD/500-30/Cietā	2xC75	U75	U75	500	Cietā	2x15,0	115	40,0	(R)EI60	2660	●
CC75/U75/PD/500-30/Hydro	2xC75	U75	U75	500	Hydro	2x15,0	115	35,0	(R)EI60	2840	●

¹⁾ Ugunsdrošības klasifikācija LBO-458-K/17.²⁾ Tehniskais atzinums ITB 1060/12/R33NK.³⁾ Telpās ar relatīvo gaisa mitrumu līdz 85% stūra sekcijās pret intensīvu ūdens iedarbību ieteicams izmantot Nida Hydro ģipša šķiedru plāksnes (horizontālām un vertikālām virsmām vannas, dušas utt. zonās).MATERIĀLU PATĒRIŅŠ UZ 1 M² GRIESTU APBŪVES NIDA GRIESTI SISTĒMĀ

Materiāla nosaukums	Mērv.	Sistēmas tips Nida Griesti								
		CC75/U75/ PD/500- 25/Expert	CC75/U75/ PD/500- 25/Ūdens	CC75/U75/ PD/500-25/ Uguns+	CC75/U75/ PD/500-25/ ŪdensUguns+	CC75/U75/ PD/500-25/ Cietā	CC75/U75/ PD/500-25/ Hydro	CC75/U75/ PD/500- 30/Uguns+	CC75/U75/ PD/500- 30/Cietā	CC75/U75/ PD/500-30/ Hydro
Materiāla patēriņš uz 1 m ²										
Plāksne Nida Expert 12,5 mm	m ²	2,3	-	-	-	-	-	-	-	-
Plāksne Nida Ūdens 12,5 mm	m ²	-	2,3	-	-	-	-	-	-	-
Plāksne Nida Uguns Pluss 12,5 mm	m ²	-	-	2,3	-	-	-	-	-	-
Plāksne Nida Ūdens Uguns Pluss 12,5 mm	m ²	-	-	-	2,3	-	-	-	-	-
Plāksne Nida Cietā 12,5 mm	m ²	-	-	-	-	2,3	-	-	-	-
Plāksne Nida Hydro 12,5 mm	m ²	-	-	-	-	-	2,3	-	-	-
Plāksne Nida Uguns Pluss 15,0 mm	m ²	-	-	-	-	-	-	2,3	-	-
Plāksne Nida Cietā 15,0 mm	m ²	-	-	-	-	-	-	-	2,3	-
Plāksne Nida Hydro 15,0 mm	m ²	-	-	-	-	-	-	-	-	2,3
Profils Nida C75	tek.m	4,4	4,4	4,4	4,4	4,4	4,4	4,4	4,4	4,4
Profils Nida U75	tek.m	0,75	0,75	0,75	0,75	0,75	0,75	0,75	0,75	0,75
Kniedes	gab.	5,6	5,6	5,6	5,6	5,6	5,6	5,6	5,6	5,6
Tērauda enkurošanas elements (tips atbilstoši būves svaram) ⁴⁾	gab.	1,7	1,7	1,7	1,7	1,7	1,7	1,7	1,7	1,7
Pašurbjošās skrūves Nida 3,5x9,5/11 mm	gab.	8,3	8,3	8,3	8,3	8,3	8,3	8,3	8,3	8,3
Pašurbjošās skrūves Nida 3,5x25 mm	gab.	15,0	15,0	15,0	15,0	-	-	15,0	-	-
Pašurbjošās skrūves Nida 3,5x35 mm	gab.	18,0	18,0	18,0	18,0	-	-	-	-	-
Pašurbjošās skrūves Nida 3,5x45 mm	gab.	-	-	-	-	-	-	18,0	-	-
Pašurbjošās skrūves Nida Cietā 35 (3,9x35 mm)	gab.	-	-	-	-	33,0	-	-	15,0	-
Pašurbjošās skrūves Nida Cietā 45 (3,9x45 mm)	gab.	-	-	-	-	-	-	-	18,0	-
Pašurbjošās skrūves Nida Hydro C4 3,5x25 mm	gab.	-	-	-	-	-	15,0	-	-	15,0
Pašurbjošās skrūves Nida Hydro C4 3,5x41 mm	gab.	-	-	-	-	-	18,0	-	-	18,0
Limlente šuvēm Nida	tek.m	1,4	1,4	1,4	1,4	1,4	1,4	1,4	1,4	1,4
Ģipša špaktele Nida Start	kg	0,6	0,6	0,6	0,6	-	-	0,6	-	-
Ģipša špaktele Nida Finisz	kg	0,1	0,1	0,1	0,1	-	-	0,1	-	-
Gatavā špaktelmasa Nida Hydromix ⁵⁾	kg	-	-	-	-	0,7	0,7	-	0,7	0,7

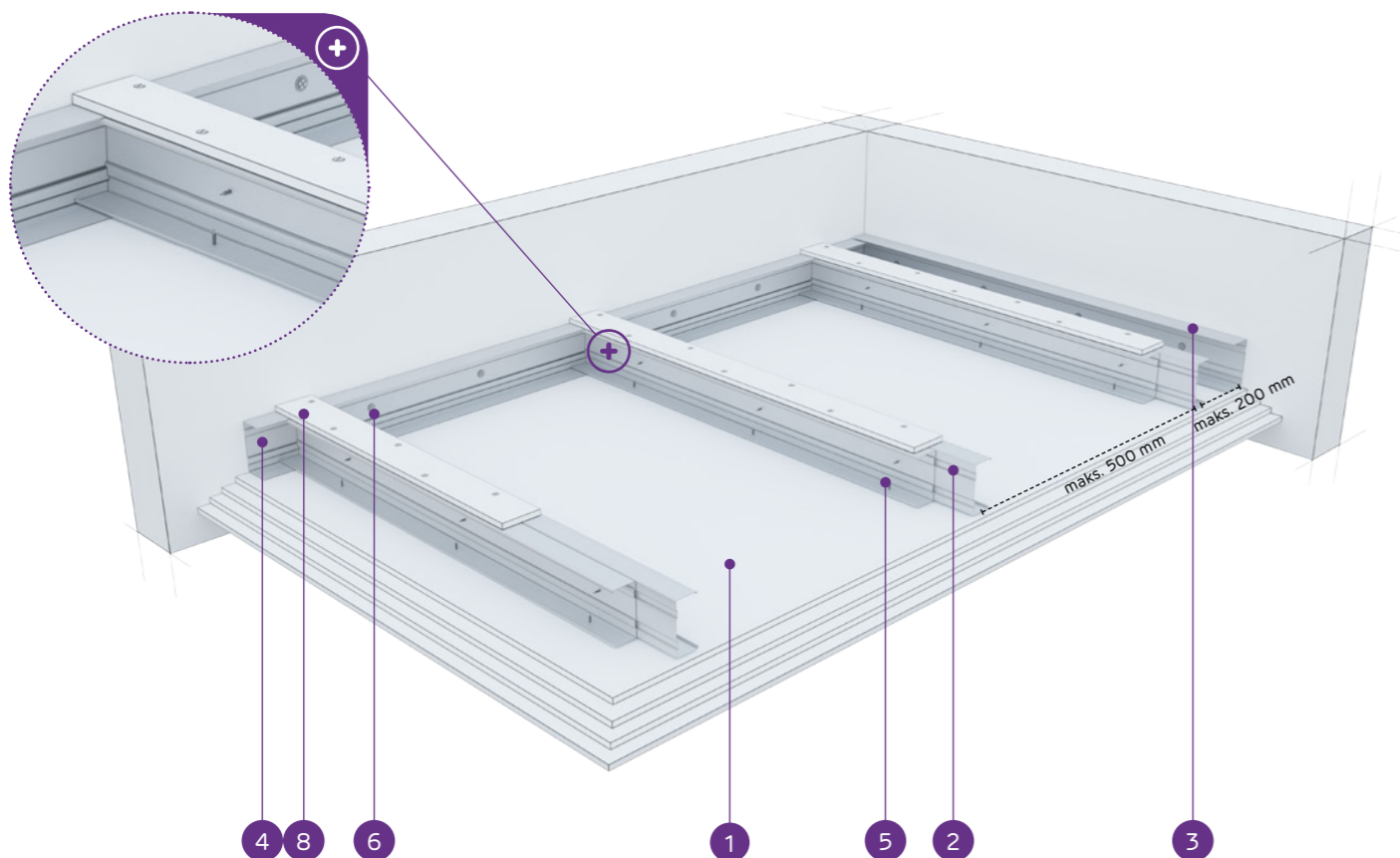
⁴⁾ Enkurošanas elementu tips un skaits jāizvēlas saskaņā ar shēmu, kas iekļauta ITB tehniskajā atzinumā Pašnesošie griesti: ITB 1060/12/R33NK.⁵⁾ Izmantojot ģipša šķiedru plāksnes Nida Cietā, kā alternatīvu varat izmantot arī Nida Planfix Fresh ģipša špakteļi. Patēriņa standartos nav ņemti vērā materiālie zaudējumi.

nida Griesti

Ugunsizturības
klase:
(R)EI60
(R)EI90Maksimālais
apdares
platums:
2660 mmMinimālais
piekāršanas
augstums:
85 mmBūves svars
1m²:
38,0-71,0 kgSaistītā
dokumenta
numurs:
EN13964:2004+A1Eksploatacijas īpašību deklarācija:
DoP/Ceiling System/0050/15.11.2016

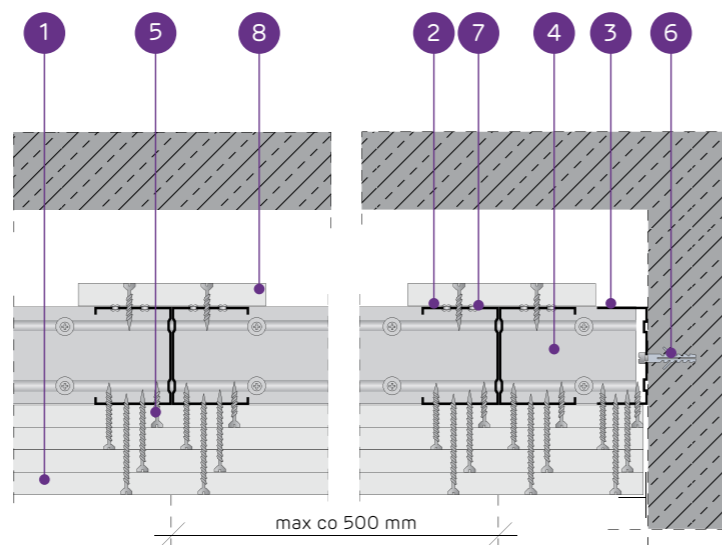
SISTĒMAS:

CC75/U75/PD/500-37,5; CC75/U75/PD/500-40; CC75/U75/PD/500-60



MATERIĀLI:

- Ģipškartona plāksnes Nida
- Dubultais nesošais profils Nida C 75
- Konstrukcijas profils Nida U 75
- Nesošais profils Nida U 75
- Pašurbjošā skrūve Nida 3,5 x 25 mm
- Tērauda enkurošanas elements ar Tērauda paplāksni
- Kniede
- Pastiprinošā josla no 12,5 mm Nida ģipškartona plāksnes

PAŠNESOŠO GRIESTU SISTĒMA AR DUBULTO NIDA C75 NESOŠO
KONSTRUKCIJU AR PASTIPRINOŠO JOSLU

TEHNISKIE PARAMETRI

Sistēmas tips Nida Griesti	Režģa konstrukcija				Ģipša plāksņu apšuvums		Minimālais piekāršanas augstums	Būves svars 1 m ²	Ugunsizturības klase ¹⁾	Maksimālais griestu apdares platums ²⁾	Īpašā sistē- ma
	Nida nesošā profila tips	Nida nesošā perimetra profila tips	Nida konstruk- cijas perimetra profila tips	Maksimālais Nida C75 nesošo profilu atstatums	Ģipša plāksņu apšuvums						
					Nida	Biezums					
CC75/U75/PD/500-37,5/Uguns+	2xC75	U75	U75	500	Uguns Pluss	3x12,5	122,5	38,0	(R)EI60	2660	-
CC75/U75/PD/500-37,5/ŪdensUguns+	2xC75	U75	U75	500	Ūdens Uguns Pluss	3x12,5	122,5	38,0	(R)EI60	2660	-
CC75/U75/PD/500-37,5/Cietā	2xC75	U75	U75	500	Cietā	3x12,5	122,5	47,0	(R)EI60	2380	●
CC75/U75/PD/500-37,5/Hydro	2xC75	U75	U75	500	Hydro	3x12,5	122,5	40,0	(R)EI60	2660	●
CC75/U75/PD/500-40/Uguns+	2xC75	U75	U75	500	Uguns Pluss	2x12,5+15,0	125	41,0	(R)EI90	2510	-
CC75/U75/PD/500-40/Cietā	2xC75	U75	U75	500	Cietā	2x12,5+15,0	125	50,0	(R)EI90	2380	●
CC75/U75/PD/500-40/Hydro	2xC75	U75	U75	500	Hydro	2x12,5+15,0	125	43,0	(R)EI90	2510	●
CC75/U75/PD/500-60/Uguns+	2xC75	U75	U75	500	Uguns Pluss	4x15,0	145	63,0	(R)EI120	2090	-
CC75/U75/PD/500-60/Cietā	2xC75	U75	U75	500	Cietā	4x15,0	145	71,0	(R)EI120	1940	●
CC75/U75/PD/500-60/Hydro	2xC75	U75	U75	500	Hydro	4x15,0	145	63,0	(R)EI120	2090	●

¹⁾ Ugunsdrošības klasifikācija LBO-458-K/17.²⁾ Tehniskais atzinums ITB 1060/12/R33NK.MATERIĀLU PATĒRIŅŠ UZ 1 M² GRIESTU APBŪVES NIDA GRIESTI SISTĒMĀ

Materiāla nosaukums	Mērv.	Sistēmas tips Nida Griesti									
		CC75/U75/ PD/500- 37,5/ Uguns+	CC75/U75/ PD/500-37,5/ ŪdensUguns+	CC75/U75/ PD/500- 37,5/Cietā	CC75/U75/ PD/500- 37,5/Hydro	CC75/U75/ PD/500- 40/ Uguns+	CC75/U75/ PD/500- 40/Cietā	CC75/U75/ PD/500- 40/Hydro	CC75/U75/ PD/500- 60/ Uguns+	CC75/U75/ PD/500- 60/Cietā	CC75/U75/ PD/500- 60/Hydro
Materiāla patēriņš uz 1 m ²											
Plāksne Nida Uguns Pluss 12,5 mm	m ²	3,3	-	-	-	2,3	-	-	-	-	-
Plāksne Nida Ūdens Uguns Pluss 12,5 mm	m ²	-	3,3	-	-	-	-	-	-	-	-
Plāksne Nida Cietā 12,5 mm	m ²	-	-	3,3	-	-	2,3	-	-	-	-
Plāksne Nida Hydro 12,5 mm	m ²	-	-	-	3,3	-	-	2,3	-	-	-
Plāksne Nida Uguns Pluss 15,0 mm	m ²	-	-	-	-	1,0	-	-	4,3	-	-
Plāksne Nida Cietā 15,0 mm	m ²	-	-	-	-	-	1,0	-	-	4,3	-
Plāksne Nida Hydro 15,0 mm	m ²	-	-	-	-	-	-	1,0	-	-	4,3
Profils Nida C75	tek.m	4,4	4,4	4,4	4,4	4,4	4,4	4,4	4,4	4,4	4,4
Profils Nida U75	tek.m	0,75	0,75	0,75	0,75	0,75	0,75	0,75	0,75	0,75	0,75
Kniedes	gab.	5,6	5,6	5,6	5,6	5,6	5,6	5,6	5,6	5,6	5,6
Tērauda enkurošanas elements (tips atbilstoši būves svaram) ³⁾	gab.	1,7	1,7	1,7	1,7	1,7	1,7	1,7	1,7	1,7	1,7
Pašurbjošās skrūves Nida 3,5x9,5/11 mm	gab.	8,3	8,3	8,3	8,3	8,3	8,3	8,3	8,3	8,3	8,3
Pašurbjošās skrūves Nida 3,5x25 mm	gab.	15,0	15,0	-	-	15,0	-	-	15,0	-	-
Pašurbjošās skrūves Nida 3,5x35 mm	gab.	6,0	6,0	-	-	6,0	-	-	-	-	-
Pašurbjošās skrūves Nida 3,5x45 mm	gab.	-	-	-	-	-	-	-	6,0	-	-
Pašurbjošās skrūves Nida 3,5x55 mm	gab.	18,0	18,0	-	-	18,0	-	-	6,0	-	-
Pašurbjošās skrūves Nida 4,2x70 mm	gab.	-	-	-	-	-	-	-	18,0	-	-
Pašurbjošās skrūves Nida Cietā 35 (3,9x35 mm)	gab.	-	-	21,0	-	-	21,0	-	-	15,0	-
Pašurbjošās skrūves Nida Cietā 45 (3,9x45 mm)	gab.	-	-	-	-	-	-	-	-	6,0	-
Pašurbjošās skrūves Nida Cietā 55 (3,9x55 mm)	gab.	-	-	18,0	-	-	18,0	-	-	6,0	-
Pašurbjošās skrūves Nida Cietā 70 (4,2x70 mm)	gab.	-	-	-	-	-	-	-	-	18,0	-
Pašurbjošās skrūves Nida Hydro C4 3,5x25 mm	gab.	-	-	-	15,0	-	-	15,0	-	-	15,0
Pašurbjošās skrūves Nida Hydro C4 3,5x41 mm	gab.	-	-	-	6,0	-	-	6,0	-	-	6,0
Pašurbjošās skrūves Nida Hydro C4 3,5x55 mm	gab.	-	-	-	18,0	-	-	18,0	-	-	6,0
Pašurbjošās skrūves Nida Hydro C4 4,2x70 mm	gab.	-	-	-	-	-	-	-	-	-	18,0
Līmīlente šuvēm Nida	tek.m	1,4	1,4	1,4	1,4	1,4	1,4	1,4	1,4	1,4	1,4
Ģipša špaktele Nida Start	kg	0,9	0,9	-	-	0,9	-	-	1,2	-	-
Ģipša špaktele Nida Finisz	kg	0,1	0,1	-	-	0,1	-	-	0,1	-	-
Gatavā špaktelmasa Nida Hydromix ⁴⁾	kg	-	-	1,0	1,0	-	-	1,0	1,0	-	1,3

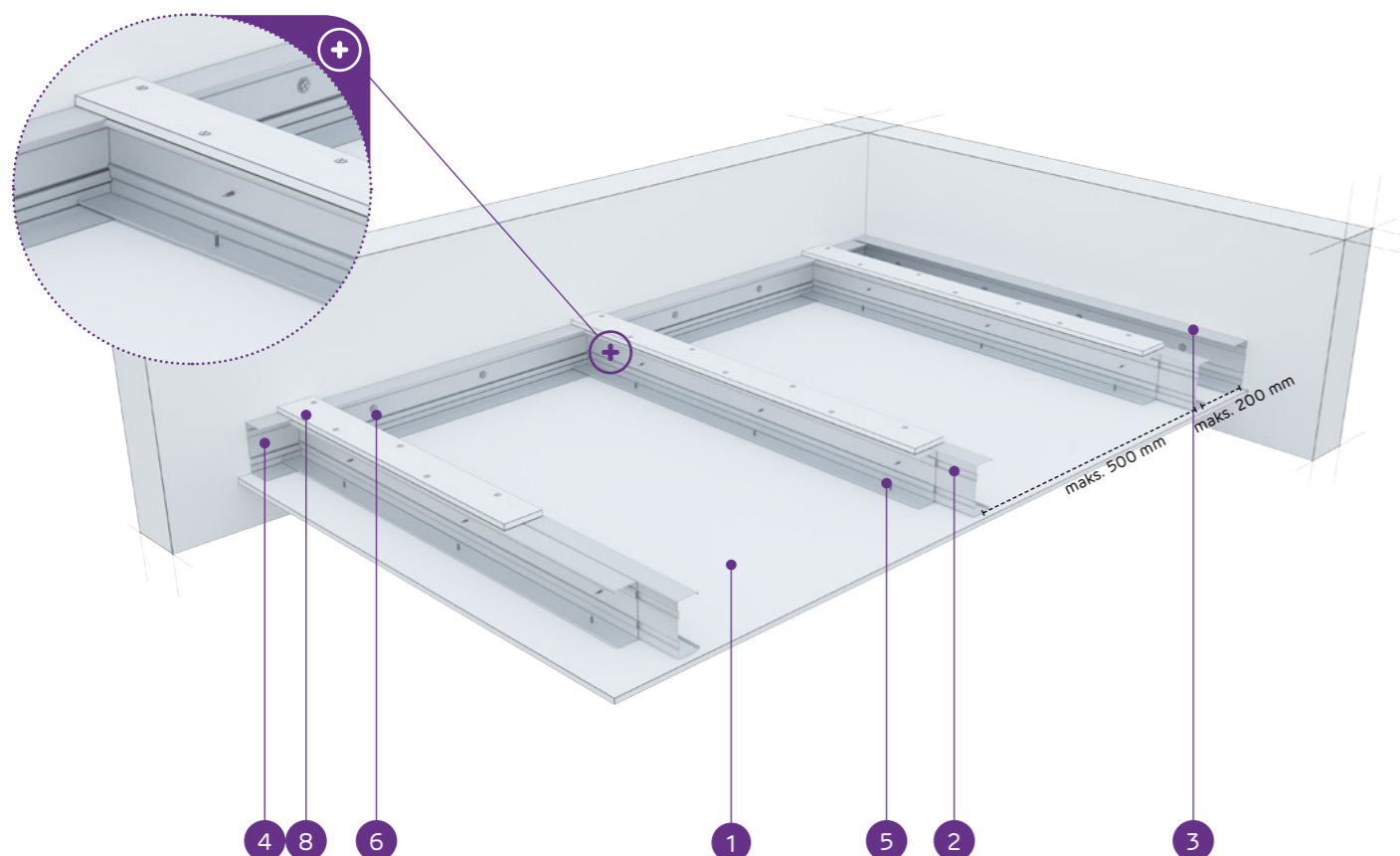
³⁾ Enkurošanas elementu tips un skaits jāizvēlas saskaņā ar shēmu, kas iekļauta ITB tehniskajā atzinumā Pašnesošie griesti: ITB 1060/12/R33NK.⁴⁾ Izmantojot ģipša šķiedru plāksnes Nida Cietā, kā alternatīvu varat izmantot arī Nida Planfix Fresh ģipša špakteļi. Patēriņa standartos nav ņemti vērā materiālie zaudējumi.

nida Griesti

Ugunsizturības
klase:
(R)EI15
(R)EI30Maksimālais
apdares
platums:
4740 mmMinimālais
piekāršanas
augstums:
110 mmBūves svars
1m²:
15,0-25,0 kgSaisītā
dokumenta
numurs:
EN13964:2004+A1Eksploatacijas īpašību deklarācija:
DoP/Ceiling System/0052/15.11.2016

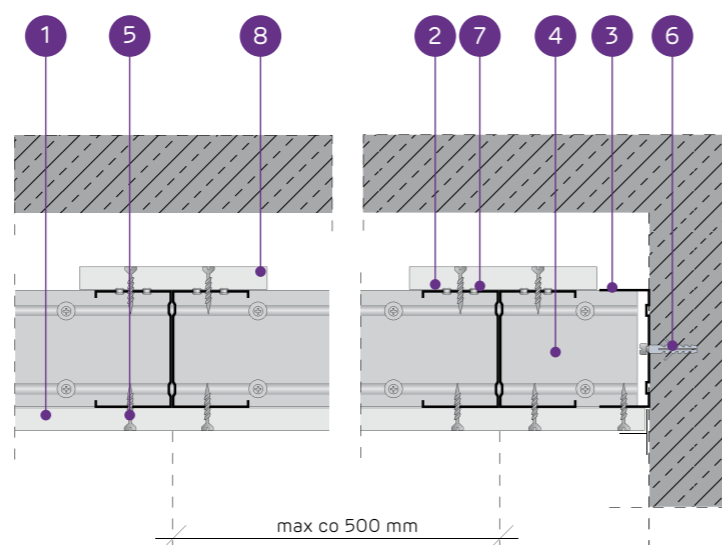
SISTĒMAS:

CC100/U100/PD/500-12,5; CC100/U100/PD/500-15; CC100/U100/PD/500-18



MATERIĀLI:

1. Ģipškartona plāksnes Nida
2. Dubultais nesošais profils Nida C 100
3. Konstruktīvais profils Nida U 100
4. Nesošais profils Nida U 100
5. Pašurbjošā skrūve Nida 3,5 x 25 mm
6. Tērauda enkurošanas elements ar Tērauda paplāksni
7. Kniede
8. Pastiprinošā josla no 12,5 mm Nida ģipškartona plāksnes



PAŠNESOŠO GRIESTU SISTĒMA AR DUBULTO NIDA C100 NESOŠO KONSTRUKCIJU AR PASTIPRINOŠO JOSLU

TEHNISKIE PARAMETRI

Sistēmas tips Nida Griesti	Režģa konstrukcija				Ģipša plāksņu apšuvums		Minimālais piekāršanas augstums	Būves svars 1 m ²	Ugunsizturības klase ¹⁾	Maksimālais griestu apdares platums ²⁾	Ipaša sistē- ma
	Nida nesošā profila tips	Nida nesošā perimetra profila tips	Nida konstruk- cijas perimetra profila tips	Maksimālais Nida C100 nesošo profilu atstatums	Nida	Biezums					
CC100/U100/PD/500-12,5/Expert	2xC100	U100	U100	500	Expert	12,5	122,5	15,0	-	4740	-
CC100/U100/PD/500-12,5/Ūdens ³⁾	2xC100	U100	U100	500	Ūdens	12,5	122,5	16,0	-	4100	-
CC100/U100/PD/500-12,5/Uguns+	2xC100	U100	U100	500	Uguns Pluss	12,5	122,5	18,0	(R)EI15	4100	-
CC100/U100/PD/500-12,5/ŪdensUguns+	2xC100	U100	U100	500	Ūdens Uguns Pluss	12,5	122,5	18,0	(R)EI15	4100	-
CC100/U100/PD/500-12,5/Cietā	2xC100	U100	U100	500	Cietā	12,5	122,5	21,0	(R)EI15	3670	●
CC100/U100/PD/500-12,5/Hydro	2xC100	U100	U100	500	Hydro	12,5	122,5	19,0	(R)EI15	4100	●
CC100/U100/PD/500-15/Uguns+	2xC100	U100	U100	500	Uguns Pluss	15,0	125	22,0	(R)EI15	3670	-
CC100/U100/PD/500-15/Cietā	2xC100	U100	U100	500	Cietā	15,0	125	25,0	(R)EI15	3670	●
CC100/U100/PD/500-15/Hydro	2xC100	U100	U100	500	Hydro	15,0	125	22,0	(R)EI15	3670	●
CC100/U100/PD/500-18/Uguns+	2xC100	U100	U100	500	Uguns Pluss	18,0	128	23,0	(R)EI30	3670	-

¹⁾ Ugunsdrošības klasifikācija LBO-458-K/17.²⁾ Tehniskais atzinums ITB 1060/12/R33NK.³⁾ Telpās ar relatīvo gaisa mitrumu līdz 85 % stūra sekcijās pret intensīvu ūdens iedarbību ieteicams izmantot Nida Hydro ģipša šķiedru plāksnes (horizontālām un vertikālām virsmām vannas, dušas utt. zonās).MATERIĀLU PATĒRIŅŠ UZ 1 M² GRIESTU APBŪVES NIDA GRIESTI SISTĒMĀ

Materiāla nosaukums	Mērv.	Sistēmas tips Nida Griesti									
		CC100/ U100/ PD/500- 12,5/ Expert	CC100/ U100/ PD/500- 12,5/ Ūdens	CC100/ U100/ PD/500- 12,5/ Uguns+	CC100/U100/ PD/500-12,5/ ŪdensUguns+	CC100/ U100/ PD/500- 12,5/ Cietā	CC100/ U100/ PD/500- 12,5/ Hydro	CC100/ U100/ PD/500- 15/ Uguns+	CC100/ U100/ PD/500- 15/ Cietā	CC100/ U100/ PD/500- 15/ Hydro	CC100/ U100/ PD/500- 18/ Uguns+
		Materiāla patēriņš uz 1 m ²									
Plāksne Nida Expert 12,5 mm	m ²	1,3	-	-	-	-	-	-	-	-	
Plāksne Nida Ūdens 12,5 mm	m ²	-	1,3	-	-	-	-	-	-	-	
Plāksne Nida Uguns Pluss 12,5 mm	m ²	-	-	1,3	-	-	-	-	-	-	
Plāksne Nida Ūdens Uguns Pluss 12,5 mm	m ²	-	-	-	1,3	-	-	-	-	-	
Plāksne Nida Cietā 12,5 mm	m ²	-	-	-	-	1,3	-	-	-	-	
Plāksne Nida Hydro 12,5 mm	m ²	-	-	-	-	-	1,3	-	-	-	
Plāksne Nida Uguns Pluss 15,0 mm	m ²	-	-	-	-	-	-	1,3	-	-	
Plāksne Nida Cietā 15,0 mm	m ²	-	-	-	-	-	-	-	1,3	-	
Plāksne Nida Hydro 15,0 mm	m ²	-	-	-	-	-	-	-	-	1,3	
Plāksne Nida Uguns Pluss 18,0 mm	m ²	-	-	-	-	-	-	-	-	-	1,3
Profils Nida C100	tek.m	4,4	4,4	4,4	4,4	4,4	4,4	4,4	4,4	4,4	
Profils Nida U100	tek.m	0,75	0,75	0,75	0,75	0,75	0,75	0,75	0,75	0,75	
Kniedes	gab.	5,6	5,6	5,6	5,6	5,6	5,6	5,6	5,6	5,6	
Tērauda enkurošanas elements (tips atbilstoši būves svaram) ⁴⁾	gab.	1,7	1,7	1,7	1,7	1,7	1,7	1,7	1,7	1,7	
Pašurbjošās skrūves Nida 3,5x9,5/11 mm	gab.	8,3	8,3	8,3	8,3	8,3	8,3	8,3	8,3	8,3	
Pašurbjošās skrūves Nida 3,5x25 mm	gab.	27,0	27,0	27,0	27,0	-	-	27,0	-	-	
Pašurbjošās skrūves Nida 3,5x35 mm	gab.	-	-	-	-	-	-	-	-	27,0	
Pašurbjošās skrūves Nida Cietā 35 (3,9x35 mm)	gab.	-	-	-	-	27,0	-	-	27,0	-	
Pašurbjošās skrūves Nida Hydro C4 3,5x25 mm	gab.	-	-	-	-	-	27,0	-	-	27,0	
Līmīente šuvēm Nida	tek.m	1,4	1,4	1,4	1,4	1,4	1,4	1,4	1,4	1,4	
Ģipša špaktele Nida Start	kg	0,3	0,3	0,3	0,3	-	-	0,3	-	0,3	
Ģipša špaktele Nida Finisz	kg	0,1	0,1	0,1	0,1	-	-	0,1	-	0,1	
Gatavā špaktelmasa Nida Hydromix ⁵⁾	kg	-	-	-	-	0,4	0,4	-	0,4	0,4	

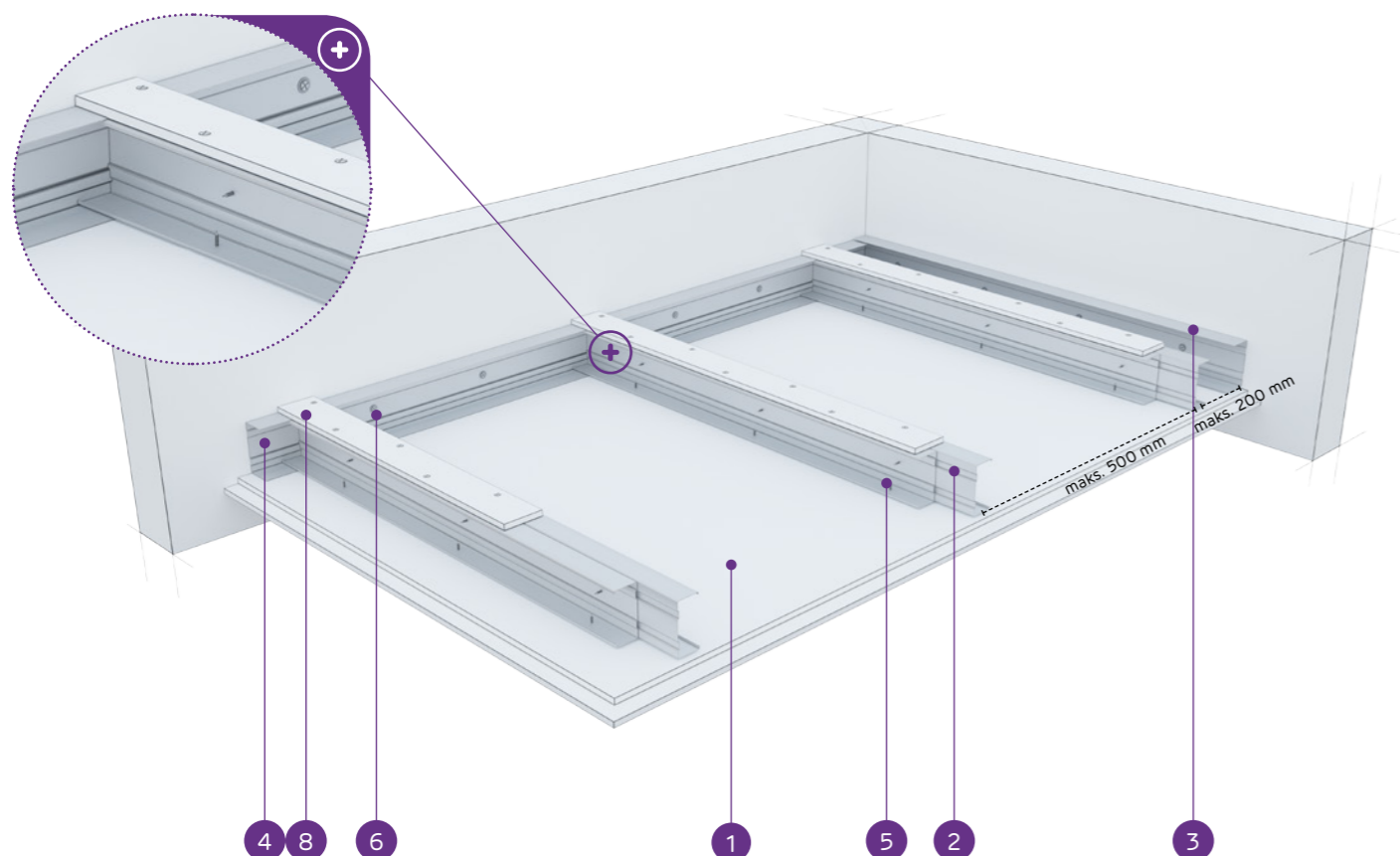
⁴⁾ Enkurošanas elementu tips un skaits jāizvēlas saskaņā ar shēmu, kas iekļauta ITB tehniskajā atzinumā Pašnesošie griesti: ITB 1060/12/R33NK.⁵⁾ Izmantojot ģipša šķiedru plāksnes Nida Cietā, kā alternatīvu varat izmantot arī Nida Planfix Fresh ģipša špakteļi. Patēriņa standartos nav ņemti vērā materiālie zaudējumi.

nida Griesti

Ugunsizturības
klase:
(R)EI45
(R)EI60Maksimālais
apdares
platums:
3700 mmMinimālais
piekāršanas
augstums:
110 mmBūves svars
1m²:
23,0-40,0 kgSaisītā
dokumenta
numurs:
EN13964:2004+A1Eksploatacijas īpašību deklarācija:
DoP/Ceiling System/0052/15.11.2016

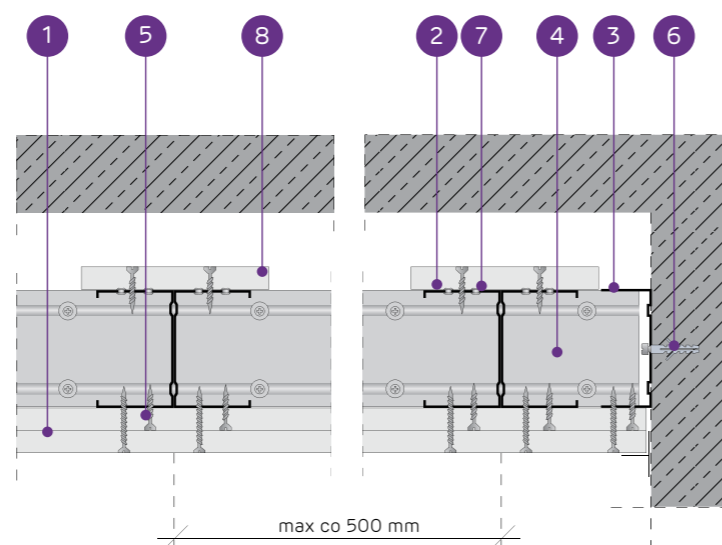
SISTĒMAS:

CC100/U100/PD/500-25; CC100/U100/PD/500-30



MATERIĀLI:

1. Ģipškartona plāksnes Nida
2. Dubultais nesošais profils Nida C 100
3. Konstruktīvais profils Nida U 100
4. Nesošais profils Nida U 100
5. Pašurbjošā skrūve Nida 3,5 x 25 mm
6. Tērauda enkurošanas elements ar Tērauda paplāksni
7. Kniede
8. Pastiprinošā josla no 12,5 mm Nida ģipškartona plāksnes

PAŠNESOŠO GRIESTU SISTĒMA AR DUBULTO NIDA C100 NESOŠO
KONSTRUKCIJU AR PASTIPRINOŠO JOSLU

TEHNISKIE PARAMETRI

Sistēmas tips Nida Griesti	Režģa konstrukcija				Ģipša plākšņu apšuvums		Minimālais piekāršanas augstums	Būves svars 1 m ²	Ugunsizturības klase ¹⁾	Maksimālais griestu apdares platums ²⁾	Īpašā sistē- ma
	Nida nesošā profila tips	Nida nesošā perimetra profila tips	Nida konstruk- cijas perimetra profila tips	Maksimālais Nida C100 nesošo profilu atstatums	Nida	Biezums					
			[mm]			[mm]	kg	[min.]	[mm]		
CC100/U100/PD/500-25/Expert	2xC100	U100	U100	500	Expert	2x12,5	135	23,0	-	3700	-
CC100/U100/PD/500-25/Ūdens ³⁾	2xC100	U100	U100	500	Ūdens	2x12,5	135	25,0	-	3700	-
CC100/U100/PD/500-25/Uguns+	2xC100	U100	U100	500	Uguns Plus	2x12,5	135	28,0	(R)EI45	3380	-
CC100/U100/PD/500-25/ŪdensUguns+	2xC100	U100	U100	500	Ūdens Uguns Plus	2x12,5	135	28,0	(R)EI45	3380	-
CC100/U100/PD/500-25/Cietā	2xC100	U100	U100	500	Cietā	2x12,5	135	34,0	(R)EI45	3120	●
CC100/U100/PD/500-25/Hydro	2xC100	U100	U100	500	Hydro	2x12,5	135	30,0	(R)EI45	3380	●
CC100/U100/PD/500-30/Uguns+	2xC100	U100	U100	500	Uguns Plus	2x15,0	140	36,0	(R)EI60	2930	-
CC100/U100/PD/500-30/Cietā	2xC100	U100	U100	500	Cietā	2x15,0	140	40,0	(R)EI60	2930	●
CC100/U100/PD/500-30/Hydro	2xC100	U100	U100	500	Hydro	2x15,0	140	36,0	(R)EI60	2930	●

¹⁾ Ugunsdrošības klasifikācija LBO-458-K/17.²⁾ Tehniskais atzinums ITB 1060/12/R33NK.³⁾ Telpās ar relatīvo gaisa mitrumu līdz 85% stūra sekcijās pret intensīvu ūdens iedarbību ieteicams izmantot Nida Hydro ģipša šķiedru plāksnes (horizontālām un vertikālām virsmām vannas, dušas utt. zonās).MATERIĀLU PATĒRIŅŠ UZ 1 M² GRIESTU APBŪVES NIDA GRIESTI SISTĒMĀ

Materiāla nosaukums	Mērv.	Sistēmas tips Nida Griesti									
		CC100/ U100/ PD/500- 25/Expert	CC100/ U100/ PD/500- 25/Ūdens	CC100/ U100/ PD/500- 25/Uguns+	CC100/U100/ PD/500-25/ ŪdensUguns+	CC100/ U100/ PD/500- 25/Cietā	CC100/ U100/ PD/500- 25/Hydro	CC100/ U100/ PD/500- 30/Uguns+	CC100/ U100/ PD/500- 30/Cietā	CC100/ U100/ PD/500- 30/Hydro	
Materiāla patēriņš uz 1 m ²											
Plāksne Nida Expert 12,5 mm	m ²	2,3	-	-	-	-	-	-	-	-	-
Plāksne Nida Ūdens 12,5 mm	m ²	-	2,3	-	-	-	-	-	-	-	-
Plāksne Nida Uguns Plus 12,5 mm	m ²	-	-	2,3	-	-	-	-	-	-	-
Plāksne Nida Ūdens Uguns Plus 12,5 mm	m ²	-	-	-	2,3	-	-	-	-	-	-
Plāksne Nida Cietā 12,5 mm	m ²	-	-	-	-	2,3	-	-	-	-	-
Plāksne Nida Hydro 12,5 mm	m ²	-	-	-	-	-	2,3	-	-	-	-
Plāksne Nida Uguns Plus 15,0 mm	m ²	-	-	-	-	-	-	2,3	-	-	-
Plāksne Nida Cietā 15,0 mm	m ²	-	-	-	-	-	-	-	2,3	-	-
Plāksne Nida Hydro 15,0 mm	m ²	-	-	-	-	-	-	-	-	-	2,3
Profils Nida C100	tek.m	4,4	4,4	4,4	4,4	4,4	4,4	4,4	4,4	4,4	4,4
Profils Nida U100	tek.m	0,75	0,75	0,75	0,75	0,75	0,75	0,75	0,75	0,75	0,75
Kniedes	gab.	5,6	5,6	5,6	5,6	5,6	5,6	5,6	5,6	5,6	5,6
Tērauda enkurošanas elements (tips atbilstoši būves svaram) ⁴⁾	gab.	1,7	1,7	1,7	1,7	1,7	1,7	1,7	1,7	1,7	1,7
Pašurbjošās skrūves Nida 3,5x9,5/11 mm	gab.	8,3	8,3	8,3	8,3	8,3	8,3	8,3	8,3	8,3	8,3
Pašurbjošās skrūves Nida 3,5x25 mm	gab.	15,0	15,0	15,0	15,0	-	-	15,0	-	-	-
Pašurbjošās skrūves Nida 3,5x35 mm	gab.	18,0	18,0	18,0	18,0	-	-	-	-	-	-
Pašurbjošās skrūves Nida 3,5x45 mm	gab.	-	-	-	-	-	-	18,0	-	-	-
Pašurbjošās skrūves Nida Cietā 35 (3,9x35 mm)	gab.	-	-	-	-	33,0	-	-	-	15,0	-
Pašurbjošās skrūves Nida Cietā 45 (3,9x45 mm)	gab.	-	-	-	-	-	-	-	-	18,0	-
Pašurbjošās skrūves Nida Hydro C4 3,5x25 mm	gab.	-	-	-	-	-	15,0	-	-	-	15,0
Pašurbjošās skrūves Nida Hydro C4 3,5x41 mm	gab.	-	-	-	-	-	18,0	-	-	-	18,0
Limlente šuvēm Nida	tek.m	1,4	1,4	1,4	1,4	1,4	1,4	1,4	1,4	1,4	1,4
Ģipša špaktele Nida Start	kg	0,6	0,6	0,6	0,6	-	-	0,6	-	-	-
Ģipša špaktele Nida Finisz	kg	0,1	0,1	0,1	0,1	-	-	0,1	-	-	-
Gatavā špaktelmasa Nida Hydromix ⁵⁾	kg	-	-	-	-	-	0,7	0,7	-	0,7	0,7

⁴⁾ Enkurošanas elementu tips un skaits jāizvēlas saskaņā ar shēmu, kas iekļauta ITB tehniskajā atzinumā Pašnesošie griesti: ITB 1060/12/R33NK.⁵⁾ Izmantojot ģipša šķiedru plāksnes Nida Cietā, kā alternatīvu varat izmantot arī Nida Planfix Fresh ģipša špakteļi.

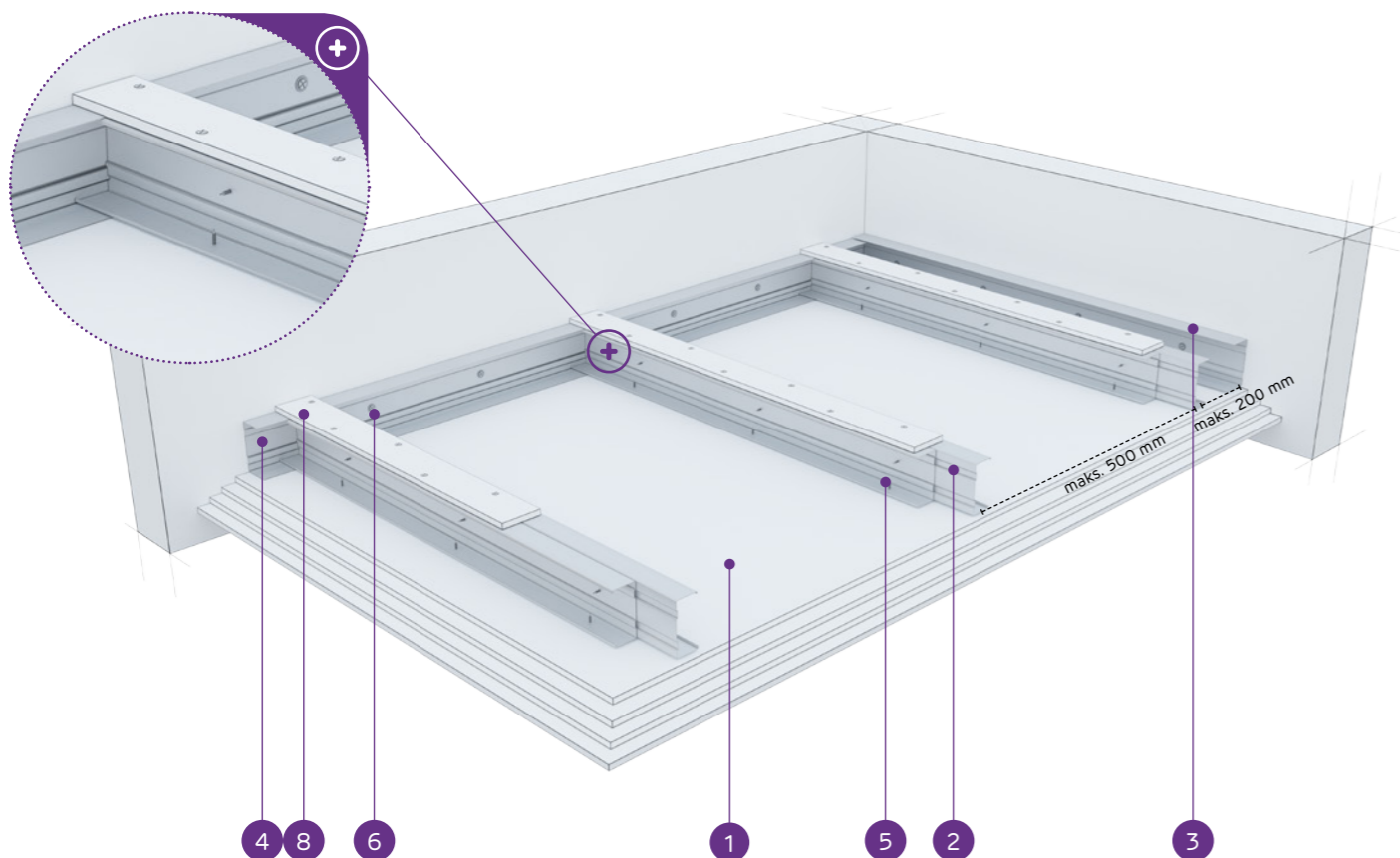
Patēriņa standartos nav ņemti vērā materiālie zaudējumi.

nida Griesti

Ugunsizturības
klase:
(R)EI60
(R)EI90
(R)EI120Maksimālais
apdares
platums:
2930 mmMinimālais
piekāršanas
augstums:
110 mmBūves svars
1m²:
38,0-72,0 kgSaistītā
dokumenta
numurs:
EN13964:2004+A1Eksploatacijas īpašību deklarācija:
DoP/Ceiling System/0052/15.11.2016

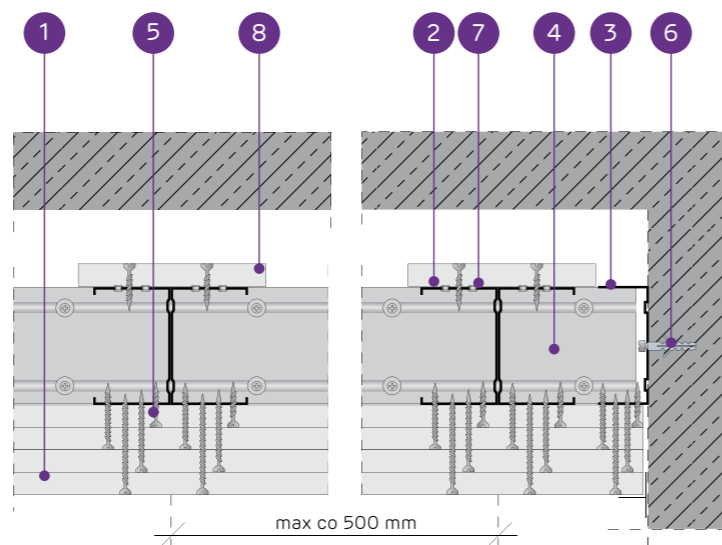
SISTĒMAS:

CC100/U100/PD/500-37,5; CC100/U100/PD/500-40; CC100/U100/PD/500-60



MATERIĀLI:

- Ģipškartona plāksnes Nida
- Dubultais nesošais profils Nida C 100
- Konstrukcijas profils Nida U 100
- Nesošais profils Nida U 100
- Pašurbjošā skrūve Nida 3,5 x 25 mm
- Tērauda enkurošanas elements ar Tērauda paplāksni
- Kniede
- Pastiprinošā josla no 12,5 mm Nida ģipškartona plāksnes



PAŠNESOŠO GRIESTU SISTĒMA AR DUBULTO NIDA C100 NESOŠO KONSTRUKCIJU AR PASTIPRINOŠO JOSLU

TEHNISKIE PARAMETRI

Sistēmas tips Nida Griesti	Režģa konstrukcija				Ģipša plāksņu apšuvums		Minimālais piekāršanas augstums	Būves svars 1 m ²	Ugunsizturības klase ¹⁾	Maksimālais griestu apdares platums ²⁾	Ipašā sis- tēma
	Nida nesošā profila tips	Nida nesošā perimetra profila tips	Nida konstruk- cijas perimetra profila tips	Maksimālais Nida C100 nesošo profilu atstatums	Nida	Biezums					
CC100/U100/PD/500-37,5/Uguns+	2xC100	U100	U100	500	Uguns Pluss	3x12,5	147,5	38,0	(R)EI60	2930	-
CC100/U100/PD/500-37,5/ŪdensUguns+	2xC100	U100	U100	500	Ūdens Uguns Pluss	3x12,5	147,5	38,0	(R)EI60	2930	-
CC100/U100/PD/500-37,5/Cietā	2xC100	U100	U100	500	Cietā	3x12,5	147,5	47,0	(R)EI60	2620	●
CC100/U100/PD/500-37,5/Hydro	2xC100	U100	U100	500	Hydro	3x12,5	147,5	41,0	(R)EI60	2760	●
CC100/U100/PD/500-40/Uguns+	2xC100	U100	U100	500	Uguns Pluss	2x12,5+15,0	150	42,0	(R)EI90	2760	-
CC100/U100/PD/500-40/Cietā	2xC100	U100	U100	500	Cietā	2x12,5+15,0	150	50,0	(R)EI90	2620	●
CC100/U100/PD/500-40/Hydro	2xC100	U100	U100	500	Hydro	2x12,5+15,0	150	43,0	(R)EI90	2760	●
CC100/U100/PD/500-60/Uguns+	2xC100	U100	U100	500	Uguns Pluss	4x15,0	170	63,0	(R)EI120	2290	-
CC100/U100/PD/500-60/Cietā	2xC100	U100	U100	500	Cietā	4x15,0	170	72,0	(R)EI120	2130	●
CC100/U100/PD/500-60/Hydro	2xC100	U100	U100	500	Hydro	4x15,0	170	63,0	(R)EI120	2290	●

¹⁾ Ugunsdrošības klasifikācija LBO-458-K/17.²⁾ Tehniskais atzinums ITB 1060/12/R33NK.MATERIĀLU PATĒRĪŅŠ UZ 1 M² GRIESTU APBŪVES NIDA GRIESTI SISTĒMĀ

Materiāla nosaukums	Mērv.	Sistēmas tips Nida Griesti									
		CC100/ U100/ PD/500- 37,5/Uguns+	CC100/U100/ PD/500-37,5/ ŪdensUguns+	CC100/ U100/ PD/500- 37,5/Cietā	CC100/ U100/ PD/500- 37,5/Hydro	CC100/ U100/ PD/500- 40/Uguns+	CC100/ U100/ PD/500- 40/Cietā	CC100/ U100/ PD/500- 40/Hydro	CC100/ U100/ PD/500- 60/ Uguns+	CC100/ U100/ PD/500- 60/Cietā	CC100/ U100/ PD/500- 60/Hydro
Plāksne Nida Uguns Pluss 12,5 mm	m ²	3,7	-	-	-	2,7	-	-	-	-	-
Plāksne Nida Ūdens Uguns Pluss 12,5 mm	m ²	-	3,7	-	-	-	-	-	-	-	-
Plāksne Nida Cietā 12,5 mm	m ²	-	-	3,7	-	2,7	-	-	-	-	-
Plāksne Nida Hydro 12,5 mm	m ²	-	-	-	3,7	-	2,7	-	-	-	-
Plāksne Nida Uguns Pluss 15,0 mm	m ²	-	-	-	-	1,0	-	-	4,7	-	-
Plāksne Nida Cietā 15,0 mm	m ²	-	-	-	-	-	1,0	-	-	4,7	-
Plāksne Nida Hydro 15,0 mm	m ²	-	-	-	-	-	-	1,0	-	-	4,7
Profils Nida C100	tek.m	4,4	4,4	4,4	4,4	4,4	4,4	4,4	4,4	4,4	4,4
Profils Nida U100	tek.m	0,75	0,75	0,75	0,75	0,75	0,75	0,75	0,75	0,75	0,75
Kniedes	gab.	5,6	5,6	5,6	5,6	5,6	5,6	5,6	5,6	5,6	5,6
Tērauda enkurošanas elements (tips atbilstoši būves svaram) ³⁾	gab.	1,7	1,7	1,7	1,7	1,7	1,7	1,7	1,7	1,7	1,7
Pašurbjošās skrūves Nida 3,5x9,5/11 mm	gab.	8,3	8,3	8,3	8,3	8,3	8,3	8,3	8,3	8,3	8,3
Pašurbjošās skrūves Nida 3,5x25 mm	gab.	15,0	15,0	-	-	15,0	-	-	15,0	-	-
Pašurbjošās skrūves Nida 3,5x35 mm	gab.	6,0	6,0	-	-	6,0	-	-	-	-	-
Pašurbjošās skrūves Nida 3,5x45 mm	gab.	-	-	-	-	-	-	-	6,0	-	-
Pašurbjošās skrūves Nida 3,5x55 mm	gab.	18,0	18,0	-	-	18,0	-	-	6,0	-	-
Pašurbjošās skrūves Nida 4,2x70 mm	gab.	-	-	-	-	-	-	-	18,0	-	-
Pašurbjošās skrūves Nida Cietā 35 (3,9x35 mm)	gab.	-	-	21,0	-	-	21,0	-	-	15,0	-
Pašurbjošās skrūves Nida Cietā 45 (3,9x45 mm)	gab.	-	-	-	-	-	-	-	-	6,0	-
Pašurbjošās skrūves Nida Cietā 55 (3,9x55 mm)	gab.	-	-	18,0	-	-	18,0	-	-	6,0	-
Pašurbjošās skrūves Nida Cietā 70 (4,2x70 mm)	gab.	-	-	-	-	-	-	-	-	18,0	-
Pašurbjošās skrūves Nida Hydro C4 3,5x25 mm	gab.	-	-	-	15,0	-	-	15,0	-	-	15,0
Pašurbjošās skrūves Nida Hydro C4 3,5x41 mm	gab.	-	-	-	6,0	-	-	6,0	-	-	6,0
Pašurbjošās skrūves Nida Hydro C4 3,5x55 mm	gab.	-	-	-	18,0	-	-	18,0	-	-	6,0
Pašurbjošās skrūves Nida Hydro C4 4,2x70 mm	gab.	-	-	-	-	-	-	-	-	-	18,0
Limlente šuvēm Nida	tek.m	1,4	1,4	1,4	1,4	1,4	1,4	1,4	1,4	1,4	1,4
Ģipša špaktele Nida Start	kg	0,9	0,9	-	-	0,9	-	-	1,2	-	-
Ģipša špaktele Nida Finisz	kg	0,1	0,1	-	-	0,1	-	-	0,1	-	-
Gatavā špakteļmasa Nida Hydromix ⁴⁾	kg	-	-	1,0	1,0	-	1,0	1,0	-	1,3	1,3

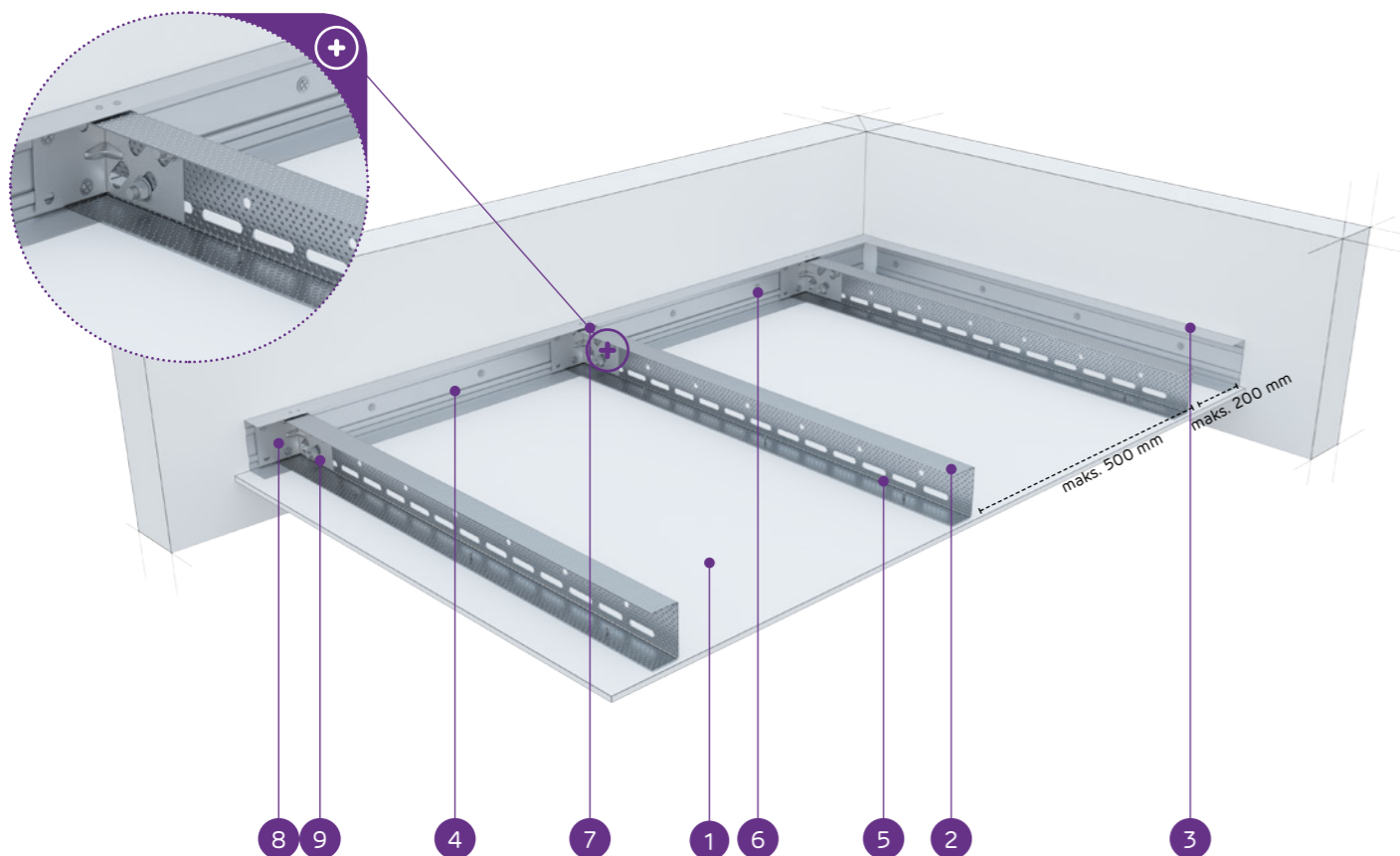
³⁾ Enkurošanas elementu tips un skaits jāizvēlas saskaņā ar shēmu, kas iekļauta ITB tehniskajā atzinumā Pašnesošie griesti: ITB 1060/12/R33NK.⁴⁾ Izmantojot ģipša šķiedru plāksnes Nida Cietā, kā alternatīvu varat izmantot arī Nida Planfix Fresh ģipša špakteli. Patēriņa standartos nav ņemti vērā materiālie zaudējumi.

nida Griesti

Ugunsizturības
klase:
(R)EI15
(R)EI30Maksimālais
apdares
platums:
3960 mmMinimālais
piekāršanas
augstums:
60 mmBūves svars
1m²:
12,0-19,0 kgSaistītā
dokumenta
numurs:
EN13964:2004+A1Eksploatacijas īpašību deklarācija:
DoP/Ceiling System/0053/15.11.2016

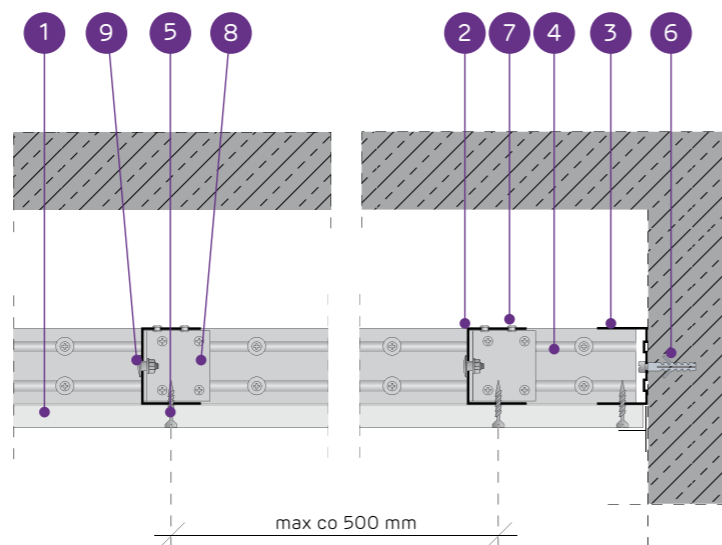
SISTĒMAS:

UAR50/U50/500-12,5; UAR50/U50/500-15; UAR50/U50/500-18



MATERIĀLI:

1. Ģipškartona plāksnes Nida
2. Nesošais profils Nida UAR 50
3. Konstrukcijas profils Nida U 50
4. Nesošais profils Nida U 50
5. Pašurbjošā skrūve Nida 3,5 x 25 mm
6. Tērauda enkurošanas elements ar Tērauda paplāksni
7. Kniede
8. Leņķis Nida UA profilam
9. Skrūve Nida M8



PAŠNESOŠO GRIESTU SISTĒMA AR NIDA UAR50 KONSTRUKCIJU

TEHNISKIE PARAMETRI

Sistēmas tips Nida Griesti	Režģa konstrukcija				Ģipša plāksņu apšuvums		Minimālais piekāršanas augstums	Būves svars 1 m ²	Ugunsizturības klase ¹⁾	Maksimālais griestu apdares platums ²⁾	Īpašā sistē- ma
	Nida nesošā profila tips	Nida nesošā perimetra profila tips	Nida konstruk- cijas perimetra profila tips	Maksimālais Nida UAR50 nesošo profilu atstatums	[mm]						
					Nida	Biezums					
UAR50/U50/500-12,5/Expert	UAR50	U50	U50	500	Expert	12,5	72,5	12,0	-	3960	-
UAR50/U50/500-12,5/Ūdens ³⁾	UAR50	U50	U50	500	Ūdens	12,5	72,5	13,0	-	3960	-
UAR50/U50/500-12,5/Uguns+	UAR50	U50	U50	500	Uguns Pluss	12,5	72,5	14,0	(R)EI15	3960	-
UAR50/U50/500-12,5/ŪdensUguns+	UAR50	U50	U50	500	Ūdens Uguns Pluss	12,5	72,5	14,0	(R)EI15	3960	-
UAR50/U50/500-12,5/Cietā	UAR50	U50	U50	500	Cietā	12,5	72,5	17,0	(R)EI15	3430	●
UAR50/U50/500-12,5/Hydro	UAR50	U50	U50	500	Hydro	12,5	72,5	15,0	(R)EI15	3960	●
UAR50/U50/500-15/Uguns+	UAR50	U50	U50	500	Uguns Pluss	15,0	75	18,0	(R)EI15	3430	-
UAR50/U50/500-15/Cietā	UAR50	U50	U50	500	Cietā	15,0	75	19,0	(R)EI15	3430	●
UAR50/U50/500-15/Hydro	UAR50	U50	U50	500	Hydro	15,0	75	18,0	(R)EI15	3430	●
UAR50/U50/500-18/Uguns+	UAR50	U50	U50	500	Uguns Pluss	18,0	78	18,0	(R)EI30	3430	-

¹⁾ Ugunsdrošības klasifikācija LBO-458-K/17.²⁾ Tehniskais atzinums ITB 1060/12/R33NK.³⁾ Telpās ar relatīvo gaisa mitrumu līdz 85 % stūra sekcijās pret intensīvu ūdens iedarību ieteicams izmantot Nida Hydro ģipša šķiedru plāksnes (horizontālām un vertikālām virsmām vannas, dušas utt. zonās).MATERIĀLU PATĒRIŅŠ UZ 1 M² GRIESTU APBŪVES NIDA GRIESTI SISTĒMĀ

Materiāla nosaukums	Mērv.	Sistēmas tips Nida Griesti									
		UAR50/ U50/500- 12,5/Expert	UAR50/ U50/500- 12,5/Ūdens	UAR50/ U50/500- 12,5/Uguns+	UAR50/ U50/500- 12,5/ ŪdensUguns+	UAR50/ U50/500- 12,5/Cietā	UAR50/ U50/500- 12,5/Hydro	UAR50/ U50/500- 15/Uguns+	UAR50/ U50/500- 15/Cietā	UAR50/ U50/500- 15/Hydro	UAR50/ U50/500- 18/ Uguns+
		Materiāla patēriņš uz 1 m ²									
Plāksne Nida Expert 12,5 mm	m ²	1,0	-	-	-	-	-	-	-	-	-
Plāksne Nida Ūdens 12,5 mm	m ²	-	1,0	-	-	-	-	-	-	-	-
Plāksne Nida Uguns Pluss 12,5 mm	m ²	-	-	1,0	-	-	-	-	-	-	-
Plāksne Nida Ūdens Uguns Pluss 12,5 mm	m ²	-	-	-	1,0	-	-	-	-	-	-
Plāksne Nida Cietā 12,5 mm	m ²	-	-	-	-	1,0	-	-	-	-	-
Plāksne Nida Hydro 12,5 mm	m ²	-	-	-	-	-	1,0	-	-	-	-
Plāksne Nida Uguns Pluss 15,0 mm	m ²	-	-	-	-	-	-	1,0	-	-	-
Plāksne Nida Cietā 15,0 mm	m ²	-	-	-	-	-	-	-	1,0	-	-
Plāksne Nida Hydro 15,0 mm	m ²	-	-	-	-	-	-	-	-	1,0	-
Plāksne Nida Uguns Pluss 18,0 mm	m ²	-	-	-	-	-	-	-	-	-	1,0
Profils Nida UAR50	tek.m	2,2	2,2	2,2	2,2	2,2	2,2	2,2	2,2	2,2	2,2
Profils Nida U50	tek.m	0,75	0,75	0,75	0,75	0,75	0,75	0,75	0,75	0,75	0,75
Leņķis Nida UAR50 profilam	gab.	1,5	1,5	1,5	1,5	1,5	1,5	1,5	1,5	1,5	1,5
Skrūve Nida M8	gab.	3,0	3,0	3,0	3,0	3,0	3,0	3,0	3,0	3,0	3,0
Kniedes	gab.	2,8	2,8	2,8	2,8	2,8	2,8	2,8	2,8	2,8	2,8
Tērauda enkurošanas elements (tips atbilstoši būves svaram) ⁴⁾	gab.	7,7	7,7	7,7	7,7	7,7	7,7	7,7	7,7	7,7	7,7
Pašurbjošās skrūves Nida 3,5x25 mm ⁵⁾	gab.	18,0	18,0	18,0	18,0	-	-	18,0	-	-	-
Pašurbjošās skrūves Nida 3,5x35 mm ⁵⁾	gab.	-	-	-	-	-	-	-	-	-	18,0
Pašurbjošās skrūves Nida Cietā 35 (3,9x35 mm) ⁵⁾	gab.	-	-	-	-	18,0	-	-	18,0	-	-
Pašurbjošās skrūves Nida Hydro C4 3,5x25 mm ⁵⁾	gab.	-	-	-	-	-	18,0	-	-	18,0	-
Limente šuvēm Nida	tek.m	1,4	1,4	1,4	1,4	1,4	1,4	1,4	1,4	1,4	1,4
Ģipša špaktele Nida Start	kg	0,3	0,3	0,3	0,3	-	-	0,3	-	-	0,3
Ģipša špaktele Nida Finisz	kg	0,1	0,1	0,1	0,1	-	-	0,1	-	-	0,1
Gatavā špaktele/masa Nida Hydromix ⁶⁾	kg	-	-	-	-	0,4	0,4	-	0,4	0,4	-

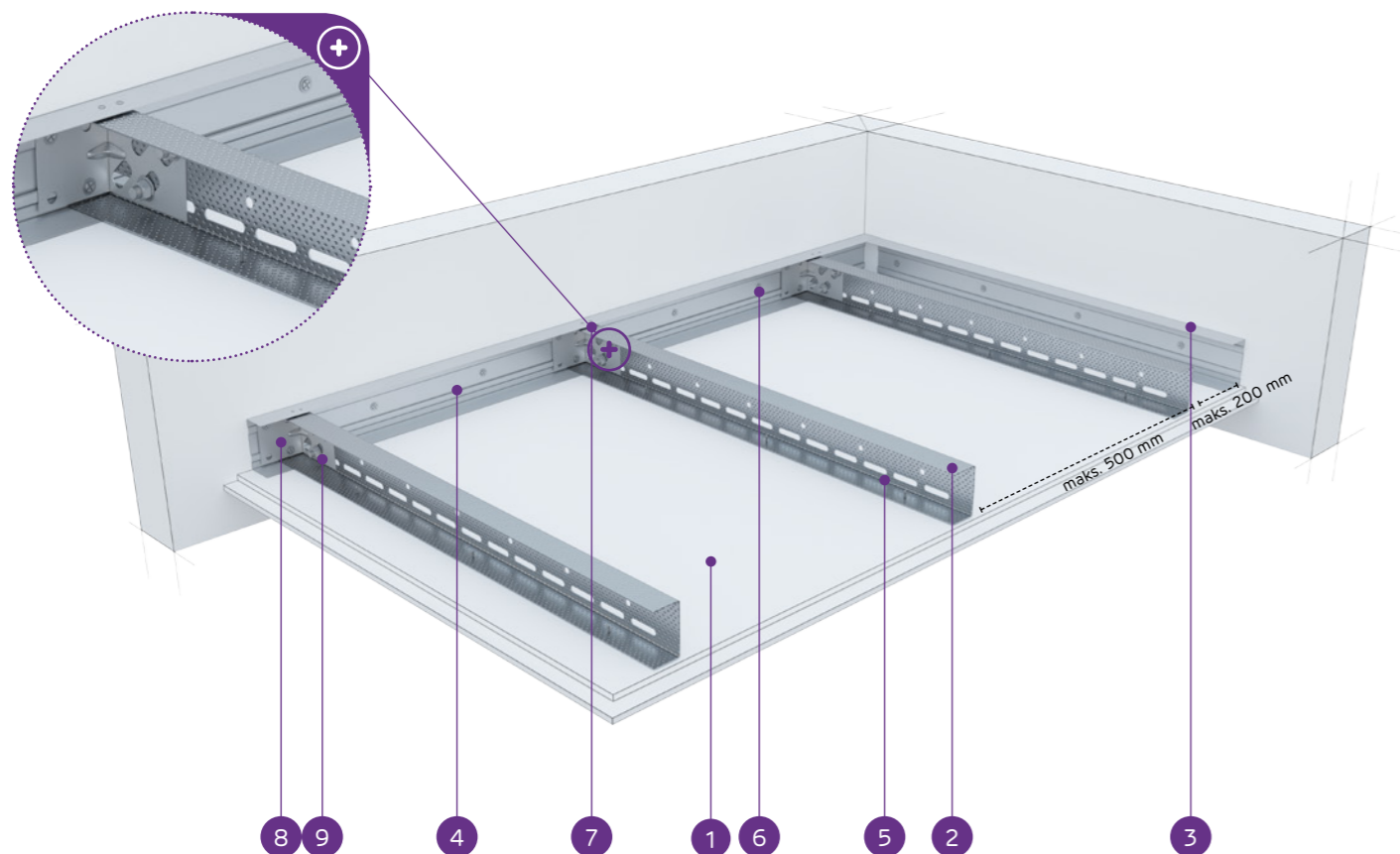
⁴⁾ Enkurošanas elementu tips un skaits jāizvēlas saskaņā ar shēmu, kas iekļauta ITB tehniskajā atzinumā Pašnesošie griesti: ITB 1060/12/R33NK.⁵⁾ Ieteicams izmantot 2 mm pašurbjošās skrūves.⁶⁾ Izmantojot ģipša šķiedru plāksnes Nida Cietā, kā alternatīvu varat izmantot arī Nida Planfix Fresh ģipša špakteļi. Patēriņa standartos nav ņemti vērā materiālie zaudējumi.

nida Griesti

Ugunsizturības
klase:
(R)EI45
(R)EI60Maksimālais
apdares
platums:
3290 mmMinimālais
piekāršanas
augstums:
60 mmBūves svars
1m²:
20,0-35,0 kgSaisītā
dokumenta
numurs:
EN13964:2004+A1Eksploatacijas īpašību deklarācija:
DoP/Ceiling System/0053/15.11.2016

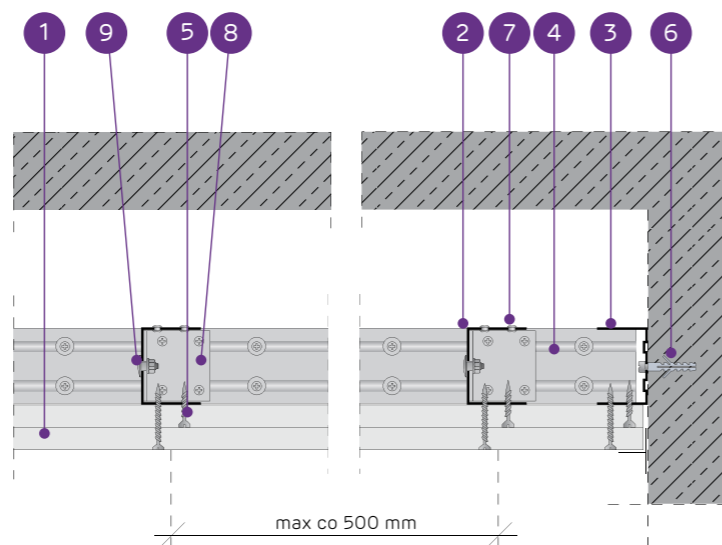
SISTĒMAS:

UAR50/U50/500-25; UAR50/U50/500-30



MATERIĀLI:

1. Ģipškartona plāksnes Nida
2. Nesošais profils Nida UAR 50
3. Konstrukcijas profils Nida U 50
4. Nesošais profils Nida U 50
5. Pašurbjošā skrūve Nida 3,5 x 25 mm
6. Tērauda enkurošanas elements ar Tērauda paplāksni
7. Kniede
8. Leņķis Nida UA profilam
9. Skrūve Nida M8



PAŠNESOŠO GRIESTU SISTĒMA AR NIDA UAR50 KONSTRUKCIJU

TEHNISKIE PARAMETRI

Sistēmas tips Nida Griesti	Režģa konstrukcija				Ģipša plākšņu apšuvums		Minimālais piekāršanas augstums	Būves svars 1 m ²	Ugunsizturības klase ¹⁾	Maksimālais griestu apdares platums ²⁾	Ipašā sistē- ma	
	Nida nesošā profila tips	Nida nesošā perimetra profila tips	Nida konstruk- cijas perimetra profila tips	Maksimālais Nida UAR50 nesošo profilu atstātums	[mm]	Nida						Biezums
UAR50/U50/500-25/Expert	UAR50	U50	U50	500	Expert	2x12,5	85	20,0	-	3290	-	
UAR50/U50/500-25/Ūdens ³⁾	UAR50	U50	U50	500	Ūdens	2x12,5	85	22,0	-	2950	-	
UAR50/U50/500-25/Uguns+	UAR50	U50	U50	500	Uguns Pluss	2x12,5	85	24,0	(R)EI45	2950	-	
UAR50/U50/500-25/ŪdensUguns+	UAR50	U50	U50	500	Ūdens Uguns Pluss	2x12,5	85	24,0	(R)EI45	2950	-	
UAR50/U50/500-25/Cietā	UAR50	U50	U50	500	Cietā	2x12,5	85	30,0	(R)EI45	2690	●	
UAR50/U50/500-25/Hydro	UAR50	U50	U50	500	Hydro	2x12,5	85	26,0	(R)EI45	2690	●	
UAR50/U50/500-30/Uguns+	UAR50	U50	U50	500	Uguns Pluss	2x15,0	90	31,0	(R)EI60	2490	-	
UAR50/U50/500-30/Cietā	UAR50	U50	U50	500	Cietā	2x15,0	90	35,0	(R)EI60	2490	●	
UAR50/U50/500-30/Hydro	UAR50	U50	U50	500	Hydro	2x15,0	90	31,0	(R)EI60	2490	●	

¹⁾ Ugunsdrošības klasifikācija LBO-458-K/17.²⁾ Tehniskais atzinums ITB 1060/12/R33NK.³⁾ Telpās ar relatīvo gaisa mitrumu līdz 85% stūra sekcijās pret intensīvu ūdens iedarbību ieteicams izmantot Nida Hydro ģipša šķiedru plāksnes (horizontālām un vertikālām virsmām vannas, dušas utt. zonās).MATERIĀLU PATĒRIŅŠ UZ 1 M² GRIESTU APBŪVES NIDA GRIESTI SISTĒMĀ

Materiāla nosaukums	Mērv.	Sistēmas tips Nida Griesti									
		UAR50/ U50/500- 25/Expert	UAR50/ U50/500- 25/Ūdens	UAR50/ U50/500- 25/Uguns+	UAR50/ U50/500-25/ ŪdensUguns+	UAR50/ U50/500- 25/Cietā	UAR50/ U50/500- 25/Hydro	UAR50/ U50/500- 30/Uguns+	UAR50/ U50/500- 30/Cietā	UAR50/ U50/500- 30/Hydro	
Materiāla patēriņš uz 1 m ²											
Plāksne Nida Expert 12,5 mm	m ²	2,0	-	-	-	-	-	-	-	-	-
Plāksne Nida Ūdens 12,5 mm	m ²	-	2,0	-	-	-	-	-	-	-	-
Plāksne Nida Uguns Pluss 12,5 mm	m ²	-	-	2,0	-	-	-	-	-	-	-
Plāksne Nida Ūdens Uguns Pluss 12,5 mm	m ²	-	-	-	2,0	-	-	-	-	-	-
Plāksne Nida Cietā 12,5 mm	m ²	-	-	-	-	2,0	-	-	-	-	-
Plāksne Nida Hydro 12,5 mm	m ²	-	-	-	-	-	2,0	-	-	-	-
Plāksne Nida Uguns Pluss 15,0 mm	m ²	-	-	-	-	-	-	2,0	-	-	-
Plāksne Nida Cietā 15,0 mm	m ²	-	-	-	-	-	-	-	2,0	-	-
Plāksne Nida Hydro 15,0 mm	m ²	-	-	-	-	-	-	-	-	2,0	-
Profils Nida UAR50	tek.m	2,2	2,2	2,2	2,2	2,2	2,2	2,2	2,2	2,2	2,2
Profils Nida U50	tek.m	0,75	0,75	0,75	0,75	0,75	0,75	0,75	0,75	0,75	0,75
Leņķis Nida UAR50 profilam	gab.	1,5	1,5	1,5	1,5	1,5	1,5	1,5	1,5	1,5	1,5
Skrūve Nida M8	gab.	3,0	3,0	3,0	3,0	3,0	3,0	3,0	3,0	3,0	3,0
Kniedes	gab.	2,8	2,8	2,8	2,8	2,8	2,8	2,8	2,8	2,8	2,8
Tērauda enkurošanas elements (tips atbilstoši būves svaram) ⁴⁾	gab.	7,7	7,7	7,7	7,7	7,7	7,7	7,7	7,7	7,7	7,7
Pašurbjošās skrūves Nida 3,5x25 mm ⁵⁾	gab.	6,0	6,0	6,0	6,0	-	-	6,0	-	-	-
Pašurbjošās skrūves Nida 3,5x35 mm ⁵⁾	gab.	18,0	18,0	18,0	18,0	-	-	-	-	-	-
Pašurbjošās skrūves Nida 3,5x45 mm ⁵⁾	gab.	-	-	-	-	-	-	18,0	-	-	-
Pašurbjošās skrūves Nida Cietā 35 (3,9x35 mm) ⁵⁾	gab.	-	-	-	-	24,0	-	-	6,0	-	-
Pašurbjošās skrūves Nida Cietā 45 (3,9x45 mm) ⁵⁾	gab.	-	-	-	-	-	-	-	18,0	-	-
Pašurbjošās skrūves Nida Hydro C4 3,5x25 mm ⁵⁾	gab.	-	-	-	-	-	6,0	-	-	6,0	-
Pašurbjošās skrūves Nida Hydro C4 3,5x41 mm ⁵⁾	gab.	-	-	-	-	-	18,0	-	-	18,0	-
Līm lente šuvēm Nida	tek.m	1,4	1,4	1,4	1,4	1,4	1,4	1,4	1,4	1,4	1,4
Ģipša špaktele Nida Start	kg	0,6	0,6	0,6	0,6	-	-	0,6	-	-	-
Ģipša špaktele Nida Finisz	kg	0,1	0,1	0,1	0,1	-	-	0,1	-	-	-
Gatavā špakteļmasa Nida Hydromix ⁶⁾	kg	-	-	-	-	0,7	0,7	-	0,7	0,7	0,7

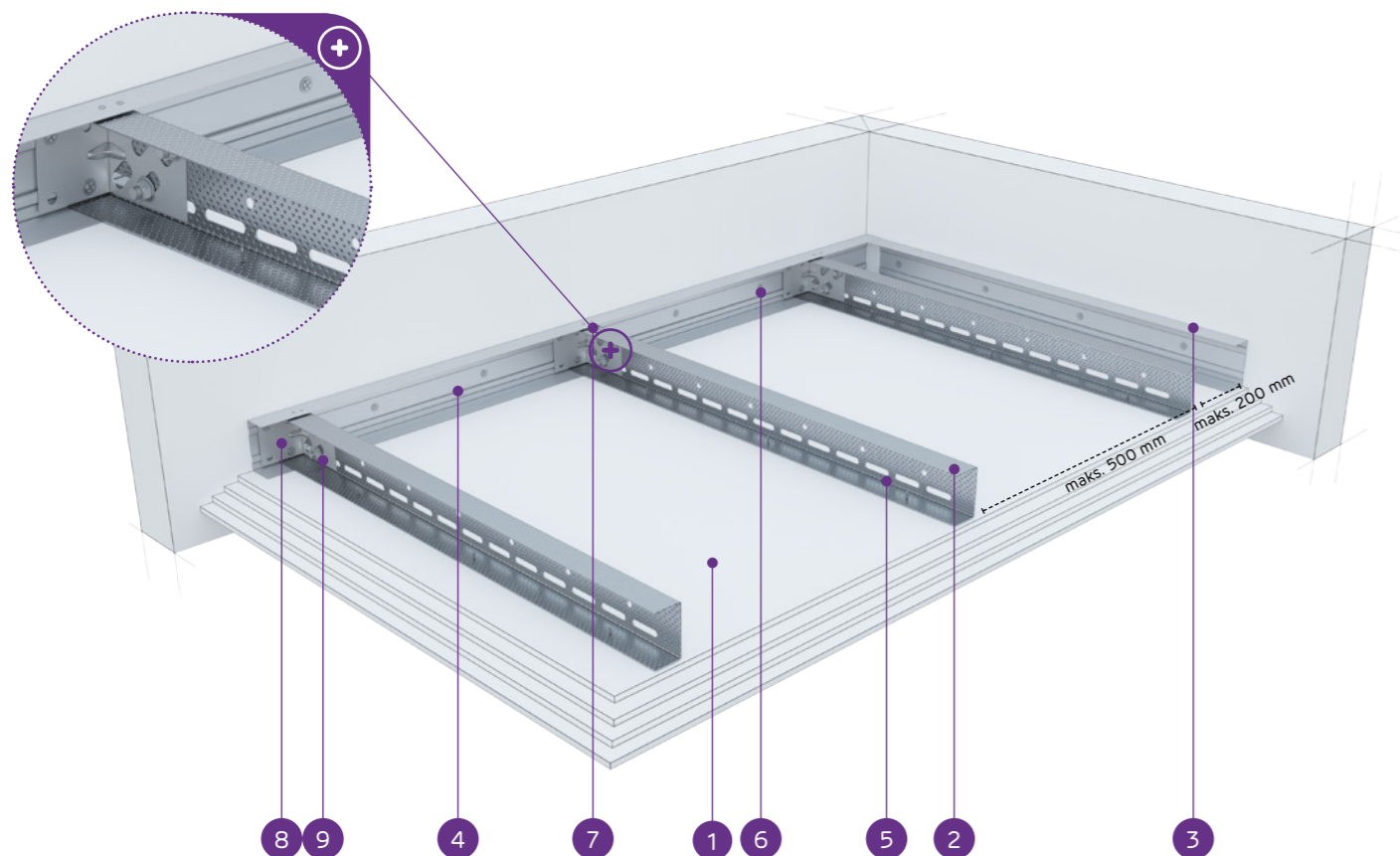
⁴⁾ Enkurošanas elementu tips un skaits jāizvēlas saskaņā ar shēmu, kas iekļauta ITB tehniskajā atzinumā Pašnesošie griesti: ITB 1060/12/R33NK.⁵⁾ Ieteicams izmantot 2 mm pašurbjošās skrūves.⁶⁾ Izmantojot ģipša šķiedru plāksnes Nida Cietā, kā alternatīvu varat izmantot arī Nida Planfix Fresh ģipša špakteli. Patēriņa standartos nav ņemti vērā materiālie zaudējumi.

nida Griesti

Ugunsizturības
klase:
(R)EI60
(R)EI90
(R)EI120Maksimālais
apdares
platums:
2490 mmMinimālais
piekāršanas
augstums:
60 mmBūves svars
1m²:
35,0-67,0 kgSaisītā
dokumenta
numurs:
EN13964:2004+A1Eksploatacijas īpašību deklarācija:
DoP/Ceiling System/0053/15.11.2016

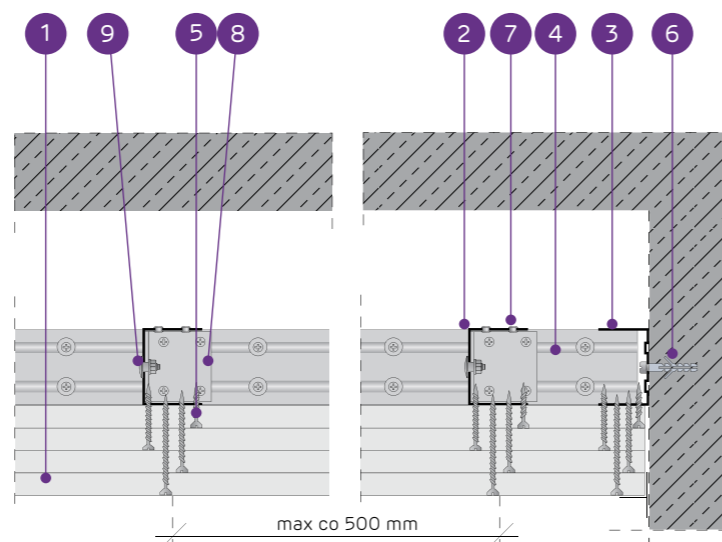
SISTĒMAS:

UAR50/U50/500-37,5; UAR50/U50/500-40; UAR50/U50/500-60



MATERIĀLI:

1. Ģipškartona plāksnes Nida
2. Nesošais profils Nida UAR 50
3. Konstrukcijas profils Nida U 50
4. Nesošais profils Nida U 50
5. Pašurbjošā skrūve Nida 3,5 x 25 mm
6. Tērauda enkurošanas elements ar Tērauda paplāksni
7. Kniede
8. Leņķis Nida UA profilam
9. Skrūve Nida M8



PAŠNESOŠO GRIESTU SISTĒMA AR NIDA UAR50 KONSTRUKCIJU

TEHNISKIE PARAMETRI

Sistēmas tips Nida Griesti	Režģa konstrukcija				Ģipša plāksņu apšuvums		Minimālais piekāršanas augstums	Būves svars 1 m ²	Ugunsizturības klase ¹⁾	Maksimālais griestu apdares platums ²⁾	Īpašā sistē- ma
	Nida nesošā profila tips	Nida nesošā perimetra profila tips	Nida konstrukci- jas perimetra profila tips	Maksimālais Nida UAR50 nesošo profilu atstatums	Ģipša plāksņu apšuvums						
					Nida	Biezums					
UAR50/U50/500-37,5/Uguns+	UAR50	U50	U50	500	Uguns Plus	3x12,5	97,5	35,0	(R)EI60	2490	-
UAR50/U50/500-37,5/ŪdensUguns+	UAR50	U50	U50	500	Ūdens Uguns Plus	3x12,5	97,5	35,0	(R)EI60	2490	-
UAR50/U50/500-37,5/Cietā	UAR50	U50	U50	500	Cietā	3x12,5	97,5	43,0	(R)EI60	2200	●
UAR50/U50/500-37,5/Hydro	UAR50	U50	U50	500	Hydro	3x12,5	97,5	37,0	(R)EI60	2330	●
UAR50/U50/500-40/Uguns+	UAR50	U50	U50	500	Uguns Plus	2x12,5+15,0	100	38,0	(R)EI90	2330	-
UAR50/U50/500-40/Cietā	UAR50	U50	U50	500	Cietā	2x12,5+15,0	100	46,0	(R)EI90	2080	●
UAR50/U50/500-40/Hydro	UAR50	U50	U50	500	Hydro	2x12,5+15,0	100	40,0	(R)EI90	2330	●
UAR50/U50/500-60/Uguns+	UAR50	U50	U50	500	Uguns Plus	4x15,0	120	59,0	(R)EI120	1900	-
UAR50/U50/500-60/Cietā	UAR50	U50	U50	500	Cietā	4x15,0	120	67,0	(R)EI120	1760	●
UAR50/U50/500-60/Hydro	UAR50	U50	U50	500	Hydro	4x15,0	120	59,0	(R)EI120	1900	●

¹⁾ Ugunsdrošības klasifikācija LBO-458-K/17.²⁾ Tehniskais atzinums ITB 1060/12/R33NK.MATERIĀLU PATĒRIŅŠ UZ 1 M² GRIESTU APBŪVES NIDA GRIESTI SISTĒMĀ

Materiāla nosaukums	Mērv.	Sistēmas tips Nida Griesti									
		UAR50/ U50/500- 37,5/Uguns+	UAR50/ U50/500- 37,5/ ŪdensUguns+	UAR50/ U50/500- 37,5/Cietā	UAR50/ U50/500- 37,5/Hydro	UAR50/ U50/500- 40/Uguns+	UAR50/ U50/500- 40/Cietā	UAR50/ U50/500- 40/Hydro	UAR50/ U50/500- 60/Uguns+	UAR50/ U50/500- 60/Cietā	UAR50/ U50/500- 60/Hydro
		Materiāla patēriņš uz 1 m ²									
Plāksne Nida Uguns Plus 12,5 mm	m ²	3,0	-	-	-	2,0	-	-	-	-	-
Plāksne Nida Ūdens Uguns Plus 12,5 mm	m ²	-	3,0	-	-	-	-	-	-	-	-
Plāksne Nida Cietā 12,5 mm	m ²	-	-	3,0	-	-	2,0	-	-	-	-
Plāksne Nida Hydro 12,5 mm	m ²	-	-	-	3,0	-	2,0	-	-	-	-
Plāksne Nida Uguns Plus 15,0 mm	m ²	-	-	-	-	1,0	-	-	4,0	-	-
Plāksne Nida Cietā 15,0 mm	m ²	-	-	-	-	-	1,0	-	-	4,0	-
Plāksne Nida Hydro 15,0 mm	m ²	-	-	-	-	-	-	1,0	-	-	4,0
Profils Nida C50	tek.m	2,2	2,2	2,2	2,2	2,2	2,2	2,2	2,2	2,2	2,2
Profils Nida U50	tek.m	0,75	0,75	0,75	0,75	0,75	0,75	0,75	0,75	0,75	0,75
Leņķis Nida UAR50 profilam	gab.	1,5	1,5	1,5	1,5	1,5	1,5	1,5	1,5	1,5	1,5
Skrūve Nida M8	gab.	3,0	3,0	3,0	3,0	3,0	3,0	3,0	3,0	3,0	3,0
Kniedes	gab.	2,8	2,8	2,8	2,8	2,8	2,8	2,8	2,8	2,8	2,8
Tērauda enkurošanas elements (tips atbilstoši būves svaram) ³⁾	gab.	7,7	7,7	7,7	7,7	7,7	7,7	7,7	7,7	7,7	7,7
Pašurbjošās skrūves Nida 3,5x25 mm ⁴⁾	gab.	6,0	6,0	-	-	6,0	-	-	6,0	-	-
Pašurbjošās skrūves Nida 3,5x35 mm ⁴⁾	gab.	6,0	6,0	-	-	6,0	-	-	-	-	-
Pašurbjošās skrūves Nida 3,5x45 mm ⁴⁾	gab.	-	-	-	-	-	-	-	6,0	-	-
Pašurbjošās skrūves Nida 3,5x55 mm ⁴⁾	gab.	18,0	18,0	-	-	18,0	-	-	6,0	-	-
Pašurbjošās skrūves Nida 4,2x70 mm ⁴⁾	gab.	-	-	-	-	-	-	-	18,0	-	-
Pašurbjošās skrūves Nida Cietā 35 (3,9x35 mm) ⁴⁾	gab.	-	-	12,0	-	-	12,0	-	-	6,0	-
Pašurbjošās skrūves Nida Cietā 45 (3,9x45 mm) ⁴⁾	gab.	-	-	-	-	-	-	-	-	6,0	-
Pašurbjošās skrūves Nida Cietā 55 (3,9x55 mm) ⁴⁾	gab.	-	-	18,0	-	-	18,0	-	-	6,0	-
Pašurbjošās skrūves Nida Cietā 70 (4,2x70 mm) ⁴⁾	gab.	-	-	-	-	-	-	-	-	18,0	-
Pašurbjošās skrūves Nida Hydro C4 3,5x25 mm ⁴⁾	gab.	-	-	-	6,0	-	-	6,0	-	-	6,0
Pašurbjošās skrūves Nida Hydro C4 3,5x41 mm ⁴⁾	gab.	-	-	-	6,0	-	-	6,0	-	-	6,0
Pašurbjošās skrūves Nida Hydro C4 3,5x55 mm ⁴⁾	gab.	-	-	-	18,0	-	-	18,0	-	-	6,0
Pašurbjošās skrūves Nida Hydro C4 4,2x70 mm ⁴⁾	gab.	-	-	-	-	-	-	-	-	-	18,0
Limlente šuvēm Nida	tek.m	1,4	1,4	1,4	1,4	1,4	1,4	1,4	1,4	1,4	1,4
Ģipša špaktele Nida Start	kg	0,9	0,9	-	-	0,9	-	-	1,2	-	-
Ģipša špaktele Nida Finisz	kg	0,1	0,1	-	-	0,1	-	-	0,1	-	-
Gatavā špaktelmasa Nida Hydromix ⁵⁾	kg	-	-	1,0	1,0	-	1,0	1,0	-	1,3	1,3

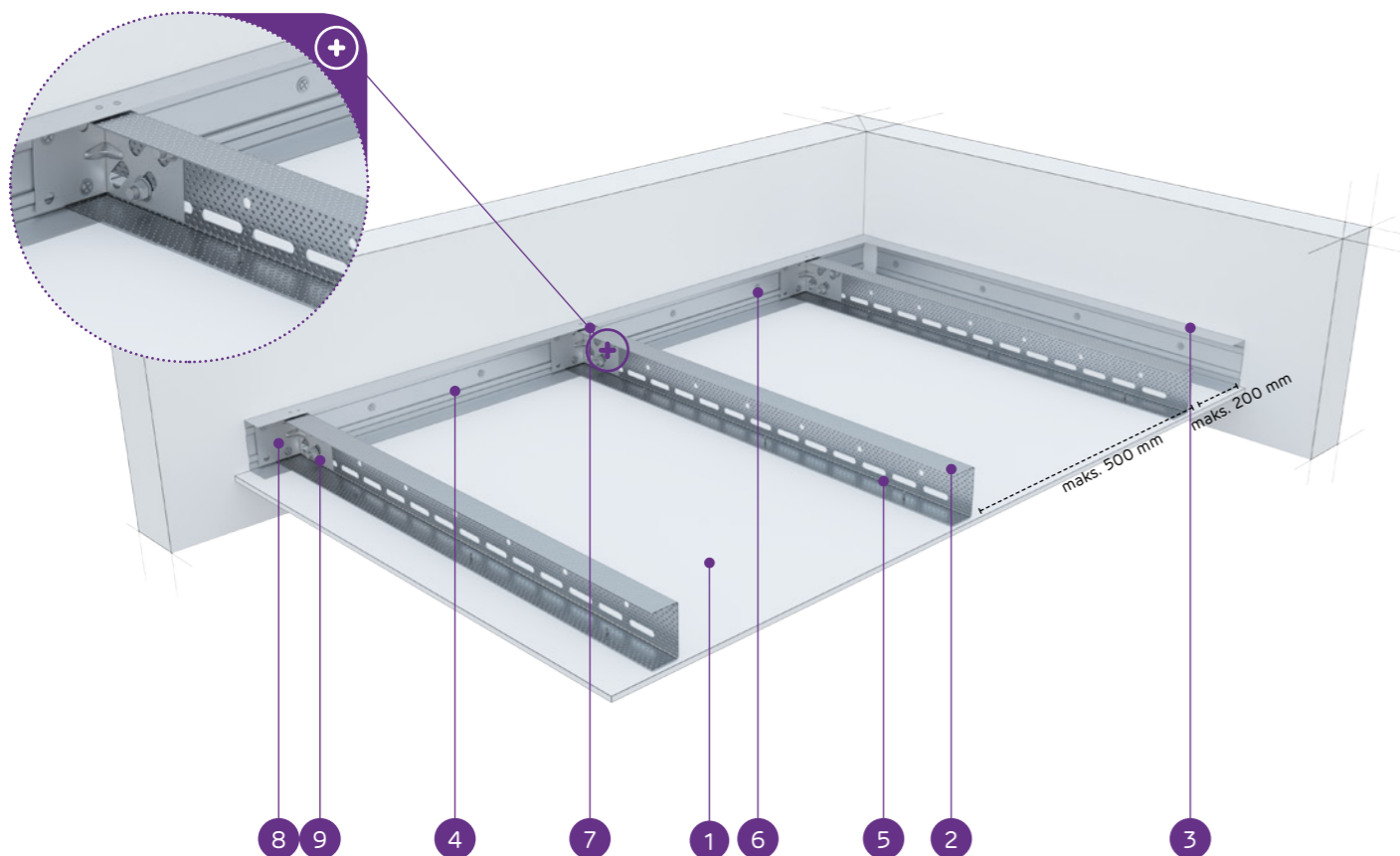
³⁾ Enkurošanas elementu tips un skaits jāizvēlas saskaņā ar shēmu, kas iekļauta ITB tehniskajā atzinumā Pašnesošie griesti: ITB 1060/12/R33NK.⁴⁾ Ieteicams izmantot 2 mm pašurbjošās skrūves.⁵⁾ Izmantojot ģipša šķiedru plāksnes Nida Cietā, kā alternatīvu varat izmantot arī Nida Planfix Fresh ģipša špakтели. Patēriņa standartos nav ņemti vērā materiālie zaudējumi.

nida Griesti

Ugunsizturības
klase:
(R)EI15Maksimālais
apdares
platums:
5370 mmMinimālais
piekāršanas
augstums:
85 mmBūves svars
1m²:
13,0-20,0 kgSaisītā
dokumenta
numurs:
EN13964:2004+A1Eksploatacijas īpašību deklarācija:
DoP/Ceiling System/0055/15.11.2016

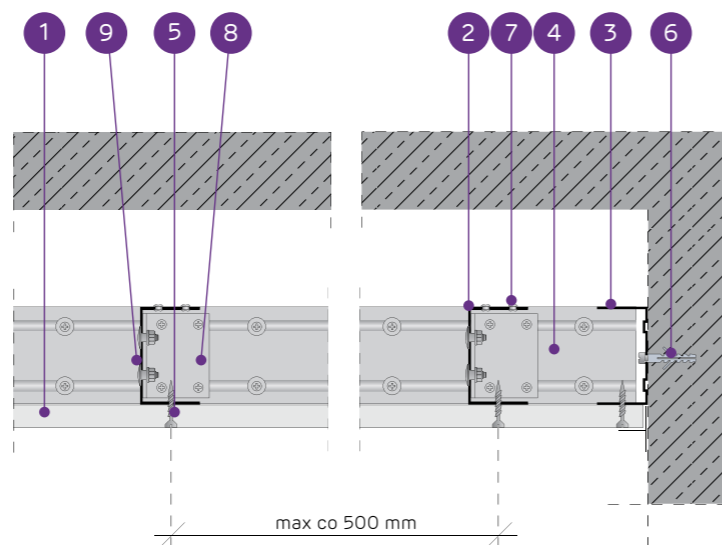
SISTĒMAS:

UAR75/U75/500-12,5; UAR75/U75/500-15; UAR75/U75/500-18



MATERIĀLI:

1. Ģipškartona plāksnes Nida
2. Nesošais profils Nida UAR 75
3. Konstrukcijas profils Nida U 75
4. Nesošais profils Nida U 75
5. Pašurbjošā skrūve Nida 3,5 x 25 mm
6. Tērauda enkurošanas elements ar Tērauda paplāksni
7. Kniede
8. Leņķis Nida UA profilam
9. Skrūve Nida M8



PAŠNESOŠO GRIESTU SISTĒMA AR NIDA UAR75 KONSTRUKCIJU

TEHNISKIE PARAMETRI

Sistēmas tips Nida Griesti	Režģa konstrukcija				Ģipša plākšņu apšuvums		Minimālais piekāršanas augstums	Būves svars 1 m ²	Ugunsizturības klase ¹⁾	Maksimālais griestu apdares platums ²⁾	Īpašā sistē- ma
	Nida nesošā profila tips	Nida nesošā perimetra profila tips	Nida konstruk- cijas perimetra profila tips	Maksimālais Nida UAR75 nesošo profilu atstatums [mm]	Nida	Biezums					
UAR75/U75/500-12,5/Expert	UAR75	U75	U75	500	Expert	12,5	97,5	13,0	-	5370	-
UAR75/U75/500-12,5/Ūdens ³⁾	UAR75	U75	U75	500	Ūdens	12,5	97,5	14,0	-	5370	-
UAR75/U75/500-12,5/Uguns+	UAR75	U75	U75	500	Uguns Pluss	12,5	97,5	15,0	(R)EI15	5370	-
UAR75/U75/500-12,5/ŪdensUguns+	UAR75	U75	U75	500	Ūdens Uguns Pluss	12,5	97,5	15,0	(R)EI15	5370	-
UAR75/U75/500-12,5/Cietā	UAR75	U75	U75	500	Cietā	12,5	97,5	18,0	(R)EI15	4650	●
UAR75/U75/500-12,5/Hydro	UAR75	U75	U75	500	Hydro	12,5	97,5	16,0	(R)EI15	4650	●
UAR75/U75/500-15/Uguns+	UAR75	U75	U75	500	Uguns Pluss	15,0	100	18,0	(R)EI15	4650	-
UAR75/U75/500-15/Cietā	UAR75	U75	U75	500	Cietā	15,0	100	20,0	(R)EI15	4650	●
UAR75/U75/500-15/Hydro	UAR75	U75	U75	500	Hydro	15,0	100	18,0	(R)EI15	4650	●
UAR75/U75/500-18/Uguns+	UAR75	U75	U75	500	Uguns Pluss	18,0	103	19,0	(R)EI30	4650	-

¹⁾ Ugunsdrošības klasifikācija LBO-458-K/17.²⁾ Tehniskais atzinums ITB 1060/12/R33NK.³⁾ Telpās ar relatīvo gaisa mitrumu līdz 85 % stūra sekcijās pret intensīvu ūdens iedarbību ieteicams izmantot Nida Hydro ģipša šķiedru plāksnes (horizontālām un vertikālām virsmām vannas, dušas utt. zonās).MATERIĀLU PATĒRIŅŠ UZ 1 M² GRIESTU APBŪVES NIDA GRIESTI SISTĒMĀ

Materiāla nosaukums	Mērv.	Sistēmas tips Nida Griesti									
		UAR75/ U75/500- 12,5/Expert	UAR75/ U75/500- 12,5/Ūdens	UAR75/ U75/500- 12,5/Uguns+	UAR75/ U75/500-12,5/ ŪdensUguns+	UAR75/ U75/500- 12,5/Cietā	UAR75/ U75/500- 12,5/Hydro	UAR75/ U75/500- 15/Uguns+	UAR75/ U75/500- 15/Cietā	UAR75/ U75/500- 15/Hydro	UAR75/ U75/500- 18/Uguns+
Materiālu patēriņš uz 1 m ²											
Plāksne Nida Expert 12,5 mm	m ²	1,0	-	-	-	-	-	-	-	-	-
Plāksne Nida Ūdens 12,5 mm	m ²	-	1,0	-	-	-	-	-	-	-	-
Plāksne Nida Uguns Pluss 12,5 mm	m ²	-	-	1,0	-	-	-	-	-	-	-
Plāksne Nida Ūdens Uguns Pluss 12,5 mm	m ²	-	-	-	1,0	-	-	-	-	-	-
Plāksne Nida Cietā 12,5 mm	m ²	-	-	-	-	1,0	-	-	-	-	-
Plāksne Nida Hydro 12,5 mm	m ²	-	-	-	-	-	1,0	-	-	-	-
Plāksne Nida Uguns Pluss 15,0 mm	m ²	-	-	-	-	-	-	1,0	-	-	-
Plāksne Nida Cietā 15,0 mm	m ²	-	-	-	-	-	-	-	1,0	-	-
Plāksne Nida Hydro 15,0 mm	m ²	-	-	-	-	-	-	-	-	1,0	-
Plāksne Nida Uguns Pluss 18,0 mm	m ²	-	-	-	-	-	-	-	-	-	1,0
Profils Nida UAR75	tek.m	2,2	2,2	2,2	2,2	2,2	2,2	2,2	2,2	2,2	2,2
Profils Nida U75	tek.m	0,75	0,75	0,75	0,75	0,75	0,75	0,75	0,75	0,75	0,75
Leņķis Nida UAR75 profilam	gab.	1,5	1,5	1,5	1,5	1,5	1,5	1,5	1,5	1,5	1,5
Skrūve Nida M8	gab.	3,0	3,0	3,0	3,0	3,0	3,0	3,0	3,0	3,0	3,0
Kniedes	gab.	2,8	2,8	2,8	2,8	2,8	2,8	2,8	2,8	2,8	2,8
Tērauda enkurošanas elements (tips atbilstoši būves svaram) ⁴⁾	gab.	7,7	7,7	7,7	7,7	7,7	7,7	7,7	7,7	7,7	7,7
Pašurbjošās skrūves Nida 3,5x25 mm ⁵⁾	gab.	18,0	18,0	18,0	18,0	-	-	18,0	-	-	-
Pašurbjošās skrūves Nida 3,5x35 mm ⁵⁾	gab.	-	-	-	-	-	-	-	-	-	18,0
Pašurbjošās skrūves Nida Cietā 35 (3,9x35 mm) ⁵⁾	gab.	-	-	-	-	18,0	-	-	18,0	-	-
Pašurbjošās skrūves Nida Hydro C4 3,5x25 mm ⁵⁾	gab.	-	-	-	-	-	18,0	-	-	18,0	-
Limlente šuvēm Nida	tek.m	1,4	1,4	1,4	1,4	1,4	1,4	1,4	1,4	1,4	1,4
Ģipša špaktele Nida Start	kg	0,3	0,3	0,3	0,3	-	-	0,3	-	-	0,3
Ģipša špaktele Nida Finisz	kg	0,1	0,1	0,1	0,1	-	-	0,1	-	-	0,1
Gatavā špaktelmasa Nida Hydromix ⁶⁾	kg	-	-	-	-	0,4	0,4	-	0,4	0,4	-

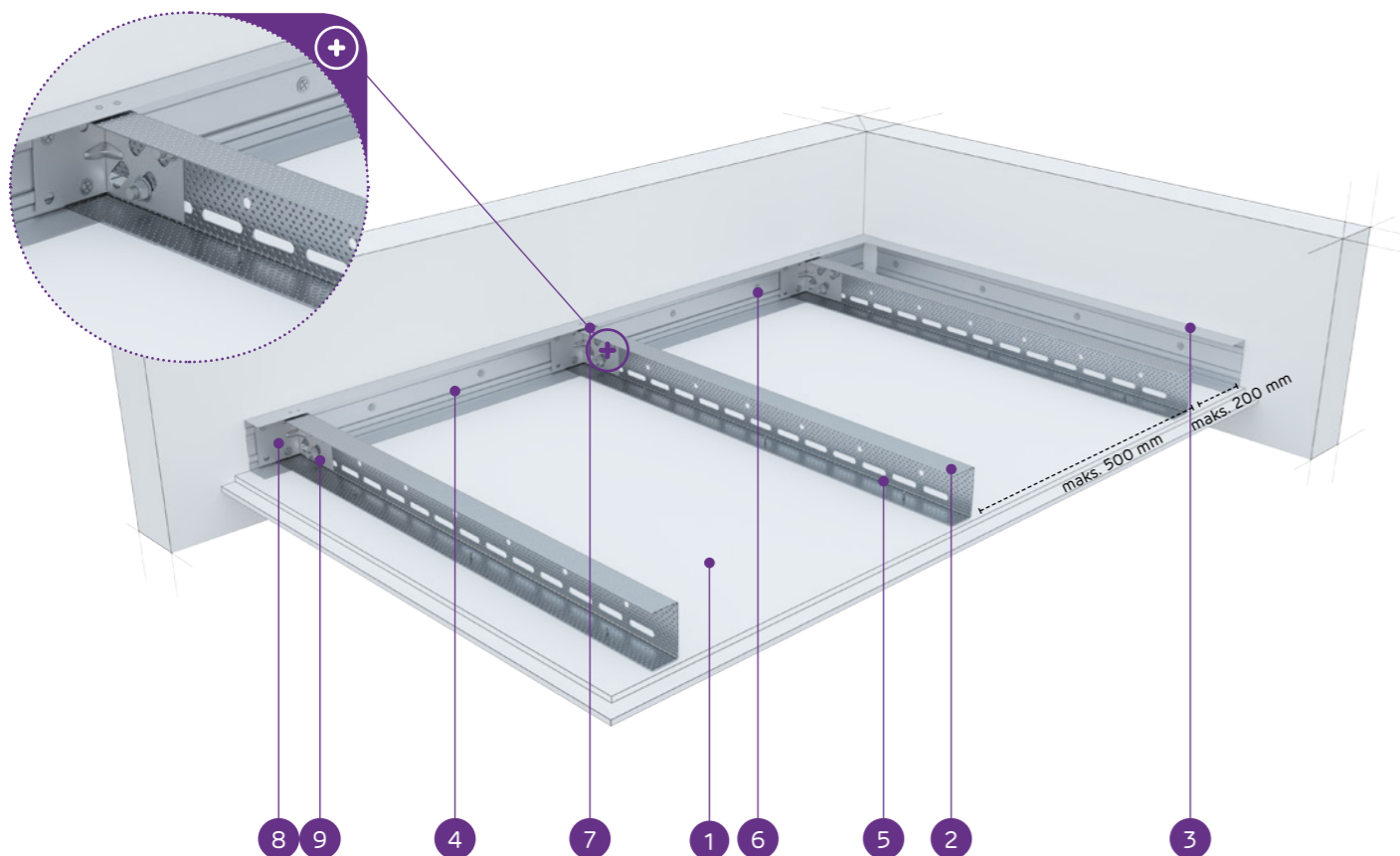
⁴⁾ Enkurošanas elementu tips un skaits jāizvēlas saskaņā ar shēmu, kas iekļauta ITB tehniskajā atzinumā Pašnesošie griesti: ITB 1060/12/R33NK.⁵⁾ Ieteicams izmantot 2 mm pašurbjošās skrūves.⁶⁾ Izmantojot ģipša šķiedru plāksnes Nida Cietā, kā alternatīvu varat izmantot arī Nida Planfix Fresh ģipša špakteļi. Patēriņa standartos nav ņemti vērā materiālie zaudējumi.

nida Griesti

Ugunsizturības
klase:
(R)EI45
(R)EI60Maksimālais
apdares
platums:
4120 mmMinimālais
piekāršanas
augstums:
85 mmBūves svars
1m²:
21,0-36,0 kgSaistītā
dokumenta
numurs:
EN13964:2004+A1Eksploatacijas īpašību deklarācija:
DoP/Ceiling System/0055/15.11.2016

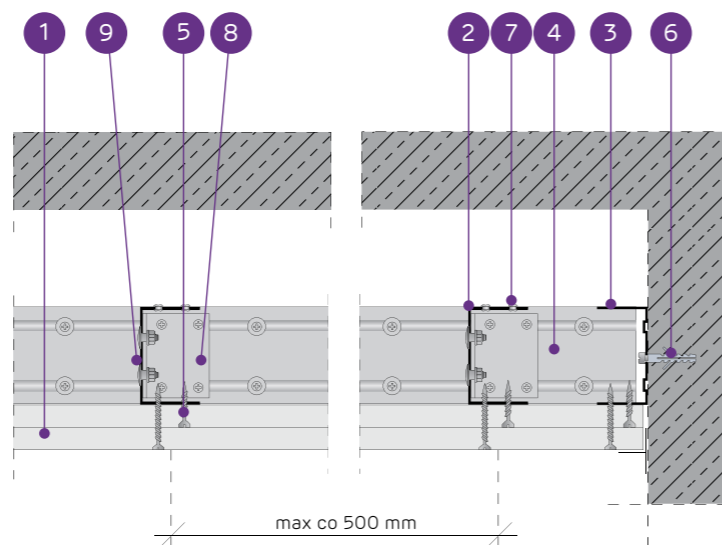
SISTĒMAS:

UAR75/U75/500-25; UAR75/U75/500-30



MATERIĀLI:

1. Ģipškartona plāksnes Nida
2. Nesošais profils Nida UAR 75
3. Konstrukcijas profils Nida U 75
4. Nesošais profils Nida U 75
5. Pašurbjošā skrūve Nida 3,5 x 25 mm
6. Tērauda enkurošanas elements ar Tērauda paplāksni
7. Kniede
8. Leņķis Nida UA profilam
9. Skrūve Nida M8



PAŠNESOŠO GRIESTU SISTĒMA AR NIDA UAR75 KONSTRUKCIJU

TEHNISKIE PARAMETRI

Sistēmas tips Nida Griesti	Režģa konstrukcija				Ģipša plāksņu apšuvums		Minimālais piekāršanas augstums	Būves svars 1 m ²	Ugunsizturības klase ¹⁾	Maksimālais griestu apdares platums ²⁾	Īpašā sistē- ma
	Nida nesošā profila tips	Nida nesošā perimetra profila tips	Nida konstruk- cijas perimetra profila tips	Maksimālais Nida UAR75 nesošo profilu atstatums [mm]	Nida	Biezums					
UAR75/U75/500-25/Expert	UAR75	U75	U75	500	Expert	2x12,5	110	21,0	-	4120	-
UAR75/U75/500-25/Ūdens ³⁾	UAR75	U75	U75	500	Ūdens	2x12,5	110	23,0	-	4120	-
UAR75/U75/500-25/Uguns+	UAR75	U75	U75	500	Uguns Plus	2x12,5	110	25,0	(R)EI45	4120	-
UAR75/U75/500-25/ŪdensUguns+	UAR75	U75	U75	500	Ūdens Uguns Plus	2x12,5	110	25,0	(R)EI45	4120	-
UAR75/U75/500-25/Cietā	UAR75	U75	U75	500	Cietā	2x12,5	110	31,0	(R)EI45	3480	●
UAR75/U75/500-25/Hydro	UAR75	U75	U75	500	Hydro	2x12,5	110	27,0	(R)EI45	3760	●
UAR75/U75/500-30/Uguns+	UAR75	U75	U75	500	Uguns Plus	2x15,0	115	32,0	(R)EI60	3480	-
UAR75/U75/500-30/Cietā	UAR75	U75	U75	500	Cietā	2x15,0	115	36,0	(R)EI60	3260	●
UAR75/U75/500-30/Hydro	UAR75	U75	U75	500	Hydro	2x15,0	115	32,0	(R)EI60	3480	●

¹⁾ Ugunsdrošības klasifikācija LBO-458-K/17.²⁾ Tehniskais atzinums ITB 1060/12/R33NK.³⁾ Telpās ar relatīvo gaisa mitrumu līdz 85% stūra sekcijās pret intensīvu ūdens iedarbību ieteicams izmantot Nida Hydro ģipša šķiedru plāksnes (horizontālām un vertikālām virsmām vannas, dušas utt. zonās).MATERIĀLU PATĒRIŅŠ UZ 1 M² GRIESTU APBŪVES NIDA GRIESTI SISTĒMĀ

Materiāla nosaukums	Mērv.	Sistēmas tips Nida Griesti									
		UAR75/ U75/500- 25/Expert	UAR75/ U75/500- 25/Ūdens	UAR75/ U75/500- 25/Uguns+	UAR75/ U75/500-25/ ŪdensUguns+	UAR75/ U75/500- 25/Cietā	UAR75/ U75/500- 25/Hydro	UAR75/ U75/500- 30/Uguns+	UAR75/ U75/500- 30/Cietā	UAR75/ U75/500- 30/Hydro	
Materiāla patēriņš uz 1 m ²											
Plāksne Nida Expert 12,5 mm	m ²	2,0	-	-	-	-	-	-	-	-	-
Plāksne Nida Ūdens 12,5 mm	m ²	-	2,0	-	-	-	-	-	-	-	-
Plāksne Nida Uguns Plus 12,5 mm	m ²	-	-	2,0	-	-	-	-	-	-	-
Plāksne Nida Ūdens Uguns Plus 12,5 mm	m ²	-	-	-	2,0	-	-	-	-	-	-
Plāksne Nida Cietā 12,5 mm	m ²	-	-	-	-	2,0	-	-	-	-	-
Plāksne Nida Hydro 12,5 mm	m ²	-	-	-	-	-	2,0	-	-	-	-
Plāksne Nida Uguns Plus 15,0 mm	m ²	-	-	-	-	-	-	2,0	-	-	-
Plāksne Nida Cietā 15,0 mm	m ²	-	-	-	-	-	-	-	2,0	-	-
Plāksne Nida Hydro 15,0 mm	m ²	-	-	-	-	-	-	-	-	-	2,0
Profils Nida UAR75	tek.m	2,2	2,2	2,2	2,2	2,2	2,2	2,2	2,2	2,2	2,2
Profils Nida U75	tek.m	0,75	0,75	0,75	0,75	0,75	0,75	0,75	0,75	0,75	0,75
Leņķis Nida UAR75 profilam	gab.	1,5	1,5	1,5	1,5	1,5	1,5	1,5	1,5	1,5	1,5
Skrūve Nida M8	gab.	3,0	3,0	3,0	3,0	3,0	3,0	3,0	3,0	3,0	3,0
Kniedes	gab.	2,8	2,8	2,8	2,8	2,8	2,8	2,8	2,8	2,8	2,8
Tērauda enkurošanas elements (tips atbilstoši būves svaram) ⁴⁾	gab.	7,7	7,7	7,7	7,7	7,7	7,7	7,7	7,7	7,7	7,7
Pašurbjošās skrūves Nida 3,5x25 mm ⁵⁾	gab.	6,0	6,0	6,0	6,0	-	-	6,0	-	-	-
Pašurbjošās skrūves Nida 3,5x35 mm ⁵⁾	gab.	18,0	18,0	18,0	18,0	-	-	-	-	-	-
Pašurbjošās skrūves Nida 3,5x45 mm ⁵⁾	gab.	-	-	-	-	-	-	-	18,0	-	-
Pašurbjošās skrūves Nida Cietā 35 (3,9x35 mm) ⁵⁾	gab.	-	-	-	-	24,0	-	-	-	6,0	-
Pašurbjošās skrūves Nida Cietā 45 (3,9x45 mm) ⁵⁾	gab.	-	-	-	-	-	-	-	-	-	18,0
Pašurbjošās skrūves Nida Hydro C4 3,5x25 mm ⁵⁾	gab.	-	-	-	-	-	-	6,0	-	-	6,0
Pašurbjošās skrūves Nida Hydro C4 3,5x41 mm ⁵⁾	gab.	-	-	-	-	-	-	18,0	-	-	18,0
Līmīte šuvēm Nida	tek.m	1,4	1,4	1,4	1,4	1,4	1,4	1,4	1,4	1,4	1,4
Ģipša špaktele Nida Start	kg	0,6	0,6	0,6	0,6	-	-	-	0,6	-	-
Ģipša špaktele Nida Finisz	kg	0,1	0,1	0,1	0,1	-	-	-	0,1	-	-
Gatavā špaktelmasa Nida Hydromix ⁶⁾	kg	-	-	-	-	0,7	0,7	-	-	0,7	0,7

⁴⁾ Enkurošanas elementu tips un skaits jāizvēlas saskaņā ar shēmu, kas iekļauta ITB tehniskajā atzinumā Pašnesošie griesti: ITB 1060/12/R33NK.⁵⁾ Ieteicams izmantot 2 mm pašurbjošās skrūves.⁶⁾ Izmantojot ģipša šķiedru plāksnes Nida Cietā, kā alternatīvu varat izmantot arī Nida Planfix Fresh ģipša špakteļi. Patēriņa standartos nav ņemti vērā materiālie zaudējumi.

nida Griesti

Ugunsizturības
klase:(R)EI60
(R)EI90
(R)EI120Maksimālais
apdares
platums:

3480 mm

Minimālais
piekāršanas
augstums:

85 mm

Būves svars
1m²:

35,0-67,0 kg

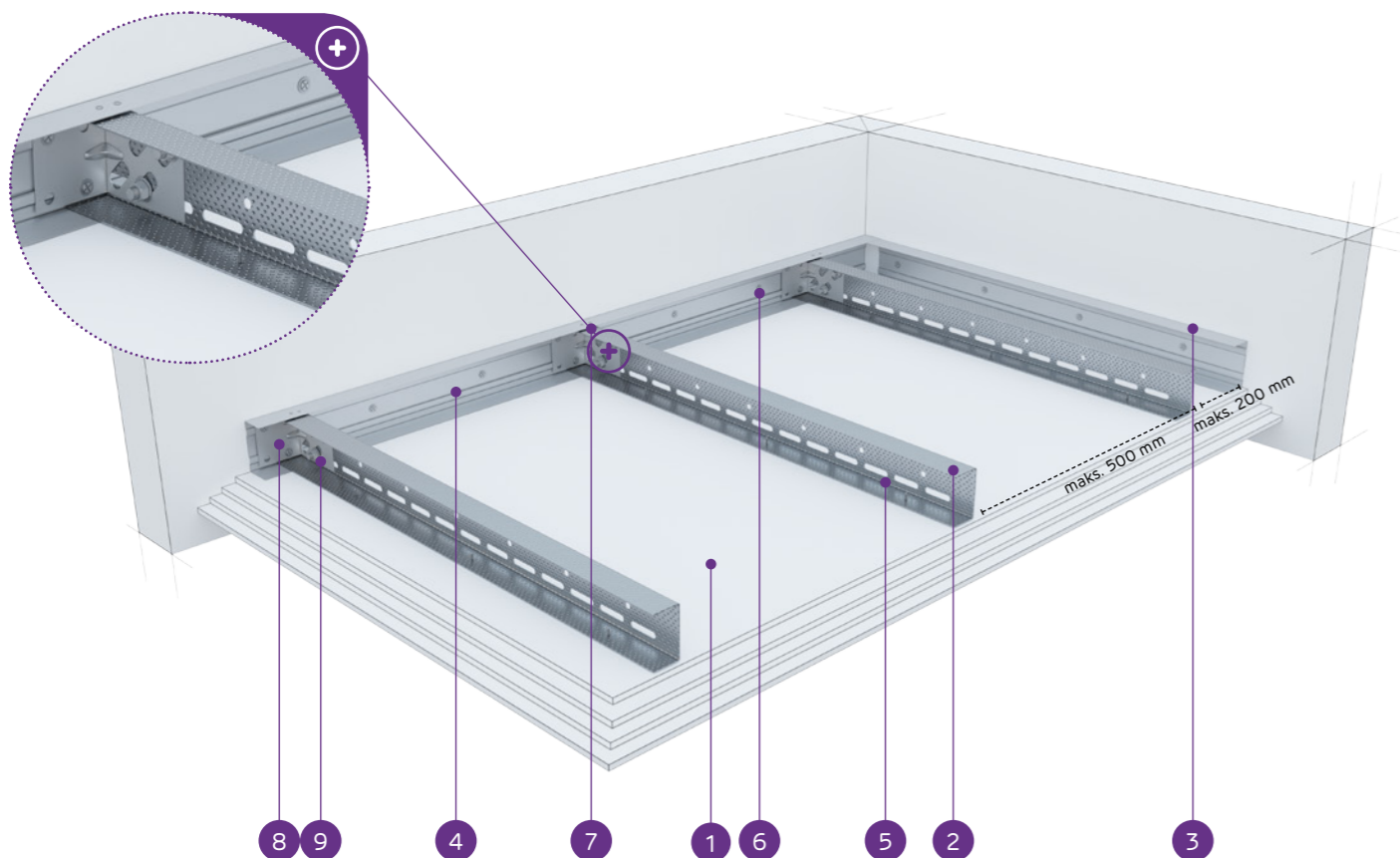
Saisītā
dokumenta
numurs:

EN13964:2004+A1

Eksploatacijas īpašību deklarācija:
DoP/Ceiling System/0055/15.11.2016

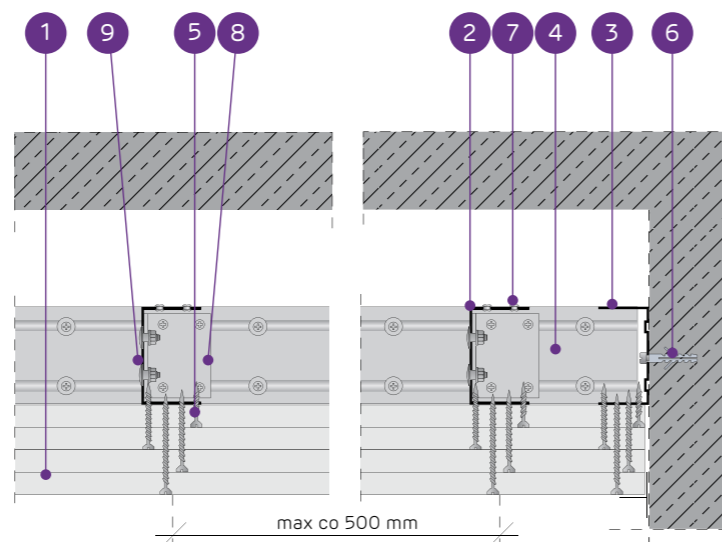
SISTĒMAS:

UAR75/U75/500-37,5; UAR75/U75/500-40; UAR75/U75/500-60



MATERIĀLI:

1. Ģipškartona plāksnes Nida
2. Nesošais profils Nida UAR 75
3. Konstrukcijas profils Nida U 75
4. Nesošais profils Nida U 75
5. Pašurbjošā skrūve Nida 3,5 x 25 mm
6. Tērauda enkurošanas elements ar Tērauda paplāksni
7. Kniede
8. Leņķis Nida UA profilam
9. Skrūve Nida M8



PAŠNESOŠO GRIESTU SISTĒMA AR NIDA UAR75 KONSTRUKCIJU

TEHNISKIE PARAMETRI

Sistēmas tips Nida Griesti	Režģa konstrukcija				Ģipša plākšņu apšuvums		Minimālais piekāršanas augstums	Būves svars 1 m ²	Ugunsizturības klase ¹⁾	Maksimālais griestu apdares platums ²⁾	Īpašā sistē- ma
	Nida nesošā profila tips	Nida nesošā perimetra profila tips	Nida konstruk- cijas perimetra profila tips	Maksimālais Nida UAR75 nesošo profilu atstatums [mm]	Nida	Biezums					
UAR75/U75/500-37,5/Uguns+	UAR75	U75	U75	500	Uguns Plus	3x12,5	122,5	35,0	(R)EI60	3480	-
UAR75/U75/500-37,5/ŪdensUguns+	UAR75	U75	U75	500	Ūdens Uguns Plus	3x12,5	122,5	35,0	(R)EI60	3480	-
UAR75/U75/500-37,5/Cietā	UAR75	U75	U75	500	Cietā	3x12,5	122,5	44,0	(R)EI60	3070	●
UAR75/U75/500-37,5/Hydro	UAR75	U75	U75	500	Hydro	3x12,5	122,5	38,0	(R)EI60	3260	●
UAR75/U75/500-40/Uguns+	UAR75	U75	U75	500	Uguns Plus	2x12,5+15,0	125	39,0	(R)EI90	3260	-
UAR75/U75/500-40/Cietā	UAR75	U75	U75	500	Cietā	2x12,5+15,0	125	46,0	(R)EI90	2910	●
UAR75/U75/500-40/Hydro	UAR75	U75	U75	500	Hydro	2x12,5+15,0	125	41,0	(R)EI90	3070	●
UAR75/U75/500-60/Uguns+	UAR75	U75	U75	500	Uguns Plus	4x15,0	145	60,0	(R)EI120	2660	-
UAR75/U75/500-60/Cietā	UAR75	U75	U75	500	Cietā	4x15,0	145	67,0	(R)EI120	2460	●
UAR75/U75/500-60/Hydro	UAR75	U75	U75	500	Hydro	4x15,0	145	60,0	(R)EI120	2660	●

¹⁾ Ugunsdrošības klasifikācija LBO-458-K/17.²⁾ Tehniskais atzinums ITB 1060/12/R33NK.MATERIĀLU PATĒRĪŅŠ UZ 1 M² GRIESTU APBŪVES NIDA GRIESTI SISTĒMĀ

Materiāla nosaukums	Mērv.	Sistēmas tips Nida Griesti									
		UAR75/ U75/500- 37,5/Uguns+	UAR75/ U75/500-37,5/ ŪdensUguns+	UAR75/ U75/500- 37,5/Cietā	UAR75/ U75/500- 37,5/Hydro	UAR75/ U75/500- 40/Uguns+	UAR75/ U75/500- 40/Cietā	UAR75/ U75/500- 40/Hydro	UAR75/ U75/500- 60/ Uguns+	UAR75/ U75/500- 60/Cietā	UAR75/ U75/500- 60/Hydro
Materiālu patēriņš uz 1 m ²											
Plāksne Nida Uguns Plus 12,5 mm	m ²	3,0	-	-	-	2,0	-	-	-	-	-
Plāksne Nida Ūdens Uguns Plus 12,5 mm	m ²	-	3,0	-	-	-	-	-	-	-	-
Plāksne Nida Cietā 12,5 mm	m ²	-	-	3,0	-	-	2,0	-	-	-	-
Plāksne Nida Hydro 12,5 mm	m ²	-	-	-	3,0	-	-	2,0	-	-	-
Plāksne Nida Uguns Plus 15,0 mm	m ²	-	-	-	-	1,0	-	-	4,0	-	-
Plāksne Nida Cietā 15,0 mm	m ²	-	-	-	-	-	1,0	-	-	4,0	-
Plāksne Nida Hydro 15,0 mm	m ²	-	-	-	-	-	-	1,0	-	-	4,0
Profils Nida UAR75	tek.m	2,2	2,2	2,2	2,2	2,2	2,2	2,2	2,2	2,2	2,2
Profils Nida U75	tek.m	0,75	0,75	0,75	0,75	0,75	0,75	0,75	0,75	0,75	0,75
Leņķis Nida UAR75 profilam	gab.	1,5	1,5	1,5	1,5	1,5	1,5	1,5	1,5	1,5	1,5
Skrūve Nida M8	gab.	3,0	3,0	3,0	3,0	3,0	3,0	3,0	3,0	3,0	3,0
Kniedes	gab.	2,8	2,8	2,8	2,8	2,8	2,8	2,8	2,8	2,8	2,8
Tērauda enkurošanas elements (tips atbilstoši būves svaram) ³⁾	gab.	7,7	7,7	7,7	7,7	7,7	7,7	7,7	7,7	7,7	7,7
Pašurbjošās skrūves Nida 3,5x25 mm ⁴⁾	gab.	6,0	6,0	-	-	6,0	-	-	6,0	-	-
Pašurbjošās skrūves Nida 3,5x35 mm ⁴⁾	gab.	6,0	6,0	-	-	6,0	-	-	-	-	-
Pašurbjošās skrūves Nida 3,5x45 mm ⁴⁾	gab.	-	-	-	-	-	-	-	6,0	-	-
Pašurbjošās skrūves Nida 3,5x55 mm ⁴⁾	gab.	18,0	18,0	-	-	18,0	-	-	6,0	-	-
Pašurbjošās skrūves Nida 4,2x70 mm ⁴⁾	gab.	-	-	-	-	-	-	-	18,0	-	-
Pašurbjošās skrūves Nida Cietā 35 (3,9x35 mm) ⁴⁾	gab.	-	-	12,0	-	-	12,0	-	-	6,0	-
Pašurbjošās skrūves Nida Cietā 45 (3,9x45 mm) ⁴⁾	gab.	-	-	-	-	-	-	-	-	6,0	-
Pašurbjošās skrūves Nida Cietā 55 (3,9x55 mm) ⁴⁾	gab.	-	-	18,0	-	-	18,0	-	-	6,0	-
Pašurbjošās skrūves Nida Cietā 70 (4,2x70 mm) ⁴⁾	gab.	-	-	-	-	-	-	-	-	18,0	-
Pašurbjošās skrūves Nida Hydro C4 3,5x25 mm ⁴⁾	gab.	-	-	-	6,0	-	-	6,0	-	-	6,0
Pašurbjošās skrūves Nida Hydro C4 3,5x41 mm ⁴⁾	gab.	-	-	-	6,0	-	-	6,0	-	-	6,0
Pašurbjošās skrūves Nida Hydro C4 3,5x55 mm ⁴⁾	gab.	-	-	-	18,0	-	-	18,0	-	-	6,0
Pašurbjošās skrūves Nida Hydro C4 4,2x70 mm ⁴⁾	gab.	-	-	-	-	-	-	-	-	-	18,0
Limlente šuvēm Nida	tek.m	1,4	1,4	1,4	1,4	1,4	1,4	1,4	1,4	1,4	1,4
Ģipša špaktele Nida Start	kg	0,9	0,9	-	-	0,9	-	-	1,2	-	-
Ģipša špaktele Nida Finisz	kg	0,1	0,1	-	-	0,1	-	-	0,1	-	-
Gatavā špaktelmasa Nida Hydromix ⁵⁾	kg	-	-	1,0	1,0	-	1,0	1,0	-	1,3	1,3

³⁾ Enkurošanas elementu tips un skaits jāizvēlas saskaņā ar shēmu, kas iekļauta ITB tehniskajā atzinumā Pašnesošie griesti: ITB 1060/12/R33NK.⁴⁾ Ieteicams izmantot 2 mm pašurbjošās skrūves.⁵⁾ Izmantojot ģipša šķiedru plāksnes Nida Cietā, kā alternatīvu varat izmantot arī Nida Planfix Fresh ģipša špakteļi.

Patēriņa standartos nav ņemti vērā materiālie zaudējumi.

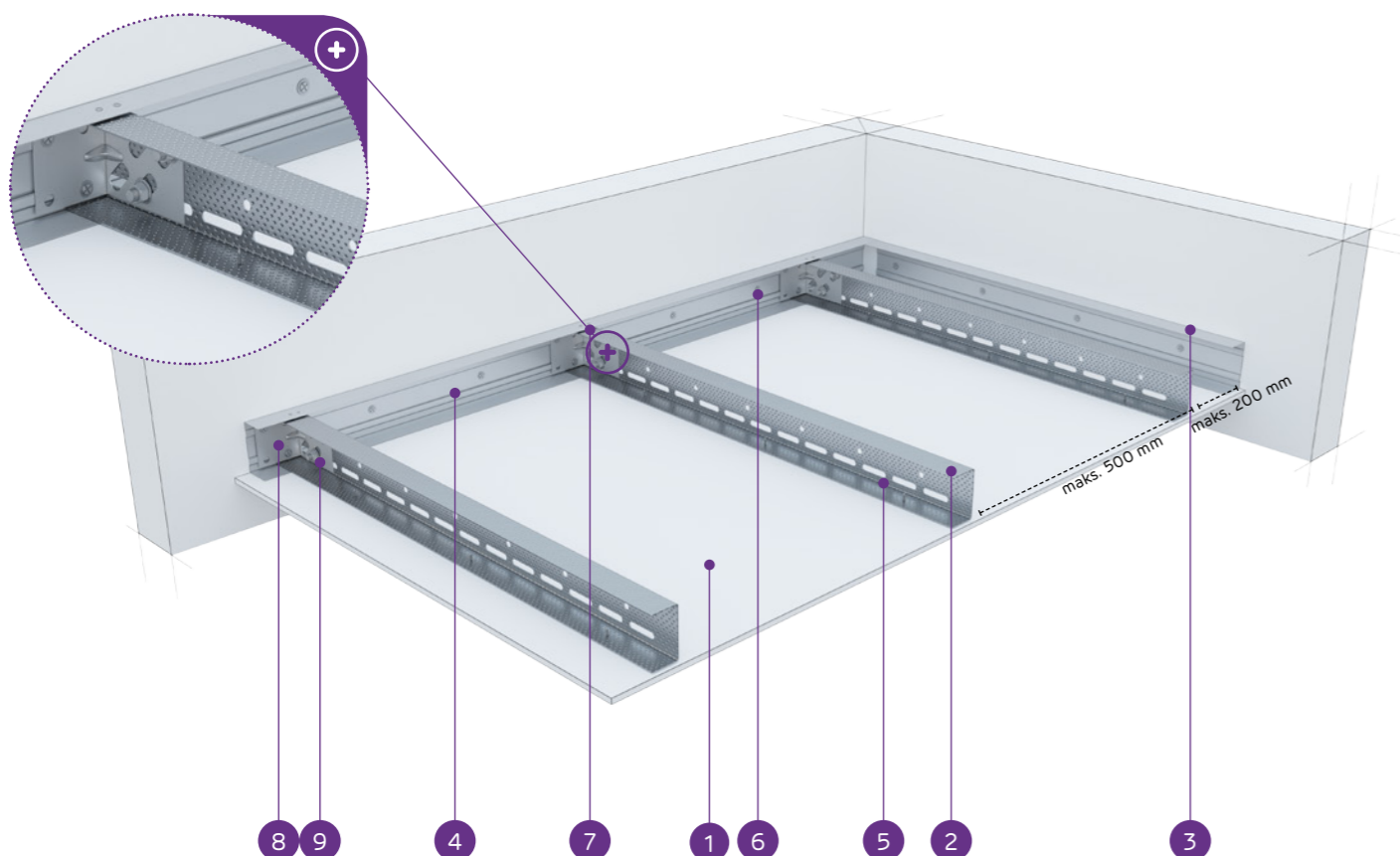


nida Griesti

Ugunsizturības
klase:
(R)EI15
(R)EI30Maksimālais
apdares
platums:
5280 mmMinimālais
piekāršanas
augstums:
110 mmBūves svars
1m²:
14,0-21,0 kgSaisītā
dokumenta
numurs:
EN13964:2004+A1Eksploatacijas īpašību deklarācija:
DoP/Ceiling System/0057/15.11.2016

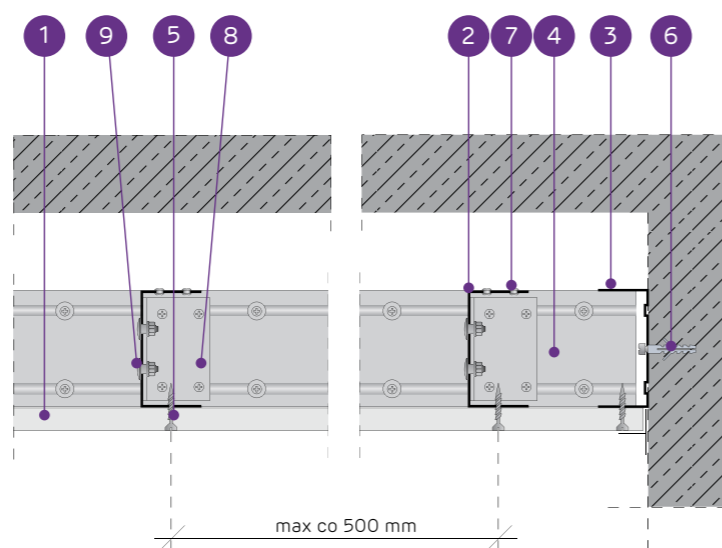
SISTĒMAS:

UAR100/U100/500-12,5; UAR100/U100/500-15; UAR100/U100/500-18



MATERIĀLI:

- Ģipškartona plāksnes Nida
- Nesošais profils Nida UAR 100
- Konstrukcijas profils Nida U 100
- Nesošais profils Nida U 100
- Pašurbjošā skrūve Nida 3,5 x 25 mm
- Tērauda enkurošanas elements ar Tērauda paplāksni
- Kniede
- Leņķis Nida UA profilam
- Skrūve Nida M8



PAŠNESOŠO GRIESTU SISTĒMA AR NIDA UAR100 KONSTRUKCIJU

TEHNISKIE PARAMETRI

Sistēmas tips Nida Griesti	Režģa konstrukcija				Ģipša plākšņu apšuvums		Minimālais piekāršanas augstums	Būves svars 1 m ²	Ugunsizturības klase ¹⁾	Maksimālais griestu apdares platums ²⁾	Īpaša sistē- ma
	Nida nesošā profila tips	Nida nesošā perimetra profila tips	Nida konstruk- cijas perimetra profila tips	Maksimālais Nida UAR100 nesošo profilu atstatums	Nida	Biezums					
			[mm]			[mm]	kg	[min.]	[mm]		
UAR100/U100/500-12,5/Expert	UAR100	U100	U100	500	Expert	12,5	122,5	14,0	-	5280	-
UAR100/U100/500-12,5/Ūdens ³⁾	UAR100	U100	U100	500	Ūdens	12,5	122,5	14,0	-	5280	-
UAR100/U100/500-12,5/Uguns+	UAR100	U100	U100	500	Uguns Pluss	12,5	122,5	16,0	(R)EI15	4570	-
UAR100/U100/500-12,5/ŪdensUguns+	UAR100	U100	U100	500	Ūdens Uguns Pluss	12,5	122,5	16,0	(R)EI15	4570	-
UAR100/U100/500-12,5/Cietā	UAR100	U100	U100	500	Cietā	12,5	122,5	18,0	(R)EI15	4570	●
UAR100/U100/500-12,5/Hydro	UAR100	U100	U100	500	Hydro	12,5	122,5	16,0	(R)EI15	4570	●
UAR100/U100/500-15/Uguns+	UAR100	U100	U100	500	Uguns Pluss	15,0	125	19,0	(R)EI15	4570	-
UAR100/U100/500-15/Cietā	UAR100	U100	U100	500	Cietā	15,0	125	21,0	(R)EI15	4090	●
UAR100/U100/500-15/Hydro	UAR100	U100	U100	500	Hydro	15,0	125	19,0	(R)EI15	4570	●
UAR100/U100/500-18/Uguns+	UAR100	U100	U100	500	Uguns Pluss	18,0	128	20,0	(R)EI30	4570	-

¹⁾ Ugunsdrošības klasifikācija LBO-458-K/17.²⁾ Tehniskais atzinums ITB 1060/12/R33NK.³⁾ Telpās ar relatīvo gaisa mitrumu līdz 85 % stūra sekcijās pret intensīvu ūdens iedarbību ieteicams izmantot Nida Hydro ģipša šķiedru plāksnes (horizontālām un vertikālām virsmām vannas, dušas utt. zonās).MATERIĀLU PATĒRIŅŠ UZ 1 M² GRIESTU APBŪVES NIDA GRIESTI SISTĒMĀ

Materiāla nosaukums	Mērv.	Sistēmas tips Nida Griesti									
		UAR100/ U100/500- 12,5/ Expert	UAR100/ U100/500- 12,5/ Ūdens	UAR100/ U100/500- 12,5/ Uguns+	UAR100/ U100/500- 12,5/ ŪdensUguns+	UAR100/ U100/500- 12,5/ Cietā	UAR100/ U100/500- 12,5/ Hydro	UAR100/ U100/500- 15/ Uguns+	UAR100/ U100/500- 15/ Cietā	UAR100/ U100/500- 15/ Hydro	UAR100/ U100/500- 18/ Uguns+
Materiāla patēriņš uz 1 m ²											
Plāksne Nida Expert 12,5 mm	m ²	1,0	-	-	-	-	-	-	-	-	-
Plāksne Nida Ūdens 12,5 mm	m ²	-	1,0	-	-	-	-	-	-	-	-
Plāksne Nida Uguns Pluss 12,5 mm	m ²	-	-	1,0	-	-	-	-	-	-	-
Plāksne Nida Ūdens Uguns Pluss 12,5 mm	m ²	-	-	-	1,0	-	-	-	-	-	-
Plāksne Nida Cietā 12,5 mm	m ²	-	-	-	-	1,0	-	-	-	-	-
Plāksne Nida Hydro 12,5 mm	m ²	-	-	-	-	-	1,0	-	-	-	-
Plāksne Nida Uguns Pluss 15,0 mm	m ²	-	-	-	-	-	-	1,0	-	-	-
Plāksne Nida Cietā 15,0 mm	m ²	-	-	-	-	-	-	-	1,0	-	-
Plāksne Nida Hydro 15,0 mm	m ²	-	-	-	-	-	-	-	-	1,0	-
Plāksne Nida Uguns Pluss 18,0 mm	m ²	-	-	-	-	-	-	-	-	-	1,0
Profils Nida UAR100	tek.m	2,2	2,2	2,2	2,2	2,2	2,2	2,2	2,2	2,2	2,2
Profils Nida U100	tek.m	0,75	0,75	0,75	0,75	0,75	0,75	0,75	0,75	0,75	0,75
Leņķis Nida UAR100 profilam	gab.	1,5	1,5	1,5	1,5	1,5	1,5	1,5	1,5	1,5	1,5
Skrūve Nida M8	gab.	3,0	3,0	3,0	3,0	3,0	3,0	3,0	3,0	3,0	3,0
Kniedes	gab.	2,8	2,8	2,8	2,8	2,8	2,8	2,8	2,8	2,8	2,8
Tērauda enkurošanas elements (tips atbilstoši būves svaram) ⁴⁾	gab.	7,7	7,7	7,7	7,7	7,7	7,7	7,7	7,7	7,7	7,7
Pašurbjošās skrūves Nida 3,5x25 mm ⁵⁾	gab.	18,0	18,0	18,0	18,0	-	-	18,0	-	-	-
Pašurbjošās skrūves Nida 3,5x35 mm ⁵⁾	gab.	-	-	-	-	-	-	-	-	-	18,0
Pašurbjošās skrūves Nida Cietā 35 (3,9x35 mm) ⁵⁾	gab.	-	-	-	-	-	18,0	-	18,0	-	-
Pašurbjošās skrūves Nida Hydro C4 3,5x25 mm ⁵⁾	gab.	-	-	-	-	-	18,0	-	-	18,0	-
Līmlente šuvēm Nida	tek.m	1,4	1,4	1,4	1,4	1,4	1,4	1,4	1,4	1,4	1,4
Ģipša špaktele Nida Start	kg	0,3	0,3	0,3	0,3	-	-	0,3	-	-	0,3
Ģipša špaktele Nida Finisz	kg	0,1	0,1	0,1	0,1	-	-	0,1	-	-	0,1
Gatavā špaktelmasa Nida Hydromix ⁶⁾	kg	-	-	-	-	0,4	0,4	-	0,4	0,4	-

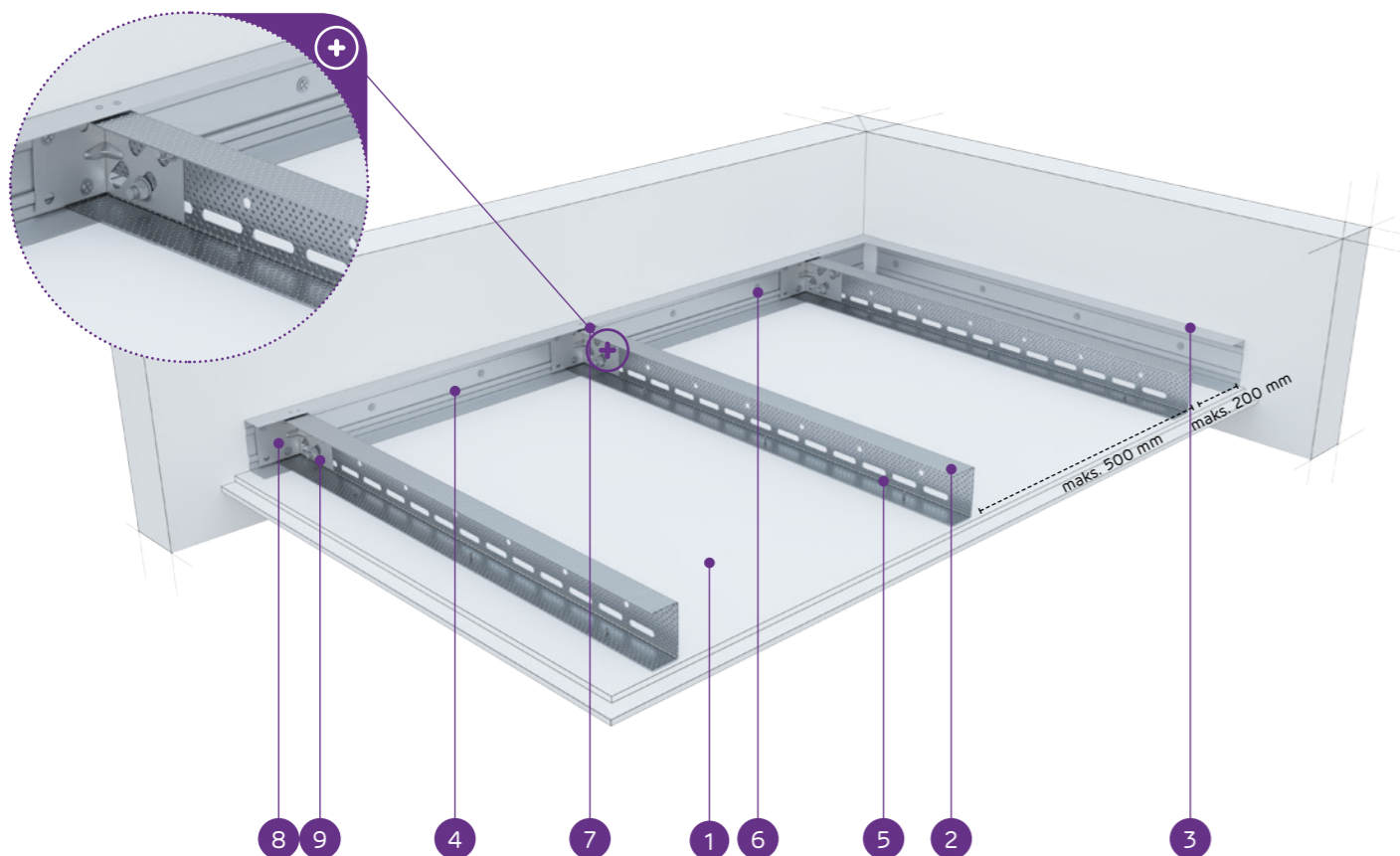
⁴⁾ Enkurošanas elementu tips un skaits jāizvēlas saskaņā ar shēmu, kas iekļauta ITB tehniskajā atzinumā Pašnesošie griesti: ITB 1060/12/R33NK.⁵⁾ Ieteicams izmantot 2 mm pašurbjošās skrūves.⁶⁾ Izmantojot ģipša šķiedru plāksnes Nida Cietā, kā alternatīvu varat izmantot arī Nida Planfix Fresh ģipša špakteļi. Patēriņa standartos nav ņemti vērā materiālie zaudējumi.

nida Griesti

Ugunsizturības
klase:
(R)EI45
(R)EI60Maksimālais
apdares
platums:
4830 mmMinimālais
piekāršanas
augstums:
110 mmBūves svars
1m²:
22,0-37,0 kgSaisītā
dokumenta
numurs:
EN13964:2004+A1Eksploatacijas īpašību deklarācija:
DoP/Ceiling System/0057/15.11.2016

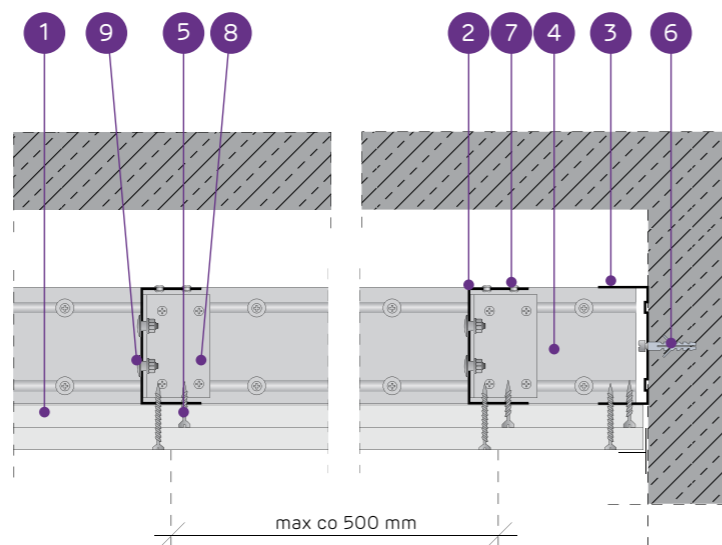
SISTĒMAS:

UAR100/U100/500-25; UAR100/U100/500-30



MATERIĀLI:

1. Ģipškartona plāksnes Nida
2. Nesošais profils Nida UAR 100
3. Konstrukcijas profils Nida U 100
4. Nesošais profils Nida U 100
5. Pašurbjošā skrūve Nida 3,5 x 25 mm
6. Tērauda enkurošanas elements ar Tērauda paplāksni
7. Kniede
8. Leņķis Nida UA profilam
9. Skrūve Nida M8



PAŠNESOŠO GRIESTU SISTĒMA AR NIDA UAR100 KONSTRUKCIJU

TEHNISKIE PARAMETRI

Sistēmas tips Nida Griesti	Režģa konstrukcija				Ģipša plākšņu apšuvums		Minimālais piekāršanas augstums	Būves svars 1 m ²	Ugunsizturības klase ¹⁾	Maksimālais griestu apdares platums ²⁾	Īpašā sistē- ma
	Nida nesošā profila tips	Nida nesošā perimetra profila tips	Nida konstruk- cijas perimetra profila tips	Maksimālais Nida UAR100 nesošo profilu atstatums	[mm]						
					Nida	Biezums					
UAR100/U100/500-25/Expert	UAR100	U100	U100	500	Expert	2x12,5	135	22,0	-	4830	-
UAR100/U100/500-25/Ūdens ³⁾	UAR100	U100	U100	500	Ūdens	2x12,5	135	23,0	-	4830	-
UAR100/U100/500-25/Uguns+	UAR100	U100	U100	500	Uguns Plus	2x12,5	135	26,0	(R)EI45	4410	-
UAR100/U100/500-25/ŪdensUguns+	UAR100	U100	U100	500	Ūdens Uguns Plus	2x12,5	135	26,0	(R)EI45	4410	-
UAR100/U100/500-25/Cietā	UAR100	U100	U100	500	Cietā	2x12,5	135	31,0	(R)EI45	4090	●
UAR100/U100/500-25/Hydro	UAR100	U100	U100	500	Hydro	2x12,5	135	27,0	(R)EI45	4410	●
UAR100/U100/500-30/Uguns+	UAR100	U100	U100	500	Uguns Plus	2x15,0	140	33,0	(R)EI60	4090	-
UAR100/U100/500-30/Cietā	UAR100	U100	U100	500	Cietā	2x15,0	140	37,0	(R)EI60	3820	●
UAR100/U100/500-30/Hydro	UAR100	U100	U100	500	Hydro	2x15,0	140	33,0	(R)EI60	4090	●

¹⁾ Ugunsdrošības klasifikācija LBO-458-K/17.²⁾ Tehniskais atzinums ITB 1060/12/R33NK.³⁾ Telpās ar relatīvo gaisa mitrumu līdz 85% stūra sekcijās pret intensīvu ūdens iedarbību ieteicams izmantot Nida Hydro ģipša šķiedru plāksnes (horizontālām un vertikālām virsmām vannas, dušas utt. zonās).MATERIĀLU PATĒRIŅŠ UZ 1 M² GRIESTU APBŪVES NIDA GRIESTI SISTĒMĀ

Materiāla nosaukums	Mērv.	Sistēmas tips Nida Griesti									
		UAR100/ U100/500- 25/Expert	UAR100/ U100/500- 25/Ūdens	UAR100/ U100/500- 25/Uguns+	UAR100/ U100/500-25/ ŪdensUguns+	UAR100/ U100/500- 25/Cietā	UAR100/ U100/500- 25/Hydro	UAR100/ U100/500- 30/Uguns+	UAR100/ U100/500- 30/Cietā	UAR100/ U100/500- 30/Hydro	
		Materiāla patēriņš uz 1 m ²									
Plāksne Nida Expert 12,5 mm	m ²	2,0	-	-	-	-	-	-	-	-	
Plāksne Nida Ūdens 12,5 mm	m ²	-	2,0	-	-	-	-	-	-	-	
Plāksne Nida Uguns Plus 12,5 mm	m ²	-	-	2,0	-	-	-	-	-	-	
Plāksne Nida Ūdens Uguns Plus 12,5 mm	m ²	-	-	-	2,0	-	-	-	-	-	
Plāksne Nida Cietā 12,5 mm	m ²	-	-	-	-	2,0	-	-	-	-	
Plāksne Nida Hydro 12,5 mm	m ²	-	-	-	-	-	2,0	-	-	-	
Plāksne Nida Uguns Plus 15,0 mm	m ²	-	-	-	-	-	-	2,0	-	-	
Plāksne Nida Cietā 15,0 mm	m ²	-	-	-	-	-	-	-	2,0	-	
Plāksne Nida Hydro 15,0 mm	m ²	-	-	-	-	-	-	-	-	2,0	
Profils Nida UAR100	tek.m	2,2	2,2	2,2	2,2	2,2	2,2	2,2	2,2	2,2	
Profils Nida U100	tek.m	0,75	0,75	0,75	0,75	0,75	0,75	0,75	0,75	0,75	
Leņķis Nida UAR100 profilam	gab.	1,5	1,5	1,5	1,5	1,5	1,5	1,5	1,5	1,5	
Skrūve Nida M8	gab.	3,0	3,0	3,0	3,0	3,0	3,0	3,0	3,0	3,0	
Kniedes	gab.	2,8	2,8	2,8	2,8	2,8	2,8	2,8	2,8	2,8	
Tērauda enkurošanas elements (tips atbilstoši būves svaram) ⁴⁾	gab.	7,7	7,7	7,7	7,7	7,7	7,7	7,7	7,7	7,7	
Pašurbjošās skrūves Nida 3,5x25 mm ⁵⁾	gab.	6,0	6,0	6,0	6,0	-	-	6,0	-	-	
Pašurbjošās skrūves Nida 3,5x35 mm ⁵⁾	gab.	18,0	18,0	18,0	18,0	-	-	-	-	-	
Pašurbjošās skrūves Nida 3,5x45 mm ⁵⁾	gab.	-	-	-	-	-	-	18,0	-	-	
Pašurbjošās skrūves Nida Cietā 35 (3,9x35 mm) ⁵⁾	gab.	-	-	-	-	24,0	-	-	6,0	-	
Pašurbjošās skrūves Nida Cietā 45 (3,9x45 mm) ⁵⁾	gab.	-	-	-	-	-	-	-	18,0	-	
Pašurbjošās skrūves Nida Hydro C4 3,5x25 mm ⁵⁾	gab.	-	-	-	-	-	6,0	-	-	6,0	
Pašurbjošās skrūves Nida Hydro C4 3,5x41 mm ⁵⁾	gab.	-	-	-	-	-	18,0	-	-	18,0	
Līmļente šuvēm Nida	tek.m	1,4	1,4	1,4	1,4	1,4	1,4	1,4	1,4	1,4	
Ģipša špaktele Nida Start	kg	0,6	0,6	0,6	0,6	-	-	0,6	-	-	
Ģipša špaktele Nida Finisz	kg	0,1	0,1	0,1	0,1	-	-	0,1	-	-	
Gatavā špaktelmasa Nida Hydromix ⁶⁾	kg	-	-	-	-	0,7	0,7	-	0,7	0,7	

⁴⁾ Enkurošanas elementu tips un skaits jāizvēlas saskaņā ar shēmu, kas iekļauta ITB tehniskajā atzinumā Pašnesošie griesti: ITB 1060/12/R33NK.⁵⁾ Ieteicams izmantot 2 mm pašurbjošās skrūves.⁶⁾ Izmantojot ģipša šķiedru plāksnes Nida Cietā, kā alternatīvu varat izmantot arī Nida Planfix Fresh ģipša špakтели. Patēriņa standartos nav ņemti vērā materiālie zaudējumi.

nida Griesti

Ugunsizturības
klase:(R)EI60
(R)EI90
(R)EI120Maksimālais
apdares
platums:

3820 mm

Minimālais
piekāršanas
augstums:

110 mm

Būves svars
1m²:

36,0-68,0 kg

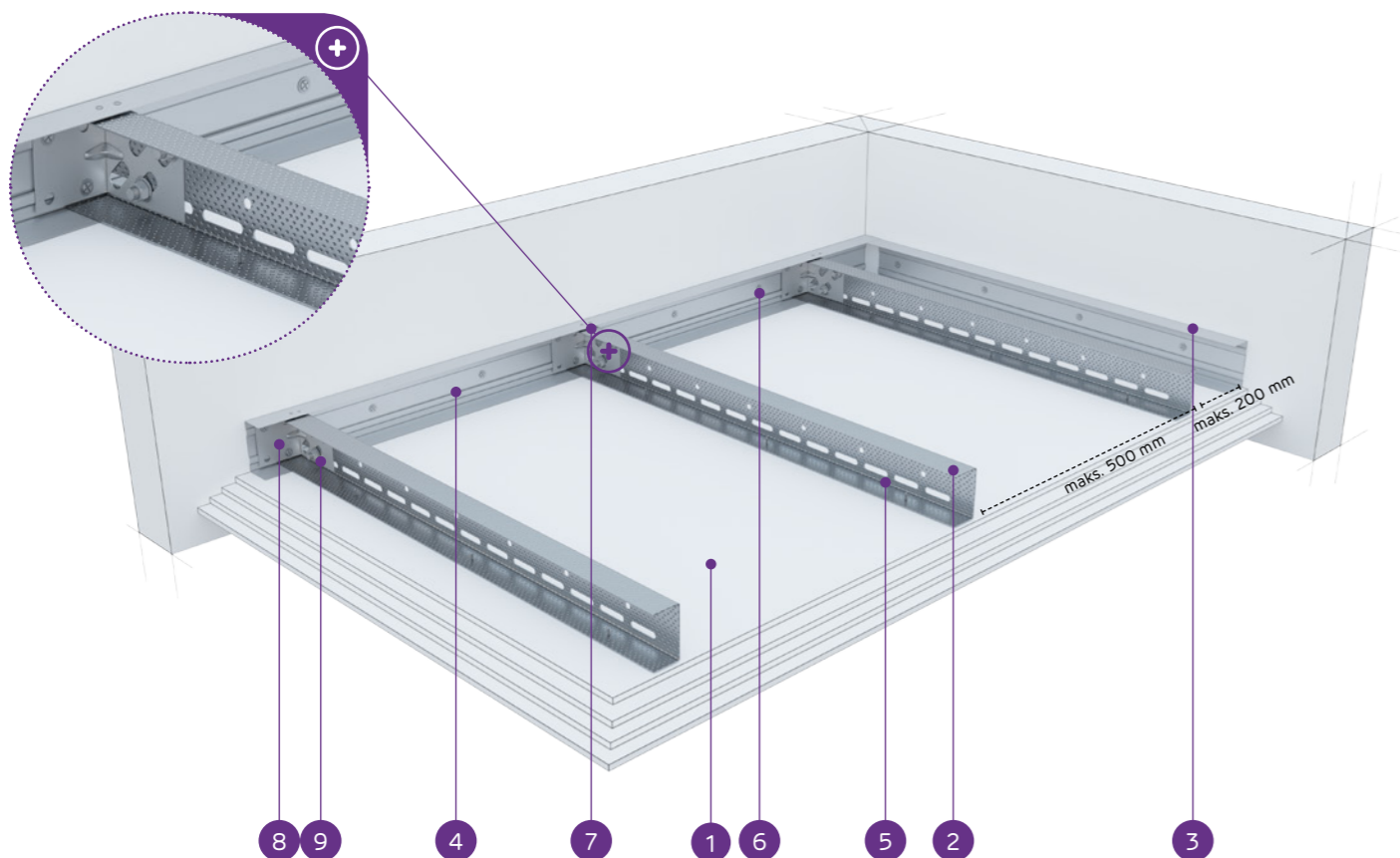
Saistītā
dokumenta
numurs:

EN13964:2004+A1

Eksploatacijas īpašību deklarācija:
DoP/Ceiling System/0057/15.11.2016

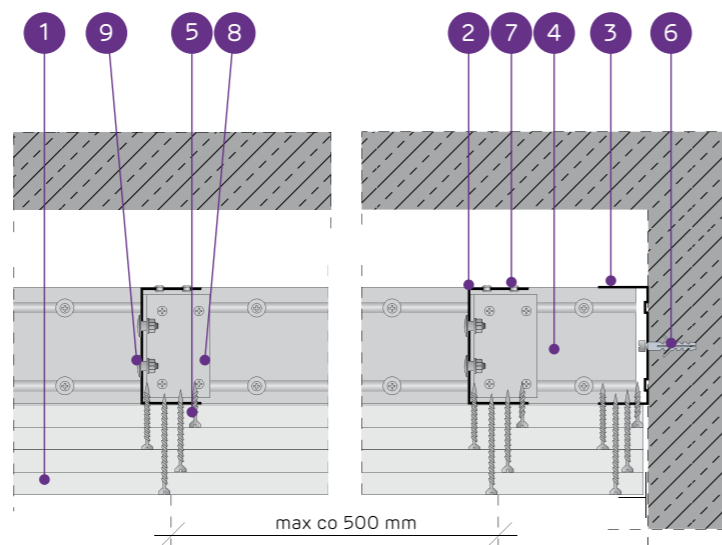
SISTĒMAS:

UAR100/U100/500-37,5; UAR100/U100/500-40; UAR100/U100/500-60



MATERIĀLI:

1. Ģipškartona plāksnes Nida
2. Nesošais profils Nida UAR 100
3. Konstrukcijas profils Nida U 100
4. Nesošais profils Nida U 100
5. Pašurbjošā skrūve Nida 3,5 x 25 mm
6. Tērauda enkurošanas elements ar Tērauda paplāksni
7. Kniede
8. Leņķis Nida UA profilam
9. Skrūve Nida M8



PAŠNESOŠO GRIESTU SISTĒMA AR NIDA UAR100 KONSTRUKCIJU

TEHNISKIE PARAMETRI

Sistēmas tips Nida Griesti	Režģa konstrukcija				Ģipša plākšņu apšuvums	Minimālais piekāršanas augstums	Būves svars 1 m ²	Ugunsizturības klase ¹⁾	Maksimālais griestu apdares platums ²⁾	Īpašā sistē- ma	
	Nida nesošā profila tips	Nida nesošā perimetra profila tips	Nida konstruk- cijas perimetra profila tips	Maksimālais Nida UAR100 nesošo profilu atstatums							
											[mm]
UAR100/U100/500-37,5/Uguns+	UAR100	U100	U100	500	Uguns Pluss	3x12,5	147,5	36,0	(R)EI60	3820	-
UAR100/U100/500-37,5/ŪdensUguns+	UAR100	U100	U100	500	Ūdens Uguns Pluss	3x12,5	147,5	36,0	(R)EI60	3820	-
UAR100/U100/500-37,5/Cietā	UAR100	U100	U100	500	Cietā	3x12,5	147,5	45,0	(R)EI60	3600	●
UAR100/U100/500-37,5/Hydro	UAR100	U100	U100	500	Hydro	3x12,5	147,5	39,0	(R)EI60	3820	●
UAR100/U100/500-40/Uguns+	UAR100	U100	U100	500	Uguns Pluss	2x12,5+15,0	150	40,0	(R)EI90	3820	-
UAR100/U100/500-40/Cietā	UAR100	U100	U100	500	Cietā	2x12,5+15,0	150	47,0	(R)EI90	3420	●
UAR100/U100/500-40/Hydro	UAR100	U100	U100	500	Hydro	2x12,5+15,0	150	41,0	(R)EI90	3600	●
UAR100/U100/500-60/Uguns+	UAR100	U100	U100	500	Uguns Pluss	4x15,0	170	60,0	(R)EI120	3120	-
UAR100/U100/500-60/Cietā	UAR100	U100	U100	500	Cietā	4x15,0	170	68,0	(R)EI120	2890	●
UAR100/U100/500-60/Hydro	UAR100	U100	U100	500	Hydro	4x15,0	170	60,0	(R)EI120	3120	●

¹⁾ Ugunsdrošības klasifikācija LBO-458-K/17.²⁾ Tehniskais atzinums ITB 1060/12/R33NK.MATERIĀLU PATĒRIŅŠ UZ 1 M² GRIESTU APBŪVES NIDA GRIESTI SISTĒMĀ

Materiāla nosaukums	Mērv.	Sistēmas tips Nida Griesti										
		UAR100/ U100/500- 37,5/Uguns+	UAR100/ U100/500-37,5/ ŪdensUguns+	UAR100/ U100/500- 37,5/Cietā	UAR100/ U100/500- 37,5/Hydro	UAR100/ U100/500- 40/Uguns+	UAR100/ U100/500- 40/Cietā	UAR100/ U100/500- 40/Hydro	UAR100/ U100/500- 60/Uguns+	UAR100/ U100/500- 60/Cietā	UAR100/ U100/500- 60/Hydro	
		Materiāla patēriņš uz 1 m ²										
Plāksne Nida Uguns Pluss 12,5 mm	m ²	3,0	-	-	-	2,0	-	-	-	-	-	
Plāksne Nida Ūdens Uguns Pluss 12,5 mm	m ²	-	3,0	-	-	-	-	-	-	-	-	
Plāksne Nida Cietā 12,5 mm	m ²	-	-	3,0	-	2,0	-	-	-	-	-	
Plāksne Nida Hydro 12,5 mm	m ²	-	-	-	3,0	-	2,0	-	-	-	-	
Plāksne Nida Uguns Pluss 15,0 mm	m ²	-	-	-	-	1,0	-	4,0	-	-	-	
Plāksne Nida Cietā 15,0 mm	m ²	-	-	-	-	-	1,0	-	4,0	-	-	
Plāksne Nida Hydro 15,0 mm	m ²	-	-	-	-	-	1,0	-	-	4,0	-	
Profils Nida UAR100	tek.m	2,2	2,2	2,2	2,2	2,2	2,2	2,2	2,2	2,2	2,2	
Profils Nida U100	tek.m	0,75	0,75	0,75	0,75	0,75	0,75	0,75	0,75	0,75	0,75	
Leņķis Nida UAR100 profilam	gab.	1,5	1,5	1,5	1,5	1,5	1,5	1,5	1,5	1,5	1,5	
Skrūve Nida M8	gab.	3,0	3,0	3,0	3,0	3,0	3,0	3,0	3,0	3,0	3,0	
Kniedes	gab.	2,8	2,8	2,8	2,8	2,8	2,8	2,8	2,8	2,8	2,8	
Tērauda enkurošanas elements (tips atbilstoši būves svaram) ³⁾	gab.	7,7	7,7	7,7	7,7	7,7	7,7	7,7	7,7	7,7	7,7	
Pašurbjošās skrūves Nida 3,5x25 mm ⁴⁾	gab.	6,0	6,0	-	-	6,0	-	-	6,0	-	-	
Pašurbjošās skrūves Nida 3,5x35 mm ⁴⁾	gab.	6,0	6,0	-	-	6,0	-	-	-	-	-	
Pašurbjošās skrūves Nida 3,5x45 mm ⁴⁾	gab.	-	-	-	-	-	-	6,0	-	-	-	
Pašurbjošās skrūves Nida 3,5x55 mm ⁴⁾	gab.	18,0	18,0	-	-	18,0	-	6,0	-	-	-	
Pašurbjošās skrūves Nida 4,2x70 mm ⁴⁾	gab.	-	-	-	-	-	-	18,0	-	-	-	
Pašurbjošās skrūves Nida Cietā 35 (3,9x35 mm) ⁴⁾	gab.	-	-	12,0	-	-	12,0	-	-	6,0	-	
Pašurbjošās skrūves Nida Cietā 45 (3,9x45 mm) ⁴⁾	gab.	-	-	-	-	-	-	-	-	6,0	-	
Pašurbjošās skrūves Nida Cietā 55 (3,9x55 mm) ⁴⁾	gab.	-	-	18,0	-	-	18,0	-	-	6,0	-	
Pašurbjošās skrūves Nida Cietā 70 (4,2x70 mm) ⁴⁾	gab.	-	-	-	-	-	-	-	-	18,0	-	
Pašurbjošās skrūves Nida Hydro C4 3,5x25 mm ⁴⁾	gab.	-	-	-	6,0	-	-	6,0	-	-	6,0	
Pašurbjošās skrūves Nida Hydro C4 3,5x41 mm ⁴⁾	gab.	-	-	-	6,0	-	-	6,0	-	-	6,0	
Pašurbjošās skrūves Nida Hydro C4 3,5x55 mm ⁴⁾	gab.	-	-	-	18,0	-	-	18,0	-	-	6,0	
Pašurbjošās skrūves Nida Hydro C4 4,2x70 mm ⁴⁾	gab.	-	-	-	-	-	-	-	-	-	18,0	
Līm lente šuvēm Nida	tek.m	1,4	1,4	1,4	1,4	1,4	1,4	1,4	1,4	1,4	1,4	
Ģipša špaktele Nida Start	kg	0,9	0,9	-	-	0,9	-	-	1,2	-	-	
Ģipša špaktele Nida Finisz	kg	0,1	0,1	-	-	0,1	-	-	0,1	-	-	
Gatavā špaktelemas Nida Hydromix ⁵⁾	kg	-	-	1,0	1,0	-	1,0	1,0	-	1,3	1,3	

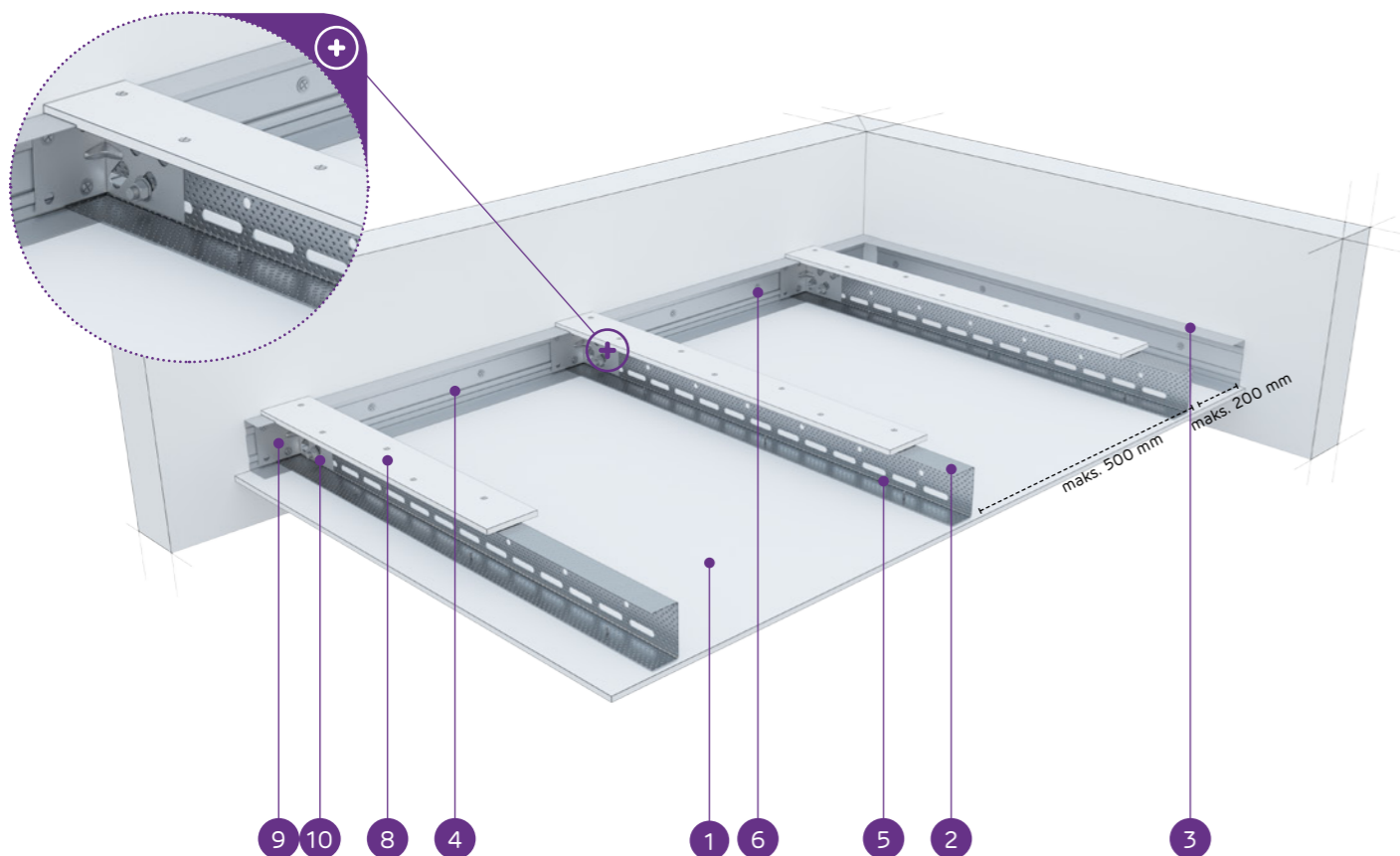
³⁾ Enkurošanas elementu tips un skaits jāizvēlas saskaņā ar shēmu, kas iekļauta ITB tehniskajā atzinumā Pašnesošie griesti: ITB 1060/12/R33NK.⁴⁾ Ieteicams izmantot 2 mm pašurbjošās skrūves.⁵⁾ Izmantojot ģipša šķiedru plāksnes Nida Cietā, kā alternatīvu varat izmantot arī Nida Planfix Fresh ģipša špakteļi. Patēriņa standartos nav ņemti vērā materiālie zaudējumi.

nida Griesti

Ugunsizturības
klase:
(R)EI15
(R)EI30Maksimālais
apdares
platums:
4990 mmMinimālais
piekāršanas
augstums:
60 mmBūves svars
1m²:
14,0-24,0 kgSaisītā
dokumenta
numurs:
EN13964:2004+A1Eksploatacijas īpašību deklarācija:
DoP/Ceiling System/0054/15.11.2016

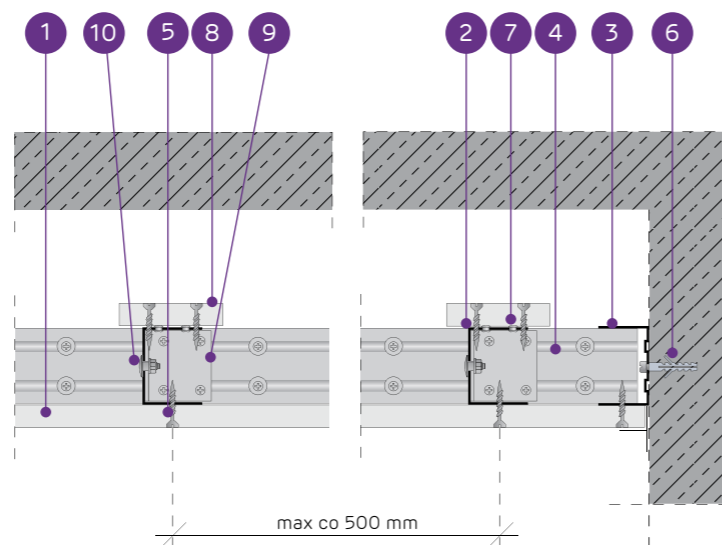
SISTĒMAS:

UAR50/U50/PD/500-12,5; UAR50/U50/PD/500-15; UAR50/U50/PD/500-18



MATERIĀLI:

- Ģipškartona plāksnes Nida
- Nesošais profils Nida UAR 50
- Konstrukcijas profils Nida U 50
- Nesošais profils Nida U 50
- Pašurbjošā skrūve Nida 3,5 x 25 mm
- Tērauda enkurošanas elements ar Tērauda paplāksni
- Kniede
- Pastiprinošā josla no 12,5 mm Nida ģipškartona plāksnes
- Leņķis Nida UA profilam
- Skrūve Nida M8

PAŠNESOŠO GRIESTU SISTĒMA AR NIDA UAR50 KONSTRUKCIJU AR
PASTIPRINOŠO JOSLU

TEHNISKIE PARAMETRI

Sistēmas tips Nida Griesti	Režģa konstrukcija				Ģipša plākšņu apšuvums		Minimālais piekāršanas augstums	Būves svars 1 m ²	Ugunsizturības klase ¹⁾	Maksimālais griestu apdares platums ²⁾	Ipaša sistē- ma	
	Nida nesošā profila tips	Nida nesošā perimetra profila tips	Nida konstruk- cijas perimetra profila tips	Maksimālais Nida UAR50 nesošo profilu atstatums	[mm]	Nida						Biezums
UAR50/U50/PD/500-12,5/Expert	UAR50	U50	U50	500	Expert	12,5	72,5	14,0	-	4990	-	
UAR50/U50/PD/500-12,5/Ūdens ³⁾	UAR50	U50	U50	500	Ūdens	12,5	72,5	15,0	-	4990	-	
UAR50/U50/PD/500-12,5/Uguns+	UAR50	U50	U50	500	Uguns Plus	12,5	72,5	17,0	(R)EI15	4310	-	
UAR50/U50/PD/500-12,5/ŪdensUguns+	UAR50	U50	U50	500	Ūdens Uguns Plus	12,5	72,5	17,0	(R)EI15	4310	-	
UAR50/U50/PD/500-12,5/Cietā	UAR50	U50	U50	500	Cietā	12,5	72,5	21,0	(R)EI15	3860	●	
UAR50/U50/PD/500-12,5/Hydro	UAR50	U50	U50	500	Hydro	12,5	72,5	18,0	(R)EI15	4310	●	
UAR50/U50/PD/500-15/Uguns+	UAR50	U50	U50	500	Uguns Plus	15,0	75	22,0	(R)EI15	3860	-	
UAR50/U50/PD/500-15/Cietā	UAR50	U50	U50	500	Cietā	15,0	75	24,0	(R)EI15	3860	●	
UAR50/U50/PD/500-15/Hydro	UAR50	U50	U50	500	Hydro	15,0	75	22,0	(R)EI15	3860	●	
UAR50/U50/PD/500-18/Uguns+	UAR50	U50	U50	500	Uguns Plus	18,0	78	23,0	(R)EI30	3860	-	

¹⁾ Ugunsdrošības klasifikācija LBO-458-K/17.²⁾ Tehniskais atzinums ITB 1060/12/R33NK.³⁾ Telpās ar relatīvo gaisa mitrumu līdz 85 % stūra sekcijās pret intensīvu ūdens iedarbību ieteicams izmantot Nida Hydro ģipša šķiedru plāksnes (horizontālām un vertikālām virsmām vannas, dušas utt. zonās).MATERIĀLU PATĒRIŅŠ UZ 1 M² GRIESTU APBŪVES NIDA GRIESTI SISTĒMĀ

Materiāla nosaukums	Mērv.	Sistēmas tips Nida Griesti									
		UAR50/ U50/ PD/500- 12,5/Expert	UAR50/ U50/ PD/500- 12,5/Ūdens	UAR50/U50/ PD/500-12,5/ Uguns+	UAR50/U50/ PD/500-12,5/ ŪdensUguns+	UAR50/ U50/ PD/500- 12,5/Cietā	UAR50/ U50/ PD/500- 12,5/Hydro	UAR50/ U50/ PD/500-15/ Uguns+	UAR50/ U50/ PD/500-15/ Cietā	UAR50/ U50/ PD/500- 15/Hydro	UAR50/ U50/ PD/500-18/ Uguns+
		Materiāla patēriņš uz 1 m ²									
Plāksne Nida Expert 12,5 mm	m ²	1,3	-	-	-	-	-	-	-	-	
Plāksne Nida Ūdens 12,5 mm	m ²	-	1,3	-	-	-	-	-	-	-	
Plāksne Nida Uguns Plus 12,5 mm	m ²	-	-	1,3	-	-	-	-	-	-	
Plāksne Nida Ūdens Uguns Plus 12,5 mm	m ²	-	-	-	1,3	-	-	-	-	-	
Plāksne Nida Cietā 12,5 mm	m ²	-	-	-	-	1,3	-	-	-	-	
Plāksne Nida Hydro 12,5 mm	m ²	-	-	-	-	-	1,3	-	-	-	
Plāksne Nida Uguns Plus 15,0 mm	m ²	-	-	-	-	-	-	1,3	-	-	
Plāksne Nida Cietā 15,0 mm	m ²	-	-	-	-	-	-	-	1,3	-	
Plāksne Nida Hydro 15,0 mm	m ²	-	-	-	-	-	-	-	-	1,3	
Plāksne Nida Uguns Plus 18,0 mm	m ²	-	-	-	-	-	-	-	-	-	1,3
Profils Nida UAR50	tek.m	2,2	2,2	2,2	2,2	2,2	2,2	2,2	2,2	2,2	
Profils Nida U50	tek.m	0,75	0,75	0,75	0,75	0,75	0,75	0,75	0,75	0,75	
Leņķis Nida UAR50 profilam	gab.	1,5	1,5	1,5	1,5	1,5	1,5	1,5	1,5	1,5	
Skrūve Nida M8	gab.	3,0	3,0	3,0	3,0	3,0	3,0	3,0	3,0	3,0	
Kniedes	gab.	2,8	2,8	2,8	2,8	2,8	2,8	2,8	2,8	2,8	
Tērauda enkurošanas elements (tips atbilstoši būves svaram) ⁴⁾	gab.	7,7	7,7	7,7	7,7	7,7	7,7	7,7	7,7	7,7	
Pašurbjošās skrūves Nida 3,5x25 mm ⁵⁾	gab.	27,0	27,0	27,0	27,0	-	-	27,0	-	-	
Pašurbjošās skrūves Nida 3,5x35 mm ⁵⁾	gab.	-	-	-	-	-	-	-	-	27,0	
Pašurbjošās skrūves Nida Cietā 35 (3,9x35 mm) ⁵⁾	gab.	-	-	-	-	27,0	-	-	27,0	-	
Pašurbjošās skrūves Nida Hydro C4 3,5x25 mm ⁵⁾	gab.	-	-	-	-	-	27,0	-	-	27,0	
Limente šuvēm Nida	tek.m	1,4	1,4	1,4	1,4	1,4	1,4	1,4	1,4	1,4	
Ģipša špaktele Nida Start	kg	0,3	0,3	0,3	0,3	-	-	0,3	-	0,3	
Ģipša špaktele Nida Finisz	kg	0,1	0,1	0,1	0,1	-	-	0,1	-	0,1	
Gatavā špaktelmasa Nida Hydromix ⁶⁾	kg	-	-	-	-	0,4	0,4	-	0,4	0,4	

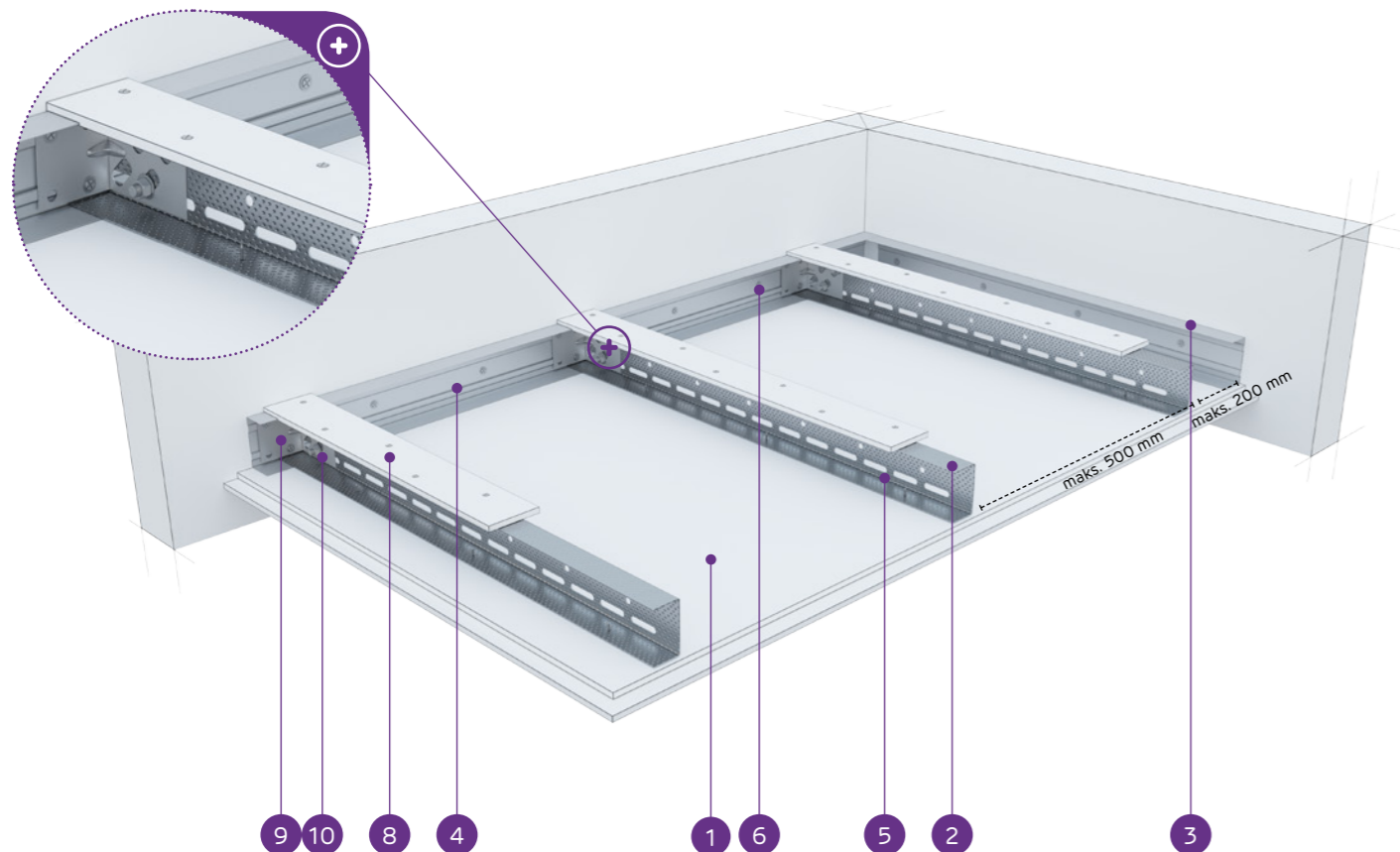
⁴⁾ Enkurošanas elementu tips un skaits jāizvēlas saskaņā ar shēmu, kas iekļauta ITB tehniskajā atzinumā Pašnesošie griesti: ITB 1060/12/R33NK.⁵⁾ Ieteicams izmantot 2 mm pašurbjošās skrūves.⁶⁾ Izmantojot ģipša šķiedru plāksnes Nida Cietā, kā alternatīvu varat izmantot arī Nida Planfix Fresh ģipša špaktele. Patēriņa standartos nav pēti vērtējamie materiālie zaudējumi.

nida Griesti

Ugunsizturības
klase:
(R)EI45
(R)EI60Maksimālais
apdares
platums:
4060 mmMinimālais
piekāršanas
augstums:
60 mmBūves svars
1m²:
23,0-40,0 kgSaisītā
dokumenta
numurs:
EN13964:2004+A1Eksploatacijas īpašību deklarācija:
DoP/Ceiling System/0054/15.11.2016

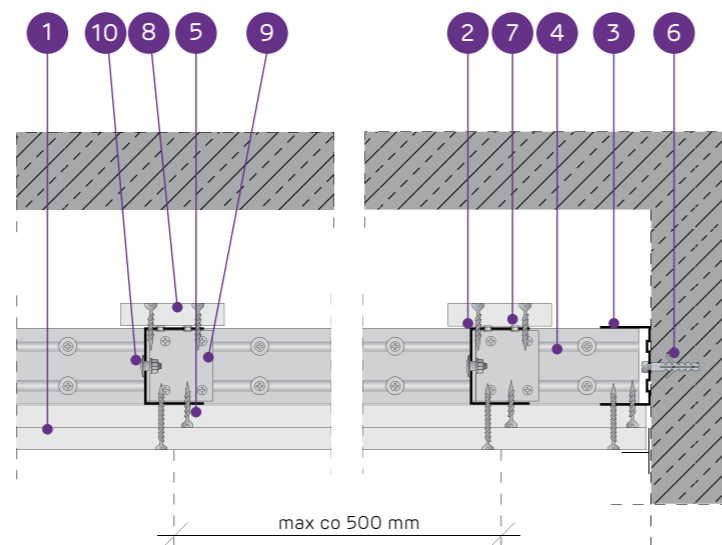
SISTĒMAS:

UAR50/U50/PD/500-25; UAR50/U50/PD/500-30



MATERIĀLI:

1. Ģipškartona plāksnes Nida
2. Nesošais profils Nida UAR 50
3. Konstruktīvais profils Nida U 50
4. Nesošais profils Nida U 50
5. Pašurbjošā skrūve Nida 3,5 x 25 mm
6. Tērauda enkurošanas elements ar Tērauda paplāksni
7. Kniede
8. Pastiprinošā josla no 12,5 mm Nida ģipškartona plāksnes
9. Leņķis Nida UA profilam
10. Skrūve Nida M8



PAŠNESOŠO GRIESTU SISTĒMA AR NIDA UAR50 KONSTRUKCIJU AR PASTIPRINOŠO JOSLU

TEHNISKIE PARAMETRI

Sistēmas tips Nida Griesti	Režģa konstrukcija				Ģipša plākšņu apšuvums		Minimālais piekāršanas augstums	Būves svars 1 m ²	Ugunsizturības klase ¹⁾	Maksimālais griestu apdares platums ²⁾	Īpaša sistē- ma
	Nida nesošā profila tips	Nida nesošā perimetra profila tips	Nida konstruk- cijas perimetra profila tips	Maksimālais Nida UAR50 nesošo profilu atstatums	Nida	Biezums					
			[mm]			[mm]	kg	[min.]	[mm]		
UAR50/U50/PD/500-25/Expert	UAR50	U50	U50	500	Expert	2x12,5	85	23,0	-	4060	-
UAR50/U50/PD/500-25/Ūdens ³⁾	UAR50	U50	U50	500	Ūdens	2x12,5	85	24,0	-	4060	-
UAR50/U50/PD/500-25/Uguns+	UAR50	U50	U50	500	Uguns Pluss	2x12,5	85	27,0	(R)EI45	3710	-
UAR50/U50/PD/500-25/ŪdensUguns+	UAR50	U50	U50	500	Ūdens Uguns Pluss	2x12,5	85	27,0	(R)EI45	3710	-
UAR50/U50/PD/500-25/Cietā	UAR50	U50	U50	500	Cietā	2x12,5	85	34,0	(R)EI45	3430	●
UAR50/U50/PD/500-25/Hydro	UAR50	U50	U50	500	Hydro	2x12,5	85	29,0	(R)EI45	3710	●
UAR50/U50/PD/500-30/Uguns+	UAR50	U50	U50	500	Uguns Pluss	2x15,0	90	35,0	(R)EI60	3430	-
UAR50/U50/PD/500-30/Cietā	UAR50	U50	U50	500	Cietā	2x15,0	90	40,0	(R)EI60	3210	●
UAR50/U50/PD/500-30/Hydro	UAR50	U50	U50	500	Hydro	2x15,0	90	35,0	(R)EI60	3430	●

¹⁾ Ugunsdrošības klasifikācija LBO-458-K/17.²⁾ Tehniskais atzinums ITB 1060/12/R33NK.³⁾ Telpās ar relatīvo gaisa mitrumu līdz 85 % stūra sekcijās pret intensīvu ūdens iedarbību ieteicams izmantot Nida Hydro ģipša šķiedru plāksnes (horizontālām un vertikālām virsmām vannas, dušas utt. zonās).MATERIĀLU PATĒRIŅŠ UZ 1 M² GRIESTU APBŪVES NIDA GRIESTI SISTĒMĀ

Materiāla nosaukums	Mērv.	Sistēmas tips Nida Griesti									
		UAR50/ U50/ PD/500-25/ Expert	UAR50/ U50/ PD/500-25/ Ūdens	UAR50/ U50/ PD/500-25/ Uguns+	UAR50/U50/ PD/500-25/ ŪdensUguns+	UAR50/ U50/ PD/500-25/ Cietā	UAR50/ U50/ PD/500-25/ Hydro	UAR50/ U50/ PD/500-30/ Uguns+	UAR50/ U50/ PD/500-30/ Cietā	UAR50/ U50/ PD/500-30/ Hydro	
Materiāla patēriņš uz 1 m ²											
Plāksne Nida Expert 12,5 mm	m ²	2,3	-	-	-	-	-	-	-	-	-
Plāksne Nida Ūdens 12,5 mm	m ²	-	2,3	-	-	-	-	-	-	-	-
Plāksne Nida Uguns Pluss 12,5 mm	m ²	-	-	2,3	-	-	-	-	-	-	-
Plāksne Nida Ūdens Uguns Pluss 12,5 mm	m ²	-	-	-	2,3	-	-	-	-	-	-
Plāksne Nida Cietā 12,5 mm	m ²	-	-	-	-	2,3	-	-	-	-	-
Plāksne Nida Hydro 12,5 mm	m ²	-	-	-	-	-	2,3	-	-	-	-
Plāksne Nida Uguns Pluss 15,0 mm	m ²	-	-	-	-	-	-	2,3	-	-	-
Plāksne Nida Cietā 15,0 mm	m ²	-	-	-	-	-	-	-	2,3	-	-
Plāksne Nida Hydro 15,0 mm	m ²	-	-	-	-	-	-	-	-	2,3	-
Profils Nida UAR50	tek.m	2,2	2,2	2,2	2,2	2,2	2,2	2,2	2,2	2,2	2,2
Profils Nida U50	tek.m	0,75	0,75	0,75	0,75	0,75	0,75	0,75	0,75	0,75	0,75
Leņķis Nida UAR50 profilam	gab.	1,5	1,5	1,5	1,5	1,5	1,5	1,5	1,5	1,5	1,5
Skrūve Nida M8	gab.	3,0	3,0	3,0	3,0	3,0	3,0	3,0	3,0	3,0	3,0
Kniedes	gab.	2,8	2,8	2,8	2,8	2,8	2,8	2,8	2,8	2,8	2,8
Tērauda enkurošanas elements (tips atbilstoši būves svaram) ⁴⁾	gab.	7,7	7,7	7,7	7,7	7,7	7,7	7,7	7,7	7,7	7,7
Pašurbjošās skrūves Nida 3,5x25 mm ⁵⁾	gab.	15,0	15,0	15,0	15,0	-	-	15,0	-	-	-
Pašurbjošās skrūves Nida 3,5x35 mm ⁵⁾	gab.	18,0	18,0	18,0	18,0	-	-	-	-	-	-
Pašurbjošās skrūves Nida 3,5x45 mm ⁵⁾	gab.	-	-	-	-	-	-	18,0	-	-	-
Pašurbjošās skrūves Nida Cietā 35 (3,9x35 mm) ⁵⁾	gab.	-	-	-	-	33,0	-	-	15,0	-	-
Pašurbjošās skrūves Nida Cietā 45 (3,9x45 mm) ⁵⁾	gab.	-	-	-	-	-	-	-	18,0	-	-
Pašurbjošās skrūves Nida Hydro C4 3,5x25 mm ⁵⁾	gab.	-	-	-	-	-	15,0	-	-	15,0	-
Pašurbjošās skrūves Nida Hydro C4 3,5x41 mm ⁵⁾	gab.	-	-	-	-	-	18,0	-	-	18,0	-
Limente šuvēm Nida	tek.m	1,4	1,4	1,4	1,4	1,4	1,4	1,4	1,4	1,4	1,4
Ģipša špaktele Nida Start	kg	0,6	0,6	0,6	0,6	-	-	0,6	-	-	-
Ģipša špaktele Nida Finisz	kg	0,1	0,1	0,1	0,1	-	-	0,1	-	-	-
Gatavā špakteļmasa Nida Hydromix ⁶⁾	kg	-	-	-	-	0,7	0,7	-	0,7	0,7	0,7

⁴⁾ Enkurošanas elementu tips un skaits jāizvēlas saskaņā ar shēmu, kas iekļauta ITB tehniskajā atzinumā Pašnesošie griesti: ITB 1060/12/R33NK.⁵⁾ Ieteicams izmantot 2 mm pašurbjošās skrūves.⁶⁾ Izmantojot ģipša šķiedru plāksnes Nida Cietā, kā alternatīvu varat izmantot arī Nida Planfix Fresh ģipša špakteli.

Patēriņa standartos nav ņemti vērā materiālie zaudējumi.

nida Griesti

Ugunsizturības
klase:(R)EI60
(R)EI90
(R)EI120Maksimālais
apdares
platums:

3210 mm

Minimālais
piekāršanas
augstums:

60 mm

Būves svars
1m²:

38,0-71,0 kg

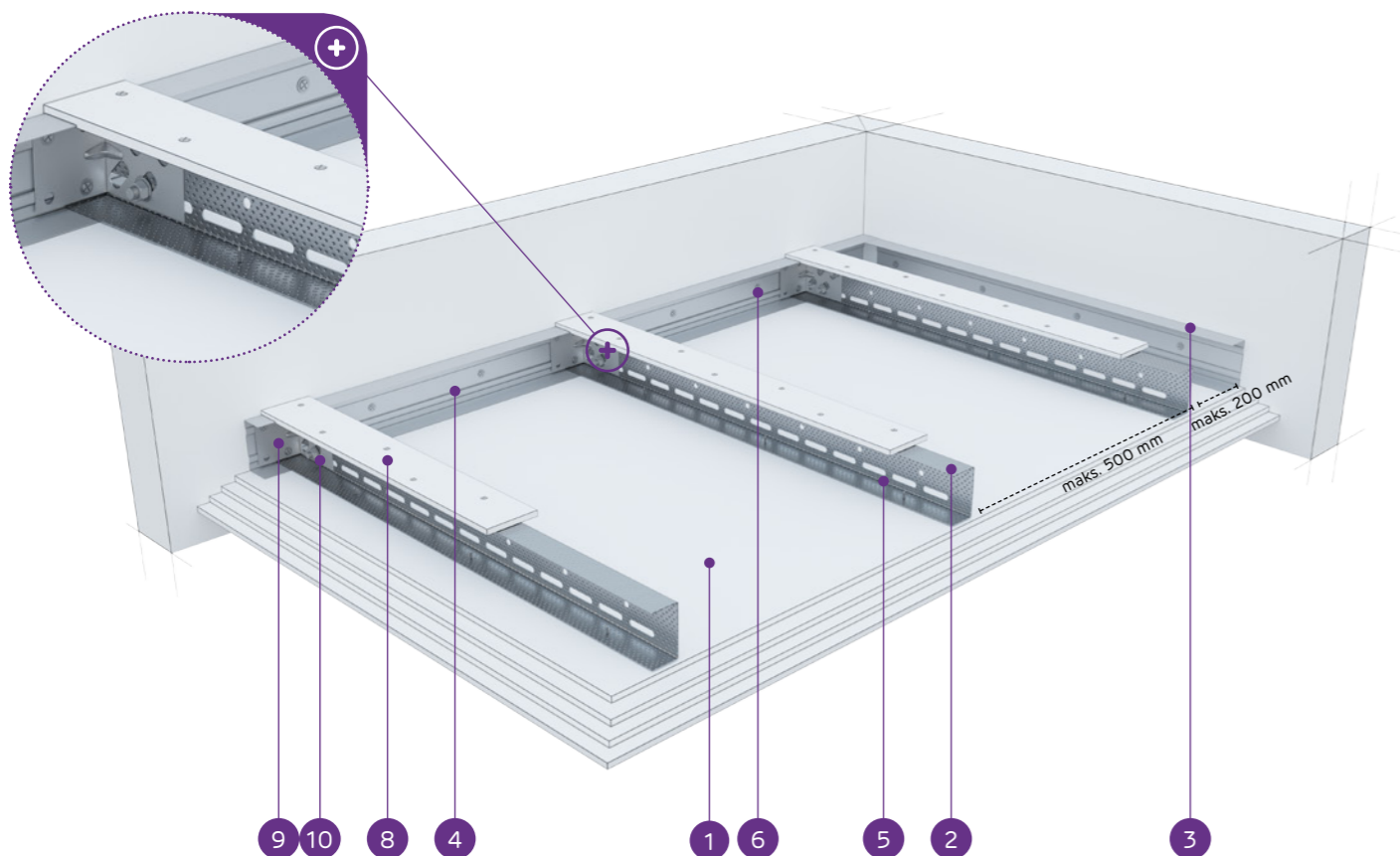
Saistītā
dokumenta
numurs:

EN13964:2004+A1

Eksploatacijas īpašību deklarācija:
DoP/Ceiling System/0054/15.11.2016

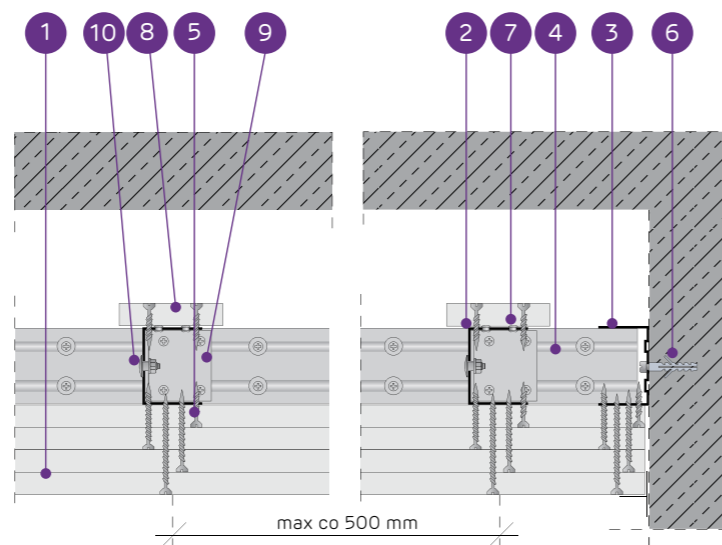
SISTĒMAS:

UAR50/U50/PD/500-37,5; UAR50/U50/PD/500-40; UAR50/U50/PD/500-60



MATERIĀLI:

- Ģipškartona plāksnes Nida
- Nesošais profils Nida UAR 50
- Konstrukcijas profils Nida U 50
- Nesošais profils Nida U 50
- Pašurbjošā skrūve Nida 3,5 x 25 mm
- Tērauda enkurošanas elements ar Tērauda paplāksni
- Kniede
- Pastiprinošā josla no 12,5 mm Nida ģipškartona plāksnes
- Leņķis Nida UA profilam
- Skrūve Nida M8

PAŠNESOŠO GRIESTU SISTĒMA AR NIDA UAR50 KONSTRUKCIJU AR
PASTIPRINOŠO JOSLU

TEHNISKIE PARAMETRI

Sistēmas tips Nida Griesti	Režģa konstrukcija				Ģipša plāksņu apšuvums		Minimālais piekāršanas augstums	Būves svars 1 m ²	Ugunsizturības klase ¹⁾	Maksimālais griestu apdares platums ²⁾	Īpašā sistēma
	Nida nesošā profila tips	Nida nesošā perimetra profila tips	Nida konstrukcijas perimetra profila tips	Maksimālais Nida UAR50 nesošo profilu atstatums [mm]	Nida	Biezums					
							[mm]	[mm]	kg	[min.]	[mm]
UAR50/U50/PD/500-37,5/Uguns+	UAR50	U50	U50	500	Uguns Pluss	3x12,5	97,5	38,0	(R)EI60	3210	-
UAR50/U50/PD/500-37,5/ŪdensUguns+	UAR50	U50	U50	500	Ūdens Uguns Pluss	3x12,5	97,5	38,0	(R)EI60	3210	-
UAR50/U50/PD/500-37,5/Cietā	UAR50	U50	U50	500	Cietā	3x12,5	97,5	47,0	(R)EI60	2870	●
UAR50/U50/PD/500-37,5/Hydro	UAR50	U50	U50	500	Hydro	3x12,5	97,5	40,0	(R)EI60	3210	●
UAR50/U50/PD/500-40/Uguns+	UAR50	U50	U50	500	Uguns Pluss	2x12,5+15,0	100	41,0	(R)EI90	3030	-
UAR50/U50/PD/500-40/Cietā	UAR50	U50	U50	500	Cietā	2x12,5+15,0	100	49,0	(R)EI90	2870	●
UAR50/U50/PD/500-40/Hydro	UAR50	U50	U50	500	Hydro	2x12,5+15,0	100	43,0	(R)EI90	3030	●
UAR50/U50/PD/500-60/Uguns+	UAR50	U50	U50	500	Uguns Pluss	4x15,0	120	63,0	(R)EI120	2520	-
UAR50/U50/PD/500-60/Cietā	UAR50	U50	U50	500	Cietā	4x15,0	120	71,0	(R)EI120	2350	●
UAR50/U50/PD/500-60/Hydro	UAR50	U50	U50	500	Hydro	4x15,0	120	63,0	(R)EI120	2520	●

¹⁾ Ugunsdrošības klasifikācija LBO-458-K/17.²⁾ Tehniskais atzinums ITB 1060/12/R33NK.MATERIĀLU PATĒRIŅŠ UZ 1 M² GRIESTU APBŪVES NIDA GRIESTI SISTĒMĀ

Materiāla nosaukums	Mērv.	Sistēmas tips Nida Griesti									
		UAR50/U50/ PD/500- 37,5/Uguns+	UAR50/U50/ PD/500-37,5/ ŪdensUguns+	UAR50/ U50/ PD/500- 37,5/Cietā	UAR50/ U50/ PD/500- 37,5/Hydro	UAR50/ U50/ PD/500- 40/Uguns+	UAR50/ U50/ PD/500- 40/Cietā	UAR50/ U50/ PD/500- 40/Hydro	UAR50/ U50/ PD/500- 60/Uguns+	UAR50/ U50/ PD/500- 60/Cietā	UAR50/ U50/ PD/500- 60/Hydro
		Materiāla patēriņš uz 1 m ²									
Plāksne Nida Uguns Pluss 12,5 mm	m ²	3,3	-	-	-	2,3	-	-	-	-	-
Plāksne Nida Ūdens Uguns Pluss 12,5 mm	m ²	-	3,3	-	-	-	-	-	-	-	
Plāksne Nida Cietā 12,5 mm	m ²	-	-	3,3	-	-	2,3	-	-	-	
Plāksne Nida Hydro 12,5 mm	m ²	-	-	-	3,3	-	2,3	-	-	-	
Plāksne Nida Uguns Pluss 15,0 mm	m ²	-	-	-	-	1,0	-	-	4,3	-	
Plāksne Nida Cietā 15,0 mm	m ²	-	-	-	-	-	1,0	-	-	4,3	
Plāksne Nida Hydro 15,0 mm	m ²	-	-	-	-	-	-	1,0	-	4,3	
Profils Nida C50	tek.m	2,2	2,2	2,2	2,2	2,2	2,2	2,2	2,2	2,2	
Profils Nida U50	tek.m	0,75	0,75	0,75	0,75	0,75	0,75	0,75	0,75	0,75	
Leņķis Nida UAR50 profilam	gab.	1,5	1,5	1,5	1,5	1,5	1,5	1,5	1,5	1,5	
Skrūve Nida M8	gab.	3,0	3,0	3,0	3,0	3,0	3,0	3,0	3,0	3,0	
Kniedes	gab.	2,8	2,8	2,8	2,8	2,8	2,8	2,8	2,8	2,8	
Tērauda enkurošanas elements (tips atbilstoši būves svaram) ³⁾	gab.	7,7	7,7	7,7	7,7	7,7	7,7	7,7	7,7	7,7	
Pašurbjošās skrūves Nida 3,5x25 mm ⁴⁾	gab.	15,0	15,0	-	-	15,0	-	-	15,0	-	
Pašurbjošās skrūves Nida 3,5x35 mm ⁴⁾	gab.	6,0	6,0	-	-	6,0	-	-	-	-	
Pašurbjošās skrūves Nida 3,5x45 mm ⁴⁾	gab.	-	-	-	-	-	-	6,0	-	-	
Pašurbjošās skrūves Nida 3,5x55 mm ⁴⁾	gab.	18,0	18,0	-	-	18,0	-	-	6,0	-	
Pašurbjošās skrūves Nida 4,2x70 mm ⁴⁾	gab.	-	-	-	-	-	-	-	18,0	-	
Pašurbjošās skrūves Nida Cietā 35 (3,9x35 mm) ⁴⁾	gab.	-	-	21,0	-	-	21,0	-	-	15,0	
Pašurbjošās skrūves Nida Cietā 45 (3,9x45 mm) ⁴⁾	gab.	-	-	-	-	-	-	-	-	6,0	
Pašurbjošās skrūves Nida Cietā 55 (3,9x55 mm) ⁴⁾	gab.	-	-	18,0	-	-	18,0	-	-	6,0	
Pašurbjošās skrūves Nida Cietā 70 (4,2x70 mm) ⁴⁾	gab.	-	-	-	-	-	-	-	-	18,0	
Pašurbjošās skrūves Nida Hydro C4 3,5x25 mm ⁴⁾	gab.	-	-	-	15,0	-	-	15,0	-	-	
Pašurbjošās skrūves Nida Hydro C4 3,5x41 mm ⁴⁾	gab.	-	-	-	6,0	-	-	6,0	-	6,0	
Pašurbjošās skrūves Nida Hydro C4 3,5x55 mm ⁴⁾	gab.	-	-	-	18,0	-	-	18,0	-	6,0	
Pašurbjošās skrūves Nida Hydro C4 4,2x70 mm ⁴⁾	gab.	-	-	-	-	-	-	-	-	18,0	
Limente šuvēm Nida	tek.m	1,4	1,4	1,4	1,4	1,4	1,4	1,4	1,4	1,4	
Ģipša špaktele Nida Start	kg	0,9	0,9	-	-	0,9	-	-	1,2	-	
Ģipša špaktele Nida Finisz	kg	0,1	0,1	-	-	0,1	-	-	0,1	-	
Gatavā špaktelmasa Nida Hydromix ⁵⁾	kg	-	-	1,0	1,0	-	1,0	1,0	-	1,3	

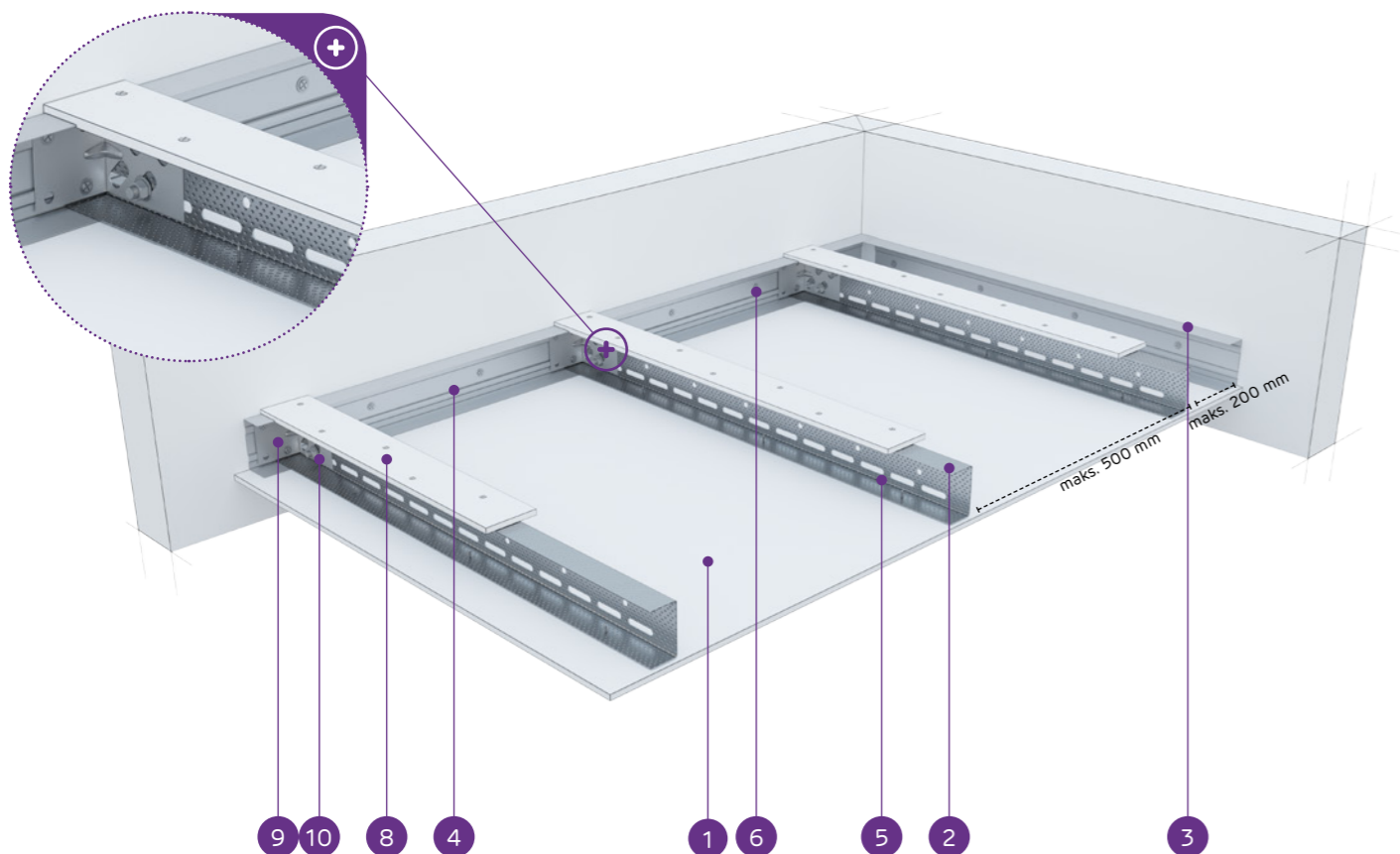
³⁾ Enkurošanas elementu tips un skaits jāizvēlas saskaņā ar shēmu, kas iekļauta ITB tehniskajā atzinumā Pašnesošie griesti: ITB 1060/12/R33NK.⁴⁾ Ieteicams izmantot 2 mm pašurbjošās skrūves.⁵⁾ Izmantojot ģipša šķiedru plāksnes Nida Cietā, kā alternatīvu varat izmantot arī Nida Planfix Fresh ģipša špakteļi. Patēriņa standartos nav ņemti vērā materiālie zaudējumi.

nida Griesti

Ugunsizturības
klase:
(R)EI15
(R)EI30Maksimālais
apdares
platums:
5490 mmMinimālais
piekāršanas
augstums:
85 mmBūves svars
1m²:
15,0-25,0 kgSaisītā
dokumenta
numurs:
EN13964:2004+A1Eksploatacijas īpašību deklarācija:
DoP/Ceiling System/0056/15.11.2016

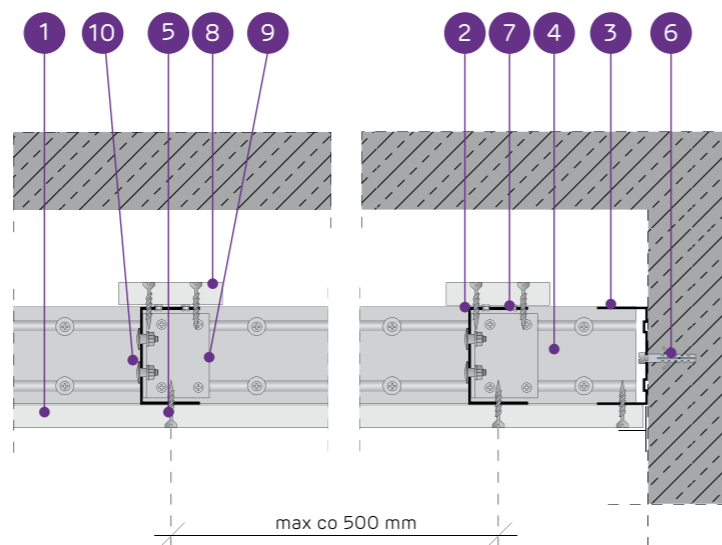
SISTĒMAS:

UAR75/U75/PD/500-12,5; UAR75/U75/PD/500-15; UAR75/U75/PD/500-18



MATERIĀLI:

- Ģipškartona plāksnes Nida
- Nesošais profils Nida UAR 75
- Konstrukcijas profils Nida U 75
- Nesošais profils Nida U 75
- Pašurbjošā skrūve Nida 3,5 x 25 mm
- Tērauda enkurošanas elements ar Tērauda paplāksni
- Kniede
- Pastiprinošā josla no 12,5 mm Nida ģipškartona plāksnes
- Leņķis Nida UA profilam
- Skrūve Nida M8



PAŠNESOŠO GRIESTU SISTĒMA AR NIDA UAR75 KONSTRUKCIJU AR PASTIPRINOŠO JOSLU

TEHNISKIE PARAMETRI

Sistēmas tips Nida Griesti	Režģa konstrukcija				Ģipša plākšņu apšuvums		Minimālais piekāršanas augstums	Būves svars 1 m ²	Ugunsizturības klase ¹⁾	Maksimālais griestu apdares platums ²⁾	Īpašā sistē- ma
	Nida nesošā profila tips	Nida nesošā perimetra profila tips	Nida konstruk- cijas perimetra profila tips	Maksimālais Nida UAR75 nesošo profilu atstatums	Nida	Biezums					
			[mm]			[mm]	kg	[min.]	[mm]		
UAR75/U75/PD/500-12,5/Expert	UAR75	U75	U75	500	Expert	12,5	97,5	15,0	-	5490	-
UAR75/U75/PD/500-12,5/Ūdens ³⁾	UAR75	U75	U75	500	Ūdens	12,5	97,5	16,0	-	4750	-
UAR75/U75/PD/500-12,5/Uguns+	UAR75	U75	U75	500	Uguns Pluss	12,5	97,5	18,0	(R)EI15	4750	-
UAR75/U75/PD/500-12,5/ŪdensUguns+	UAR75	U75	U75	500	Ūdens Uguns Pluss	12,5	97,5	18,0	(R)EI15	4750	-
UAR75/U75/PD/500-12,5/Cietā	UAR75	U75	U75	500	Cietā	12,5	97,5	21,0	(R)EI15	4250	●
UAR75/U75/PD/500-12,5/Hydro	UAR75	U75	U75	500	Hydro	12,5	97,5	19,0	(R)EI15	4750	●
UAR75/U75/PD/500-15/Uguns+	UAR75	U75	U75	500	Uguns Pluss	15,0	100	22,0	(R)EI15	4250	-
UAR75/U75/PD/500-15/Cietā	UAR75	U75	U75	500	Cietā	15,0	100	25,0	(R)EI15	4250	●
UAR75/U75/PD/500-15/Hydro	UAR75	U75	U75	500	Hydro	15,0	100	22,0	(R)EI15	4250	●
UAR75/U75/PD/500-18/Uguns+	UAR75	U75	U75	500	Uguns Pluss	18,0	103	23,0	(R)EI30	4250	-

¹⁾ Ugunsdrošības klasifikācija LBO-458-K/17.²⁾ Tehniskais atzinums ITB 1060/12/R33NK.³⁾ Telpās ar relatīvo gaisa mitrumu līdz 85 % stūra sekcijās pret intensīvu ūdens iedarbību ieteicams izmantot Nida Hydro ģipša šķiedru plāksnes (horizontālām un vertikālām virsmām vannas, dušas utt. zonās).MATERIĀLU PATĒRIŅŠ UZ 1 M² GRIESTU APBŪVES NIDA GRIESTI SISTĒMĀ

Materiāla nosaukums	Mērv.	Sistēmas tips Nida Griesti										
		UAR75/U75/ PD/500-12,5/ Expert	UAR75/U75/ PD/500-12,5/ Ūdens	UAR75/U75/ PD/500- 12,5/Uguns+	UAR75/U75/ PD/500-12,5/ ŪdensUguns+	UAR75/U75/ PD/500-12,5/ Cietā	UAR75/U75/ PD/500-12,5/ Hydro	UAR75/U75/ PD/500-15/ Uguns+	UAR75/U75/ PD/500-15/ Cietā	UAR75/U75/ PD/500-15/ Hydro	UAR75/U75/ PD/500-18/ Uguns+	
Materiāla patēriņš uz 1 m ²												
Plāksne Nida Expert 12,5 mm	m ²	1,3	-	-	-	-	-	-	-	-	-	
Plāksne Nida Ūdens 12,5 mm	m ²	-	1,3	-	-	-	-	-	-	-	-	
Plāksne Nida Uguns Pluss 12,5 mm	m ²	-	-	1,3	-	-	-	-	-	-	-	
Plāksne Nida Ūdens Uguns Pluss 12,5 mm	m ²	-	-	-	1,3	-	-	-	-	-	-	
Plāksne Nida Cietā 12,5 mm	m ²	-	-	-	-	1,3	-	-	-	-	-	
Plāksne Nida Hydro 12,5 mm	m ²	-	-	-	-	-	1,3	-	-	-	-	
Plāksne Nida Uguns Pluss 15,0 mm	m ²	-	-	-	-	-	-	1,3	-	-	-	
Plāksne Nida Cietā 15,0 mm	m ²	-	-	-	-	-	-	-	1,3	-	-	
Plāksne Nida Hydro 15,0 mm	m ²	-	-	-	-	-	-	-	-	1,3	-	
Plāksne Nida Uguns Pluss 18,0 mm	m ²	-	-	-	-	-	-	-	-	-	1,3	
Profils Nida UAR75	tek.m	2,2	2,2	2,2	2,2	2,2	2,2	2,2	2,2	2,2	2,2	
Profils Nida U75	tek.m	0,75	0,75	0,75	0,75	0,75	0,75	0,75	0,75	0,75	0,75	
Leņķis Nida UAR75 profilam	gab.	1,5	1,5	1,5	1,5	1,5	1,5	1,5	1,5	1,5	1,5	
Skrūve Nida M8	gab.	3,0	3,0	3,0	3,0	3,0	3,0	3,0	3,0	3,0	3,0	
Kniedes	gab.	2,8	2,8	2,8	2,8	2,8	2,8	2,8	2,8	2,8	2,8	
Tērauda enkurošanas elements (tips atbilstoši būves svaram) ⁴⁾	gab.	7,7	7,7	7,7	7,7	7,7	7,7	7,7	7,7	7,7	7,7	
Pašurbjošās skrūves Nida 3,5x25 mm ⁵⁾	gab.	27,0	27,0	27,0	27,0	-	-	27,0	-	-	-	
Pašurbjošās skrūves Nida 3,5x35 mm ⁵⁾	gab.	-	-	-	-	-	-	-	-	-	27,0	
Pašurbjošās skrūves Nida Cietā 35 (3,9x35 mm) ⁵⁾	gab.	-	-	-	-	27,0	-	-	27,0	-	-	
Pašurbjošās skrūves Nida Hydro C4 3,5x25 mm ⁵⁾	gab.	-	-	-	-	-	27,0	-	-	27,0	-	
Līmēte šuvēm Nida	tek.m	1,4	1,4	1,4	1,4	1,4	1,4	1,4	1,4	1,4	1,4	
Ģipša špaktele Nida Start	kg	0,3	0,3	0,3	0,3	-	-	0,3	-	-	0,3	
Ģipša špaktele Nida Finisz	kg	0,1	0,1	0,1	0,1	-	-	0,1	-	-	0,1	
Gatavā špaktelmasa Nida Hydromix ⁶⁾	kg	-	-	-	-	0,4	0,4	-	0,4	0,4	-	

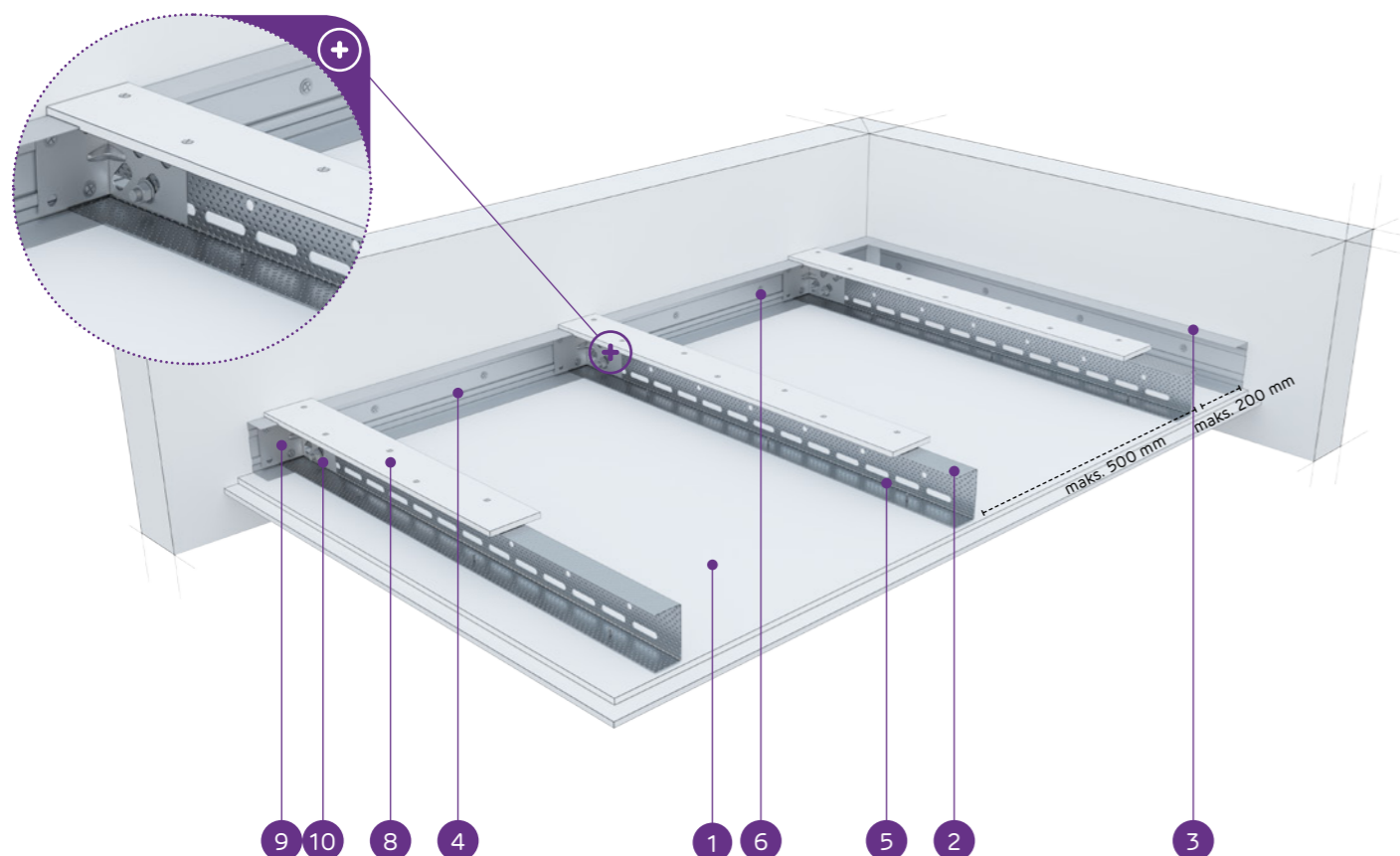
⁴⁾ Enkurošanas elementu tips un skaits jāizvēlas saskaņā ar shēmu, kas iekļauta ITB tehniskajā atzinumā Pašnesošie griesti: ITB 1060/12/R33NK.⁵⁾ Ieteicams izmantot 2 mm pašurbjošās skrūves.⁶⁾ Izmantojot ģipša šķiedru plāksnes Nida Cietā, kā alternatīvu varat izmantot arī Nida Planfix Fresh ģipša špakteļi. Patēriņa standartos nav ņemti vērā materiālie zaudējumi.

nida Griesti

Ugunsizturības
klase:
(R)EI45
(R)EI60Maksimālais
apdares
platums:
4470 mmMinimālais
piekāršanas
augstums:
85 mmBūves svars
1m²:
24,0-41,0 kgSaisītā
dokumenta
numurs:
EN13964:2004+A1Eksploatacijas īpašību deklarācija:
DoP/Ceiling System/0056/15.11.2016

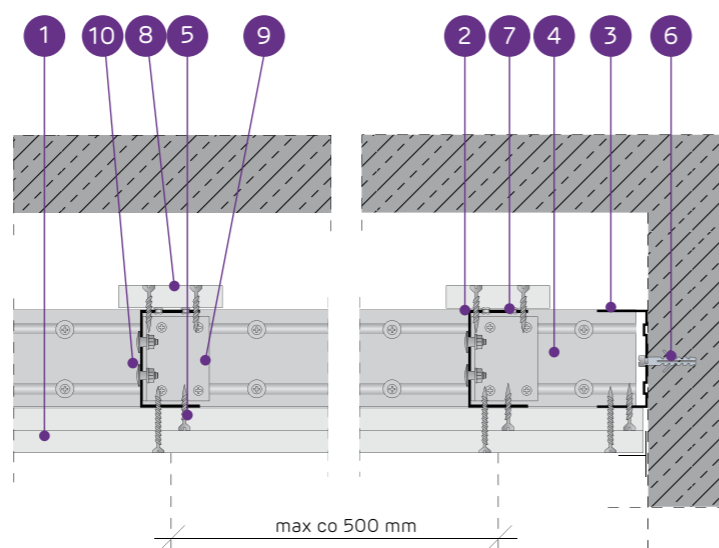
SISTĒMAS:

UAR75/U75/PD/500-25; UAR75/U75/PD/500-30



MATERIĀLI:

- Ģipškartona plāksnes Nida
- Nesošais profils Nida UAR 75
- Konstrukcijas profils Nida U 75
- Nesošais profils Nida U 75
- Pašurbjošā skrūve Nida 3,5 x 25 mm
- Tērauda enkurošanas elements ar Tērauda paplāksni
- Kniede
- Pastiprinošā josla no 12,5 mm Nida ģipškartona plāksnes
- Leņķis Nida UA profilam
- Skrūve Nida M8

PAŠNESOŠO GRIESTU SISTĒMA AR NIDA UAR75 KONSTRUKCIJU AR
PASTIPRINOŠO JOSLU

TEHNISKIE PARAMETRI

Sistēmas tips Nida Griesti	Režģa konstrukcija				Ģipša plāksņu apšuvums		Minimālais piekāršanas augstums	Būves svars 1 m ²	Ugunsizturības klase ¹⁾	Maksimālais griestu apdares platums ²⁾	Īpaša sistē- ma	
	Nida nesošā profila tips	Nida nesošā perimetra profila tips	Nida konstruk- cijas perimetra profila tips	Maksimālais Nida UAR75 nesošo profilu atstatums	[mm]	Ģipša						Biezums
UAR75/U75/PD/500-25/Expert	UAR75	U75	U75	500	Expert	2x12,5	110	24,0	-	4470	-	
UAR75/U75/PD/500-25/Ūdens ³⁾	UAR75	U75	U75	500	Ūdens	2x12,5	110	25,0	-	4470	-	
UAR75/U75/PD/500-25/Uguns+	UAR75	U75	U75	500	Uguns Pluss	2x12,5	110	28,0	(R)EI45	4080	-	
UAR75/U75/PD/500-25/ŪdensUguns+	UAR75	U75	U75	500	Ūdens Uguns Pluss	2x12,5	110	28,0	(R)EI45	4080	-	
UAR75/U75/PD/500-25/Cietā	UAR75	U75	U75	500	Cietā	2x12,5	110	30,0	(R)EI45	3780	●	
UAR75/U75/PD/500-25/Hydro	UAR75	U75	U75	500	Hydro	2x12,5	110	30,0	(R)EI45	4080	●	
UAR75/U75/PD/500-30/Uguns+	UAR75	U75	U75	500	Uguns Pluss	2x15,0	115	36,0	(R)EI60	3530	-	
UAR75/U75/PD/500-30/Cietā	UAR75	U75	U75	500	Cietā	2x15,0	115	41,0	(R)EI60	3330	●	
UAR75/U75/PD/500-30/Hydro	UAR75	U75	U75	500	Hydro	2x15,0	115	36,0	(R)EI60	3530	●	

¹⁾ Ugunsdrošības klasifikācija LBO-458-K/17.²⁾ Tehniskais atzinums ITB 1060/12/R33NK.³⁾ Telpās ar relatīvo gaisa mitrumu līdz 85 % stūrī sekcijās pret intensīvu ūdens iedarbību ieteicams izmantot Nida Hydro ģipša šķiedru plāksnes (horizontālām un vertikālām virsmām vannas, dušas utt. zonās).MATERIĀLU PATĒRIŅŠ UZ 1 M² GRIESTU APBŪVES NIDA GRIESTI SISTĒMĀ

Materiāla nosaukums	Mērv.	Sistēmas tips Nida Griesti									
		UAR75/ U75/ PD/500-25/ Expert	UAR75/ U75/ PD/500- 25/Ūdens	UAR75/ U75/ PD/500- 25/Uguns+	UAR75/U75/ PD/500-25/ ŪdensUguns+	UAR75/ U75/ PD/500-25/ Cietā	UAR75/ U75/ PD/500-25/ Hydro	UAR75/ U75/ PD/500- 30/Uguns+	UAR75/ U75/ PD/500- 30/Cietā	UAR75/ U75/ PD/500- 30/Hydro	
		Materiāla patēriņš uz 1 m ²									
Plāksne Nida Expert 12,5 mm	m ²	2,3	-	-	-	-	-	-	-	-	
Plāksne Nida Ūdens 12,5 mm	m ²	-	2,3	-	-	-	-	-	-	-	
Plāksne Nida Uguns Pluss 12,5 mm	m ²	-	-	2,3	-	-	-	-	-	-	
Plāksne Nida Ūdens Uguns Pluss 12,5 mm	m ²	-	-	-	2,3	-	-	-	-	-	
Plāksne Nida Cietā 12,5 mm	m ²	-	-	-	-	2,3	-	-	-	-	
Plāksne Nida Hydro 12,5 mm	m ²	-	-	-	-	-	2,3	-	-	-	
Plāksne Nida Uguns Pluss 15,0 mm	m ²	-	-	-	-	-	-	2,3	-	-	
Plāksne Nida Cietā 15,0 mm	m ²	-	-	-	-	-	-	-	2,3	-	
Plāksne Nida Hydro 15,0 mm	m ²	-	-	-	-	-	-	-	-	2,3	
Profils Nida UAR75	tek.m	2,2	2,2	2,2	2,2	2,2	2,2	2,2	2,2	2,2	
Profils Nida U75	tek.m	0,75	0,75	0,75	0,75	0,75	0,75	0,75	0,75	0,75	
Leņķis Nida UAR75 profilam	gab.	1,5	1,5	1,5	1,5	1,5	1,5	1,5	1,5	1,5	
Skrūve Nida M8	gab.	3,0	3,0	3,0	3,0	3,0	3,0	3,0	3,0	3,0	
Kniedes	gab.	2,8	2,8	2,8	2,8	2,8	2,8	2,8	2,8	2,8	
Tērauda enkurošanas elements (tips atbilstoši būves svaram) ⁴⁾	gab.	7,7	7,7	7,7	7,7	7,7	7,7	7,7	7,7	7,7	
Pašurbjošās skrūves Nida 3,5x25 mm ⁵⁾	gab.	15,0	15,0	15,0	15,0	-	-	15,0	-	-	
Pašurbjošās skrūves Nida 3,5x35 mm ⁵⁾	gab.	18,0	18,0	18,0	18,0	-	-	-	-	-	
Pašurbjošās skrūves Nida 3,5x45 mm ⁵⁾	gab.	-	-	-	-	-	-	18,0	-	-	
Pašurbjošās skrūves Nida Cietā 35 (3,9x35 mm) ⁵⁾	gab.	-	-	-	-	33,0	-	-	15,0	-	
Pašurbjošās skrūves Nida Cietā 45 (3,9x45 mm) ⁵⁾	gab.	-	-	-	-	-	-	-	18,0	-	
Pašurbjošās skrūves Nida Hydro C4 3,5x25 mm ⁵⁾	gab.	-	-	-	-	-	15,0	-	-	15,0	
Pašurbjošās skrūves Nida Hydro C4 3,5x41 mm ⁵⁾	gab.	-	-	-	-	-	18,0	-	-	18,0	
Limente šuvēm Nida	tek.m	1,4	1,4	1,4	1,4	1,4	1,4	1,4	1,4	1,4	
Ģipša špaktele Nida Start	kg	0,6	0,6	0,6	0,6	-	-	0,6	-	-	
Ģipša špaktele Nida Finisz	kg	0,1	0,1	0,1	0,1	-	-	0,1	-	-	
Ģipša špaktele Nida Hydromix ⁶⁾	kg	-	-	-	-	0,7	0,7	-	0,7	0,7	

⁴⁾ Enkurošanas elementu tips un skaits jāizvēlas saskaņā ar shēmu, kas iekļauta ITB tehniskajā atzinumā Pašnesošie griesti: ITB 1060/12/R33NK.⁵⁾ Ieteicams izmantot 2 mm pašurbjošās skrūves.⁶⁾ Izmantojot ģipša šķiedru plāksnes Nida Cietā, kā alternatīvu varat izmantot arī Nida Planfix Fresh ģipša špakteļi. Patērējama standarta nav ņemti vērā materiālie zaudējumi.

nida Griesti

Ugunsizturības
klase:(R)EI60
(R)EI90
(R)EI120Maksimālais
apdares
platums:

3530 mm

Minimālais
piekāršanas
augstums:

85 mm

Būves svars
1m²:

38,0-72,0 kg

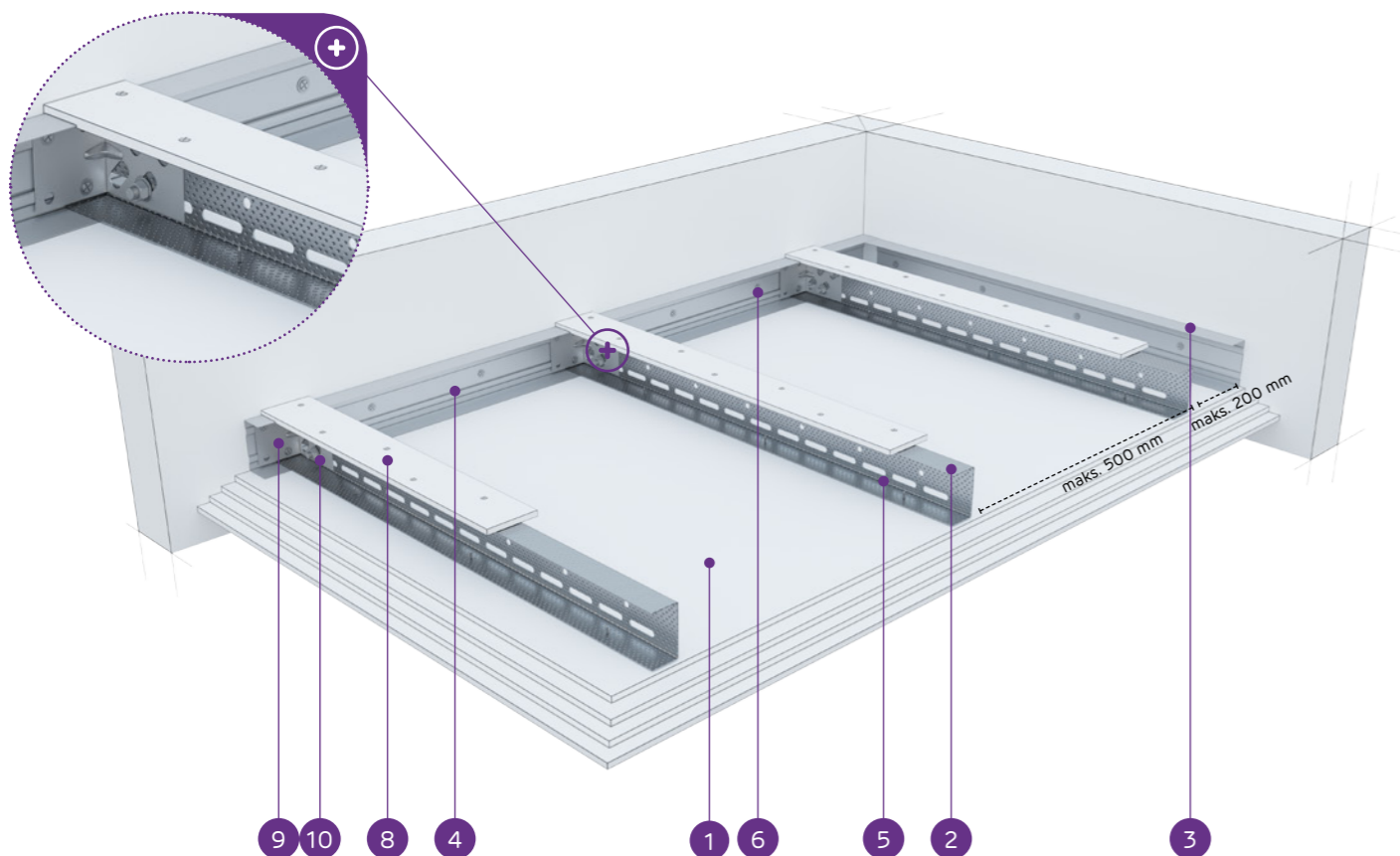
Saistītā
dokumenta
numurs:

EN13964:2004+A1

Eksploatacijas īpašību deklarācija:
DoP/Ceiling System/0056/15.11.2016

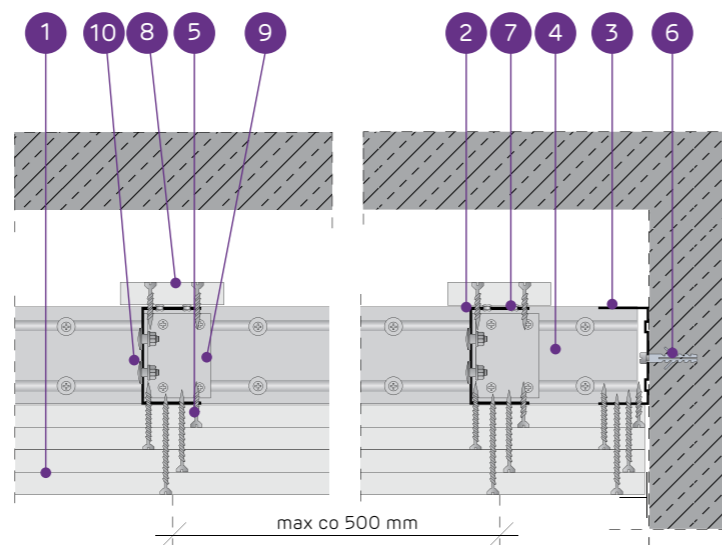
SISTĒMAS:

UAR75/U75/PD/500-37,5; UAR75/U75/PD/500-40; UAR75/U75/PD/500-60



MATERIĀLI:

- Ģipškartona plāksnes Nida
- Nesošais profils Nida UAR 75
- Konstrukcijas profils Nida U 75
- Nesošais profils Nida U 75
- Pašurbjošā skrūve Nida 3,5 x 25 mm
- Tērauda enkurošanas elements ar Tērauda paplāksni
- Kniede
- Pastiprinošā josla no 12,5 mm Nida ģipškartona plāksnes
- Leņķis Nida UA profilam
- Skrūve Nida M8



PAŠNESOŠO GRIESTU SISTĒMA AR NIDA UAR75 KONSTRUKCIJU AR PASTIPRINOŠO JOSLU

TEHNISKIE PARAMETRI

Sistēmas tips Nida Griesti	Režģa konstrukcija				Ģipša plāksņu apšuvums	Minimālais piekāršanas augstums	Būves svars 1 m ²	Ugunsizturības klase ¹⁾	Maksimālais griestu apdares platums ²⁾	Īpašā sistēma	
	Nida nesošā profila tips	Nida nesošā perimetra profila tips	Nida konstrukcijas perimetra profila tips	Maksimālais Nida UAR75 nesošo profilu atstatums [mm]							Nida
UAR75/U75/PD/500-37,5/Uguns+	UAR75	U75	U75	500	Uguns Pluss	3x12,5	122,5	38,0	(R)EI60	3530	-
UAR75/U75/PD/500-37,5/ŪdensUguns+	UAR75	U75	U75	500	Ūdens Uguns Pluss	3x12,5	122,5	38,0	(R)EI60	3530	-
UAR75/U75/PD/500-37,5/Cietā	UAR75	U75	U75	500	Cietā	3x12,5	122,5	48,0	(R)EI60	3160	●
UAR75/U75/PD/500-37,5/Hydro	UAR75	U75	U75	500	Hydro	3x12,5	122,5	41,0	(R)EI60	3330	●
UAR75/U75/PD/500-40/Uguns+	UAR75	U75	U75	500	Uguns Pluss	2x12,5+15,0	125	42,0	(R)EI90	3330	-
UAR75/U75/PD/500-40/Cietā	UAR75	U75	U75	500	Cietā	2x12,5+15,0	125	50,0	(R)EI90	3160	●
UAR75/U75/PD/500-40/Hydro	UAR75	U75	U75	500	Hydro	2x12,5+15,0	125	44,0	(R)EI90	3330	●
UAR75/U75/PD/500-60/Uguns+	UAR75	U75	U75	500	Uguns Pluss	4x15,0	145	64,0	(R)EI120	2770	-
UAR75/U75/PD/500-60/Cietā	UAR75	U75	U75	500	Cietā	4x15,0	145	72,0	(R)EI120	2580	●
UAR75/U75/PD/500-60/Hydro	UAR75	U75	U75	500	Hydro	4x15,0	145	64,0	(R)EI120	2770	●

¹⁾ Ugunsdrošības klasifikācija LBO-458-K/17.²⁾ Tehniskais atzinums ITB 1060/12/R33NK.MATERIĀLU PATĒRIŅŠ UZ 1 M² GRIESTU APBŪVES NIDA GRIESTI SISTĒMĀ

Materiāla nosaukums	Mērv.	Sistēmas tips Nida Griesti									
		UAR75/ U75/ PD/500- 37,5/ Uguns+	UAR75/U75/ PD/500-37,5/ ŪdensUguns+	UAR75/ U75/ PD/500- 37,5/Cietā	UAR75/ U75/ PD/500- 37,5/Hydro	UAR75/ U75/ PD/500- 40/ Uguns+	UAR75/ U75/ PD/500- 40/Cietā	UAR75/ U75/ PD/500- 40/Hydro	UAR75/ U75/ PD/500- 60/ Uguns+	UAR75/ U75/ PD/500- 60/Cietā	UAR75/ U75/ PD/500- 60/Hydro
Materiāla patēriņš uz 1 m ²											
Plāksne Nida Uguns Pluss 12,5 mm	m ²	3,3	-	-	-	2,3	-	-	-	-	-
Plāksne Nida Ūdens Uguns Pluss 12,5 mm	m ²	-	3,3	-	-	-	-	-	-	-	-
Plāksne Nida Cietā 12,5 mm	m ²	-	-	3,3	-	2,3	-	-	-	-	-
Plāksne Nida Hydro 12,5 mm	m ²	-	-	-	3,3	-	2,3	-	-	-	-
Plāksne Nida Uguns Pluss 15,0 mm	m ²	-	-	-	-	1,0	-	-	4,3	-	-
Plāksne Nida Cietā 15,0 mm	m ²	-	-	-	-	-	1,0	-	-	4,3	-
Plāksne Nida Hydro 15,0 mm	m ²	-	-	-	-	-	-	1,0	-	-	4,3
Profils Nida UAR75	tek.m	2,2	2,2	2,2	2,2	2,2	2,2	2,2	2,2	2,2	2,2
Profils Nida U75	tek.m	0,75	0,75	0,75	0,75	0,75	0,75	0,75	0,75	0,75	0,75
Leņķis Nida UAR75 profilam	gab.	1,5	1,5	1,5	1,5	1,5	1,5	1,5	1,5	1,5	1,5
Skrūve Nida M8	gab.	3,0	3,0	3,0	3,0	3,0	3,0	3,0	3,0	3,0	3,0
Kniedes	gab.	2,8	2,8	2,8	2,8	2,8	2,8	2,8	2,8	2,8	2,8
Tērauda enkurošanas elements (tips atbilstoši būves svaram) ³⁾	gab.	7,7	7,7	7,7	7,7	7,7	7,7	7,7	7,7	7,7	7,7
Pašurbjošās skrūves Nida 3,5x25 mm ⁴⁾	gab.	15,0	15,0	-	-	15,0	-	-	15,0	-	-
Pašurbjošās skrūves Nida 3,5x35 mm ⁴⁾	gab.	6,0	6,0	-	-	6,0	-	-	-	-	-
Pašurbjošās skrūves Nida 3,5x45 mm ⁴⁾	gab.	-	-	-	-	-	-	-	6,0	-	-
Pašurbjošās skrūves Nida 3,5x55 mm ⁴⁾	gab.	18,0	18,0	-	-	18,0	-	-	6,0	-	-
Pašurbjošās skrūves Nida 4,2x70 mm ⁴⁾	gab.	-	-	-	-	-	-	-	18,0	-	-
Pašurbjošās skrūves Nida Cietā 35 (3,9x35 mm) ⁴⁾	gab.	-	-	21,0	-	-	21,0	-	-	15,0	-
Pašurbjošās skrūves Nida Cietā 45 (3,9x45 mm) ⁴⁾	gab.	-	-	-	-	-	-	-	-	6,0	-
Pašurbjošās skrūves Nida Cietā 55 (3,9x55 mm) ⁴⁾	gab.	-	-	18,0	-	-	18,0	-	-	6,0	-
Pašurbjošās skrūves Nida Cietā 70 (4,2x70 mm) ⁴⁾	gab.	-	-	-	-	-	-	-	-	18,0	-
Pašurbjošās skrūves Nida Hydro C4 3,5x25 mm ⁴⁾	gab.	-	-	-	15,0	-	-	15,0	-	-	15,0
Pašurbjošās skrūves Nida Hydro C4 3,5x41 mm ⁴⁾	gab.	-	-	-	6,0	-	-	6,0	-	-	6,0
Pašurbjošās skrūves Nida Hydro C4 3,5x55 mm ⁴⁾	gab.	-	-	-	18,0	-	-	18,0	-	-	6,0
Pašurbjošās skrūves Nida Hydro C4 4,2x70 mm ⁴⁾	gab.	-	-	-	-	-	-	-	-	-	18,0
Limente šuvēm Nida	tek.m	1,4	1,4	1,4	1,4	1,4	1,4	1,4	1,4	1,4	1,4
Ģipša špaktele Nida Start	kg	0,9	0,9	-	-	0,9	-	-	1,2	-	-
Ģipša špaktele Nida Finisz	kg	0,1	0,1	-	-	0,1	-	-	0,1	-	-
Gatavā špaktele/masa Nida Hydromix ⁵⁾	kg	-	-	1,0	1,0	-	1,0	1,0	-	1,3	1,3

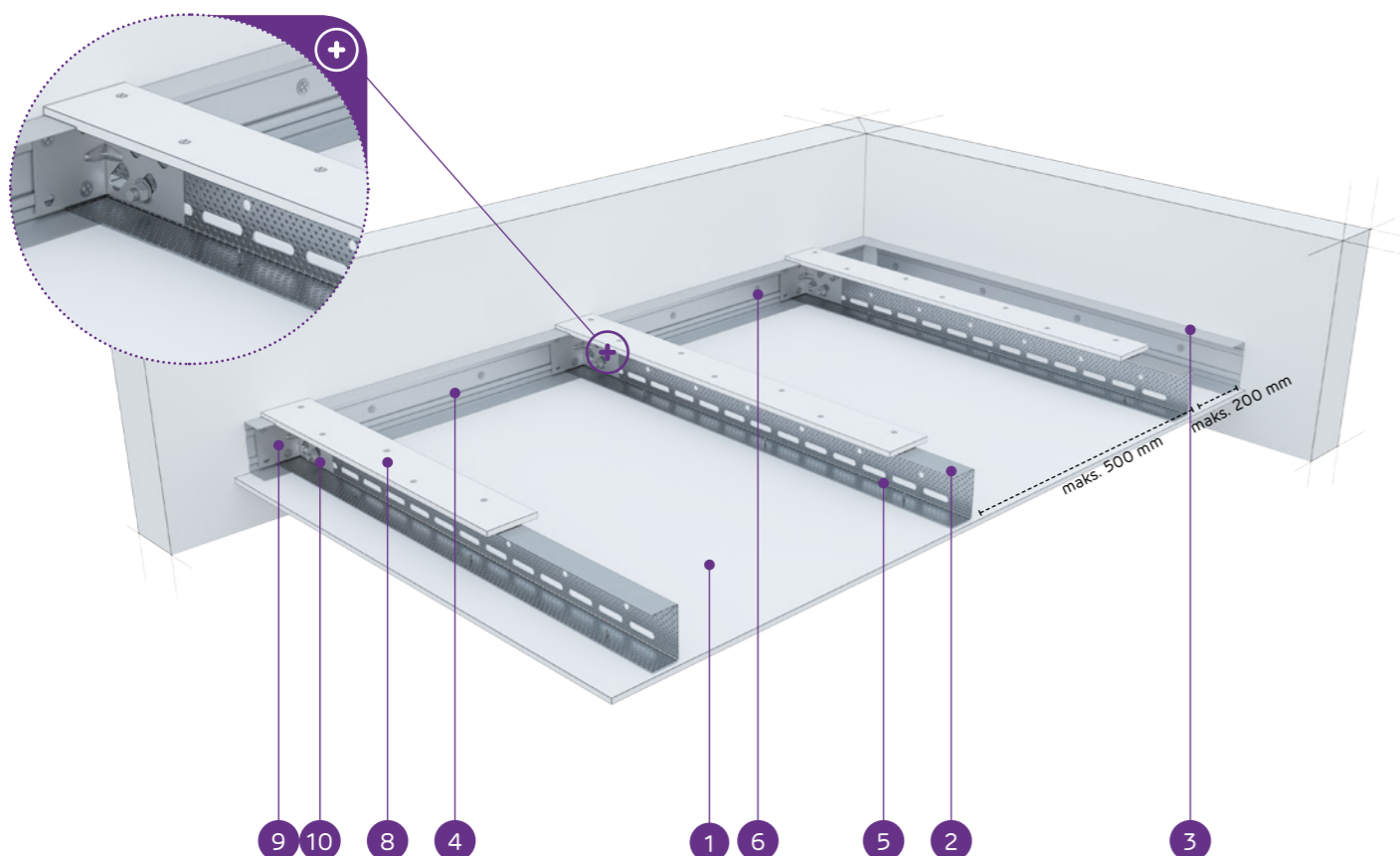
³⁾ Enkurošanas elementu tips un skaits jāizvēlas saskaņā ar shēmu, kas iekļauta ITB tehniskajā atzinumā Pašnesošie griesti: ITB 1060/12/R33NK.⁴⁾ Ieteicams izmantot 2 mm pašurbjošās skrūves.⁵⁾ Izmantojot ģipša šķiedru plāksnes Nida Cietā, kā alternatīvu varat izmantot arī Nida Planfix Fresh ģipša špakteļi. Patēriņa standartos nav ņemti vērā materiālie zaudējumi.

nida Griesti

Ugunsizturības
klase:
(R)EI15
(R)EI30Maksimālais
apdares
platums:
5900 mmMinimālais
piekāršanas
augstums:
110 mmBūves svars
1m²:
16,0-26,0 kgSaisītā
dokumenta
numurs:
EN13964:2004+A1Eksploatacijas īpašību deklarācija:
DoP/Ceiling System/0058/15.11.2016

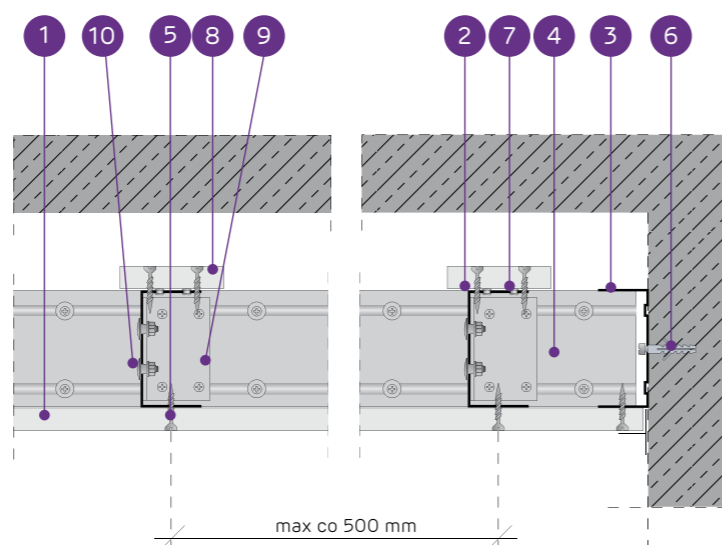
SISTĒMAS:

UAR100/U100/PD/500-12,5; UAR100/U100/PD/500-15; UAR100/U100/PD/500-18



MATERIĀLI:

- Ģipškartona plāksnes Nida
- Nesošais profils Nida UAR 100
- Konstrukcijas profils Nida U 100
- Nesošais profils Nida U 100
- Pašurbjošā skrūve Nida 3,5 x 25 mm
- Tērauda enkurošanas elements ar Tērauda paplāksni
- Kniede
- Pastiprinošā josla no 12,5 mm Nida ģipškartona plāksnes
- Leņķis Nida UA profilam
- Skrūve Nida M8

PAŠNESOŠO GRIESTU SISTĒMA AR NIDA UAR100 KONSTRUKCIJU AR
PASTIPRINOŠO JOSLU

TEHNISKIE PARAMETRI

Sistēmas tips Nida Griesti	Režģa konstrukcija				Ģipša plāksņu apšuvums		Minimālais piekāršanas augstums	Būves svars 1 m ²	Ugunsizturības klase ¹⁾	Maksimālais griestu apdares platums ²⁾	Īpašā sistē- ma
	Nida nesošā profila tips	Nida nesošā perimetra profila tips	Nida konstruk- cijas perimetra profila tips	Maksimālais Nida UAR100 nesošo profilu atstatums [mm]	Nida	Biezums					
UAR100/U100/PD/500-12,5/Expert	UAR100	U100	U100	500	Expert	12,5	122,5	16,0	-	5900	-
UAR100/U100/PD/500-12,5/Ūdens ³⁾	UAR100	U100	U100	500	Ūdens	12,5	122,5	17,0	-	5900	-
UAR100/U100/PD/500-12,5/Uguns+	UAR100	U100	U100	500	Uguns Pluss	12,5	122,5	19,0	(R)EI15	5900	-
UAR100/U100/PD/500-12,5/ŪdensUguns+	UAR100	U100	U100	500	Ūdens Uguns Pluss	12,5	122,5	19,0	(R)EI15	5900	-
UAR100/U100/PD/500-12,5/Cietā	UAR100	U100	U100	500	Cietā	12,5	122,5	22,0	(R)EI15	5280	●
UAR100/U100/PD/500-12,5/Hydro	UAR100	U100	U100	500	Hydro	12,5	122,5	20,0	(R)EI15	5900	●
UAR100/U100/PD/500-15/Uguns+	UAR100	U100	U100	500	Uguns Pluss	15,0	125	23,0	(R)EI15	5280	-
UAR100/U100/PD/500-15/Cietā	UAR100	U100	U100	500	Cietā	15,0	125	26,0	(R)EI15	4820	●
UAR100/U100/PD/500-15/Hydro	UAR100	U100	U100	500	Hydro	15,0	125	23,0	(R)EI15	5280	●
UAR100/U100/PD/500-18/Uguns+	UAR100	U100	U100	500	Uguns Pluss	18,0	128	24,0	(R)EI30	5280	-

¹⁾ Ugunsdrošības klasifikācija LBO-458-K/17.²⁾ Tehniskais atzinums ITB 1060/12/R33NK.³⁾ Telpās ar relatīvo gaisa mitrumu līdz 85 % stūra sekcijās pret intensīvu ūdens iedarbību ieteicams izmantot Nida Hydro ģipša šķiedru plāksnes (horizontālām un vertikālām virsmām vannas, dušas utt. zonās).MATERIĀLU PATĒRIŅŠ UZ 1 M² GRIESTU APBŪVES NIDA GRIESTI SISTĒMĀ

Materiāla nosaukums	Mērv.	Sistēmas tips Nida Griesti									
		UAR100/ U100/ PD/500-12,5/ Expert	UAR100/ U100/ PD/500-12,5/ Ūdens	UAR100/ U100/ PD/500-12,5/ Uguns+	UAR100/ U100/ PD/500-12,5/ Uguns+	UAR100/ U100/ PD/500-12,5/ Cietā	UAR100/ U100/ PD/500-12,5/ Hydro	UAR100/ U100/ PD/500-15/ Uguns+	UAR100/ U100/ PD/500-15/ Cietā	UAR100/ U100/ PD/500-15/ Hydro	UAR100/ U100/ PD/500-18/ Uguns+
Materiāla patēriņš uz 1 m ²											
Plāksne Nida Expert 12,5 mm	m ²	1,3	-	-	-	-	-	-	-	-	-
Plāksne Nida Ūdens 12,5 mm	m ²	-	1,3	-	-	-	-	-	-	-	-
Plāksne Nida Uguns Pluss 12,5 mm	m ²	-	-	1,3	-	-	-	-	-	-	-
Plāksne Nida Ūdens Uguns Pluss 12,5 mm	m ²	-	-	-	1,3	-	-	-	-	-	-
Plāksne Nida Cietā 12,5 mm	m ²	-	-	-	-	1,3	-	-	-	-	-
Plāksne Nida Hydro 12,5 mm	m ²	-	-	-	-	-	1,3	-	-	-	-
Plāksne Nida Uguns Pluss 15,0 mm	m ²	-	-	-	-	-	-	1,3	-	-	-
Plāksne Nida Cietā 15,0 mm	m ²	-	-	-	-	-	-	-	1,3	-	-
Plāksne Nida Hydro 15,0 mm	m ²	-	-	-	-	-	-	-	-	1,3	-
Plāksne Nida Uguns Pluss 18,0 mm	m ²	-	-	-	-	-	-	-	-	-	1,3
Profils Nida UAR100	tek.m	2,2	2,2	2,2	2,2	2,2	2,2	2,2	2,2	2,2	2,2
Profils Nida U100	tek.m	0,75	0,75	0,75	0,75	0,75	0,75	0,75	0,75	0,75	0,75
Leņķis Nida UAR100 profilam	gab.	1,5	1,5	1,5	1,5	1,5	1,5	1,5	1,5	1,5	1,5
Skrūve Nida M8	gab.	3,0	3,0	3,0	3,0	3,0	3,0	3,0	3,0	3,0	3,0
Kniedes	gab.	2,8	2,8	2,8	2,8	2,8	2,8	2,8	2,8	2,8	2,8
Tērauda enkurošanas elements (tips atbilstoši būves svaram) ⁴⁾	gab.	7,7	7,7	7,7	7,7	7,7	7,7	7,7	7,7	7,7	7,7
Pašurbjošās skrūves Nida 3,5x25 mm ⁵⁾	gab.	27,0	27,0	27,0	27,0	-	-	27,0	-	-	-
Pašurbjošās skrūves Nida 3,5x35 mm ⁵⁾	gab.	-	-	-	-	-	-	-	-	-	27,0
Pašurbjošās skrūves Nida Cietā 35 (3,9x35 mm) ⁵⁾	gab.	-	-	-	-	27,0	-	-	27,0	-	-
Pašurbjošās skrūves Nida Hydro C4 3,5x25 mm ⁵⁾	gab.	-	-	-	-	-	27,0	-	-	27,0	-
Limlente šuvēm Nida	tek.m	1,4	1,4	1,4	1,4	1,4	1,4	1,4	1,4	1,4	1,4
Ģipša špaktele Nida Start	kg	0,3	0,3	0,3	0,3	-	-	0,3	-	-	0,3
Ģipša špaktele Nida Finisz	kg	0,1	0,1	0,1	0,1	-	-	0,1	-	-	0,1
Gatavā špaktelmasa Nida Hydromix ⁶⁾	kg	-	-	-	-	0,4	0,4	-	0,4	0,4	-

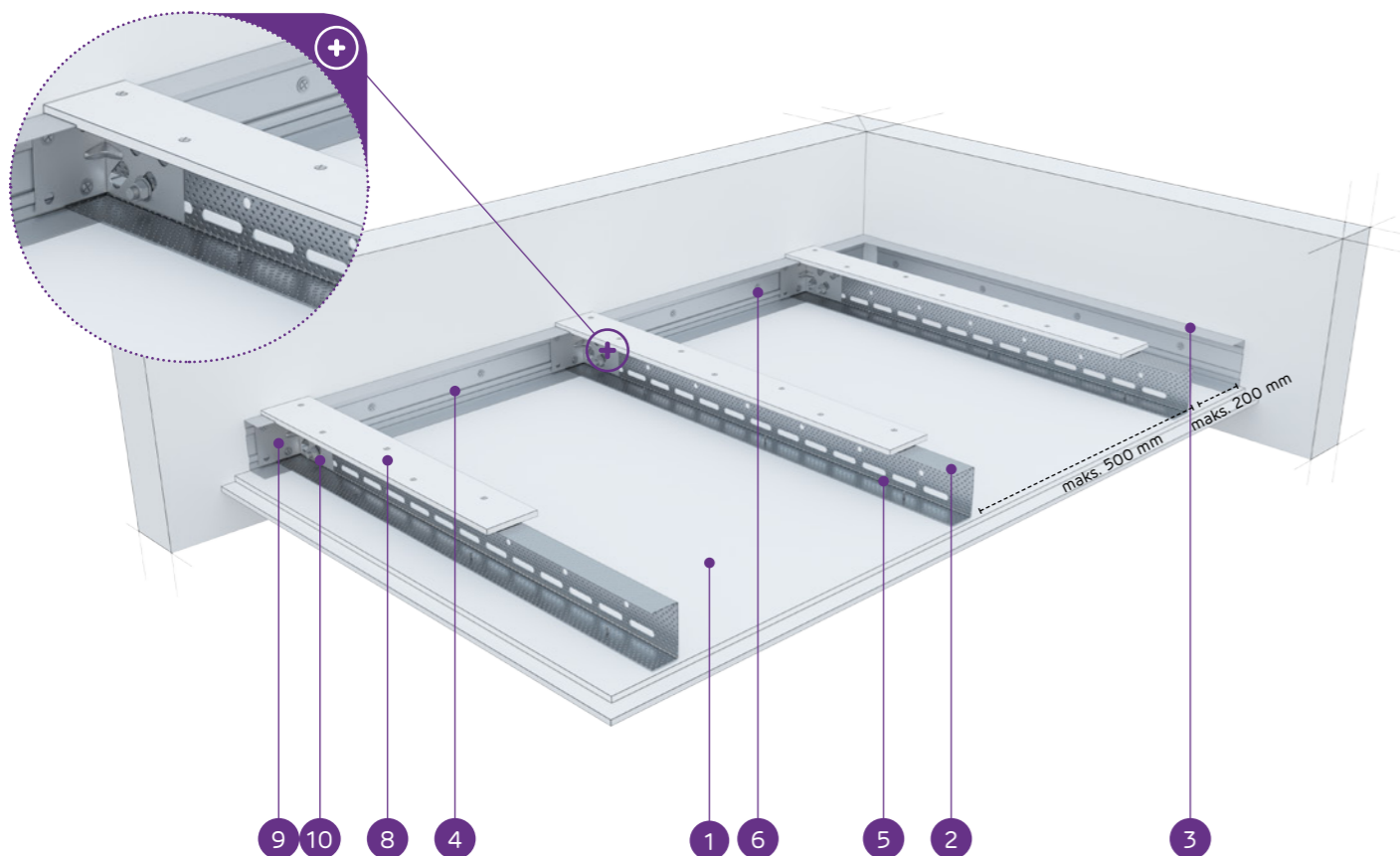
⁴⁾ Enkurošanas elementu tips un skaits jāizvēlas saskaņā ar shēmu, kas iekļauta ITB tehniskajā atzinumā Pašnesošie griesti: ITB 1060/12/R33NK.⁵⁾ Ieteicams izmantot 2 mm pašurbjošās skrūves.⁶⁾ Izmantojot ģipša šķiedru plāksnes Nida Cietā, kā alternatīvu varat izmantot arī Nida Planfix Fresh ģipša špakтели. Patēriņa standartos nav ņemti vērā materiālie zaudējumi.

nida Griesti

Ugunsizturības
klase:
(R)EI45
(R)EI60Maksimālais
apdares
platums:
5540 mmMinimālais
piekāršanas
augstums:
110 mmBūves svars
1m²:
24,0-41,0 kgSaisītā
dokumenta
numurs:
EN13964:2004+A1Eksploatacijas īpašību deklarācija:
DoP/Ceiling System/0058/15.11.2016

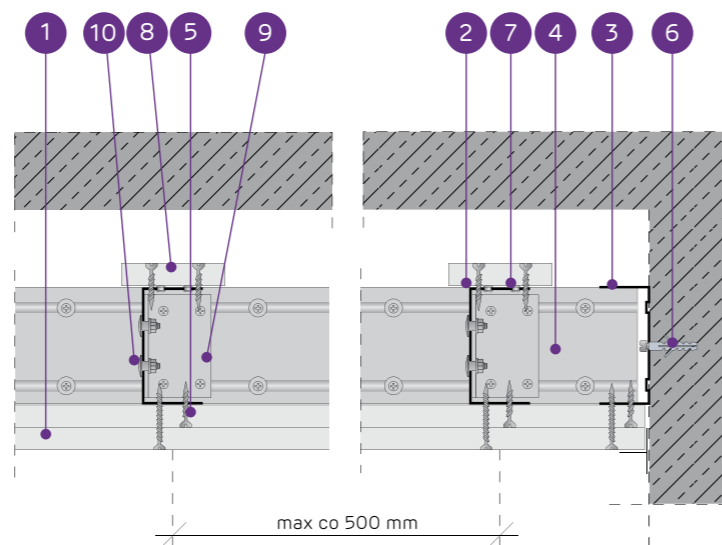
SISTĒMAS:

UAR100/U100/PD/500-25; UAR100/U100/PD/500-30



MATERIĀLI:

- Ģipškartona plāksnes Nida
- Nesošais profils Nida UAR 100
- Konstrukcijas profils Nida U 100
- Nesošais profils Nida U 100
- Pašurbjošā skrūve Nida 3,5 x 25 mm
- Tērauda enkurošanas elements ar Tērauda paplāksni
- Kniede
- Pastiprinošā josla no 12,5 mm Nida ģipškartona plāksnes
- Leņķis Nida UA profilam
- Skrūve Nida M8

PAŠNESOŠO GRIESTU SISTĒMA AR NIDA UAR100 KONSTRUKCIJU AR
PASTIPRINOŠO JOSLU

TEHNISKIE PARAMETRI

Sistēmas tips Nida Griesti	Režģa konstrukcija				Ģipša plākšņu apšuvums		Minimālais piekāršanas augstums	Būves svars 1 m ²	Ugunsizturības klase ¹⁾	Maksimālais griestu apdares platums ²⁾	Īpašā sistēma
	Nida nesošā profila tips	Nida nesošā perimetra profila tips	Nida konstrukcijas perimetra profila tips	Maksimālais Nida UAR100 nesošo profilu atstatums [mm]	Nida	Biezums					
UAR100/U100/PD/500-12,5/Expert	UAR100	U100	U100	500	Expert	12,5	122,5	16,0	-	5900	-
UAR100/U100/PD/500-12,5/Ūdens ³⁾	UAR100	U100	U100	500	Ūdens	12,5	122,5	17,0	-	5900	-
UAR100/U100/PD/500-12,5/Uguns+	UAR100	U100	U100	500	Uguns Pluss	12,5	122,5	19,0	(R)EI15	5900	-
UAR100/U100/PD/500-12,5/ŪdensUguns+	UAR100	U100	U100	500	Ūdens Uguns Pluss	12,5	122,5	19,0	(R)EI15	5900	-
UAR100/U100/PD/500-12,5/Cietā	UAR100	U100	U100	500	Cietā	12,5	122,5	22,0	(R)EI15	5280	●
UAR100/U100/PD/500-12,5/Hydro	UAR100	U100	U100	500	Hydro	12,5	122,5	20,0	(R)EI15	5900	●
UAR100/U100/PD/500-15/Uguns+	UAR100	U100	U100	500	Uguns Pluss	15,0	125	23,0	(R)EI15	5280	-
UAR100/U100/PD/500-15/Cietā	UAR100	U100	U100	500	Cietā	15,0	125	26,0	(R)EI15	4820	●
UAR100/U100/PD/500-15/Hydro	UAR100	U100	U100	500	Hydro	15,0	125	23,0	(R)EI15	5280	●
UAR100/U100/PD/500-18/Uguns+	UAR100	U100	U100	500	Uguns Pluss	18,0	128	24,0	(R)EI30	5280	-

¹⁾ Ugunsdrošības klasifikācija LBO-458-K/17.²⁾ Tehniskais atzinums ITB 1060/12/R33NK.³⁾ Telpās ar relatīvo gaisa mitrumu līdz 85 % stūra sekcijās pret intensīvu ūdens iedarbību ieteicams izmantot Nida Hydro ģipša šķiedru plāksnes (horizontālām un vertikālām virsmām vannas, dušas utt. zonās).MATERIĀLU PATĒRIŅŠ UZ 1 M² GRIESTU APBŪVES NIDA GRIESTI SISTĒMĀ

Materiāla nosaukums	Mērv.	Sistēmas tips Nida Griesti										
		UAR100/ U100/ PD/500-12,5/ Expert	UAR100/ U100/ PD/500-12,5/ Ūdens	UAR100/ U100/ PD/500-12,5/ Uguns+	UAR100/ U100/ PD/500-12,5/ ŪdensUguns+	UAR100/ U100/ PD/500-12,5/ Cietā	UAR100/ U100/ PD/500-12,5/ Hydro	UAR100/ U100/ PD/500-15/ Uguns+	UAR100/ U100/ PD/500-15/ Cietā	UAR100/ U100/ PD/500-15/ Hydro	UAR100/ U100/ PD/500-18/ Uguns+	
Materiāla patēriņš uz 1 m ²												
Plāksne Nida Expert 12,5 mm	m ²	1,3	-	-	-	-	-	-	-	-	-	-
Plāksne Nida Ūdens 12,5 mm	m ²	-	1,3	-	-	-	-	-	-	-	-	-
Plāksne Nida Uguns Pluss 12,5 mm	m ²	-	-	1,3	-	-	-	-	-	-	-	-
Plāksne Nida Ūdens Uguns Pluss 12,5 mm	m ²	-	-	-	1,3	-	-	-	-	-	-	-
Plāksne Nida Cietā 12,5 mm	m ²	-	-	-	-	1,3	-	-	-	-	-	-
Plāksne Nida Hydro 12,5 mm	m ²	-	-	-	-	-	1,3	-	-	-	-	-
Plāksne Nida Uguns Pluss 15,0 mm	m ²	-	-	-	-	-	-	1,3	-	-	-	-
Plāksne Nida Cietā 15,0 mm	m ²	-	-	-	-	-	-	-	1,3	-	-	-
Plāksne Nida Hydro 15,0 mm	m ²	-	-	-	-	-	-	-	-	1,3	-	-
Plāksne Nida Uguns Pluss 18,0 mm	m ²	-	-	-	-	-	-	-	-	-	-	1,3
Profils Nida UAR100	tek.m	2,2	2,2	2,2	2,2	2,2	2,2	2,2	2,2	2,2	2,2	2,2
Profils Nida U100	tek.m	0,75	0,75	0,75	0,75	0,75	0,75	0,75	0,75	0,75	0,75	0,75
Leņķis Nida UAR100 profilam	gab.	1,5	1,5	1,5	1,5	1,5	1,5	1,5	1,5	1,5	1,5	1,5
Skrūve Nida M8	gab.	3,0	3,0	3,0	3,0	3,0	3,0	3,0	3,0	3,0	3,0	3,0
Kniedes	gab.	2,8	2,8	2,8	2,8	2,8	2,8	2,8	2,8	2,8	2,8	2,8
Tērauda enkurošanas elements (tips atbilstoši būves svaram) ⁴⁾	gab.	7,7	7,7	7,7	7,7	7,7	7,7	7,7	7,7	7,7	7,7	7,7
Pašurbjošās skrūves Nida 3,5x25 mm ⁵⁾	gab.	27,0	27,0	27,0	27,0	-	-	27,0	-	-	-	-
Pašurbjošās skrūves Nida 3,5x35 mm ⁵⁾	gab.	-	-	-	-	-	-	-	-	-	-	27,0
Pašurbjošās skrūves Nida Cietā 35 (3,9x35 mm) ⁵⁾	gab.	-	-	-	-	-	27,0	-	-	27,0	-	-
Pašurbjošās skrūves Nida Hydro C4 3,5x25 mm ⁵⁾	gab.	-	-	-	-	-	-	27,0	-	-	27,0	-
Līmēnte šuvēm Nida	tek.m	1,4	1,4	1,4	1,4	1,4	1,4	1,4	1,4	1,4	1,4	1,4
Ģipša špaktele Nida Start	kg	0,3	0,3	0,3	0,3	-	-	0,3	-	-	-	0,3
Ģipša špaktele Nida Finisz	kg	0,1	0,1	0,1	0,1	-	-	0,1	-	-	-	0,1
Gatavā špaktelmasa Nida Hydromix ⁶⁾	kg	-	-	-	-	0,4	0,4	-	0,4	0,4	-	-

⁴⁾ Enkurošanas elementu tips un skaits jāizvēlas saskaņā ar shēmu, kas iekļauta ITB tehniskajā atzinumā Pašnesošie griesti: ITB 1060/12/R33NK.⁵⁾ Ieteicams izmantot 2 mm pašurbjošās skrūves.⁶⁾ Izmantojot ģipša šķiedru plāksnes Nida Cietā, kā alternatīvu varat izmantot arī Nida Planfix Fresh ģipša špakteļi. Patēriņa standartos nav ņemti vērā materiālie zaudējumi.

nida Griesti

Ugunsizturības
klase:(R)EI60
(R)EI90
(R)EI120Maksimālais
apdares
platums:

4390 mm

Minimālais
piekāršanas
augstums:

110 mm

Būves svars
1m²:

39,0-73,0 kg

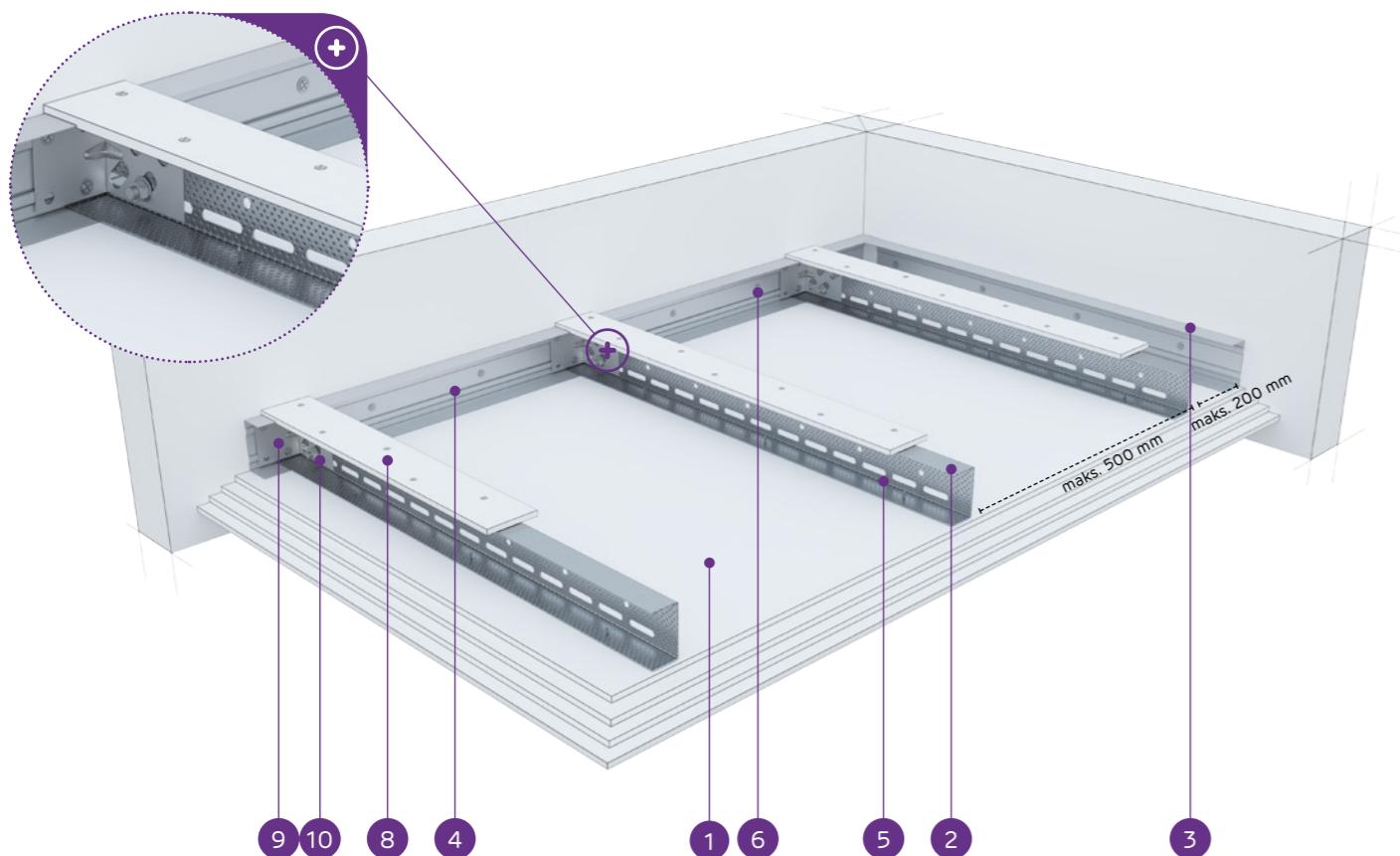
Saistītā
dokumenta
numurs:

EN13964:2004+A1

Eksploatacijas īpašību deklarācija:
DoP/Ceiling System/0058/15.11.2016

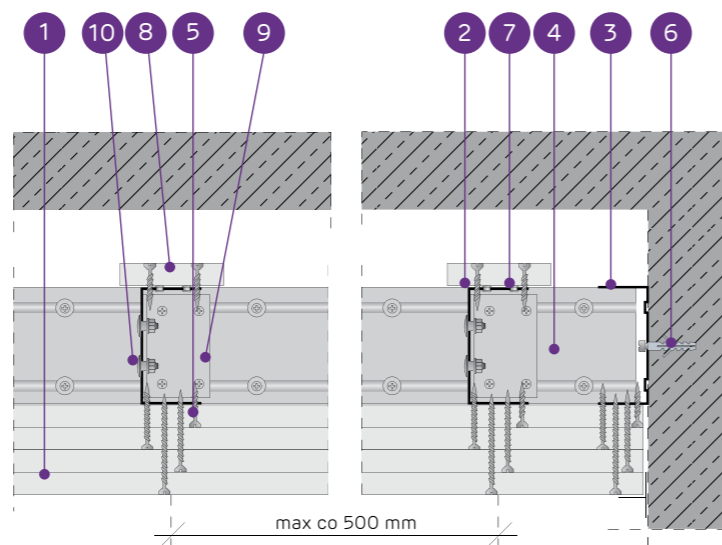
SISTĒMAS:

UAR100/U100/PD/500-37,5; UAR100/U100/PD/500-40; UAR100/U100/PD/500-60



MATERIĀLI:

- Ģipškartona plāksnes Nida
- Nesošais profils Nida UAR 100
- Konstrukcijas profils Nida U 100
- Nesošais profils Nida U 100
- Pašurbjošā skrūve Nida 3,5 x 25 mm
- Tērauda enkurošanas elements ar Tērauda paplāksni
- Kniede
- Pastiprinošā josla no 12,5 mm Nida ģipškartona plāksnes
- Leņķis Nida UA profilam
- Skrūve Nida M8

PAŠNESOŠO GRIESTU SISTĒMA AR NIDA UAR100 KONSTRUKCIJU AR
PASTIPRINOŠO JOSLU

TEHNISKIE PARAMETRI

Sistēmas tips Nida Griesti	Režģa konstrukcija				Ģipša plākšņu apšuvums	Minimālais piekāršanas augstums	Būves svars 1 m ²	Ugunsizturības klase ¹⁾	Maksimālais griestu apdares platums ²⁾	Īpašā sistē- ma	
	Nida nesošā profila tips	Nida nesošā perimetra profila tips	Nida konstruk- cijas perimetra profila tips	Maksimālais Nida UAR100 nesošo profilu atstatums							
	[mm]	[mm]	[mm]	[mm]	Nida	Biezums	[mm]	kg	[min.]	[mm]	
UAR100/U100/PD/500-37,5/Uguns+	UAR100	U100	U100	500	Uguns Plus	3x12,5	147,5	39,0	(R)EI60	4390	-
UAR100/U100/PD/500-37,5/ŪdensUguns+	UAR100	U100	U100	500	Ūdens Uguns Plus	3x12,5	147,5	39,0	(R)EI60	4390	-
UAR100/U100/PD/500-37,5/Cietā	UAR100	U100	U100	500	Cietā	3x12,5	147,5	48,0	(R)EI60	3920	●
UAR100/U100/PD/500-37,5/Hydro	UAR100	U100	U100	500	Hydro	3x12,5	147,5	42,0	(R)EI60	4140	●
UAR100/U100/PD/500-40/Uguns+	UAR100	U100	U100	500	Uguns Plus	2x12,5+15,0	150	43,0	(R)EI90	4140	-
UAR100/U100/PD/500-40/Cietā	UAR100	U100	U100	500	Cietā	2x12,5+15,0	150	51,0	(R)EI90	3740	●
UAR100/U100/PD/500-40/Hydro	UAR100	U100	U100	500	Hydro	2x12,5+15,0	150	44,0	(R)EI90	4140	●
UAR100/U100/PD/500-60/Uguns+	UAR100	U100	U100	500	Uguns Plus	4x15,0	170	64,0	(R)EI120	3440	-
UAR100/U100/PD/500-60/Cietā	UAR100	U100	U100	500	Cietā	4x15,0	170	73,0	(R)EI120	3200	●
UAR100/U100/PD/500-60/Hydro	UAR100	U100	U100	500	Hydro	4x15,0	170	64,0	(R)EI120	3440	●

¹⁾ Ugunsdrošības klasifikācija LBO-458-K/17.²⁾ Tehniskais atzinums ITB 1060/12/R33NK.MATERIĀLU PATĒRIŅŠ UZ 1 M² GRIESTU APBŪVES NIDA GRIESTI SISTĒMĀ

Materiāla nosaukums	Mērv.	Sistēmas tips Nida Griesti										
		UAR100/ U100/ PD/500-37,5/ Uguns+	UAR100/ U100/ PD/500-37,5/ ŪdensUguns+	UAR100/ U100/ PD/500-37,5/ Cietā	UAR100/ U100/ PD/500-37,5/ Hydro	UAR100/ U100/ PD/500-40/ Uguns+	UAR100/ U100/ PD/500-40/ Cietā	UAR100/ U100/ PD/500-40/ Hydro	UAR100/ U100/ PD/500-60/ Uguns+	UAR100/ U100/ PD/500-60/ Cietā	UAR100/ U100/ PD/500-60/ Hydro	
Materiāla patēriņš uz 1 m ²												
Plāksne Nida Uguns Plus 12,5 mm	m ²	3,3	-	-	-	2,3	-	-	-	-	-	
Plāksne Nida Ūdens Uguns Plus 12,5 mm	m ²	-	3,3	-	-	-	-	-	-	-	-	
Plāksne Nida Cietā 12,5 mm	m ²	-	-	3,3	-	2,3	-	-	-	-	-	
Plāksne Nida Hydro 12,5 mm	m ²	-	-	-	3,3	-	2,3	-	-	-	-	
Plāksne Nida Uguns Plus 15,0 mm	m ²	-	-	-	-	1,0	-	-	4,3	-	-	
Plāksne Nida Cietā 15,0 mm	m ²	-	-	-	-	-	1,0	-	-	4,3	-	
Plāksne Nida Hydro 15,0 mm	m ²	-	-	-	-	-	-	1,0	-	-	4,3	
Profils Nida UAR100	tek.m	2,2	2,2	2,2	2,2	2,2	2,2	2,2	2,2	2,2	2,2	
Profils Nida U100	tek.m	0,75	0,75	0,75	0,75	0,75	0,75	0,75	0,75	0,75	0,75	
Leņķis Nida UAR100 profilam	gab.	1,5	1,5	1,5	1,5	1,5	1,5	1,5	1,5	1,5	1,5	
Skrūve Nida M8	gab.	3,0	3,0	3,0	3,0	3,0	3,0	3,0	3,0	3,0	3,0	
Kniedes	gab.	2,8	2,8	2,8	2,8	2,8	2,8	2,8	2,8	2,8	2,8	
Tērauda enkurošanas elements (tips atbilstoši būves svaram) ³⁾	gab.	7,7	7,7	7,7	7,7	7,7	7,7	7,7	7,7	7,7	7,7	
Pašurbjošās skrūves Nida 3,5x25 mm ⁴⁾	gab.	15,0	15,0	-	-	15,0	-	-	15,0	-	-	
Pašurbjošās skrūves Nida 3,5x35 mm ⁴⁾	gab.	6,0	6,0	-	-	6,0	-	-	-	-	-	
Pašurbjošās skrūves Nida 3,5x45 mm ⁴⁾	gab.	-	-	-	-	-	-	-	6,0	-	-	
Pašurbjošās skrūves Nida 3,5x55 mm ⁴⁾	gab.	18,0	18,0	-	-	18,0	-	-	6,0	-	-	
Pašurbjošās skrūves Nida 4,2x70 mm ⁴⁾	gab.	-	-	-	-	-	-	-	18,0	-	-	
Pašurbjošās skrūves Nida Cietā 35 (3,9x35 mm) ⁴⁾	gab.	-	-	21,0	-	-	-	21,0	-	-	15,0	
Pašurbjošās skrūves Nida Cietā 45 (3,9x45 mm) ⁴⁾	gab.	-	-	-	-	-	-	-	-	-	6,0	
Pašurbjošās skrūves Nida Cietā 55 (3,9x55 mm) ⁴⁾	gab.	-	-	18,0	-	-	-	18,0	-	-	6,0	
Pašurbjošās skrūves Nida Cietā 70 (4,2x70 mm) ⁴⁾	gab.	-	-	-	-	-	-	-	-	-	18,0	
Pašurbjošās skrūves Nida Hydro C4 3,5x25 mm ⁴⁾	gab.	-	-	-	15,0	-	-	15,0	-	-	15,0	
Pašurbjošās skrūves Nida Hydro C4 3,5x41 mm ⁴⁾	gab.	-	-	-	6,0	-	-	6,0	-	-	6,0	
Pašurbjošās skrūves Nida Hydro C4 3,5x55 mm ⁴⁾	gab.	-	-	-	18,0	-	-	18,0	-	-	6,0	
Pašurbjošās skrūves Nida Hydro C4 4,2x70 mm ⁴⁾	gab.	-	-	-	-	-	-	-	-	-	18,0	
Līmlente šuvēm Nida	tek.m	1,4	1,4	1,4	1,4	1,4	1,4	1,4	1,4	1,4	1,4	
Ģipša špaktele Nida Start	kg	0,9	0,9	-	-	0,9	-	-	1,2	-	-	
Ģipša špaktele Nida Finisz	kg	0,1	0,1	-	-	0,1	-	-	0,1	-	-	
Gatavā špaktelmasa Nida Hydromix ⁵⁾	kg	-	-	1,0	1,0	-	1,0	1,0	-	1,3	1,3	

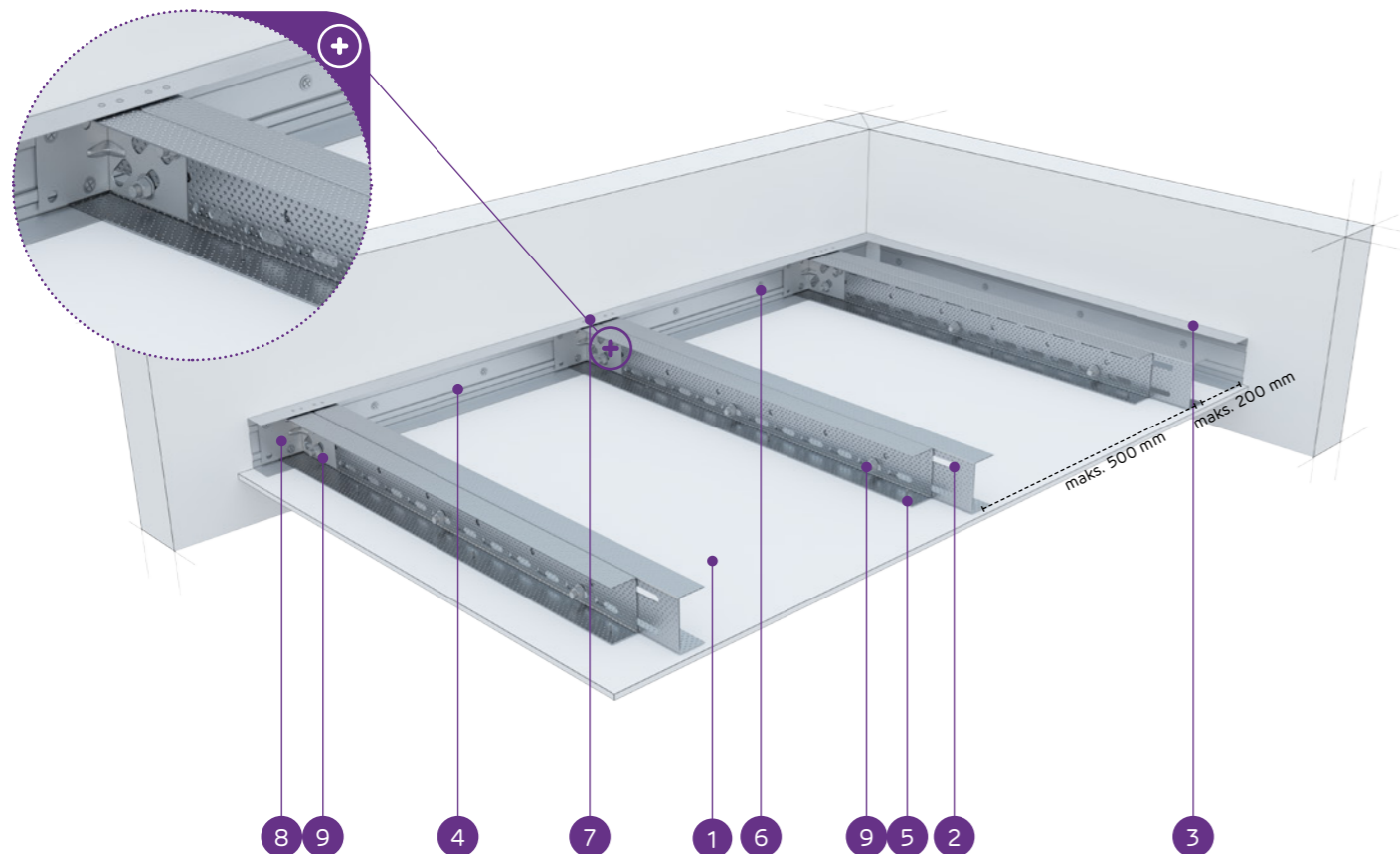
³⁾ Enkurošanas elementu tips un skaits jāizvēlas saskaņā ar shēmu, kas iekļauta ITB tehniskajā atzinumā Pašnesošie griesti: ITB 1060/12/R33NK.⁴⁾ Ieteicams izmantot 2 mm pašurbjošās skrūves.⁵⁾ Izmantojot ģipša šķiedru plāksnes Nida Cietā, kā alternatīvu varat izmantot arī Nida Planfix Fresh ģipša špakтели. Patēriņa standartos nav ņemti vērā materiālie zaudējumi.

nida Griesti

Ugunsizturības
klase:
(R)EI15
(R)EI30Maksimālais
apdares
platums:
5240 mmMinimālais
piekāršanas
augstums:
60 mmBūves svars
1m²:
16,0-23,0 kgSaistītā
dokumenta
numurs:
EN13964:2004+A1Eksploatacijas īpašību deklarācija:
DoP/Ceiling System/0059/15.11.2016

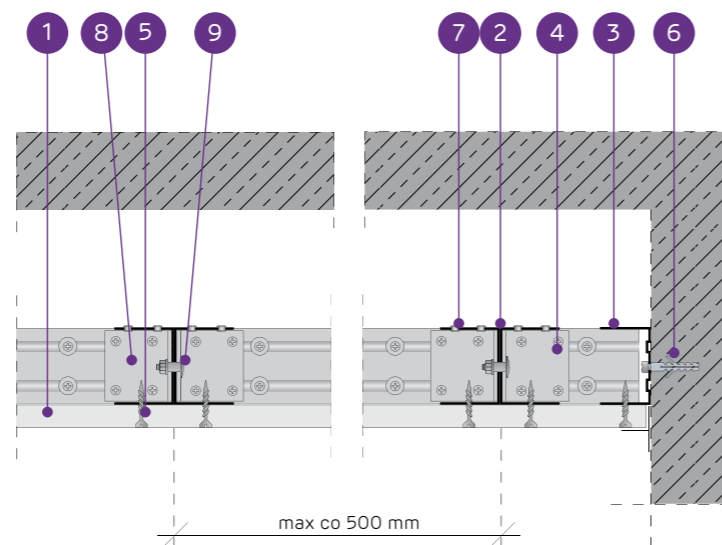
SISTĒMAS:

UARUAR50/U50/500-12,5; UARUAR50/U50/500-15; UARUAR50/U50/500-18



MATERIĀLI:

1. Ģipškartona plāksnes Nida
2. Dubultais nesošais profils Nida UAR 50
3. Konstrukcijas profils Nida U 50
4. Nesošais profils Nida U 50
5. Pašurbjošā skrūve Nida 3,5 x 25 mm
6. Tērauda enkurošanas elements ar Tērauda paplāksni
7. Kniede
8. Leņķis Nida UA profilam
9. Skrūve Nida M8



PAŠNESOŠO GRIESTU SISTĒMA AR DUBULTO NIDA UAR50 KONSTRUKCIJU

TEHNISKIE PARAMETRI

Sistēmas tips Nida Griesti	Režģa konstrukcija				Ģipša plākšņu apšuvums	Minimālais piekāršanas augstums	Būves svars 1 m ²	Ugunsizturības klase ¹⁾	Maksimālais griestu apdares platums ²⁾	Īpašā sistē- ma
	Nida nesošā profila tips	Nida nesošā perimetra profila tips	Nida konstruk- cijas perimetra profila tips	Maksimālais Nida UAR50 nesošo profilu atstatums [mm]						
UARUAR50/U50/500-12,5/Expert	2xUAR50	U50	U50	500	Expert	12,5	16,0	-	5240	-
UARUAR50/U50/500-12,5/Ūdens ³⁾	2xUAR50	U50	U50	500	Ūdens	12,5	17,0	-	5240	-
UARUAR50/U50/500-12,5/Uguns+	2xUAR50	U50	U50	500	Uguns Pluss	12,5	18,0	(R)EI15	5240	-
UARUAR50/U50/500-12,5/ŪdensUguns+	2xUAR50	U50	U50	500	Ūdens Uguns Pluss	12,5	18,0	(R)EI15	5240	-
UARUAR50/U50/500-12,5/Cietā	2xUAR50	U50	U50	500	Cietā	12,5	21,0	(R)EI15	4680	●
UARUAR50/U50/500-12,5/Hydro	2xUAR50	U50	U50	500	Hydro	12,5	19,0	(R)EI15	5240	●
UARUAR50/U50/500-15/Uguns+	2xUAR50	U50	U50	500	Uguns Pluss	15,0	21,0	(R)EI15	4680	-
UARUAR50/U50/500-15/Cietā	2xUAR50	U50	U50	500	Cietā	15,0	23,0	(R)EI15	4680	●
UARUAR50/U50/500-15/Hydro	2xUAR50	U50	U50	500	Hydro	15,0	21,0	(R)EI15	4680	●
UARUAR50/U50/500-18/Uguns+	2xUAR50	U50	U50	500	Uguns Pluss	18,0	22,0	(R)EI30	4680	-

¹⁾ Ugunsdrošības klasifikācija LBO-458-K/17.²⁾ Tehniskais atzinums ITB 1060/12/R33NK.³⁾ Telpās ar relatīvo gaisa mitrumu līdz 85 % stūra sekcijās pret intensīvu ūdens iedarbību ieteicams izmantot Nida Hydro ģipša šķiedru plāksnes (horizontālām un vertikālām virsmām vannas, dušas utt. zonās).MATERIĀLU PATĒRIŅŠ UZ 1 M² GRIESTU APBŪVES NIDA GRIESTI SISTĒMĀ

Materiāla nosaukums	Mērv.	Sistēmas tips Nida Griesti									
		UARUAR50/ U50/500- 12,5/Expert	UARUAR50/ U50/500- 12,5/Ūdens	UARUAR50/ U50/500- 12,5/Uguns+	UARUAR50/ U50/500- 12,5/ŪdensUguns+	UARUAR50/ U50/500- 12,5/Cietā	UARUAR50/ U50/500- 12,5/Hydro	UARUAR50/ U50/500-15/ Uguns+	UARUAR50/ U50/500-15/ Cietā	UARUAR50/ U50/500-15/ Hydro	UARUAR50/ U50/500-18/ Uguns+
Materiāla patēriņš uz 1 m ²											
Plāksne Nida Expert 12,5 mm	m ²	1,0	-	-	-	-	-	-	-	-	-
Plāksne Nida Ūdens 12,5 mm	m ²	-	1,0	-	-	-	-	-	-	-	-
Plāksne Nida Uguns Pluss 12,5 mm	m ²	-	-	1,0	-	-	-	-	-	-	-
Plāksne Nida Ūdens Uguns Pluss 12,5 mm	m ²	-	-	-	1,0	-	-	-	-	-	-
Plāksne Nida Cietā 12,5 mm	m ²	-	-	-	-	1,0	-	-	-	-	-
Plāksne Nida Hydro 12,5 mm	m ²	-	-	-	-	-	1,0	-	-	-	-
Plāksne Nida Uguns Pluss 15,0 mm	m ²	-	-	-	-	-	-	1,0	-	-	-
Plāksne Nida Cietā 15,0 mm	m ²	-	-	-	-	-	-	-	1,0	-	-
Plāksne Nida Hydro 15,0 mm	m ²	-	-	-	-	-	-	-	-	1,0	-
Plāksne Nida Uguns Pluss 18,0 mm	m ²	-	-	-	-	-	-	-	-	-	1,0
Profils Nida UAR50	tek.m	4,4	4,4	4,4	4,4	4,4	4,4	4,4	4,4	4,4	4,4
Profils Nida U50	tek.m	0,75	0,75	0,75	0,75	0,75	0,75	0,75	0,75	0,75	0,75
Leņķis Nida UAR50 profilam	gab.	3,0	3,0	3,0	3,0	3,0	3,0	3,0	3,0	3,0	3,0
Skrūve Nida M8	gab.	11,3	11,3	11,3	11,3	11,3	11,3	11,3	11,3	11,3	11,3
Kniedes	gab.	5,6	5,6	5,6	5,6	5,6	5,6	5,6	5,6	5,6	5,6
Tērauda enkurošanas elements (tips atbilstoši būves svaram) ⁴⁾	gab.	12,6	12,6	12,6	12,6	12,6	12,6	12,6	12,6	12,6	12,6
Pašurbjošās skrūves Nida 3,5x25 mm ⁵⁾	gab.	18,0	18,0	18,0	18,0	-	-	18,0	-	-	-
Pašurbjošās skrūves Nida 3,5x35 mm ⁵⁾	gab.	-	-	-	-	-	-	-	-	-	18,0
Pašurbjošās skrūves Nida Cietā 35 (3,9x35 mm) ⁵⁾	gab.	-	-	-	-	18,0	-	-	18,0	-	-
Pašurbjošās skrūves Nida Hydro C4 3,5x25 mm ⁵⁾	gab.	-	-	-	-	-	18,0	-	-	18,0	-
Līmlente šuvēm Nida	tek.m	1,4	1,4	1,4	1,4	1,4	1,4	1,4	1,4	1,4	1,4
Ģipša špaktele Nida Start	kg	0,3	0,3	0,3	0,3	-	-	0,3	-	-	0,3
Ģipša špaktele Nida Finisz	kg	0,1	0,1	0,1	0,1	-	-	0,1	-	-	0,1
Gatavā špaktelmasa Nida Hydromix ⁶⁾	kg	-	-	-	-	0,4	0,4	-	0,4	0,4	-

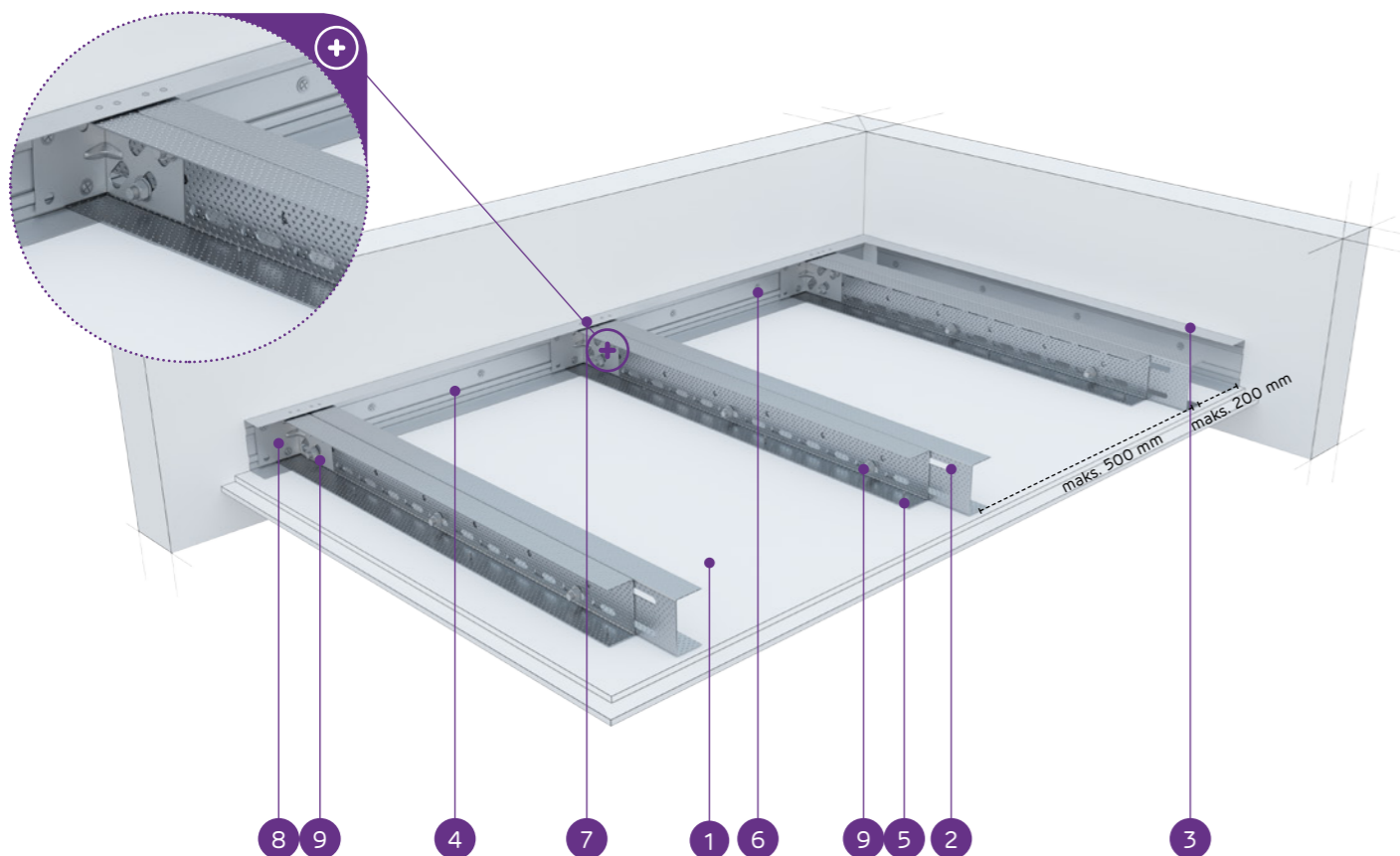
⁴⁾ Enkurošanas elementu tips un skaits jāizvēlas saskaņā ar shēmu, kas iekļauta ITB tehniskajā atzinumā Pašnesošie griesti: ITB 1060/12/R33NK.⁵⁾ Ieteicams izmantot 2 mm pašurbjošās skrūves.⁶⁾ Izmantojot ģipša šķiedru plāksnes Nida Cietā, kā alternatīvu varat izmantot arī Nida Planfix Fresh ģipša špakteļi. Patēriņa standartos nav ņemti vērā materiālie zaudējumi.

nida Griesti

Ugunsizturības
klase:
(R)EI45
(R)EI60Maksimālais
apdares
platums:
4750 mmMinimālais
piekāršanas
augstums:
60 mmBūves svars
1m²:
24,0-39,0 kgSaisītā
dokumenta
numurs:
EN13964:2004+A1Eksploatacijas īpašību deklarācija:
DoP/Ceiling System/0059/15.11.2016

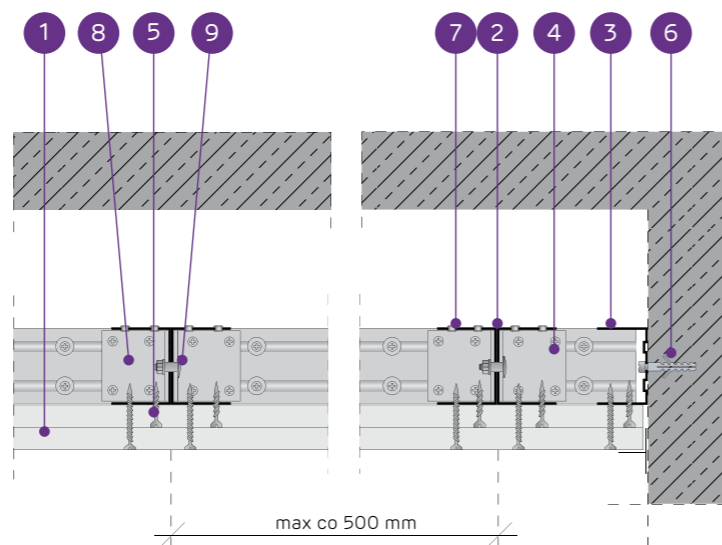
SISTĒMAS:

UARUAR50/U50/500-25; UARUAR50/U50/500-30



MATERIĀLI:

- Ģipškartona plāksnes Nida
- Dubultais nesošais profils Nida UAR 50
- Konstrukcijas profils Nida U 50
- Nesošais profils Nida U 50
- Pašurbjošā skrūve Nida 3,5 x 25 mm
- Tērauda enkurošanas elements ar Tērauda paplāksni
- Kniede
- Leņķis Nida UA profilam
- Skrūve Nida M8



PAŠNESOŠO GRIESTU SISTĒMA AR DUBULTO NIDA UAR50 KONSTRUKCIJU

TEHNISKIE PARAMETRI

Sistēmas tips Nida Griesti	Režģa konstrukcija				Ģipša plāksņu apšuvums		Minimālais piekāršanas augstums	Būves svars 1 m ²	Ugunsizturības klase ¹⁾	Maksimālais griestu apdares platums ²⁾	Īpašā sistē- ma	
	Nida nesošā profila tips	Nida nesošā perimetra profila tips	Nida konstruk- cijas perimetra profila tips	Maksimālais Nida UAR50 nesošo profilu atstatums	[mm]	Nida						Biezums
UARUAR50/U50/500-25/Expert	2xUAR50	U50	U50	500	Expert	2x12,5	85	24,0	-	4750	-	
UARUAR50/U50/500-25/Ūdens ³⁾	2xUAR50	U50	U50	500	Ūdens	2x12,5	85	26,0	-	4340	-	
UARUAR50/U50/500-25/Uguns+	2xUAR50	U50	U50	500	Uguns Plus	2x12,5	85	28,0	(R)EI45	4340	-	
UARUAR50/U50/500-25/ŪdensUguns+	2xUAR50	U50	U50	500	Ūdens Uguns Plus	2x12,5	85	28,0	(R)EI45	4340	-	
UARUAR50/U50/500-25/Cietā	2xUAR50	U50	U50	500	Cietā	2x12,5	85	34,0	(R)EI45	4020	●	
UARUAR50/U50/500-25/Hydro	2xUAR50	U50	U50	500	Hydro	2x12,5	85	30,0	(R)EI45	4340	●	
UARUAR50/U50/500-30/Uguns+	2xUAR50	U50	U50	500	Uguns Plus	2x15,0	90	35,0	(R)EI60	4020	-	
UARUAR50/U50/500-30/Cietā	2xUAR50	U50	U50	500	Cietā	2x15,0	90	39,0	(R)EI60	3760	●	
UARUAR50/U50/500-30/Hydro	2xUAR50	U50	U50	500	Hydro	2x15,0	90	35,0	(R)EI60	4020	●	

¹⁾ Ugunsdrošības klasifikācija LBO-458-K/17.²⁾ Tehniskais atzinums ITB 1060/12/R33NK.³⁾ Telpās ar relatīvo gaisa mitrumu līdz 85 % stūra sekcijās pret intensīvu ūdens iedarbību ieteicams izmantot Nida Hydro ģipša šķiedru plāksnes (horizontālām un vertikālām virsmām vannas, dušas utt. zonās).MATERIĀLU PATĒRIŅŠ UZ 1 M² GRIESTU APBŪVES NIDA GRIESTI SISTĒMĀ

Materiāla nosaukums	Mērv.	Sistēmas tips Nida Griesti								
		UARUAR50/ U50/500-25/ Expert	UARUAR50/ U50/500-25/ Ūdens	UARUAR50/ U50/500-25/ Uguns+	UARUAR50/ U50/500-25/ ŪdensUguns+	UARUAR50/ U50/500-25/ Cietā	UARUAR50/ U50/500-25/ Hydro	UARUAR50/ U50/500-30/ Uguns+	UARUAR50/ U50/500-30/ Cietā	UARUAR50/ U50/500-30/ Hydro
		Materiāla patēriņš uz 1 m ²								
Plāksne Nida Expert 12,5 mm	m ²	2,0	-	-	-	-	-	-	-	-
Plāksne Nida Ūdens 12,5 mm	m ²	-	2,0	-	-	-	-	-	-	-
Plāksne Nida Uguns Plus 12,5 mm	m ²	-	-	2,0	-	-	-	-	-	-
Plāksne Nida Ūdens Uguns Plus 12,5 mm	m ²	-	-	-	2,0	-	-	-	-	-
Plāksne Nida Cietā 12,5 mm	m ²	-	-	-	-	2,0	-	-	-	-
Plāksne Nida Hydro 12,5 mm	m ²	-	-	-	-	-	2,0	-	-	-
Plāksne Nida Uguns Plus 15,0 mm	m ²	-	-	-	-	-	-	2,0	-	-
Plāksne Nida Cietā 15,0 mm	m ²	-	-	-	-	-	-	-	2,0	-
Plāksne Nida Hydro 15,0 mm	m ²	-	-	-	-	-	-	-	-	2,0
Profils Nida UAR50	tek.m	4,4	4,4	4,4	4,4	4,4	4,4	4,4	4,4	4,4
Profils Nida U50	tek.m	0,75	0,75	0,75	0,75	0,75	0,75	0,75	0,75	0,75
Leņķis Nida UAR50 profilam	gab.	3,0	3,0	3,0	3,0	3,0	3,0	3,0	3,0	3,0
Skrūve Nida M8	gab.	11,3	11,3	11,3	11,3	11,3	11,3	11,3	11,3	11,3
Kniedes	gab.	5,6	5,6	5,6	5,6	5,6	5,6	5,6	5,6	5,6
Tērauda enkurošanas elements (tips atbilstoši būves svaram) ⁴⁾	gab.	12,6	12,6	12,6	12,6	12,6	12,6	12,6	12,6	12,6
Pašurbjošās skrūves Nida 3,5x25 mm ⁵⁾	gab.	6,0	6,0	6,0	6,0	-	-	6,0	-	-
Pašurbjošās skrūves Nida 3,5x35 mm ⁵⁾	gab.	18,0	18,0	18,0	18,0	-	-	-	-	-
Pašurbjošās skrūves Nida 3,5x45 mm ⁵⁾	gab.	-	-	-	-	-	-	18,0	-	-
Pašurbjošās skrūves Nida Cietā 35 (3,9x35 mm) ⁵⁾	gab.	-	-	-	-	24,0	-	-	6,0	-
Pašurbjošās skrūves Nida Cietā 45 (3,9x45 mm) ⁵⁾	gab.	-	-	-	-	-	-	-	18,0	-
Pašurbjošās skrūves Nida Hydro C4 3,5x25 mm ⁵⁾	gab.	-	-	-	-	-	6,0	-	-	6,0
Pašurbjošās skrūves Nida Hydro C4 3,5x41 mm ⁵⁾	gab.	-	-	-	-	-	18,0	-	-	18,0
Līmlente šuvēm Nida	tek.m	1,4	1,4	1,4	1,4	1,4	1,4	1,4	1,4	1,4
Ģipša špaktele Nida Start	kg	0,6	0,6	0,6	0,6	-	-	0,6	-	-
Ģipša špaktele Nida Finisz	kg	0,1	0,1	0,1	0,1	-	-	-	0,1	-
Gatavā špaktelmasa Nida Hydromix ⁶⁾	kg	-	-	-	-	0,7	0,7	-	-	0,7

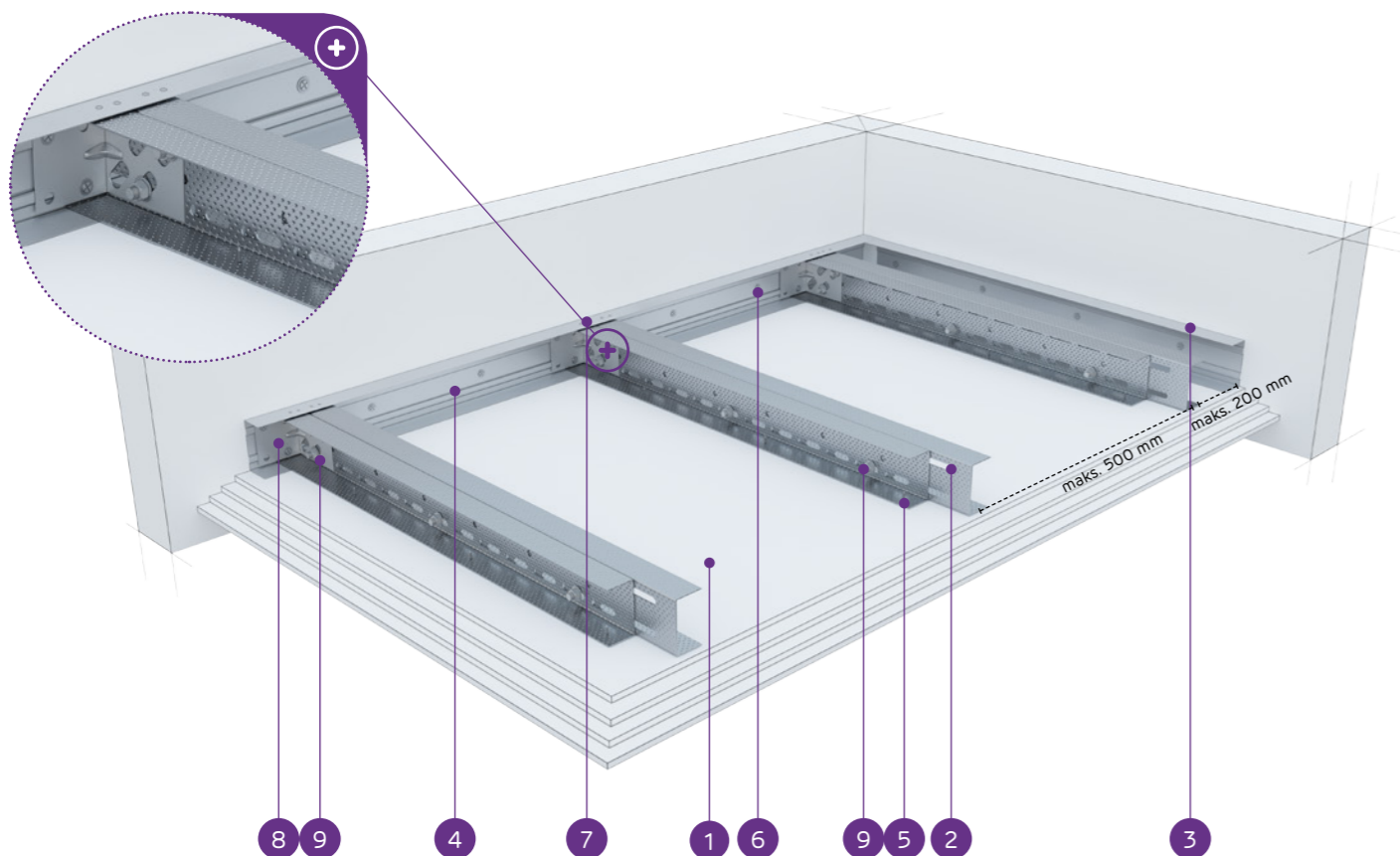
⁴⁾ Enkurošanas elementu tips un skaits jāizvēlas saskaņā ar shēmu, kas iekļauta ITB tehniskajā atzinumā Pašnesošie griesti: ITB 1060/12/R33NK.⁵⁾ Ieteicams izmantot 2 mm pašurbjošās skrūves.⁶⁾ Izmantojot ģipša šķiedru plāksnes Nida Cietā, kā alternatīvu varat izmantot arī Nida Planfix Fresh ģipša špakteļi. Patēriņa standartos nav ņemti vērā materiālie zaudējumi.

nida Griesti

Ugunsizturības
klase:
(R)EI60
(R)EI90
(R)EI120Maksimālais
apdares
platums:
3760 mmMinimālais
piekāršanas
augstums:
60 mmBūves svars
1m²:
38,0-70,0 kgSaistītā
dokumenta
numurs:
EN13964:2004+A1Eksploatacijas īpašību deklarācija:
DoP/Ceiling System/0059/15.11.2016

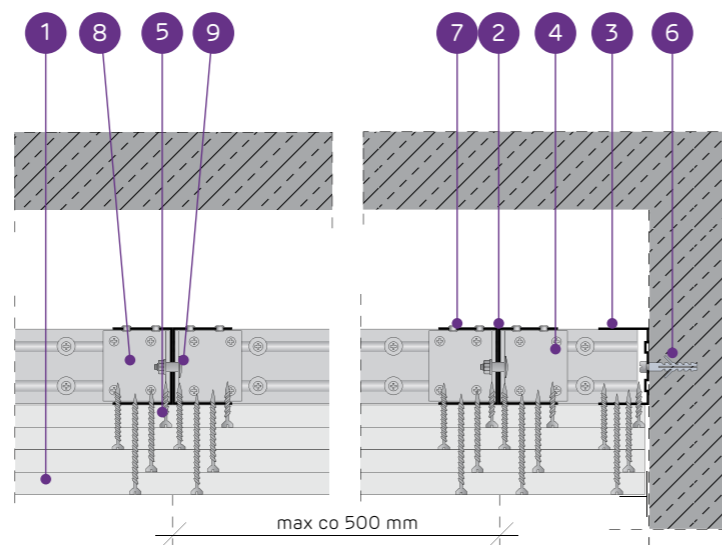
SISTĒMAS:

UARUAR50/U50/500-37,5; UARUAR50/U50/500-40; UARUAR50/U50/500-60



MATERIĀLI:

1. Ģipškartona plāksnes Nida
2. Dubultais nesošais profils Nida UAR 50
3. Konstrukcijas profils Nida U 50
4. Nesošais profils Nida U 50
5. Pašurbjošā skrūve Nida 3,5 x 25 mm
6. Tērauda enkurošanas elements ar Tērauda paplāksni
7. Kniede
8. Leņķis Nida UA profilam
9. Skrūve Nida M8



PAŠNESOŠO GRIESTU SISTĒMA AR DUBULTO NIDA UAR50 KONSTRUKCIJU

TEHNISKIE PARAMETRI

Sistēmas tips Nida Griesti	Režģa konstrukcija				Ģipša plāksņu apšuvums		Minimālais piekāršanas augstums [mm]	Būves svars 1 m ² kg	Ugunsizturības klase ¹⁾ [min.]	Maksimālais griestu apdares platums ²⁾ [mm]	Īpašā sistē- ma
	Nida nesošā profila tips	Nida nesošā perimetra profila tips	Nida konstruk- cijas perimetra profila tips	Maksimālais Nida UAR50 nesošo profilu atstatums [mm]	Nida	Biezums					
UARUAR50/U50/500-37,5/Uguns+	2xUAR50	U50	U50	500	Uguns Pluss	3x12,5	97,5	38,0	(R)EI60	3760	-
UARUAR50/U50/500-37,5/ŪdensUguns+	2xUAR50	U50	U50	500	Ūdens Uguns Pluss	3x12,5	97,5	38,0	(R)EI60	3760	-
UARUAR50/U50/500-37,5/Cietā	2xUAR50	U50	U50	500	Cietā	3x12,5	97,5	47,0	(R)EI60	3360	●
UARUAR50/U50/500-37,5/Hydro	2xUAR50	U50	U50	500	Hydro	3x12,5	97,5	41,0	(R)EI60	3540	●
UARUAR50/U50/500-40/Uguns+	2xUAR50	U50	U50	500	Uguns Pluss	2x12,5+15,0	100	42,0	(R)EI90	3540	-
UARUAR50/U50/500-40/Cietā	2xUAR50	U50	U50	500	Cietā	2x12,5+15,0	100	49,0	(R)EI90	3360	●
UARUAR50/U50/500-40/Hydro	2xUAR50	U50	U50	500	Hydro	2x12,5+15,0	100	44,0	(R)EI90	3540	●
UARUAR50/U50/500-60/Uguns+	2xUAR50	U50	U50	500	Uguns Pluss	4x15,0	120	63,0	(R)EI120	2950	-
UARUAR50/U50/500-60/Cietā	2xUAR50	U50	U50	500	Cietā	4x15,0	120	70,0	(R)EI120	2840	●
UARUAR50/U50/500-60/Hydro	2xUAR50	U50	U50	500	Hydro	4x15,0	120	63,0	(R)EI120	2950	●

¹⁾ Ugunsdrošības klasifikācija LBO-458-K/17.²⁾ Tehniskais atzinums ITB 1060/12/R33NK.MATERIĀLU PATĒRIŅŠ UZ 1 M² GRIESTU APBŪVES NIDA GRIESTI SISTĒMĀ

Materiāla nosaukums	Mērv.	Sistēmas tips Nida Griesti									
		UARUAR50/ U50/500- 37,5/Uguns+	UARUAR50/ U50/500- 37,5/ ŪdensUguns+	UARUAR50/ U50/500- 37,5/Cietā	UARUAR50/ U50/500- 37,5/Hydro	UARUAR50/ U50/500-40/ Uguns+	UARUAR50/ U50/500-40/ Cietā	UARUAR50/ U50/500-40/ Hydro	UARUAR50/ U50/500-60/ Uguns+	UARUAR50/ U50/500-60/ Cietā	UARUAR50/ U50/500-60/ Hydro
Materiāla patēriņš uz 1 m ²											
Plāksne Nida Uguns Pluss 12,5 mm	m ²	3,0	-	-	-	2,0	-	-	-	-	-
Plāksne Nida Ūdens Uguns Pluss 12,5 mm	m ²	-	3,0	-	-	-	-	-	-	-	-
Plāksne Nida Cietā 12,5 mm	m ²	-	-	3,0	-	-	2,0	-	-	-	-
Plāksne Nida Hydro 12,5 mm	m ²	-	-	-	3,0	-	-	2,0	-	-	-
Plāksne Nida Uguns Pluss 15,0 mm	m ²	-	-	-	-	1,0	-	-	4,0	-	-
Plāksne Nida Cietā 15,0 mm	m ²	-	-	-	-	-	1,0	-	-	4,0	-
Plāksne Nida Hydro 15,0 mm	m ²	-	-	-	-	-	-	1,0	-	-	4,0
Profils Nida C50	tek.m	4,4	4,4	4,4	4,4	4,4	4,4	4,4	4,4	4,4	4,4
Profils Nida U50	tek.m	0,75	0,75	0,75	0,75	0,75	0,75	0,75	0,75	0,75	0,75
Leņķis Nida UAR50 profilam	gab.	3,0	3,0	3,0	3,0	3,0	3,0	3,0	3,0	3,0	3,0
Skrūve Nida M8	gab.	11,3	11,3	11,3	11,3	11,3	11,3	11,3	11,3	11,3	11,3
Kniedes	gab.	5,6	5,6	5,6	5,6	5,6	5,6	5,6	5,6	5,6	5,6
Tērauda enkurošanas elements (tips atbilstoši būves svaram) ³⁾	gab.	12,6	12,6	12,6	12,6	12,6	12,6	12,6	12,6	12,6	12,6
Pašurbjošās skrūves Nida 3,5x25 mm ⁴⁾	gab.	6,0	6,0	-	-	6,0	-	-	6,0	-	-
Pašurbjošās skrūves Nida 3,5x35 mm ⁴⁾	gab.	6,0	6,0	-	-	6,0	-	-	-	-	-
Pašurbjošās skrūves Nida 3,5x45 mm ⁴⁾	gab.	-	-	-	-	-	-	-	6,0	-	-
Pašurbjošās skrūves Nida 3,5x55 mm ⁴⁾	gab.	18,0	18,0	-	-	18,0	-	-	6,0	-	-
Pašurbjošās skrūves Nida 4,2x70 mm ⁴⁾	gab.	-	-	-	-	-	-	-	18,0	-	-
Pašurbjošās skrūves Nida Cietā 35 (3,9x35 mm) ⁴⁾	gab.	-	-	12,0	-	-	12,0	-	-	6,0	-
Pašurbjošās skrūves Nida Cietā 45 (3,9x45 mm) ⁴⁾	gab.	-	-	-	-	-	-	-	-	6,0	-
Pašurbjošās skrūves Nida Cietā 55 (3,9x55 mm) ⁴⁾	gab.	-	-	18,0	-	-	18,0	-	-	6,0	-
Pašurbjošās skrūves Nida Cietā 70 (4,2x70 mm) ⁴⁾	gab.	-	-	-	-	-	-	-	-	18,0	-
Pašurbjošās skrūves Nida Hydro C4 3,5x25 mm ⁴⁾	gab.	-	-	-	6,0	-	-	6,0	-	-	6,0
Pašurbjošās skrūves Nida Hydro C4 3,5x41 mm ⁴⁾	gab.	-	-	-	6,0	-	-	6,0	-	-	6,0
Pašurbjošās skrūves Nida Hydro C4 3,5x55 mm ⁴⁾	gab.	-	-	-	18,0	-	-	18,0	-	-	6,0
Pašurbjošās skrūves Nida Hydro C4 4,2x70 mm ⁴⁾	gab.	-	-	-	-	-	-	-	-	-	18,0
Līmlente šuvēm Nida	tek.m	1,4	1,4	1,4	1,4	1,4	1,4	1,4	1,4	1,4	1,4
Ģipša špaktele Nida Start	kg	0,9	0,9	-	-	0,9	-	-	1,2	-	-
Ģipša špaktele Nida Finisz	kg	0,1	0,1	-	-	0,1	-	-	0,1	-	-
Gatavā špaktele/masa Nida Hydromix ⁵⁾	kg	-	-	1,0	1,0	-	1,0	1,0	-	1,3	1,3

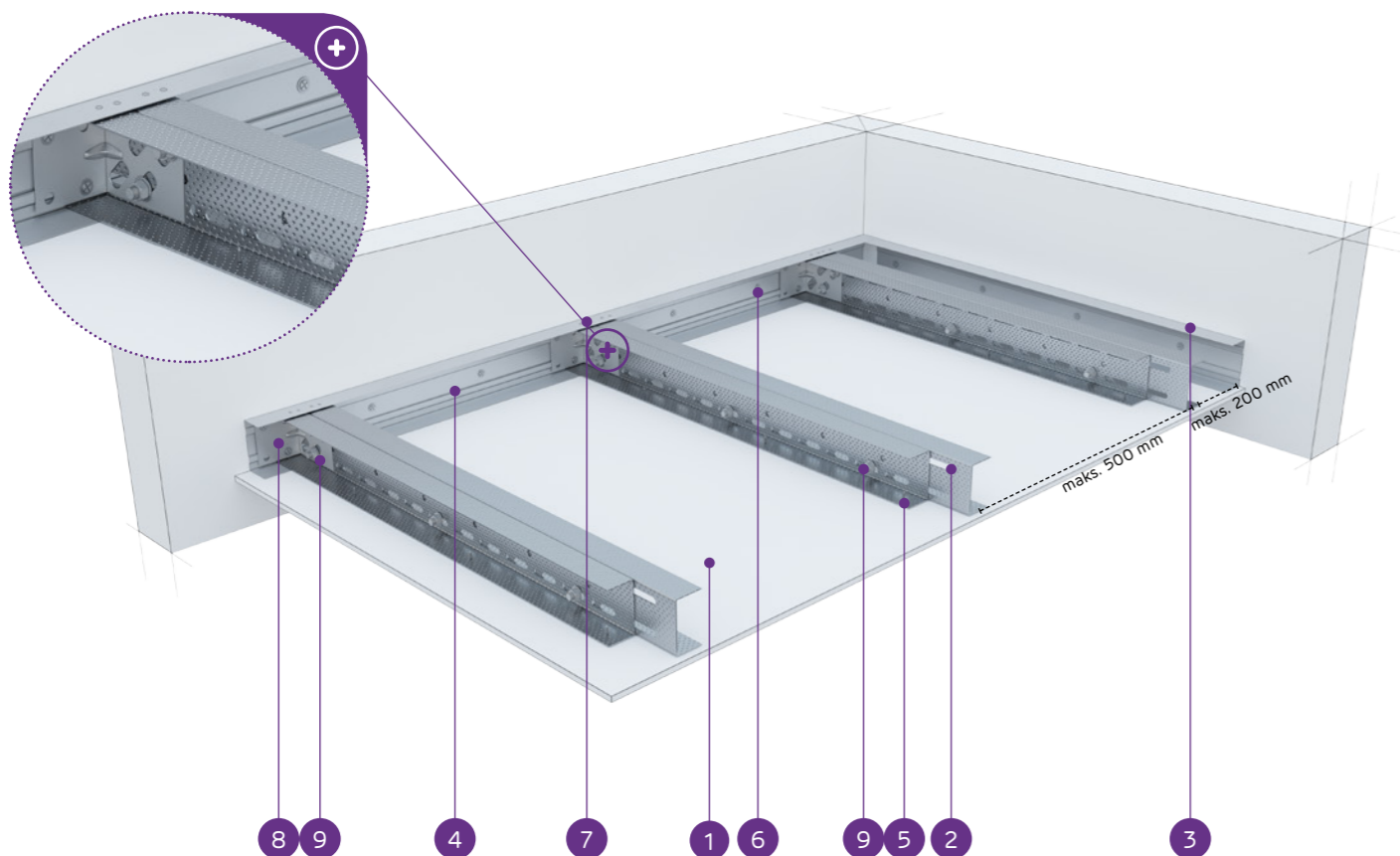
³⁾ Enkurošanas elementu tips un skaits jāizvēlas saskaņā ar shēmu, kas iekļauta ITB tehniskajā atzinumā Pašnesošie griesti: ITB 1060/12/R33NK.⁴⁾ Ieteicams izmantot 2 mm pašurbjošās skrūves.⁵⁾ Izmantojot ģipša šķiedru plāksnes Nida Cietā, kā alternatīvu varat izmantot arī Nida Planfix Fresh ģipša špakteļi. Patēriņa standartos nav ņemti vērā materiālie zaudējumi.

nida Griesti

Ugunsizturības
klase:
(R)EI15
(R)EI30Maksimālais
apdares
platums:
6500 mmMinimālais
piekāršanas
augstums:
85 mmBūves svars
1m²:
17,0-25,0 kgSaistītā
dokumenta
numurs:
EN13964:2004+A1Eksploatacijas īpašību deklarācija:
DoP/Ceiling System/0061/15.11.2016

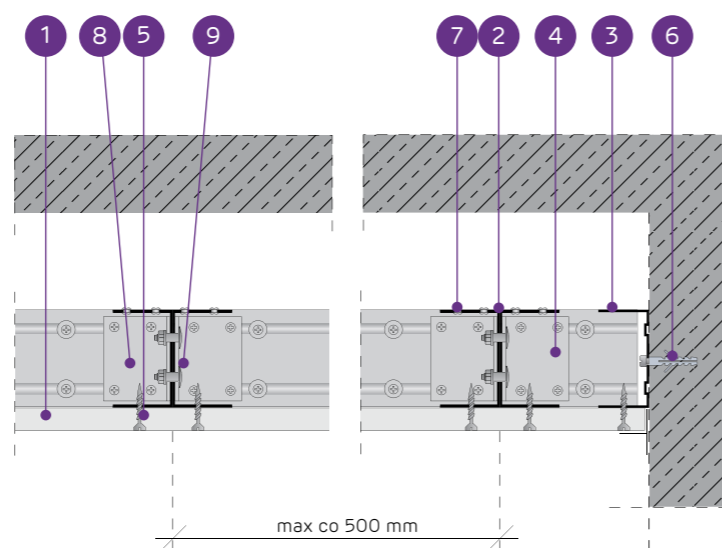
SISTĒMAS:

UARUAR75/U75/500-12,5; UARUAR75/U75/500-15; UARUAR75/U75/500-18



MATERIĀLI:

1. Ģipškartona plāksnes Nida
2. Dubultais nesošais profils Nida UAR 75
3. Konstrukcijas profils Nida U 75
4. Nesošais profils Nida U 75
5. Pašurbjošā skrūve Nida 3,5 x 25 mm
6. Tērauda enkurošanas elements ar Tērauda paplāksni
7. Kniede
8. Leņķis Nida UA profilam
9. Skrūve Nida M8



PAŠNESOŠO GRIESTU SISTĒMA AR DUBULTO NIDA UAR75 KONSTRUKCIJU

TEHNISKIE PARAMETRI

Sistēmas tips Nida Griesti	Režģa konstrukcija				Ģipša plākšņu apšuvums		Minimālais piekāršanas augstums	Būves svars 1 m ²	Ugunsizturības klase ¹⁾	Maksimālais griestu apdares platums ²⁾	Ipašā sistē- ma
	Nida nesošā profila tips	Nida nesošā perimetra profila tips	Nida konstruk- cijas perimetra profila tips	Maksimālais Nida UAR75 nesošo profilu atstatums	Nida	Biezums					
			[mm]			[mm]	kg	[min.]	[mm]		
UARUAR75/U75/500-12,5/Expert	2xUAR75	U75	U75	500	Expert	12,5	97,5	17,0	-	6500	-
UARUAR75/U75/500-12,5/Ūdens ³⁾	2xUAR75	U75	U75	500	Ūdens	12,5	97,5	18,0	-	6500	-
UARUAR75/U75/500-12,5/Uguns+	2xUAR75	U75	U75	500	Uguns Pluss	12,5	97,5	19,0	(R)EI15	6500	-
UARUAR75/U75/500-12,5/ŪdensUguns+	2xUAR75	U75	U75	500	Ūdens Uguns Pluss	12,5	97,5	19,0	(R)EI15	6500	-
UARUAR75/U75/500-12,5/Cietā	2xUAR75	U75	U75	500	Cietā	12,5	97,5	22,0	(R)EI15	5810	●
UARUAR75/U75/500-12,5/Hydro	2xUAR75	U75	U75	500	Hydro	12,5	97,5	20,0	(R)EI15	6500	●
UARUAR75/U75/500-15/Uguns+	2xUAR75	U75	U75	500	Uguns Pluss	15,0	100	23,0	(R)EI15	5810	-
UARUAR75/U75/500-15/Cietā	2xUAR75	U75	U75	500	Cietā	15,0	100	25,0	(R)EI15	5810	●
UARUAR75/U75/500-15/Hydro	2xUAR75	U75	U75	500	Hydro	15,0	100	23,0	(R)EI15	5810	●
UARUAR75/U75/500-18/Uguns+	2xUAR75	U75	U75	500	Uguns Pluss	18,0	103	24,0	(R)EI30	5810	-

¹⁾ Ugunsdrošības klasifikācija LBO-458-K/17.²⁾ Tehniskais atzinums ITB 1060/12/R33NK.³⁾ Telpās ar relatīvo gaisa mitrumu līdz 85 % stūra sekcijās pret intensīvu ūdens iedarbību ieteicams izmantot Nida Hydro ģipša šķiedru plāksnes (horizontālām un vertikālām virsmām vannas, dušas utt. zonās).MATERIĀLU PATĒRIŅŠ UZ 1 M² GRIESTU APBŪVES NIDA GRIESTI SISTĒMĀ

Materiāla nosaukums	Mērv.	Sistēmas tips Nida Griesti									
		UARUAR75/ U75/500-12,5/ Expert	UARUAR75/ U75/500-12,5/ Ūdens	UARUAR75/ U75/500-12,5/ Uguns+	UARUAR75/ U75/500-12,5/ ŪdensUguns+	UARUAR75/ U75/500-12,5/ Cietā	UARUAR75/ U75/500-12,5/ Hydro	UARUAR75/ U75/500-15/ Uguns+	UARUAR75/ U75/500-15/ Cietā	UARUAR75/ U75/500-15/ Hydro	UARUAR75/ U75/500-18/ Uguns+
Materiāla patēriņš uz 1 m ²											
Plāksne Nida Expert 12,5 mm	m ²	1,0	-	-	-	-	-	-	-	-	-
Plāksne Nida Ūdens 12,5 mm	m ²	-	1,0	-	-	-	-	-	-	-	-
Plāksne Nida Uguns Pluss 12,5 mm	m ²	-	-	1,0	-	-	-	-	-	-	-
Plāksne Nida Ūdens Uguns Pluss 12,5 mm	m ²	-	-	-	1,0	-	-	-	-	-	-
Plāksne Nida Cietā 12,5 mm	m ²	-	-	-	-	1,0	-	-	-	-	-
Plāksne Nida Hydro 12,5 mm	m ²	-	-	-	-	-	1,0	-	-	-	-
Plāksne Nida Uguns Pluss 15,0 mm	m ²	-	-	-	-	-	-	1,0	-	-	-
Plāksne Nida Cietā 15,0 mm	m ²	-	-	-	-	-	-	-	1,0	-	-
Plāksne Nida Hydro 15,0 mm	m ²	-	-	-	-	-	-	-	-	1,0	-
Plāksne Nida Uguns Pluss 18,0 mm	m ²	-	-	-	-	-	-	-	-	-	1,0
Profils Nida UAR75	tek.m	4,4	4,4	4,4	4,4	4,4	4,4	4,4	4,4	4,4	4,4
Profils Nida U75	tek.m	0,75	0,75	0,75	0,75	0,75	0,75	0,75	0,75	0,75	0,75
Leņķis Nida UAR75 profilam	gab.	3,0	3,0	3,0	3,0	3,0	3,0	3,0	3,0	3,0	3,0
Skrūve Nida M8	gab.	11,3	11,3	11,3	11,3	11,3	11,3	11,3	11,3	11,3	11,3
Kniedes	gab.	5,6	5,6	5,6	5,6	5,6	5,6	5,6	5,6	5,6	5,6
Tērauda enkurošanas elements (tips atbilstoši būves svaram) ⁴⁾	gab.	12,6	12,6	12,6	12,6	12,6	12,6	12,6	12,6	12,6	12,6
Pašurbjošās skrūves Nida 3,5x25 mm ⁵⁾	gab.	18,0	18,0	18,0	18,0	-	-	18,0	-	-	-
Pašurbjošās skrūves Nida 3,5x35 mm ⁵⁾	gab.	-	-	-	-	-	-	-	-	-	18,0
Pašurbjošās skrūves Nida Cietā 35 (3,9x35 mm) ⁵⁾	gab.	-	-	-	-	18,0	-	-	18,0	-	-
Pašurbjošās skrūves Nida Hydro C4 3,5x25 mm ⁵⁾	gab.	-	-	-	-	-	18,0	-	-	18,0	-
Līm lente šuvēm Nida	tek.m	1,4	1,4	1,4	1,4	1,4	1,4	1,4	1,4	1,4	1,4
Ģipša špaktele Nida Start	kg	0,3	0,3	0,3	0,3	-	-	0,3	-	-	0,3
Ģipša špaktele Nida Finisz	kg	0,1	0,1	0,1	0,1	-	-	0,1	-	-	0,1
Gatavā špaktelmasa Nida Hydromix ⁶⁾	kg	-	-	-	-	0,4	0,4	-	0,4	0,4	-

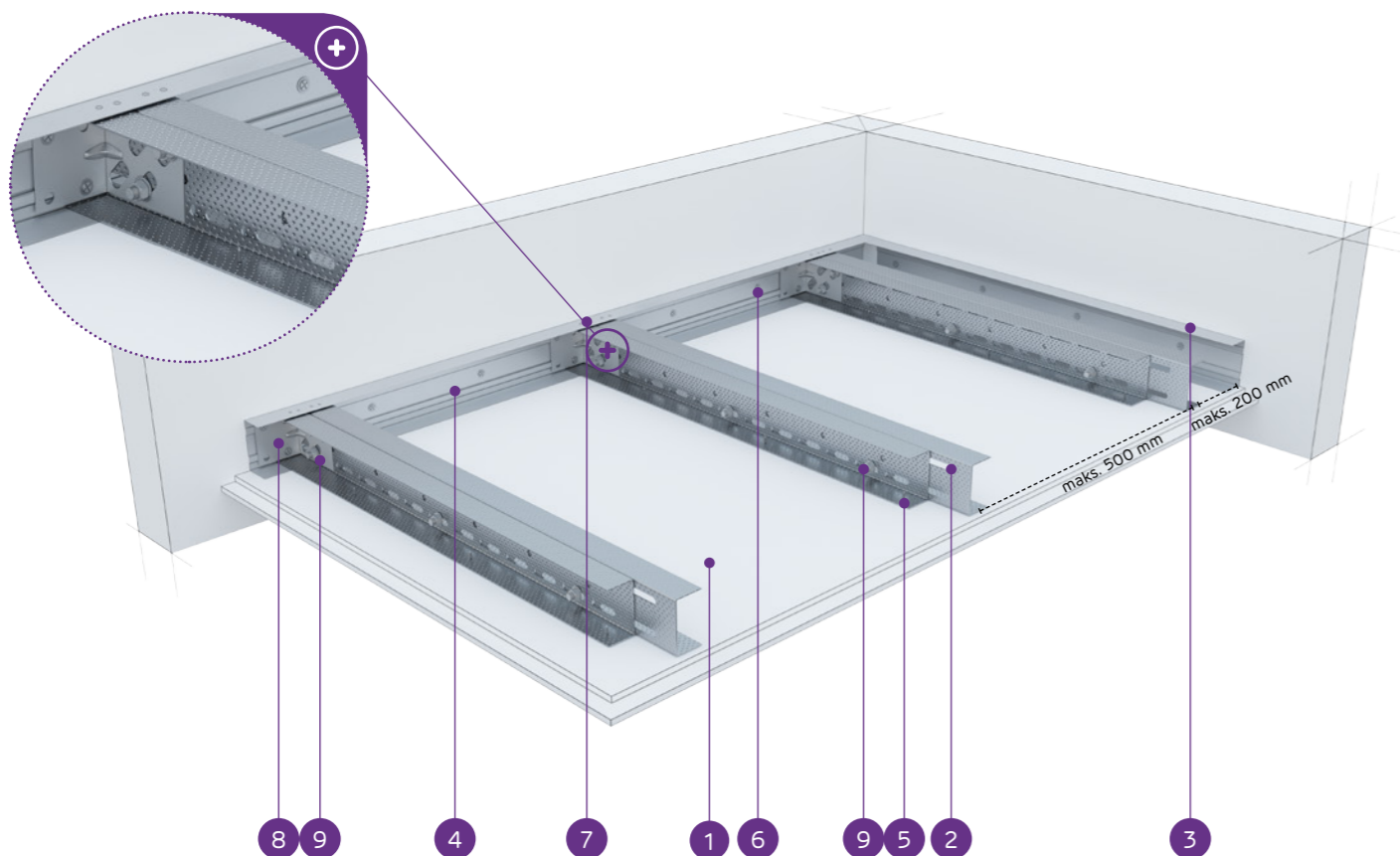
⁴⁾ Enkurošanas elementu tips un skaits jāizvēlas saskaņā ar shēmu, kas iekļauta ITB tehniskajā atzinumā Pašnesošie griesti: ITB 1060/12/R33NK.⁵⁾ Ieteicams izmantot 2 mm pašurbjošās skrūves.⁶⁾ Izmantojot ģipša šķiedru plāksnes Nida Cietā, kā alternatīvu varat izmantot arī Nida Planfix Fresh ģipša špakteļi. Patēriņa standartos nav ņemti vērā materiālie zaudējumi.

nida Griesti

Ugunsizturības
klase:
(R)EI45
(R)EI60Maksimālais
apdares
platums:
5390 mmMinimālais
piekāršanas
augstums:
85 mmBūves svars
1m²:
26,0-40,0 kgSaisītā
dokumenta
numurs:
EN13964:2004+A1Eksploatacijas īpašību deklarācija:
DoP/Ceiling System/0061/15.11.2016

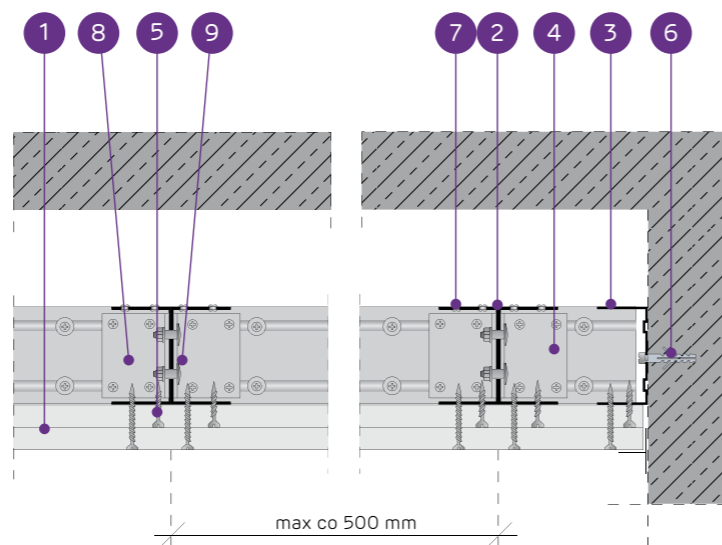
SISTĒMAS:

UARUAR75/U75/500-25; UAR75/U75/500-30



MATERIĀLI:

1. Ģipškartona plāksnes Nida
2. Dubultais nesošais profils Nida UAR 75
3. Konstrukcijas profils Nida U 75
4. Nesošais profils Nida U 75
5. Pašurbjošā skrūve Nida 3,5 x 25 mm
6. Tērauda enkurošanas elements ar Tērauda paplāksni
7. Kniede
8. Leņķis Nida UA profilam
9. Skrūve Nida M8



PAŠNESOŠO GRIESTU SISTĒMA AR DUBULTO NIDA UAR75 KONSTRUKCIJU

TEHNISKIE PARAMETRI

Sistēmas tips Nida Griesti	Režģa konstrukcija				Ģipša plākšņu apšuvums		Minimālais piekāršanas augstums	Būves svars 1 m ²	Ugunsizturības klase ¹⁾	Maksimālais griestu apdares platums ²⁾	Ipaša sistē- ma
	Nida nesošā profila tips	Nida nesošā perimetra profila tips	Nida konstruk- cijas perimetra profila tips	Maksimālais Nida UAR75 nesošo profilu atstatums	[mm]						
					Nida	Biezums					
UARUAR75/U75/500-25/Expert	2xUAR75	U75	U75	500	Expert	2x12,5	110	26,0	-	5390	-
UARUAR75/U75/500-25/Ūdens ³⁾	2xUAR75	U75	U75	500	Ūdens	2x12,5	110	27,0	-	5390	-
UARUAR75/U75/500-25/Uguns+	2xUAR75	U75	U75	500	Uguns Pluss	2x12,5	110	30,0	(R)EI45	5390	-
UARUAR75/U75/500-25/ŪdensUguns+	2xUAR75	U75	U75	500	Ūdens Uguns Pluss	2x12,5	110	30,0	(R)EI45	5390	-
UARUAR75/U75/500-25/Cietā	2xUAR75	U75	U75	500	Cietā	2x12,5	110	35,0	(R)EI45	4990	●
UARUAR75/U75/500-25/Hydro	2xUAR75	U75	U75	500	Hydro	2x12,5	110	31,0	(R)EI45	4990	●
UARUAR75/U75/500-30/Uguns+	2xUAR75	U75	U75	500	Uguns Pluss	2x15,0	115	37,0	(R)EI60	4670	-
UARUAR75/U75/500-30/Cietā	2xUAR75	U75	U75	500	Cietā	2x15,0	115	40,0	(R)EI60	4670	●
UARUAR75/U75/500-30/Hydro	2xUAR75	U75	U75	500	Hydro	2x15,0	115	37,0	(R)EI60	4670	●

¹⁾ Ugunsdrošības klasifikācija LBO-458-K/17.²⁾ Tehniskais atzinums ITB 1060/12/R33NK.³⁾ Telpās ar relatīvo gaisa mitrumu līdz 85 % stūra sekcijās pret intensīvu ūdens iedarbību ieteicams izmantot Nida Hydro ģipša šķiedru plāksnes (horizontālām un vertikālām virsmām vannas, dušas utt. zonās).MATERIĀLU PATĒRIŅŠ UZ 1 M² GRIESTU APBŪVES NIDA GRIESTI SISTĒMĀ

Materiāla nosaukums	Mērv.	Sistēmas tips Nida Griesti									
		UARUAR75/ U75/500-25/ Expert	UARUAR75/ U75/500-25/ Ūdens	UARUAR75/ U75/500-25/ Uguns+	UARUAR75/ U75/500-25/ ŪdensUguns+	UARUAR75/ U75/500-25/ Cietā	UARUAR75/ U75/500-25/ Hydro	UARUAR75/ U75/500-30/ Uguns+	UARUAR75/ U75/500-30/ Cietā	UARUAR75/ U75/500-30/ Hydro	
Materiālu patēriņš uz 1 m ²											
Plāksne Nida Expert 12,5 mm	m ²	2,0	-	-	-	-	-	-	-	-	-
Plāksne Nida Ūdens 12,5 mm	m ²	-	2,0	-	-	-	-	-	-	-	-
Plāksne Nida Uguns Pluss 12,5 mm	m ²	-	-	2,0	-	-	-	-	-	-	-
Plāksne Nida Ūdens Uguns Pluss 12,5 mm	m ²	-	-	-	2,0	-	-	-	-	-	-
Plāksne Nida Cietā 12,5 mm	m ²	-	-	-	-	2,0	-	-	-	-	-
Plāksne Nida Hydro 12,5 mm	m ²	-	-	-	-	-	2,0	-	-	-	-
Plāksne Nida Uguns Pluss 15,0 mm	m ²	-	-	-	-	-	-	2,0	-	-	-
Plāksne Nida Cietā 15,0 mm	m ²	-	-	-	-	-	-	-	2,0	-	-
Plāksne Nida Hydro 15,0 mm	m ²	-	-	-	-	-	-	-	-	2,0	-
Profils Nida UAR75	tek.m	4,4	4,4	4,4	4,4	4,4	4,4	4,4	4,4	4,4	4,4
Profils Nida U75	tek.m	0,75	0,75	0,75	0,75	0,75	0,75	0,75	0,75	0,75	0,75
Leņķis Nida UAR75 profilam	gab.	3,0	3,0	3,0	3,0	3,0	3,0	3,0	3,0	3,0	3,0
Skrūve Nida M8	gab.	11,3	11,3	11,3	11,3	11,3	11,3	11,3	11,3	11,3	11,3
Kniedes	gab.	5,6	5,6	5,6	5,6	5,6	5,6	5,6	5,6	5,6	5,6
Tērauda enkurošanas elements (tips atbilstoši būves svaram) ⁴⁾	gab.	12,6	12,6	12,6	12,6	12,6	12,6	12,6	12,6	12,6	12,6
Pašurbjošās skrūves Nida 3,5x25 mm ⁵⁾	gab.	6,0	6,0	6,0	6,0	-	-	6,0	-	-	-
Pašurbjošās skrūves Nida 3,5x35 mm ⁵⁾	gab.	18,0	18,0	18,0	18,0	-	-	-	-	-	-
Pašurbjošās skrūves Nida 3,5x45 mm ⁵⁾	gab.	-	-	-	-	-	-	18,0	-	-	-
Pašurbjošās skrūves Nida Cietā 35 (3,9x35 mm) ⁵⁾	gab.	-	-	-	-	24,0	-	-	6,0	-	-
Pašurbjošās skrūves Nida Cietā 45 (3,9x45 mm) ⁵⁾	gab.	-	-	-	-	-	-	-	18,0	-	-
Pašurbjošās skrūves Nida Hydro C4 3,5x25 mm ⁵⁾	gab.	-	-	-	-	-	6,0	-	-	6,0	-
Pašurbjošās skrūves Nida Hydro C4 3,5x41 mm ⁵⁾	gab.	-	-	-	-	-	18,0	-	-	18,0	-
Līmēte šuvēm Nida	tek.m	1,4	1,4	1,4	1,4	1,4	1,4	1,4	1,4	1,4	1,4
Ģipša špaktele Nida Start	kg	0,6	0,6	0,6	0,6	-	-	0,6	-	-	-
Ģipša špaktele Nida Finisz	kg	0,1	0,1	0,1	0,1	-	-	0,1	-	-	-
Gatavā špaktelmasa Nida Hydromix ⁶⁾	kg	-	-	-	-	0,7	0,7	-	0,7	0,7	0,7

⁴⁾ Enkurošanas elementu tips un skaits jāizvēlas saskaņā ar shēmu, kas iekļauta ITB tehniskajā atzinumā Pašnesošie griesti: ITB 1060/12/R33NK.⁵⁾ Ieteicams izmantot 2 mm pašurbjošās skrūves.⁶⁾ Izmantojot ģipša šķiedru plāksnes Nida Cietā, kā alternatīvu varat izmantot arī Nida Planfix Fresh ģipša špakteļi.

Patēriņa standartos nav ņemti vērā materiālie zaudējumi.

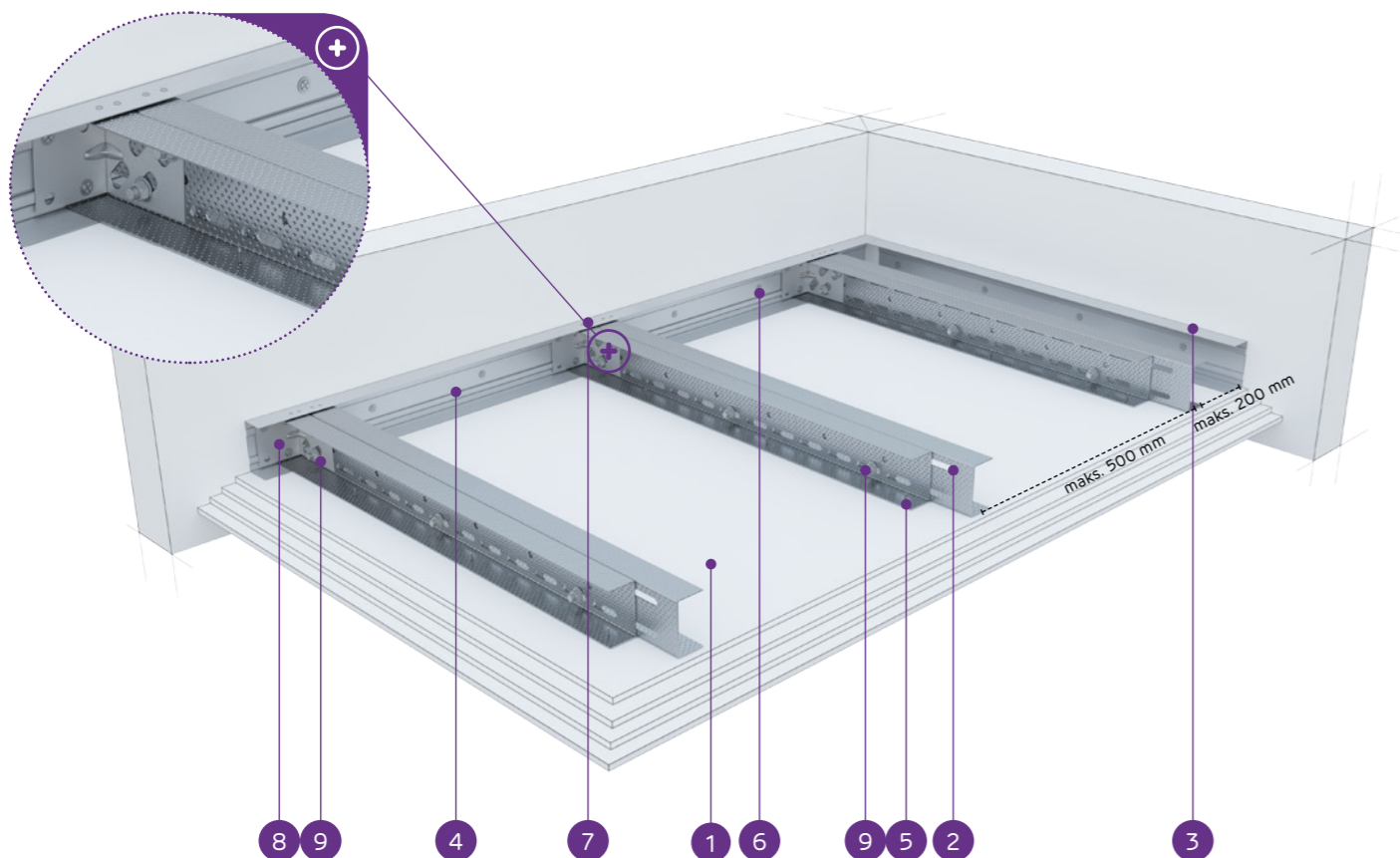


nida Griesti

Ugunsizturības
klase:
(R)EI60
(R)EI90
(R)EI120Maksimālais
apdares
platums:
4670 mmMinimālais
piekāršanas
augstums:
85 mmBūves svars
1m²:
40,0-72,0 kgSaistītā
dokumenta
numurs:
EN13964:2004+A1Eksploatacijas īpašību deklarācija:
DoP/Ceiling System/0061/15.11.2016

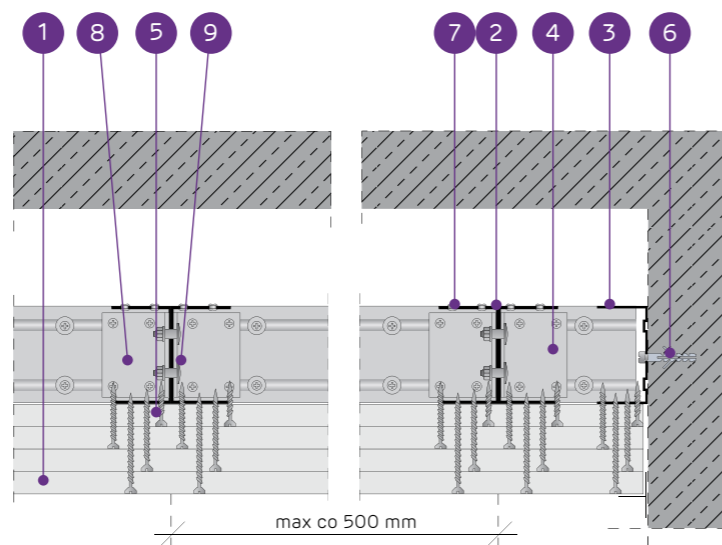
SISTĒMAS:

UARUAR75/U75/500-37,5; UARUAR75/U75/500-40; UARUAR75/U75/500-60



MATERIĀLI:

1. Ģipškartona plāksnes Nida
2. Dubultais nesošais profils Nida UAR 75
3. Konstrukcijas profils Nida U 75
4. Nesošais profils Nida U 75
5. Pašurbjošā skrūve Nida 3,5 x 25 mm
6. Tērauda enkurošanas elements ar Tērauda paplāksni
7. Kniede
8. Leņķis Nida UA profilam
9. Skrūve Nida M8



PAŠNESOŠO GRIESTU SISTĒMA AR DUBULTO NIDA UAR75 KONSTRUKCIJU

TEHNISKIE PARAMETRI

Sistēmas tips Nida Griesti	Režģa konstrukcija				Ģipša plāksņu apšuvums		Minimālais piekāršanas augstums	Būves svars 1m ²	Ugunsizturības klase ¹⁾	Maksimālais griestu apdares platums ²⁾	Ipašā sistē- ma
	Nida nesošā profila tips	Nida nesošā perimetra profila tips	Nida konstruk- cijas perimetra profila tips	Maksimālais Nida UAR75 nesošo profilu atstatums	Ģipša plāksņu apšuvums						
					Nida	Biezums					
UARUAR75/U75/500-37,5/Uguns+	2xUAR75	U75	U75	500	Uguns Pluss	3x12,5	122,5	40,0	(R)EI60	4670	-
UARUAR75/U75/500-37,5/ŪdensUguns+	2xUAR75	U75	U75	500	Ūdens Uguns Pluss	3x12,5	122,5	40,0	(R)EI60	4670	-
UARUAR75/U75/500-37,5/Cietā	2xUAR75	U75	U75	500	Cietā	3x12,5	122,5	48,0	(R)EI60	4180	●
UARUAR75/U75/500-37,5/Hydro	2xUAR75	U75	U75	500	Hydro	3x12,5	122,5	42,0	(R)EI60	4400	●
UARUAR75/U75/500-40/Uguns+	2xUAR75	U75	U75	500	Uguns Pluss	2x12,5+15,0	125	43,0	(R)EI90	4400	-
UARUAR75/U75/500-40/Cietā	2xUAR75	U75	U75	500	Cietā	2x12,5+15,0	125	51,0	(R)EI90	3980	●
UARUAR75/U75/500-40/Hydro	2xUAR75	U75	U75	500	Hydro	2x12,5+15,0	125	45,0	(R)EI90	4400	●
UARUAR75/U75/500-60/Uguns+	2xUAR75	U75	U75	500	Uguns Pluss	4x15,0	145	64,0	(R)EI120	3660	-
UARUAR75/U75/500-60/Cietā	2xUAR75	U75	U75	500	Cietā	4x15,0	145	72,0	(R)EI120	3410	●
UARUAR75/U75/500-60/Hydro	2xUAR75	U75	U75	500	Hydro	4x15,0	145	64,0	(R)EI120	3660	●

¹⁾ Ugunsdrošības klasifikācija LBO-458-K/17.²⁾ Tehniskais atzinums ITB 1060/12/R33NK.MATERIĀLU PATĒRĪNŠ UZ 1 M² GRIESTU APBŪVES NIDA GRIESTI SISTĒMĀ

Materiāla nosaukums	Mērv.	Sistēmas tips Nida Griesti									
		UARUAR75/ U75/500- 37,5/Uguns+	UARUAR75/ U75/500- 37,5/ ŪdensUguns+	UARUAR75/ U75/500- 37,5/Cietā	UARUAR75/ U75/500- 37,5/Hydro	UARUAR75/ U75/500-40/ Uguns+	UARUAR75/ U75/500-40/ Cietā	UARUAR75/ U75/500-40/ Hydro	UARUAR75/ U75/500-60/ Uguns+	UARUAR75/ U75/500-60/ Cietā	UARUAR75/ U75/500-60/ Hydro
		Materiāla patēriņš uz 1 m ²									
Plāksne Nida Uguns Pluss 12,5 mm	m ²	3,0	-	-	-	2,0	-	-	-	-	
Plāksne Nida Ūdens Uguns Pluss 12,5 mm	m ²	-	3,0	-	-	-	-	-	-	-	
Plāksne Nida Cietā 12,5 mm	m ²	-	-	3,0	-	2,0	-	-	-	-	
Plāksne Nida Hydro 12,5 mm	m ²	-	-	-	3,0	-	2,0	-	-	-	
Plāksne Nida Uguns Pluss 15,0 mm	m ²	-	-	-	-	1,0	-	4,0	-	-	
Plāksne Nida Cietā 15,0 mm	m ²	-	-	-	-	-	1,0	-	4,0	-	
Plāksne Nida Hydro 15,0 mm	m ²	-	-	-	-	-	-	1,0	-	4,0	
Profils Nida UAR75	tek.m	4,4	4,4	4,4	4,4	4,4	4,4	4,4	4,4	4,4	
Profils Nida U75	tek.m	0,75	0,75	0,75	0,75	0,75	0,75	0,75	0,75	0,75	
Leņķis Nida UAR75 profilam	gab.	3,0	3,0	3,0	3,0	3,0	3,0	3,0	3,0	3,0	
Skrūve Nida M8	gab.	11,3	11,3	11,3	11,3	11,3	11,3	11,3	11,3	11,3	
Kniedes	gab.	5,6	5,6	5,6	5,6	5,6	5,6	5,6	5,6	5,6	
Tērauda enkurošanas elements (tips atbilstoši būves svaram) ³⁾	gab.	12,6	12,6	12,6	12,6	12,6	12,6	12,6	12,6	12,6	
Pašurbjošās skrūves Nida 3,5x25 mm ⁴⁾	gab.	6,0	6,0	-	-	6,0	-	-	6,0	-	
Pašurbjošās skrūves Nida 3,5x35 mm ⁴⁾	gab.	6,0	6,0	-	-	6,0	-	-	-	-	
Pašurbjošās skrūves Nida 3,5x45 mm ⁴⁾	gab.	-	-	-	-	-	-	-	6,0	-	
Pašurbjošās skrūves Nida 3,5x55 mm ⁴⁾	gab.	18,0	18,0	-	-	18,0	-	-	6,0	-	
Pašurbjošās skrūves Nida 4,2x70 mm ⁴⁾	gab.	-	-	-	-	-	-	-	18,0	-	
Pašurbjošās skrūves Nida Cietā 35 (3,9x35 mm) ⁴⁾	gab.	-	-	12,0	-	-	12,0	-	-	6,0	
Pašurbjošās skrūves Nida Cietā 45 (3,9x45 mm) ⁴⁾	gab.	-	-	-	-	-	-	-	-	6,0	
Pašurbjošās skrūves Nida Cietā 55 (3,9x55 mm) ⁴⁾	gab.	-	-	18,0	-	-	18,0	-	-	6,0	
Pašurbjošās skrūves Nida Cietā 70 (4,2x70 mm) ⁴⁾	gab.	-	-	-	-	-	-	-	-	18,0	
Pašurbjošās skrūves Nida Hydro C4 3,5x25 mm ⁴⁾	gab.	-	-	-	6,0	-	-	6,0	-	6,0	
Pašurbjošās skrūves Nida Hydro C4 3,5x41 mm ⁴⁾	gab.	-	-	-	6,0	-	-	6,0	-	6,0	
Pašurbjošās skrūves Nida Hydro C4 3,5x55 mm ⁴⁾	gab.	-	-	-	18,0	-	-	18,0	-	6,0	
Pašurbjošās skrūves Nida Hydro C4 4,2x70 mm ⁴⁾	gab.	-	-	-	-	-	-	-	-	18,0	
Līmīte šuvēm Nida	tek.m	1,4	1,4	1,4	1,4	1,4	1,4	1,4	1,4	1,4	
Ģipša špaktele Nida Start	kg	0,9	0,9	-	-	0,9	-	-	1,2	-	
Ģipša špaktele Nida Finisz	kg	0,1	0,1	-	-	0,1	-	-	0,1	-	
Gatavā špaktele/masa Nida Hydromix ⁵⁾	kg	-	-	1,0	1,0	-	1,0	1,0	-	1,3	

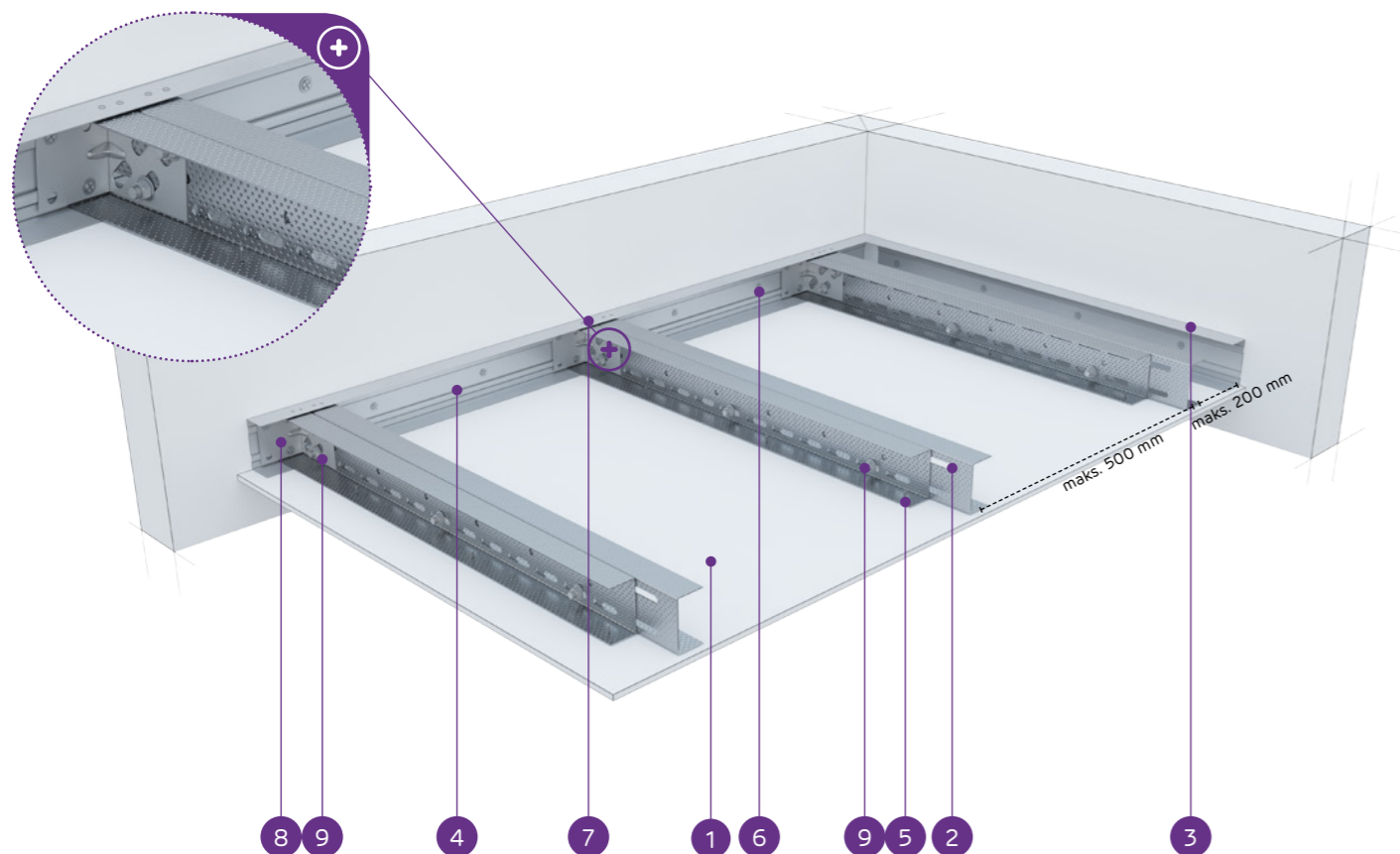
³⁾ Enkurošanas elementu tips un skaits jāizvēlas saskaņā ar shēmu, kas iekļauta ITB tehniskajā atzinumā Pašnesošie griesti: ITB 1060/12/R33NK.⁴⁾ Ieteicams izmantot 2 mm pašurbjošās skrūves.⁵⁾ Izmantojot ģipša šķiedru plāksnes Nida Cietā, kā alternatīvu varat izmantot arī Nida Planfix Fresh ģipša špakтели. Patēriņa standartos nav ņemti vērā materiālie zaudējumi.

nida Griesti

Ugunsizturības
klase:
(R)EI15
(R)EI30Maksimālais
apdares
platums:
7730 mmMinimālais
piekāršanas
augstums:
110 mmBūves svars
1m²:
19,0-26,0 kgSaistītā
dokumenta
numurs:
EN13964:2004+A1Eksploatacijas īpašību deklarācija:
DoP/Ceiling System/0063/15.11.2016

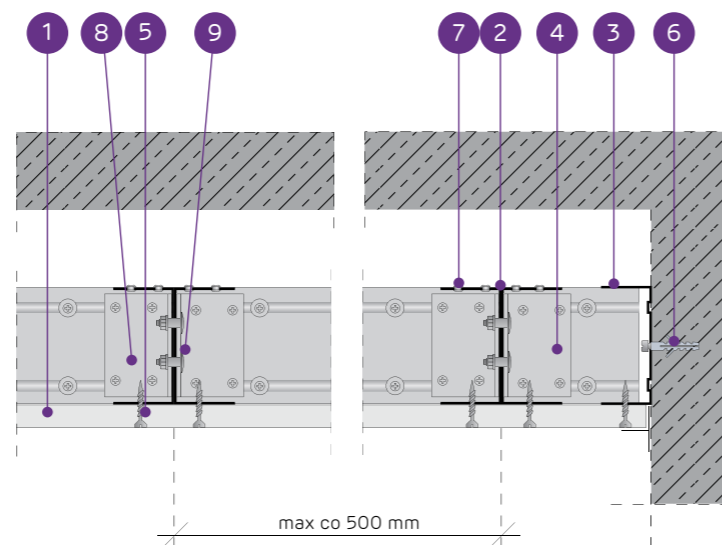
SISTĒMAS:

UARUAR100/U100/500-12,5; UARUAR100/U100/500-15; UARUAR100/U100/500-18



MATERIĀLI:

1. Ģipškartona plāksnes Nida
2. Dubultais nesošais profils Nida UAR 100
3. Konstrukcijas profils Nida U 100
4. Nesošais profils Nida U 100
5. Pašurbjošā skrūve Nida 3,5 x 25 mm
6. Tērauda enkurošanas elements ar Tērauda paplāksni
7. Kniede
8. Leņķis Nida UA profilam
9. Skrūve Nida M8



PAŠNESOŠO GRIESTU SISTĒMA AR DUBULTO NIDA UAR100 KONSTRUKCIJU

TEHNISKIE PARAMETRI

Sistēmas tips Nida Griesti	Režģa konstrukcija				Ģipša plākšņu apšuvums		Minimālais piekāršanas augstums	Būves svars 1 m ²	Ugunsizturības klase ¹⁾	Maksimālais griestu apdares platums ²⁾	Īpaša sis- tēma
	Nida nesošā profila tips	Nida nesošā peri- metra profila tips	Nida konstruk- cijas perimetra profila tips	Maksimālais Nida UAR100 nesošo profilu atstātums [mm]	Nida	Biezums					
UARUAR100/U100/500-12,5/Expert	2xUAR100	U100	U100	500	Expert	12,5	122,5	19,0	-	7730	-
UARUAR100/U100/500-12,5/Ūdens ³⁾	2xUAR100	U100	U100	500	Ūdens	12,5	122,5	20,0	-	7730	-
UARUAR100/U100/500-12,5/Uguns+	2xUAR100	U100	U100	500	Uguns Plus	12,5	122,5	21,0	(R)EI15	6920	-
UARUAR100/U100/500-12,5/ŪdensUguns+	2xUAR100	U100	U100	500	Ūdens Uguns Plus	12,5	122,5	21,0	(R)EI15	6920	-
UARUAR100/U100/500-12,5/Cietā	2xUAR100	U100	U100	500	Cietā	12,5	122,5	24,0	(R)EI15	6920	●
UARUAR100/U100/500-12,5/Hydro	2xUAR100	U100	U100	500	Hydro	12,5	122,5	22,0	(R)EI15	6920	●
UARUAR100/U100/500-15/Uguns+	2xUAR100	U100	U100	500	Uguns Plus	15,0	125	24,0	(R)EI15	6920	-
UARUAR100/U100/500-15/Cietā	2xUAR100	U100	U100	500	Cietā	15,0	125	26,0	(R)EI15	6310	●
UARUAR100/U100/500-15/Hydro	2xUAR100	U100	U100	500	Hydro	15,0	125	24,0	(R)EI15	6920	●
UARUAR100/U100/500-18/Uguns+	2xUAR100	U100	U100	500	Uguns Plus	18,0	128	25,0	(R)EI30	6920	-

¹⁾ Ugunsdrošības klasifikācija LBO-458-K/17.²⁾ Tehniskais atzinums ITB 1060/12/R33NK.³⁾ Telpās ar relatīvo gaisa mitrumu līdz 85 % stūra sekcijās pret intensīvu ūdens iedarbību ieteicams izmantot Nida Hydro ģipša šķiedru plāksnes (horizontālām un vertikālām virsmām vannas, dušas utt. zonās).MATERIĀLU PATĒRIŅŠ UZ 1 M² GRIESTU APBŪVES NIDA GRIESTI SISTĒMĀ

Materiāla nosaukums	Mērv.	Sistēmas tips Nida Griesti									
		UARUAR100/ U100/500- 12,5/Expert	UARUAR100/ U100/500- 12,5/Ūdens	UARUAR100/ U100/500- 12,5/Uguns+	UARUAR100/ U100/500- 12,5/ŪdensUguns+	UARUAR100/ U100/500- 12,5/Cietā	UARUAR100/ U100/500- 12,5/Hydro	UARUAR100/ U100/500-15/ Uguns+	UARUAR100/ U100/500-15/ Cietā	UARUAR100/ U100/500-15/ Hydro	UARUAR100/ U100/500-18/ Uguns+
Materiāla patēriņš uz 1 m ²											
Plāksne Nida Expert 12,5 mm	m ²	1,0	-	-	-	-	-	-	-	-	-
Plāksne Nida Ūdens 12,5 mm	m ²	-	1,0	-	-	-	-	-	-	-	-
Plāksne Nida Uguns Plus 12,5 mm	m ²	-	-	1,0	-	-	-	-	-	-	-
Plāksne Nida Ūdens Uguns Plus 12,5 mm	m ²	-	-	-	1,0	-	-	-	-	-	-
Plāksne Nida Cietā 12,5 mm	m ²	-	-	-	-	1,0	-	-	-	-	-
Plāksne Nida Hydro 12,5 mm	m ²	-	-	-	-	-	1,0	-	-	-	-
Plāksne Nida Uguns Plus 15,0 mm	m ²	-	-	-	-	-	-	1,0	-	-	-
Plāksne Nida Cietā 15,0 mm	m ²	-	-	-	-	-	-	-	1,0	-	-
Plāksne Nida Hydro 15,0 mm	m ²	-	-	-	-	-	-	-	-	1,0	-
Plāksne Nida Uguns Plus 18,0 mm	m ²	-	-	-	-	-	-	-	-	-	1,0
Profils Nida UAR100	tek.m	4,4	4,4	4,4	4,4	4,4	4,4	4,4	4,4	4,4	4,4
Profils Nida U100	tek.m	0,75	0,75	0,75	0,75	0,75	0,75	0,75	0,75	0,75	0,75
Leņķis Nida UAR100 profilam	gab.	3,0	3,0	3,0	3,0	3,0	3,0	3,0	3,0	3,0	3,0
Skrūve Nida M8	gab.	11,3	11,3	11,3	11,3	11,3	11,3	11,3	11,3	11,3	11,3
Kniedes	gab.	5,6	5,6	5,6	5,6	5,6	5,6	5,6	5,6	5,6	5,6
Tērauda enkurošanas elements (tips atbilstoši būves svaram) ⁴⁾	gab.	12,6	12,6	12,6	12,6	12,6	12,6	12,6	12,6	12,6	12,6
Pašurbjošās skrūves Nida 3,5x25 mm ⁵⁾	gab.	18,0	18,0	18,0	18,0	-	-	18,0	-	-	-
Pašurbjošās skrūves Nida 3,5x35 mm ⁵⁾	gab.	-	-	-	-	-	-	-	-	-	18,0
Pašurbjošās skrūves Nida Cietā 35 (3,9x35 mm) ⁵⁾	gab.	-	-	-	-	18,0	-	-	18,0	-	-
Pašurbjošās skrūves Nida Hydro C4 3,5x25 mm ⁵⁾	gab.	-	-	-	-	-	18,0	-	-	18,0	-
Līmlente šuvēm Nida	tek.m	1,4	1,4	1,4	1,4	1,4	1,4	1,4	1,4	1,4	1,4
Ģipša špaktele Nida Start	kg	0,3	0,3	0,3	0,3	-	-	0,3	-	-	0,3
Ģipša špaktele Nida Finisz	kg	0,1	0,1	0,1	0,1	-	-	0,1	-	-	0,1
Gatavā špaktelmasa Nida Hydromix ⁶⁾	kg	-	-	-	-	0,4	0,4	-	0,4	0,4	-

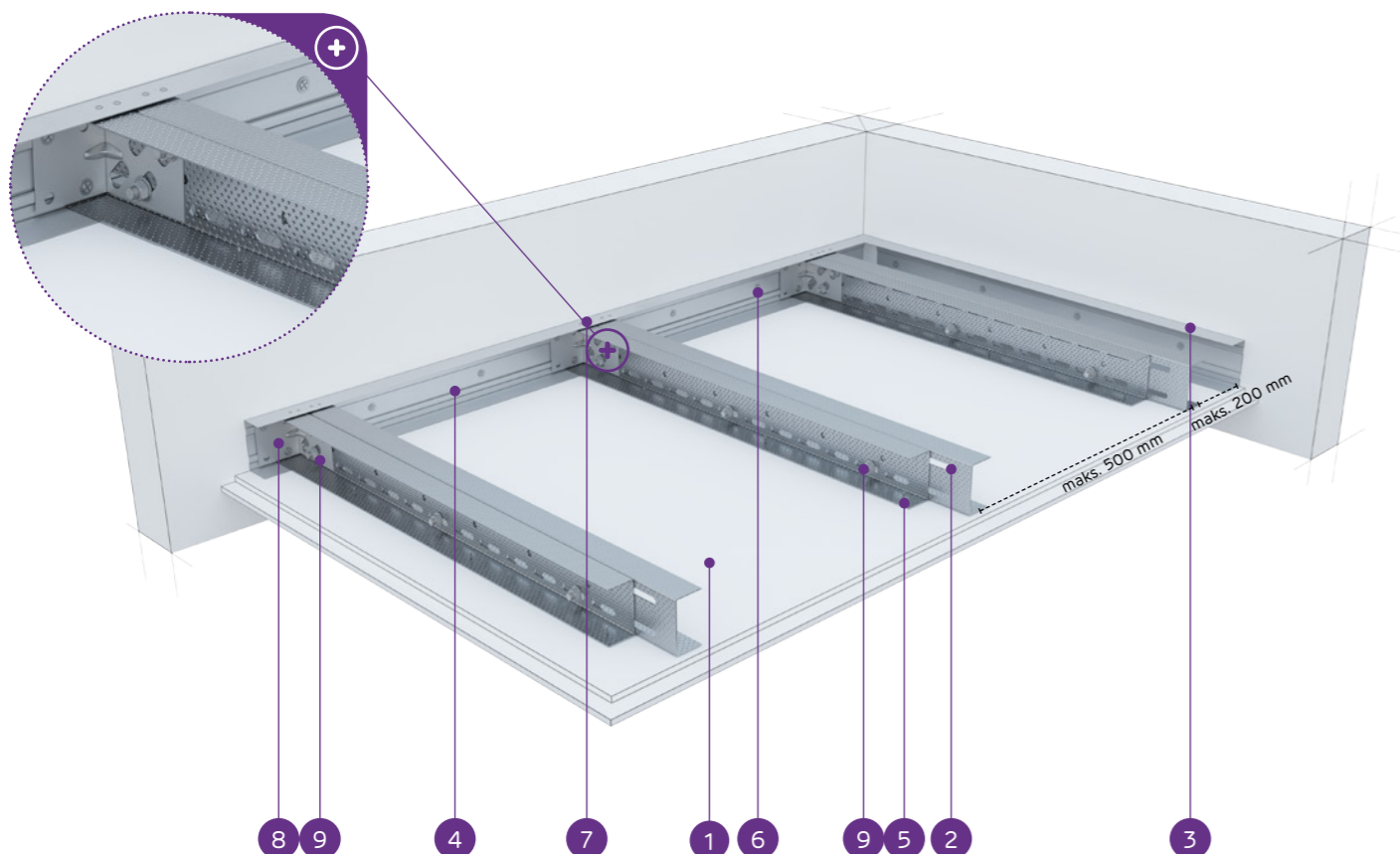
⁴⁾ Enkurošanas elementu tips un skaits jāizvēlas saskaņā ar shēmu, kas iekļauta ITB tehniskajā atzinumā Pašnesošie griesti: ITB 1060/12/R33NK.⁵⁾ Ieteicams izmantot 2 mm pašurbjošās skrūves.⁶⁾ Izmantojot ģipša šķiedru plāksnes Nida Cietā, kā alternatīvu varat izmantot arī Nida Planfix Fresh ģipša špakтели. Patēriņa standartos nav ņemti vērā materiālie zaudējumi.

nida Griesti

Ugunsizturības
klase:
(R)EI45
(R)EI60Maksimālais
apdares
platums:
6350 mmMinimālais
piekāršanas
augstums:
110 mmBūves svars
1m²:
27,0-42,0 kgSaisītā
dokumenta
numurs:
EN13964:2004+A1Eksploatacijas īpašību deklarācija:
DoP/Ceiling System/0063/15.11.2016

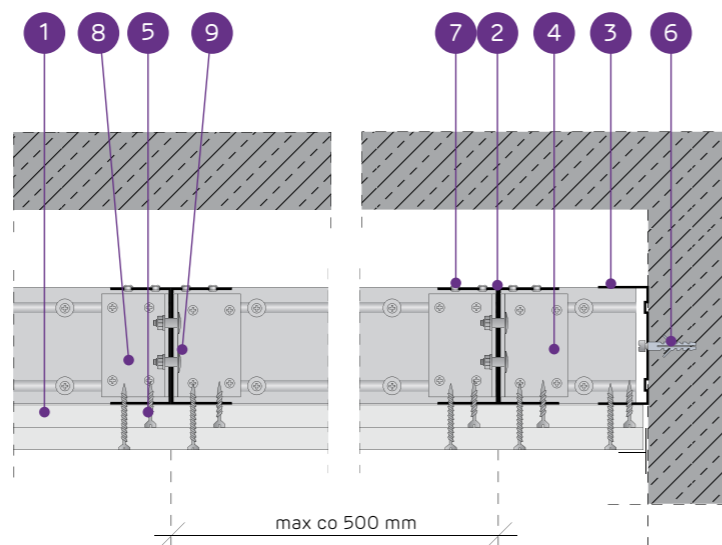
SISTĒMAS:

UARUAR100/U100/500-25; UARUAR100/U100/500-30



MATERIĀLI:

- Ģipškartona plāksnes Nida
- Dubultais nesošais profils Nida UAR 100
- Konstrukcijas profils Nida U 100
- Nesošais profils Nida U 100
- Pašurbjošā skrūve Nida 3,5 x 25 mm
- Tērauda enkurošanas elements ar Tērauda paplāksni
- Kniede
- Leņķis Nida UA profilam
- Skrūve Nida M8



PAŠNESOŠO GRIESTU SISTĒMA AR DUBULTO NIDA UAR100 KONSTRUKCIJU

TEHNISKIE PARAMETRI

Sistēmas tips Nida Griesti	Režģa konstrukcija				Ģipša plākšņu apšuvums	Minimālais piekāršanas augstums	Būves svars 1 m ²	Ugunsizturības klase ¹⁾	Maksimālais griestu apdares platums ²⁾	Īpaša sistē- ma	
	Nida nesošā profila tips	Nida nesošā perimetra profila tips	Nida konstruk- cijas perimetra profila tips	Maksimālais Nida UAR100 nesošo profilu atstatums							[mm]
UARUAR100/U100/500-25/Expert	2xUAR100	U100	U100	500	Expert	2x12,5	135	27,0	-	6350	-
UARUAR100/U100/500-25/Ūdens ³⁾	2xUAR100	U100	U100	500	Ūdens	2x12,5	135	29,0	-	6350	-
UARUAR100/U100/500-25/Uguns+	2xUAR100	U100	U100	500	Uguns Pluss	2x12,5	135	31,0	(R)EI45	5880	-
UARUAR100/U100/500-25/ŪdensUguns+	2xUAR100	U100	U100	500	Ūdens Uguns Pluss	2x12,5	135	31,0	(R)EI45	5880	-
UARUAR100/U100/500-25/Cietā	2xUAR100	U100	U100	500	Cietā	2x12,5	135	37,0	(R)EI45	5500	●
UARUAR100/U100/500-25/Hydro	2xUAR100	U100	U100	500	Hydro	2x12,5	135	33,0	(R)EI45	5880	●
UARUAR100/U100/500-30/Uguns+	2xUAR100	U100	U100	500	Uguns Pluss	2x15,0	140	38,0	(R)EI60	5500	-
UARUAR100/U100/500-30/Cietā	2xUAR100	U100	U100	500	Cietā	2x15,0	140	42,0	(R)EI60	5180	●
UARUAR100/U100/500-30/Hydro	2xUAR100	U100	U100	500	Hydro	2x15,0	140	38,0	(R)EI60	5500	●

¹⁾ Ugunsdrošības klasifikācija LBO-458-K/17.²⁾ Tehniskais atzinums ITB 1060/12/R33NK.³⁾ Telpās ar relatīvo gaisa mitrumu līdz 85 % stūra sekcijās pret intensīvu ūdens iedarbību ieteicams izmantot Nida Hydro ģipša šķiedru plāksnes (horizontālām un vertikālām virsmām vannas, dušas utt. zonās).MATERIĀLU PATĒRIŅŠ UZ 1 M² GRIESTU APBŪVES NIDA GRIESTI SISTĒMĀ

Materiāla nosaukums	Mērv.	Sistēmas tips Nida Griesti									
		UARUAR100/ U100/500- 25/Expert	UARUAR100/ U100/500- 25/Ūdens	UARUAR100/ U100/500- 25/Uguns+	UARUAR100/ U100/500-25/ ŪdensUguns+	UARUAR100/ U100/500- 25/Cietā	UARUAR100/ U100/500- 25/Hydro	UARUAR100/ U100/500- 30/Uguns+	UARUAR100/ U100/500- 30/Cietā	UARUAR100/ U100/500- 30/Hydro	
		Materiāla patēriņš uz 1 m ²									
Plāksne Nida Expert 12,5 mm	m ²	2,0	-	-	-	-	-	-	-	-	
Plāksne Nida Ūdens 12,5 mm	m ²	-	2,0	-	-	-	-	-	-	-	
Plāksne Nida Uguns Pluss 12,5 mm	m ²	-	-	2,0	-	-	-	-	-	-	
Plāksne Nida Ūdens Uguns Pluss 12,5 mm	m ²	-	-	-	2,0	-	-	-	-	-	
Plāksne Nida Cietā 12,5 mm	m ²	-	-	-	-	2,0	-	-	-	-	
Plāksne Nida Hydro 12,5 mm	m ²	-	-	-	-	-	2,0	-	-	-	
Plāksne Nida Uguns Pluss 15,0 mm	m ²	-	-	-	-	-	-	2,0	-	-	
Plāksne Nida Cietā 15,0 mm	m ²	-	-	-	-	-	-	-	2,0	-	
Plāksne Nida Hydro 15,0 mm	m ²	-	-	-	-	-	-	-	-	2,0	
Profils Nida UAR100	tek.m	4,4	4,4	4,4	4,4	4,4	4,4	4,4	4,4	4,4	
Profils Nida U100	tek.m	0,75	0,75	0,75	0,75	0,75	0,75	0,75	0,75	0,75	
Leņķis Nida UAR100 profilam	gab.	3,0	3,0	3,0	3,0	3,0	3,0	3,0	3,0	3,0	
Skrūve Nida M8	gab.	11,3	11,3	11,3	11,3	11,3	11,3	11,3	11,3	11,3	
Kniedes	gab.	5,6	5,6	5,6	5,6	5,6	5,6	5,6	5,6	5,6	
Tērauda enkurošanas elements (tips atbilstoši būves svaram) ⁴⁾	gab.	12,6	12,6	12,6	12,6	12,6	12,6	12,6	12,6	12,6	
Pašurbjošās skrūves Nida 3,5x25 mm ⁵⁾	gab.	6,0	6,0	6,0	6,0	-	-	6,0	-	-	
Pašurbjošās skrūves Nida 3,5x35 mm ⁵⁾	gab.	18,0	18,0	18,0	18,0	-	-	-	-	-	
Pašurbjošās skrūves Nida 3,5x45 mm ⁵⁾	gab.	-	-	-	-	-	-	18,0	-	-	
Pašurbjošās skrūves Nida Cietā 35 (3,9x35 mm) ⁵⁾	gab.	-	-	-	-	24,0	-	-	6,0	-	
Pašurbjošās skrūves Nida Cietā 45 (3,9x45 mm) ⁵⁾	gab.	-	-	-	-	-	-	-	18,0	-	
Pašurbjošās skrūves Nida Hydro C4 3,5x25 mm ⁵⁾	gab.	-	-	-	-	-	6,0	-	-	6,0	
Pašurbjošās skrūves Nida Hydro C4 3,5x41 mm ⁵⁾	gab.	-	-	-	-	-	18,0	-	-	18,0	
Līmlente šuvēm Nida	tek.m	1,4	1,4	1,4	1,4	1,4	1,4	1,4	1,4	1,4	
Ģipša špaktele Nida Start	kg	0,6	0,6	0,6	0,6	-	-	0,6	-	-	
Ģipša špaktele Nida Finisz	kg	0,1	0,1	0,1	0,1	-	-	0,1	-	-	
Gatavā špaktele/masa Nida Hydromix ⁶⁾	kg	-	-	-	-	0,7	0,7	-	0,7	0,7	

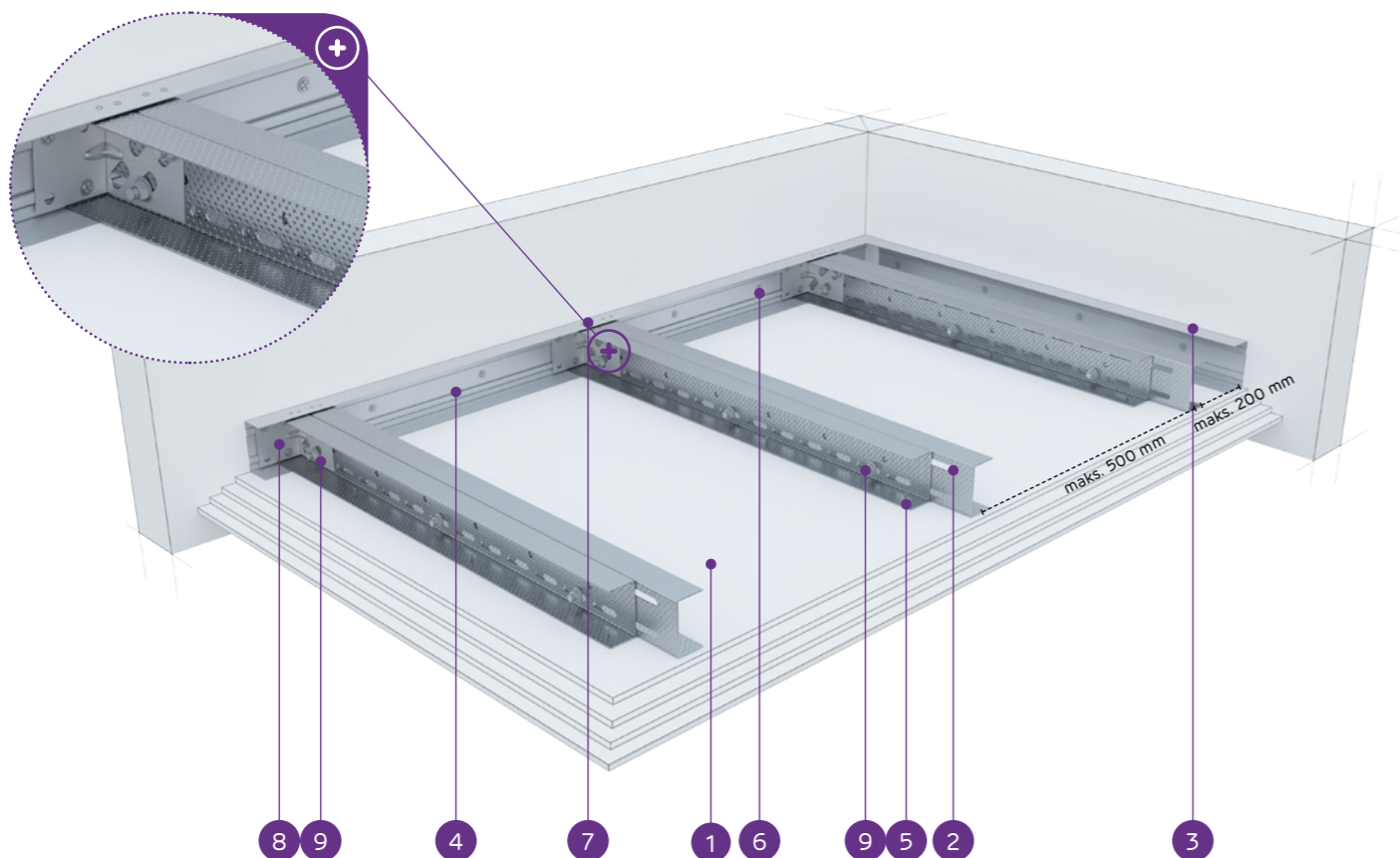
⁴⁾ Enkurošanas elementu tips un skaits jāizvēlas saskaņā ar shēmu, kas iekļauta ITB tehniskajā atzinumā Pašnesošie griesti: ITB 1060/12/R33NK.⁵⁾ Ieteicams izmantot 2 mm pašurbjošās skrūves.⁶⁾ Izmantojot ģipša šķiedru plāksnes Nida Cietā, kā alternatīvu varat izmantot arī Nida Planfix Fresh ģipša špakтели. Patēriņa standartos nav ņemti vērā materiālie zaudējumi.

nida Griesti

Ugunsizturības
klase:
(R)EI60
(R)EI90
(R)EI120Maksimālais
apdares
platums:
5180 mmMinimālais
piekāršanas
augstums:
110 mmBūves svars
1m²:
41,0-73,0 kgSaistītā
dokumenta
numurs:
EN13964:2004+A1Eksploatacijas īpašību deklarācija:
DoP/Ceiling System/0063/15.11.2016

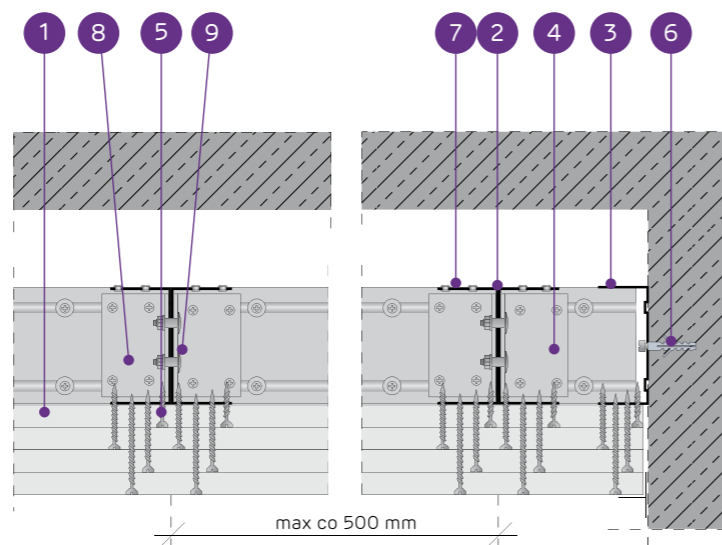
SISTĒMAS:

UARUAR100/U100/500-37,5; UARUAR100/U100/500-40; UARUAR100/U100/500-60



MATERIĀLI:

- Ģipškartona plāksnes Nida
- Dubultais nesošais profils Nida UAR 100
- Konstrukcijas profils Nida U 100
- Nesošais profils Nida U 100
- Pašurbjošā skrūve Nida 3,5 x 25 mm
- Tērauda enkurošanas elements ar Tērauda paplāksni
- Kniede
- Leņķis Nida UA profilam
- Skrūve Nida M8



PAŠNESOŠO GRIESTU SISTĒMA AR DUBULTO NIDA UAR100 KONSTRUKCIJU

TEHNISKIE PARAMETRI

Sistēmas tips Nida Griesti	Režģa konstrukcija				Ģipša plākšņu apšuvums	Minimālais piekāršanas augstums	Būves svars 1 m ²	Ugunsizturības klase ¹⁾	Maksimālais griestu apdares platums ²⁾	Ipaša sistē- ma		
	Nida nesošā profila tips	Nida nesošā peri- metra profila tips	Nida konstruk- cijas perimetra profila tips	Maksimālais Nida UAR100 nesošo profilu atstatums							Ģipša plākšņu apšuvums	
											Nida	Biezums
UARUAR100/U100/500-37,5/Uguns+	2xUAR100	U100	U100	500	Uguns Pluss	3x12,5	147,5	41,0	(R)EI60	5180	-	
UARUAR100/U100/500-37,5/ŪdensUguns+	2xUAR100	U100	U100	500	Ūdens Uguns Pluss	3x12,5	147,5	41,0	(R)EI60	5180	-	
UARUAR100/U100/500-37,5/Cietā	2xUAR100	U100	U100	500	Cietā	3x12,5	147,5	50,0	(R)EI60	4920	●	
UARUAR100/U100/500-37,5/Hydro	2xUAR100	U100	U100	500	Hydro	3x12,5	147,5	44,0	(R)EI60	5180	●	
UARUAR100/U100/500-40/Uguns+	2xUAR100	U100	U100	500	Uguns Pluss	2x12,5+15,0	150	45,0	(R)EI90	5180	-	
UARUAR100/U100/500-40/Cietā	2xUAR100	U100	U100	500	Cietā	2x12,5+15,0	150	52,0	(R)EI90	4690	●	
UARUAR100/U100/500-40/Hydro	2xUAR100	U100	U100	500	Hydro	2x12,5+15,0	150	47,0	(R)EI90	4920	●	
UARUAR100/U100/500-60/Uguns+	2xUAR100	U100	U100	500	Uguns Pluss	4x15,0	170	66,0	(R)EI120	4160	-	
UARUAR100/U100/500-60/Cietā	2xUAR100	U100	U100	500	Cietā	4x15,0	170	73,0	(R)EI120	4010	●	
UARUAR100/U100/500-60/Hydro	2xUAR100	U100	U100	500	Hydro	4x15,0	170	66,0	(R)EI120	4160	●	

¹⁾ Ugunsdrošības klasifikācija LBO-458-K/17.²⁾ Tehniskais atzinums ITB 1060/12/R33NK.MATERIĀLU PATĒRIŅŠ UZ 1 M² GRIESTU APBŪVES NIDA GRIESTU SISTĒMĀ

Materiāla nosaukums	Mērv.	Sistēmas tips Nida Griesti										
		UARUAR100/ U100/500- 37,5/Uguns+	UARUAR100/ U100/500- 37,5/ ŪdensUguns+	UARUAR100/ U100/500- 37,5/Cietā	UARUAR100/ U100/500- 37,5/Hydro	UARUAR100/ U100/500- 40/Uguns+	UARUAR100/ U100/500- 40/Cietā	UARUAR100/ U100/500- 40/Hydro	UARUAR100/ U100/500- 60/Uguns+	UARUAR100/ U100/500- 60/Cietā	UARUAR100/ U100/500- 60/Hydro	
Materiāla patēriņš uz 1 m ²												
Plāksne Nida Uguns Pluss 12,5 mm	m ²	3,0	-	-	-	2,0	-	-	-	-	-	-
Plāksne Nida Ūdens Uguns Pluss 12,5 mm	m ²	-	3,0	-	-	-	-	-	-	-	-	-
Plāksne Nida Cietā 12,5 mm	m ²	-	-	3,0	-	-	2,0	-	-	-	-	-
Plāksne Nida Hydro 12,5 mm	m ²	-	-	-	3,0	-	-	2,0	-	-	-	-
Plāksne Nida Uguns Pluss 15,0 mm	m ²	-	-	-	-	1,0	-	-	4,0	-	-	-
Plāksne Nida Cietā 15,0 mm	m ²	-	-	-	-	-	1,0	-	-	4,0	-	-
Plāksne Nida Hydro 15,0 mm	m ²	-	-	-	-	-	-	1,0	-	-	4,0	-
Profils Nida UAR100	tek.m	4,4	4,4	4,4	4,4	4,4	4,4	4,4	4,4	4,4	4,4	4,4
Profils Nida U100	tek.m	0,75	0,75	0,75	0,75	0,75	0,75	0,75	0,75	0,75	0,75	0,75
Leņķis Nida UAR100 profilam	gab.	3,0	3,0	3,0	3,0	3,0	3,0	3,0	3,0	3,0	3,0	3,0
Skrūve Nida M8	gab.	11,3	11,3	11,3	11,3	11,3	11,3	11,3	11,3	11,3	11,3	11,3
Kniedes	gab.	5,6	5,6	5,6	5,6	5,6	5,6	5,6	5,6	5,6	5,6	5,6
Tērauda enkurošanas elements (tips atbilstoši būves svaram) ³⁾	gab.	12,6	12,6	12,6	12,6	12,6	12,6	12,6	12,6	12,6	12,6	12,6
Pašurbjošās skrūves Nida 3,5x25 mm ⁴⁾	gab.	6,0	6,0	-	-	6,0	-	-	6,0	-	-	-
Pašurbjošās skrūves Nida 3,5x35 mm ⁴⁾	gab.	6,0	6,0	-	-	6,0	-	-	-	-	-	-
Pašurbjošās skrūves Nida 3,5x45 mm ⁴⁾	gab.	-	-	-	-	-	-	-	6,0	-	-	-
Pašurbjošās skrūves Nida 3,5x55 mm ⁴⁾	gab.	18,0	18,0	-	-	18,0	-	-	6,0	-	-	-
Pašurbjošās skrūves Nida 4,2x70 mm ⁴⁾	gab.	-	-	-	-	-	-	-	18,0	-	-	-
Pašurbjošās skrūves Nida Cietā 35 (3,9x35 mm) ⁴⁾	gab.	-	-	12,0	-	-	-	-	12,0	-	-	6,0
Pašurbjošās skrūves Nida Cietā 45 (3,9x45 mm) ⁴⁾	gab.	-	-	-	-	-	-	-	-	-	-	6,0
Pašurbjošās skrūves Nida Cietā 55 (3,9x55 mm) ⁴⁾	gab.	-	-	18,0	-	-	-	-	18,0	-	-	6,0
Pašurbjošās skrūves Nida Cietā 70 (4,2x70 mm) ⁴⁾	gab.	-	-	-	-	-	-	-	-	-	-	18,0
Pašurbjošās skrūves Nida Hydro C4 3,5x25 mm ⁴⁾	gab.	-	-	-	6,0	-	-	-	6,0	-	-	6,0
Pašurbjošās skrūves Nida Hydro C4 3,5x41 mm ⁴⁾	gab.	-	-	-	6,0	-	-	-	6,0	-	-	6,0
Pašurbjošās skrūves Nida Hydro C4 3,5x55 mm ⁴⁾	gab.	-	-	-	18,0	-	-	-	18,0	-	-	6,0
Pašurbjošās skrūves Nida Hydro C4 4,2x70 mm ⁴⁾	gab.	-	-	-	-	-	-	-	-	-	-	18,0
Līmlente šuvēm Nida	tek.m	1,4	1,4	1,4	1,4	1,4	1,4	1,4	1,4	1,4	1,4	1,4
Ģipša špaktele Nida Start	kg	0,9	0,9	-	-	0,9	-	-	1,2	-	-	-
Ģipša špaktele Nida Finisz	kg	0,1	0,1	-	-	0,1	-	-	0,1	-	-	-
Gatavā špaktele/masa Nida Hydromix ⁵⁾	kg	-	-	1,0	1,0	-	1,0	1,0	-	1,3	1,3	-

³⁾ Enkurošanas elementu tips un skaits jāizvēlas saskaņā ar shēmu, kas iekļauta ITB tehniskajā atzinumā Pašnesošie griesti: ITB 1060/12/R33NK.⁴⁾ Ieteicams izmantot 2 mm pašurbjošās skrūves.⁵⁾ Izmantojot ģipša šķiedru plāksnes Nida Cietā, kā alternatīvu varat izmantot arī Nida Planfix Fresh ģipša špakteļi.

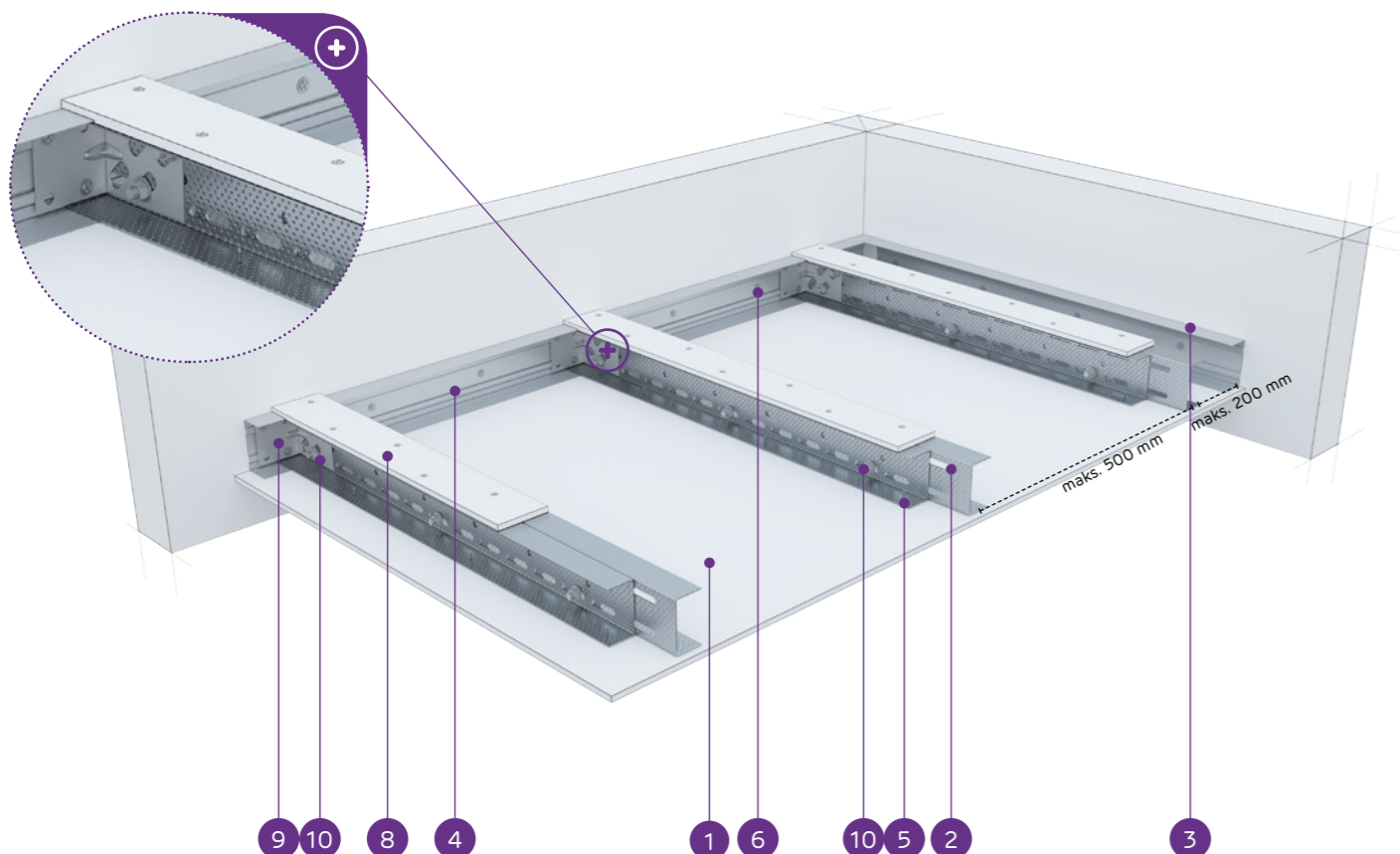
Patēriņa standartos nav ņemti vērā materiālie zaudējumi.



nida Griesti

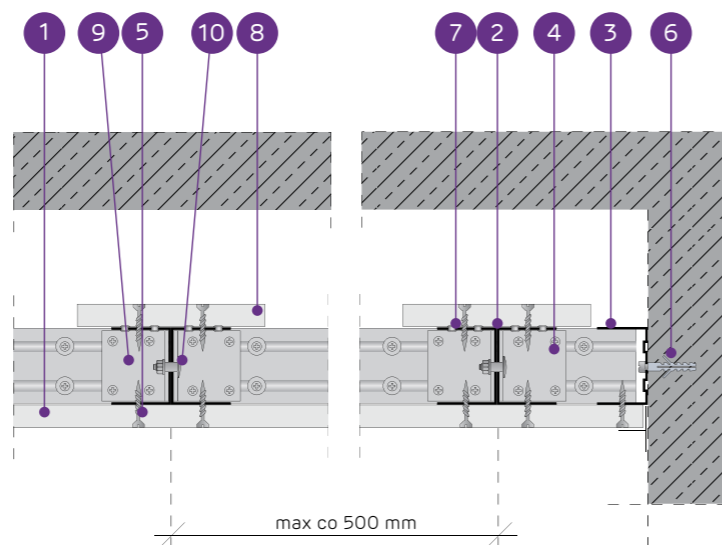
Ugunsizturības
klase:
(R)EI45
(R)EI60Maksimālais
apdares
platums:
6830 mmMinimālais
piekāršanas
augstums:
60 mmBūves svars
1m²:
18,0-28,0 kgSaisītā
dokumenta
numurs:
EN13964:2004+A1Eksploatacijas īpašību deklarācija:
DoP/Ceiling System/0060/15.11.2016

SISTĒMAS:

UARUAR50/U50/PD/500-12,5; UARUAR50/U50/PD/500-15;
UARUAR50/U50/PD/500-18

MATERIĀLI:

1. Ģipškartona plāksnes Nida
2. Dubultais nesošais profils Nida UAR 50
3. Konstruktīvais profils Nida U 50
4. Nesošais profils Nida U 50
5. Pašurbjošā skrūve Nida 3,5 x 25 mm
6. Tērauda enkurošanas elements ar Tērauda paplāksni
7. Kniede
8. Pastiprinošā josla no 12,5 mm Nida ģipškartona plāksnes
9. Leņķis Nida UA profilam
10. Skrūve Nida M8

PAŠNESOŠO GRIESTU SISTĒMA AR DUBULTO NIDA C50
KONSTRUKCIJU AR PASTIPRINOŠO JOSLU

TEHNISKIE PARAMETRI

Sistēmas tips Nida Griesti	Režģa konstrukcija				Ģipša plākšņu apšuvums		Minimālais piekāršanas augstums [mm]	Būves svars 1 m ² kg	Ugunsizturības klase ¹⁾ [min.]	Maksimālais griestu apdares platums ²⁾ [mm]	Ipašā sistē- ma
	Nida nesošā profila tips	Nida nesošā perimetra profila tips	Nida konstruk- cijas perimetra profila tips	Maksimālais Nida UAR50 nesošo profilu atstatums [mm]	Nida	Biezums					
UARUAR50/U50/PD/500-12,5/Expert	2xUAR50	U50	U50	500	Expert	12,5	72,5	18,0	-	6830	-
UARUAR50/U50/PD/500-12,5/Ūdens ³⁾	2xUAR50	U50	U50	500	Ūdens	12,5	72,5	19,0	-	6830	-
UARUAR50/U50/PD/500-12,5/Uguns+	2xUAR50	U50	U50	500	Uguns Pluss	12,5	72,5	21,0	(R)EI15	6110	-
UARUAR50/U50/PD/500-12,5/ŪdensUguns+	2xUAR50	U50	U50	500	ŪdensUguns Pluss	12,5	72,5	21,0	(R)EI15	6110	-
UARUAR50/U50/PD/500-12,5/Cietā	2xUAR50	U50	U50	500	Cietā	12,5	72,5	24,0	(R)EI15	6110	●
UARUAR50/U50/PD/500-12,5/Hydro	2xUAR50	U50	U50	500	Hydro	12,5	72,5	22,0	(R)EI15	6110	●
UARUAR50/U50/PD/500-15/Uguns+	2xUAR50	U50	U50	500	Uguns Pluss	15,0	75	25,0	(R)EI15	6110	-
UARUAR50/U50/PD/500-15/Cietā	2xUAR50	U50	U50	500	Cietā	15,0	75	28,0	(R)EI15	5580	●
UARUAR50/U50/PD/500-15/Hydro	2xUAR50	U50	U50	500	Hydro	15,0	75	25,0	(R)EI15	6110	●
UARUAR50/U50/PD/500-18/Uguns+	2xUAR50	U50	U50	500	Uguns Pluss	18,0	78	26,0	(R)EI30	5580	-

¹⁾ Ugunsdrošības klasifikācija LBO-458-K/17.²⁾ Tehniskais atzinums ITB 1060/12/R33NK.³⁾ Telpās ar relatīvo gaisa mitrumu līdz 85 % stūra sekcijās pret intensīvu ūdens iedarbību ieteicams izmantot Nida Hydro ģipša šķiedru plāksnes (horizontālām un vertikālām virsmām vannas, dušas utt. zonās).MATERIĀLU PATĒRIŅŠ UZ 1 M² GRIESTU APBŪVES NIDA GRIESTI SISTĒMĀ

Materiāla nosaukums	Mērv.	Sistēmas tips Nida Griesti										
		UARUAR50/ U50/ PD/500-12,5/ Expert	UARUAR50/ U50/ PD/500-12,5/ Ūdens	UARUAR50/ U50/ PD/500-12,5/ Uguns+	UARUAR50/ U50/ PD/500-12,5/ ŪdensUguns+	UARUAR50/ U50/ PD/500-12,5/ Cietā	UARUAR50/ U50/ PD/500-12,5/ Hydro	UARUAR50/ U50/ PD/500-15/ Uguns+	UARUAR50/ U50/ PD/500-15/ Cietā	UARUAR50/ U50/ PD/500-15/ Hydro	UARUAR50/ U50/ PD/500-18/ Uguns+	
Materiāla patēriņš uz 1 m ²												
Plāksne Nida Expert 12,5 mm	m ²	1,3	-	-	-	-	-	-	-	-	-	-
Plāksne Nida Ūdens 12,5 mm	m ²	-	1,3	-	-	-	-	-	-	-	-	-
Plāksne Nida Uguns Pluss 12,5 mm	m ²	-	-	1,3	-	-	-	-	-	-	-	-
Plāksne Nida Ūdens Uguns Pluss 12,5 mm	m ²	-	-	-	1,3	-	-	-	-	-	-	-
Plāksne Nida Cietā 12,5 mm	m ²	-	-	-	-	1,3	-	-	-	-	-	-
Plāksne Nida Hydro 12,5 mm	m ²	-	-	-	-	-	1,3	-	-	-	-	-
Plāksne Nida Uguns Pluss 15,0 mm	m ²	-	-	-	-	-	-	1,3	-	-	-	-
Plāksne Nida Cietā 15,0 mm	m ²	-	-	-	-	-	-	-	1,3	-	-	-
Plāksne Nida Hydro 15,0 mm	m ²	-	-	-	-	-	-	-	-	1,3	-	-
Plāksne Nida Uguns Pluss 18,0 mm	m ²	-	-	-	-	-	-	-	-	-	-	1,3
Profils Nida UAR50	tek.m	4,4	4,4	4,4	4,4	4,4	4,4	4,4	4,4	4,4	4,4	4,4
Profils Nida U50	tek.m	0,75	0,75	0,75	0,75	0,75	0,75	0,75	0,75	0,75	0,75	0,75
Leņķis Nida UAR50 profilam	gab.	3,0	3,0	3,0	3,0	3,0	3,0	3,0	3,0	3,0	3,0	3,0
Skrūve Nida M8	gab.	11,3	11,3	11,3	11,3	11,3	11,3	11,3	11,3	11,3	11,3	11,3
Kniedes	gab.	5,6	5,6	5,6	5,6	5,6	5,6	5,6	5,6	5,6	5,6	5,6
Tērauda enkurošanas elements (tips atbilstoši būves svaram) ⁴⁾	gab.	12,6	12,6	12,6	12,6	12,6	12,6	12,6	12,6	12,6	12,6	12,6
Pašurbjošās skrūves Nida 3,5x25 mm ⁵⁾	gab.	27,0	27,0	27,0	27,0	-	-	27,0	-	-	-	-
Pašurbjošās skrūves Nida 3,5x35 mm ⁵⁾	gab.	-	-	-	-	-	-	-	-	-	-	27,0
Pašurbjošās skrūves Nida Cietā 35 (3,9x35 mm) ⁵⁾	gab.	-	-	-	-	27,0	-	-	27,0	-	-	-
Pašurbjošās skrūves Nida Hydro C4 3,5x25 mm ⁵⁾	gab.	-	-	-	-	-	27,0	-	-	27,0	-	-
Līmīte šuvēm Nida	tek.m	1,4	1,4	1,4	1,4	1,4	1,4	1,4	1,4	1,4	1,4	1,4
Ģipša špaktele Nida Start	kg	0,3	0,3	0,3	0,3	-	-	0,3	-	-	-	0,3
Ģipša špaktele Nida Finisz	kg	0,1	0,1	0,1	0,1	-	-	0,1	-	-	-	0,1
Ģipša špaktelmasa Nida Hydromix ⁶⁾	kg	-	-	-	-	0,4	0,4	-	0,4	0,4	-	-

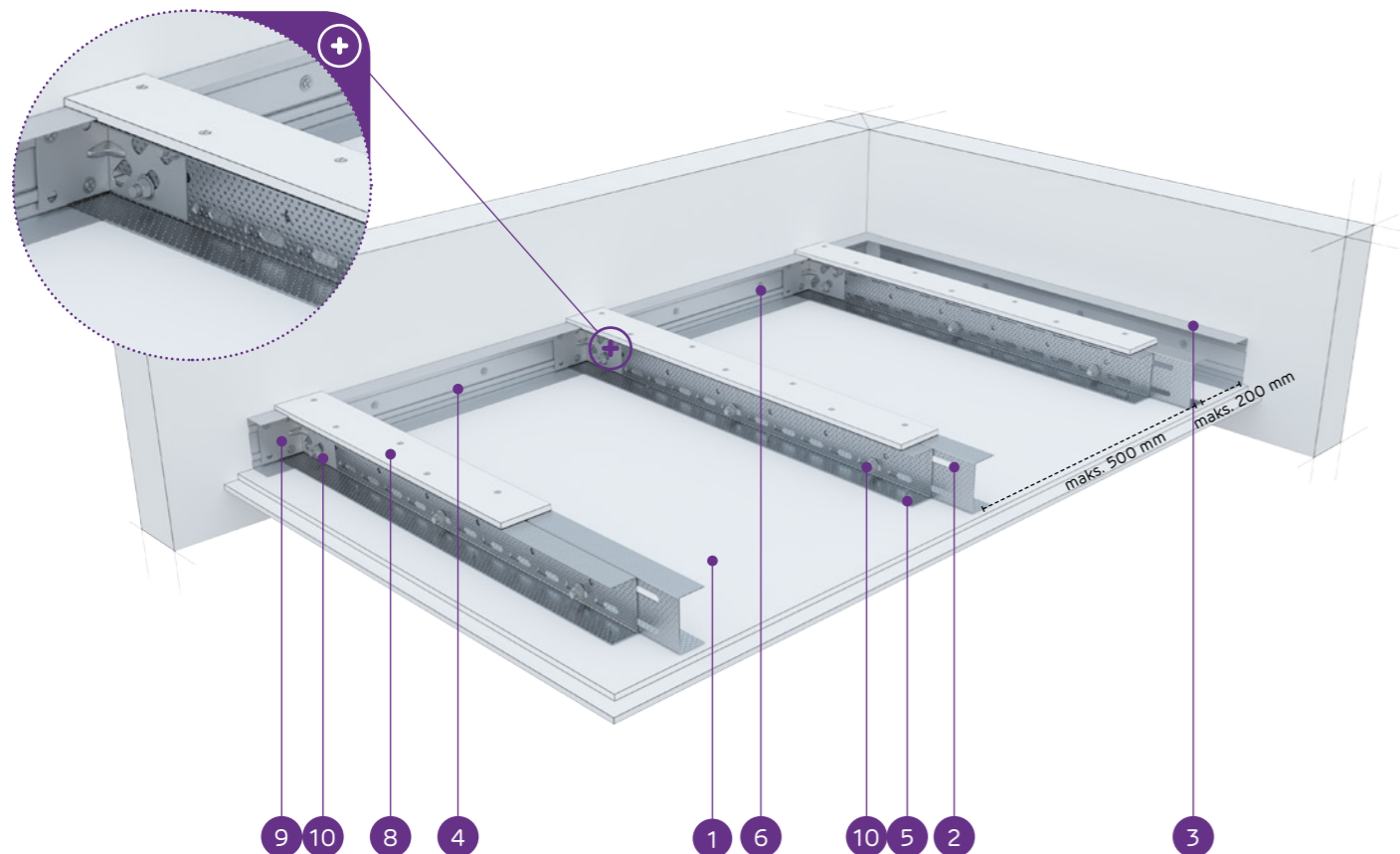
⁴⁾ Enkurošanas elementu tips un skaits jāizvēlas saskaņā ar shēmu, kas iekļauta ITB tehniskajā atzinumā Pašnesošie griesti: ITB 1060/12/R33NK.⁵⁾ Ieteicams izmantot 2 mm pašurbjošās skrūves.⁶⁾ Izmantojot ģipša šķiedru plāksnes Nida Cietā, kā alternatīvu varat izmantot arī Nida Planfix Fresh ģipša špakteļi. Patēriņa standartos nav ņemti vērā materiālie zaudējumi.

nida Griesti

Ugunsizturības
klase:
(R)EI45
(R)EI60Maksimālais
apdares
platums:
5870 mmMinimālais
piekāršanas
augstums:
60 mmBūves svars
1m²:
27,0-44,0 kgSaisītā
dokumenta
numurs:
EN13964:2004+A1Eksploatacijas īpašību deklarācija:
DoP/Ceiling System/0060/15.11.2016

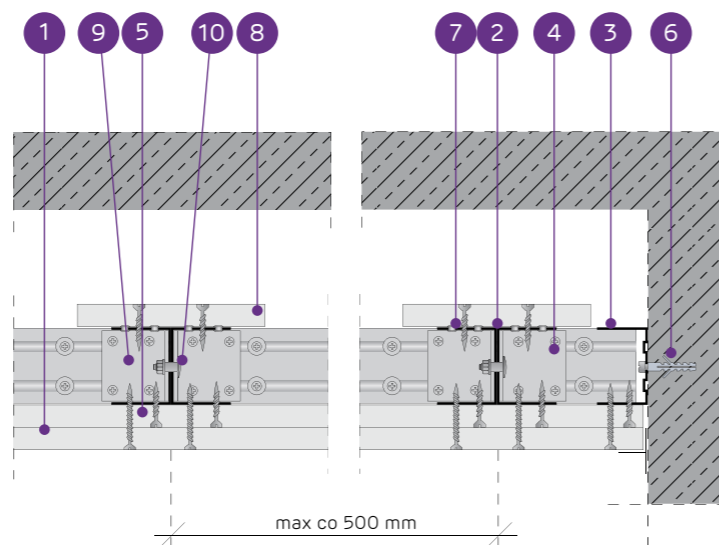
SISTĒMAS:

UARUAR50/U50/PD/500-25; UARUAR50/U50/PD/500-30



MATERIĀLI:

- Ģipškartona plāksnes Nida
- Dubultais nesošais profils Nida UAR 50
- Konstrukcijas profils Nida U 50
- Nesošais profils Nida U 50
- Pašurbjošā skrūve Nida 3,5 x 25 mm
- Tērauda enkurošanas elements ar Tērauda paplāksni
- Kniede
- Pastiprinošā josla no 12,5 mm Nida ģipškartona plāksnes
- Leņķis Nida UA profilam
- Skrūve Nida M8

PAŠNESOŠO GRIESTU SISTĒMA AR DUBULTO NIDA C50
KONSTRUKCIJU AR PASTIPRINOŠO JOSLU

TEHNISKIE PARAMETRI

Sistēmas tips Nida Griesti	Režģa konstrukcija				Ģipša plākšņu apšuvums	Minimālais piekāršanas augstums	Būves svars 1 m ²	Ugunsizturības klase ¹⁾	Maksimālais griestu apdares platums ²⁾	Īpašā sistē- ma	
	Nida nesošā profila tips	Nida nesošā perimetra profila tips	Nida konstruk- cijas perimetra profila tips	Maksimālais Nida UAR50 nesošo profilu atstatums [mm]							Nida
UARUAR50/U50/PD/500-25/Expert	2xUAR50	U50	U50	500	Expert	2x12,5	85	27,0	-	5870	-
UARUAR50/U50/PD/500-25/Ūdens ³⁾	2xUAR50	U50	U50	500	Ūdens	2x12,5	85	28,0	-	5870	-
UARUAR50/U50/PD/500-25/Uguns+	2xUAR50	U50	U50	500	Uguns Plus	2x12,5	85	31,0	(R)EI45	5430	-
UARUAR50/U50/PD/500-25/ŪdensUguns+	2xUAR50	U50	U50	500	Ūdens Uguns Plus	2x12,5	85	31,0	(R)EI45	5430	-
UARUAR50/U50/PD/500-25/Cietā	2xUAR50	U50	U50	500	Cietā	2x12,5	85	38,0	(R)EI45	5080	●
UARUAR50/U50/PD/500-25/Hydro	2xUAR50	U50	U50	500	Hydro	2x12,5	85	33,0	(R)EI45	5430	●
UARUAR50/U50/PD/500-30/Uguns+	2xUAR50	U50	U50	500	Uguns Plus	2x15,0	90	39,0	(R)EI60	5080	-
UARUAR50/U50/PD/500-30/Cietā	2xUAR50	U50	U50	500	Cietā	2x15,0	90	44,0	(R)EI60	4790	●
UARUAR50/U50/PD/500-30/Hydro	2xUAR50	U50	U50	500	Hydro	2x15,0	90	39,0	(R)EI60	5080	●

¹⁾ Ugunsdrošības klasifikācija LBO-458-K/17.²⁾ Tehniskais atzinums ITB 1060/12/R33NK.³⁾ Telpās ar relatīvo gaisa mitrumu līdz 85% stūra sekcijās pret intensīvu ūdens iedarbību ieteicams izmantot Nida Hydro ģipša šķiedru plāksnes (horizontālām un vertikālām virsmām vannas, dušas utt. zonās).MATERIĀLU PATĒRIŅŠ UZ 1 M² GRIESTU APBŪVES NIDA GRIESTI SISTĒMĀ

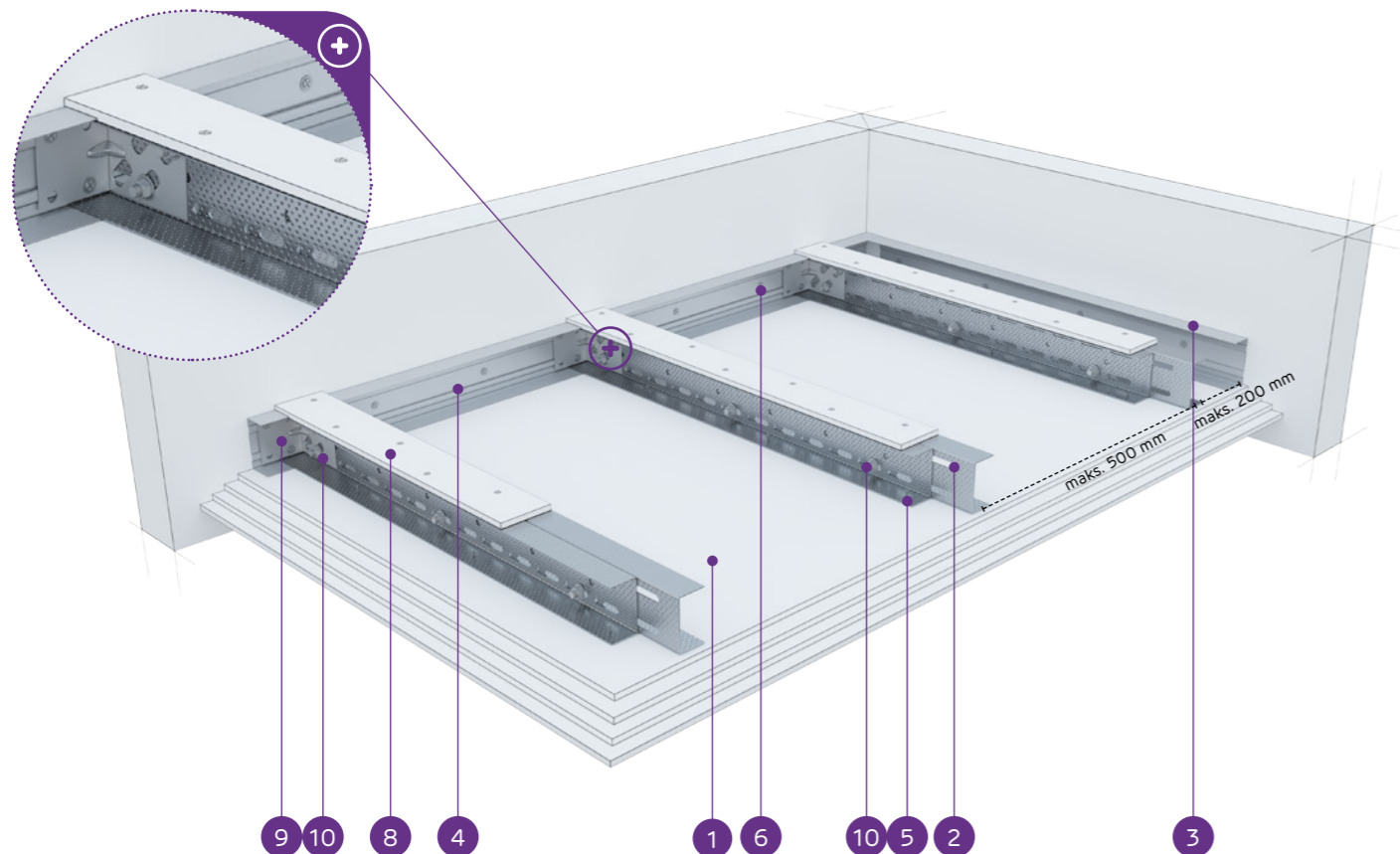
Materiāla nosaukums	Mērv.	Sistēmas tips Nida Griesti									
		UARUAR50/ U50/ PD/500-25/ Expert	UARUAR50/ U50/ PD/500-25/ Ūdens	UARUAR50/ U50/ PD/500-25/ Uguns+	UARUAR50/ U50/ PD/500-25/ ŪdensUguns+	UARUAR50/ U50/ PD/500-25/ Cietā	UARUAR50/ U50/ PD/500-25/ Hydro	UARUAR50/ U50/ PD/500-30/ Uguns+	UARUAR50/ U50/ PD/500-30/ Cietā	UARUAR50/ U50/ PD/500-30/ Hydro	
Materiāla patēriņš uz 1 m ²											
Plāksne Nida Expert 12,5 mm	m ²	2,3	-	-	-	-	-	-	-	-	-
Plāksne Nida Ūdens 12,5 mm	m ²	-	2,3	-	-	-	-	-	-	-	-
Plāksne Nida Uguns Plus 12,5 mm	m ²	-	-	2,3	-	-	-	-	-	-	-
Plāksne Nida Ūdens Uguns Plus 12,5 mm	m ²	-	-	-	2,3	-	-	-	-	-	-
Plāksne Nida Cietā 12,5 mm	m ²	-	-	-	-	2,3	-	-	-	-	-
Plāksne Nida Hydro 12,5 mm	m ²	-	-	-	-	-	2,3	-	-	-	-
Plāksne Nida Uguns Plus 15,0 mm	m ²	-	-	-	-	-	-	2,3	-	-	-
Plāksne Nida Cietā 15,0 mm	m ²	-	-	-	-	-	-	-	2,3	-	-
Plāksne Nida Hydro 15,0 mm	m ²	-	-	-	-	-	-	-	-	2,3	-
Profils Nida UAR50	tek.m	4,4	4,4	4,4	4,4	4,4	4,4	4,4	4,4	4,4	4,4
Profils Nida U50	tek.m	0,75	0,75	0,75	0,75	0,75	0,75	0,75	0,75	0,75	0,75
Leņķis Nida UAR50 profilam	gab.	3,0	3,0	3,0	3,0	3,0	3,0	3,0	3,0	3,0	3,0
Skrūve Nida M8	gab.	11,3	11,3	11,3	11,3	11,3	11,3	11,3	11,3	11,3	11,3
Kniedes	gab.	5,6	5,6	5,6	5,6	5,6	5,6	5,6	5,6	5,6	5,6
Tērauda enkurošanas elements (tips atbilstoši būves svaram) ⁴⁾	gab.	12,6	12,6	12,6	12,6	12,6	12,6	12,6	12,6	12,6	12,6
Pašurbjošās skrūves Nida 3,5x25 mm ⁵⁾	gab.	15,0	15,0	15,0	15,0	-	-	15,0	-	-	-
Pašurbjošās skrūves Nida 3,5x35 mm ⁵⁾	gab.	18,0	18,0	18,0	18,0	-	-	-	-	-	-
Pašurbjošās skrūves Nida 3,5x45 mm ⁵⁾	gab.	-	-	-	-	-	-	18,0	-	-	-
Pašurbjošās skrūves Nida Cietā 35 (3,9x35 mm) ⁵⁾	gab.	-	-	-	-	33,0	-	-	15,0	-	-
Pašurbjošās skrūves Nida Cietā 45 (3,9x45 mm) ⁵⁾	gab.	-	-	-	-	-	-	-	18,0	-	-
Pašurbjošās skrūves Nida Hydro C4 3,5x25 mm ⁵⁾	gab.	-	-	-	-	-	15,0	-	-	-	15,0
Pašurbjošās skrūves Nida Hydro C4 3,5x41 mm ⁵⁾	gab.	-	-	-	-	-	18,0	-	-	-	18,0
Līm lente šuvēm Nida	tek.m	1,4	1,4	1,4	1,4	1,4	1,4	1,4	1,4	1,4	1,4
Ģipša špaktele Nida Start	kg	0,6	0,6	0,6	0,6	-	-	0,6	-	-	-
Ģipša špaktele Nida Finisz	kg	0,1	0,1	0,1	0,1	-	-	0,1	-	-	-
Gatavā špaktele/masa Nida Hydromix ⁶⁾	kg	-	-	-	-	0,7	0,7	-	0,7	-	0,7

⁴⁾ Enkurošanas elementu tips un skaits jāizvēlas saskaņā ar shēmu, kas iekļauta ITB tehniskajā atzinumā Pašnesošie griesti: ITB 1060/12/R33NK.⁵⁾ Ieteicams izmantot 2 mm pašurbjošās skrūves.⁶⁾ Izmantojot ģipša šķiedru plāksnes Nida Cietā, kā alternatīvu varat izmantot arī Nida Planfix Fresh ģipša špakteļi. Patēriņa standartos nav ņemti vērā materiālie zaudējumi.

nida Griesti

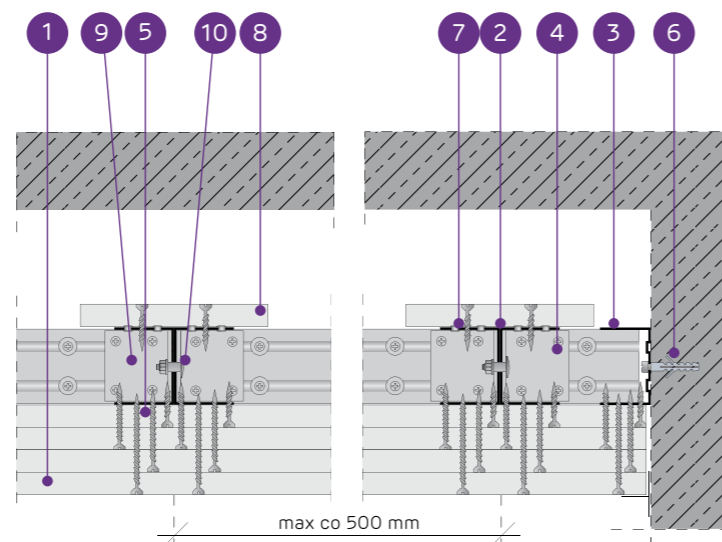
Ugunsizturības
klase:
(R)EI60
(R)EI90
(R)EI120Maksimālais
apdares
platums:
4790 mmMinimālais
piekāršanas
augstums:
60 mmBūves svars
1m²:
41,0-75,0 kgSaistītā
dokumenta
numurs:
EN13964:2004+A1Eksploatacijas īpašību deklarācija:
DoP/Ceiling System/0060/15.11.2016

SISTĒMAS:

UARUAR50/U50/PD/500-37,5; UARUAR50/U50/PD/500-40;
UARUAR50/U50/PD/500-60

MATERIĀLI:

- Dubultais nesošais profils Nida UAR 50
- Konstrukcijas profils Nida U 50
- Nesošais profils Nida U 50
- Pašurbjošā skrūve Nida 3,5 x 25 mm
- Tērauda enkurošanas elements ar Tērauda paplāksni
- Kniede
- Pastiprinošā josla no 12,5 mm Nida ģipškartona plāksnes
- Leņķis Nida UA profilam
- Skrūve Nida M8

PAŠNESOŠO GRIESTU SISTĒMA AR DUBULTO NIDA C50
KONSTRUKCIJU AR PASTIPRINOŠO JOSLU

TEHNISKIE PARAMETRI

Sistēmas tips Nida Griesti	Režģa konstrukcija				Ģipša plāksņu apšuvums	Minimālais piekāršanas augstums	Būves svars 1 m ²	Ugunsizturības klase ¹⁾	Maksimālais griestu apdares platums ²⁾	Īpašā sis- tēma	
	Nida nesošā profila tips	Nida nesošā perimetra profila tips	Nida konstruk- cijas perimetra profila tips	Maksimālais Nida UAR50 nesošo profilu atstatums							[mm]
UARUAR50/U50/PD/500-37,5/Uguns+	2xUAR50	U50	U50	500	Uguns Plus	3x12,5	97,5	41,0	(R)EI60	4790	-
UARUAR50/U50/PD/500-37,5/ŪdensUguns+	2xUAR50	U50	U50	500	Ūdens Uguns Plus	3x12,5	97,5	41,0	(R)EI60	4790	-
UARUAR50/U50/PD/500-37,5/Cietā	2xUAR50	U50	U50	500	Cietā	3x12,5	97,5	51,0	(R)EI60	4330	●
UARUAR50/U50/PD/500-37,5/Hydro	2xUAR50	U50	U50	500	Hydro	3x12,5	97,5	44,0	(R)EI60	4790	●
UARUAR50/U50/PD/500-40/Uguns+	2xUAR50	U50	U50	500	Uguns Plus	2x12,5+15,0	100	45,0	(R)EI90	4790	-
UARUAR50/U50/PD/500-40/Cietā	2xUAR50	U50	U50	500	Cietā	2x12,5+15,0	100	53,0	(R)EI90	4330	●
UARUAR50/U50/PD/500-40/Hydro	2xUAR50	U50	U50	500	Hydro	2x12,5+15,0	100	47,0	(R)EI90	4550	●
UARUAR50/U50/PD/500-60/Uguns+	2xUAR50	U50	U50	500	Uguns Plus	4x15,0	120	67,0	(R)EI120	3840	-
UARUAR50/U50/PD/500-60/Cietā	2xUAR50	U50	U50	500	Cietā	4x15,0	120	75,0	(R)EI120	3710	●
UARUAR50/U50/PD/500-60/Hydro	2xUAR50	U50	U50	500	Hydro	4x15,0	120	67,0	(R)EI120	3840	●

¹⁾ Ugunsdrošības klasifikācija LBO-458-K/17.²⁾ Tehniskais atzinums ITB 1060/12/R33NK.MATERIĀLU PATĒRIŅŠ UZ 1 M² GRIESTU APBŪVES NIDA GRIESTI SISTĒMĀ

Materiāla nosaukums	Mērv.	Sistēmas tips Nida Griesti										
		UARUAR50/ U50/ PD/500-37,5/ Uguns+	UARUAR50/ U50/ PD/500-37,5/ ŪdensUguns+	UARUAR50/ U50/ PD/500-37,5/ Cietā	UARUAR50/ U50/ PD/500-37,5/ Hydro	UARUAR50/ U50/ PD/500-40/ Uguns+	UARUAR50/ U50/ PD/500-40/ Cietā	UARUAR50/ U50/ PD/500-40/ Hydro	UARUAR50/ U50/ PD/500-60/ Uguns+	UARUAR50/ U50/ PD/500-60/ Cietā	UARUAR50/ U50/ PD/500-60/ Hydro	
		Materiāla patēriņš uz 1 m ²										
Plāksne Nida Uguns Plus 12,5 mm	m ²	3,3	-	-	-	2,3	-	-	-	-	-	
Plāksne Nida Ūdens Uguns Plus 12,5 mm	m ²	-	3,3	-	-	-	-	-	-	-	-	
Plāksne Nida Cietā 12,5 mm	m ²	-	-	3,3	-	-	2,3	-	-	-	-	
Plāksne Nida Hydro 12,5 mm	m ²	-	-	-	3,3	-	-	2,3	-	-	-	
Plāksne Nida Uguns Plus 15,0 mm	m ²	-	-	-	-	1,0	-	-	4,3	-	-	
Plāksne Nida Cietā 15,0 mm	m ²	-	-	-	-	-	1,0	-	-	4,3	-	
Plāksne Nida Hydro 15,0 mm	m ²	-	-	-	-	-	-	1,0	-	-	4,3	
Profils Nida C50	tek.m	4,4	4,4	4,4	4,4	4,4	4,4	4,4	4,4	4,4	4,4	
Profils Nida U50	tek.m	0,75	0,75	0,75	0,75	0,75	0,75	0,75	0,75	0,75	0,75	
Leņķis Nida UAR50 profilam	gab.	3,0	3,0	3,0	3,0	3,0	3,0	3,0	3,0	3,0	3,0	
Skrūve Nida M8	gab.	11,3	11,3	11,3	11,3	11,3	11,3	11,3	11,3	11,3	11,3	
Kniedes	gab.	5,6	5,6	5,6	5,6	5,6	5,6	5,6	5,6	5,6	5,6	
Tērauda enkurošanas elements (tips atbilstoši būves svaram) ³⁾	gab.	12,6	12,6	12,6	12,6	12,6	12,6	12,6	12,6	12,6	12,6	
Pašurbjošās skrūves Nida 3,5x25 mm ⁴⁾	gab.	15,0	15,0	-	-	15,0	-	-	15,0	-	-	
Pašurbjošās skrūves Nida 3,5x35 mm ⁴⁾	gab.	6,0	6,0	-	-	6,0	-	-	-	-	-	
Pašurbjošās skrūves Nida 3,5x45 mm ⁴⁾	gab.	-	-	-	-	-	-	-	6,0	-	-	
Pašurbjošās skrūves Nida 3,5x55 mm ⁴⁾	gab.	18,0	18,0	-	-	18,0	-	-	6,0	-	-	
Pašurbjošās skrūves Nida 4,2x70 mm ⁴⁾	gab.	-	-	-	-	-	-	-	18,0	-	-	
Pašurbjošās skrūves Nida Cietā 35 (3,9x35 mm) ⁴⁾	gab.	-	-	21,0	-	-	-	21,0	-	15,0	-	
Pašurbjošās skrūves Nida Cietā 45 (3,9x45 mm) ⁴⁾	gab.	-	-	-	-	-	-	-	-	6,0	-	
Pašurbjošās skrūves Nida Cietā 55 (3,9x55 mm) ⁴⁾	gab.	-	-	18,0	-	-	-	18,0	-	6,0	-	
Pašurbjošās skrūves Nida Cietā 70 (4,2x70 mm) ⁴⁾	gab.	-	-	-	-	-	-	-	-	18,0	-	
Pašurbjošās skrūves Nida Hydro C4 3,5x25 mm ⁴⁾	gab.	-	-	-	15,0	-	-	15,0	-	-	15,0	
Pašurbjošās skrūves Nida Hydro C4 3,5x41 mm ⁴⁾	gab.	-	-	-	6,0	-	-	6,0	-	-	6,0	
Pašurbjošās skrūves Nida Hydro C4 3,5x55 mm ⁴⁾	gab.	-	-	-	18,0	-	-	18,0	-	-	6,0	
Pašurbjošās skrūves Nida Hydro C4 4,2x70 mm ⁴⁾	gab.	-	-	-	-	-	-	-	-	-	18,0	
Limlente šuvēm Nida	tek.m	1,4	1,4	1,4	1,4	1,4	1,4	1,4	1,4	1,4	1,4	
Ģipša špaktele Nida Start	kg	0,9	0,9	-	-	0,9	-	-	1,2	-	-	
Ģipša špaktele Nida Finisz	kg	0,1	0,1	-	-	0,1	-	-	0,1	-	-	
Gatavā špaktelmasa Nida Hydromix ⁵⁾	kg	-	-	1,0	1,0	-	1,0	1,0	-	1,3	1,3	

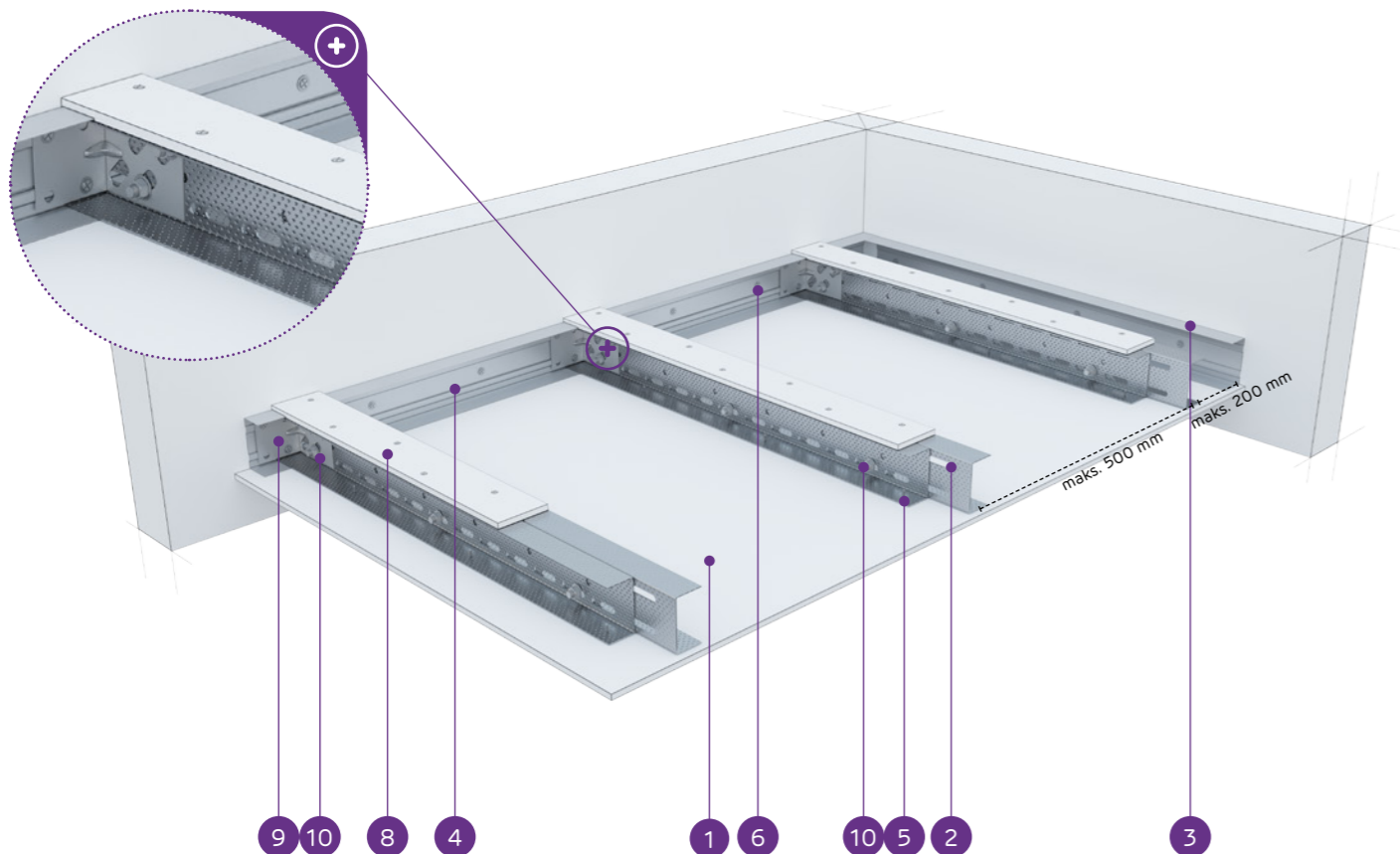
³⁾ Enkurošanas elementu tips un skaits jāizvēlas saskaņā ar shēmu, kas iekļauta ITB tehniskajā atzinumā Pašnesošie griesti: ITB 1060/12/R33NK.⁴⁾ Ieteicams izmantot 2 mm pašurbjošās skrūves.⁵⁾ Izmantojot ģipša šķiedru plāksnes Nida Cietā, kā alternatīvu varat izmantot arī Nida Planfix Fresh ģipša špakтели. Patēriņa standartos nav ņemti vērā materiālie zaudējumi.

nida Griesti

Ugunsizturības
klase:
(R)EI15
(R)EI30Maksimālais
apdares
platums:
7040 mmMinimālais
piekāršanas
augstums:
85 mmBūves svars
1m²:
20,0-29,0 kgSaisītā
dokumenta
numurs:
EN13964:2004+A1Eksploatacijas īpašību deklarācija:
DoP/Ceiling System/0062/15.11.2016

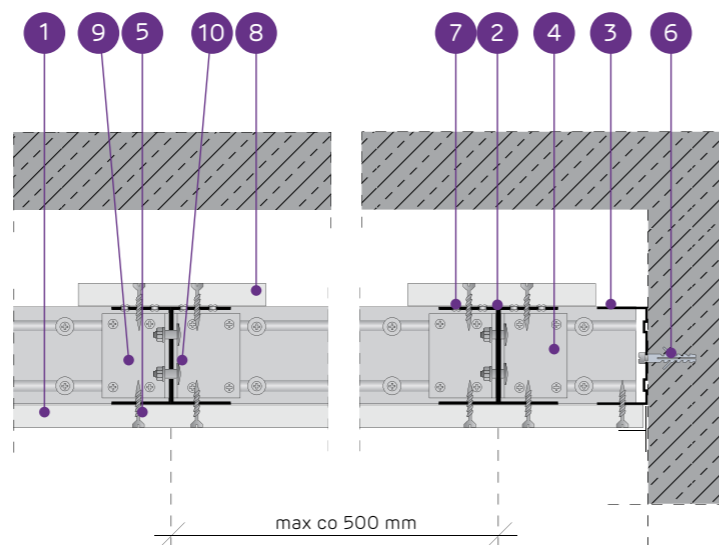
SISTĒMAS:

UARUAR75/U75/PD/500-12,5; UARUAR75/U75/PD/500-15; UARUAR75/U75/PD/500-18



MATERIĀLI:

- Ģipškartona plāksnes Nida
- Dubultais nesošais profils Nida UAR 75
- Konstrukcijas profils Nida U 75
- Nesošais profils Nida U 75
- Pašurbjošā skrūve Nida 3,5 x 25 mm
- Tērauda enkurošanas elements ar Tērauda paplāksni
- Kniede
- Pastiprinošā josla no 12,5 mm Nida ģipškartona plāksnes
- Leņķis Nida UA profilam
- Skrūve Nida M8

PAŠNESOŠO GRIESTU SISTĒMA AR DUBULTO NIDA UAR75
KONSTRUKCIJU AR PASTIPRINOŠO JOSLU

TEHNISKIE PARAMETRI

Sistēmas tips Nida Griesti	Režģa konstrukcija				Ģipša plākšņu apšuvums		Minimālais piekāršanas augstums	Būves svars 1 m ²	Ugunsizturības klase ¹⁾	Maksimālais griestu apdares platums ²⁾	Ipaša sistēma
	Nida nesošā profila tips	Nida nesošā perimetra profila tips	Nida konstrukcijas perimetra profila tips	Maksimālais Nida UAR75 nesošo profilu atstatums	Nida	Biezums					
			[mm]			[mm]	kg	[min.]	[mm]		
UARUAR75/U75/PD/500-12,5/Expert	2xUAR75	U75	U75	500	Expert	12,5	97,5	20,0	-	7040	-
UARUAR75/U75/PD/500-12,5/Ūdens ³⁾	2xUAR75	U75	U75	500	Ūdens	12,5	97,5	21,0	-	6300	-
UARUAR75/U75/PD/500-12,5/Uguns+	2xUAR75	U75	U75	500	Uguns Plus	12,5	97,5	22,0	(R)EI15	6300	-
UARUAR75/U75/PD/500-12,5/ŪdensUguns+	2xUAR75	U75	U75	500	Ūdens Uguns Plus	12,5	97,5	22,0	(R)EI15	6300	-
UARUAR75/U75/PD/500-12,5/Cietā	2xUAR75	U75	U75	500	Cietā	12,5	97,5	26,0	(R)EI15	5750	●
UARUAR75/U75/PD/500-12,5/Hydro	2xUAR75	U75	U75	500	Hydro	12,5	97,5	23,0	(R)EI15	6300	●
UARUAR75/U75/PD/500-15/Uguns+	2xUAR75	U75	U75	500	Uguns Plus	15,0	100	27,0	(R)EI15	5750	-
UARUAR75/U75/PD/500-15/Cietā	2xUAR75	U75	U75	500	Cietā	15,0	100	29,0	(R)EI15	5750	●
UARUAR75/U75/PD/500-15/Hydro	2xUAR75	U75	U75	500	Hydro	15,0	100	27,0	(R)EI15	5750	●
UARUAR75/U75/PD/500-18/Uguns+	2xUAR75	U75	U75	500	Uguns Plus	18,0	103	28,0	(R)EI30	5750	-

¹⁾ Ugunsdrošības klasifikācija LBO-458-K/17.²⁾ Tehniskais atzinums ITB 1060/12/R33NK.³⁾ Telpās ar relatīvo gaisa mitrumu līdz 85 % stūra sekcijās pret intensīvu ūdens iedarbību ieteicams izmantot Nida Hydro ģipša šķiedru plāksnes (horizontālām un vertikālām virsmām vannas, dušas utt. zonās).MATERIĀLU PATĒRIŅŠ UZ 1 M² GRIESTU APBŪVES NIDA GRIESTI SISTĒMĀ

Materiāla nosaukums	Mērv.	Sistēmas tips Nida Griesti									
		UARUAR75/ U75/ PD/500-12,5/ Expert	UARUAR75/ U75/ PD/500-12,5/ Ūdens	UARUAR75/ U75/ PD/500-12,5/ Uguns+	UARUAR75/ U75/ PD/500-12,5/ ŪdensUguns+	UARUAR75/ U75/ PD/500-12,5/ Cietā	UARUAR75/ U75/ PD/500-12,5/ Hydro	UARUAR75/ U75/ PD/500-15/ Uguns+	UARUAR75/ U75/ PD/500-15/ Cietā	UARUAR75/ U75/ PD/500-15/ Hydro	UARUAR75/ U75/ PD/500-18/ Uguns+
Materiāla patēriņš uz 1 m ²											
Plāksne Nida Expert 12,5 mm	m ²	1,3	-	-	-	-	-	-	-	-	-
Plāksne Nida Ūdens 12,5 mm	m ²	-	1,3	-	-	-	-	-	-	-	-
Plāksne Nida Uguns Plus 12,5 mm	m ²	-	-	1,3	-	-	-	-	-	-	-
Plāksne Nida Ūdens Uguns Plus 12,5 mm	m ²	-	-	-	1,3	-	-	-	-	-	-
Plāksne Nida Cietā 12,5 mm	m ²	-	-	-	-	1,3	-	-	-	-	-
Plāksne Nida Hydro 12,5 mm	m ²	-	-	-	-	-	1,3	-	-	-	-
Plāksne Nida Uguns Plus 15,0 mm	m ²	-	-	-	-	-	-	1,3	-	-	-
Plāksne Nida Cietā 15,0 mm	m ²	-	-	-	-	-	-	-	1,3	-	-
Plāksne Nida Hydro 15,0 mm	m ²	-	-	-	-	-	-	-	-	1,3	-
Plāksne Nida Uguns Plus 18,0 mm	m ²	-	-	-	-	-	-	-	-	-	1,3
Profils Nida UAR75	tek.m	4,4	4,4	4,4	4,4	4,4	4,4	4,4	4,4	4,4	4,4
Profils Nida U75	tek.m	0,75	0,75	0,75	0,75	0,75	0,75	0,75	0,75	0,75	0,75
Leņķis Nida UAR75 profilam	gab.	3,0	3,0	3,0	3,0	3,0	3,0	3,0	3,0	3,0	3,0
Skrūve Nida M8	gab.	11,3	11,3	11,3	11,3	11,3	11,3	11,3	11,3	11,3	11,3
Kniedes	gab.	5,6	5,6	5,6	5,6	5,6	5,6	5,6	5,6	5,6	5,6
Tērauda enkurošanas elements (tips atbilstoši būves svaram) ⁴⁾	gab.	12,6	12,6	12,6	12,6	12,6	12,6	12,6	12,6	12,6	12,6
Pašurbjošās skrūves Nida 3,5x25 mm ⁵⁾	gab.	27,0	27,0	27,0	27,0	-	-	27,0	-	-	-
Pašurbjošās skrūves Nida 3,5x35 mm ⁵⁾	gab.	-	-	-	-	-	-	-	-	-	27,0
Pašurbjošās skrūves Nida Cietā 35 (3,9x35 mm) ⁵⁾	gab.	-	-	-	-	27,0	-	-	27,0	-	-
Pašurbjošās skrūves Nida Hydro C4 3,5x25 mm ⁵⁾	gab.	-	-	-	-	-	27,0	-	-	27,0	-
Līmēte šuvēm Nida	tek.m	1,4	1,4	1,4	1,4	1,4	1,4	1,4	1,4	1,4	1,4
Ģipša špaktele Nida Start	kg	0,3	0,3	0,3	0,3	-	-	0,3	-	-	0,3
Ģipša špaktele Nida Finisz	kg	0,1	0,1	0,1	0,1	-	-	0,1	-	-	0,1
Gatavā špaktelmasa Nida Hydromix ⁶⁾	kg	-	-	-	-	0,4	0,4	-	0,4	0,4	-

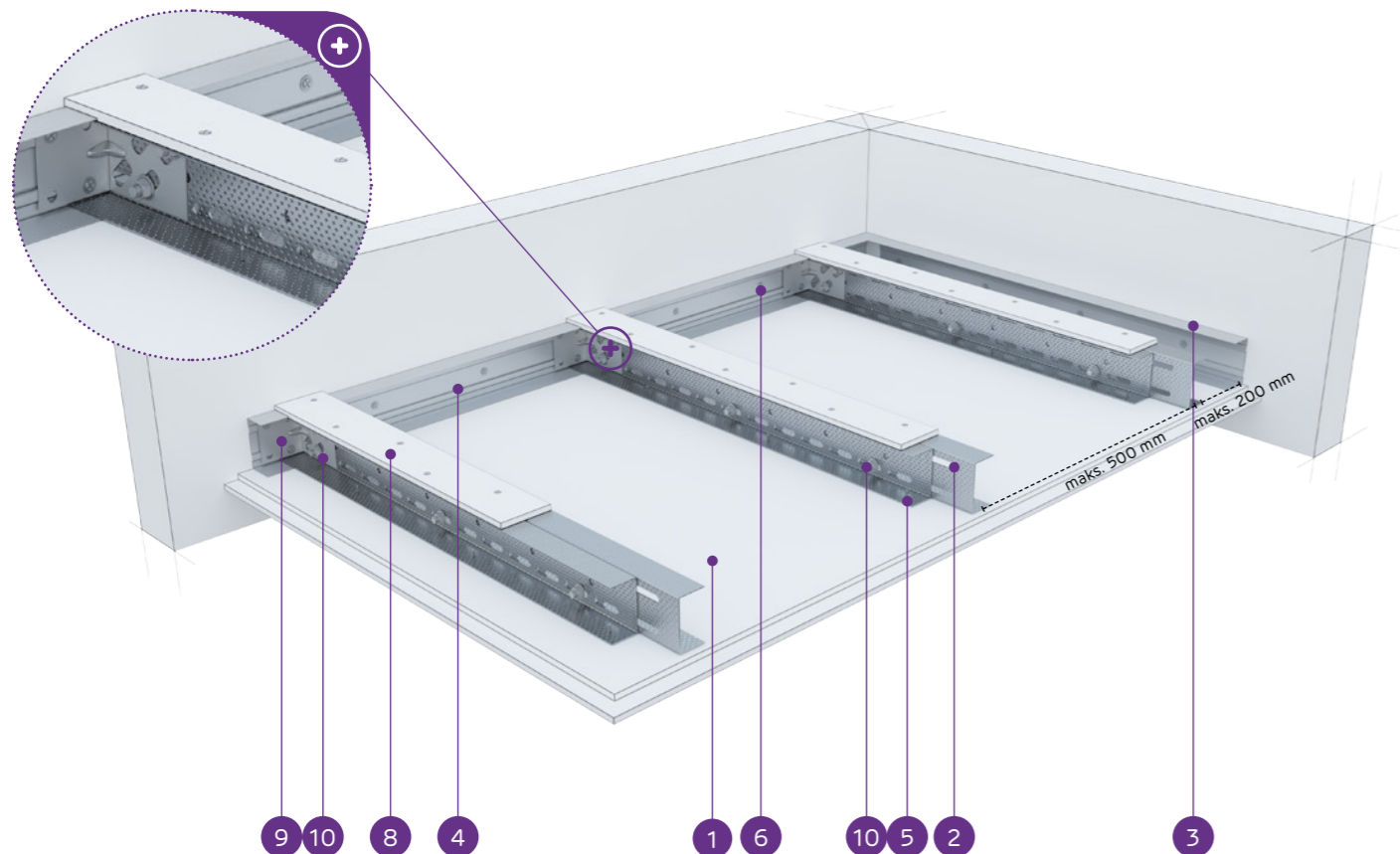
⁴⁾ Enkurošanas elementu tips un skaits jāizvēlas saskaņā ar shēmu, kas iekļauta ITB tehniskajā atzinumā Pašnesošie griesti: ITB 1060/12/R33NK.⁵⁾ Ieteicams izmantot 2 mm pašurbjošās skrūves.⁶⁾ Izmantojot ģipša šķiedru plāksnes Nida Cietā, kā alternatīvu varat izmantot arī Nida Planfix Fresh ģipša špakтели. Patēriņa standartos nav ņemti vērā materiālie zaudējumi.

nida Griesti

Ugunsizturības
klase:
(R)EI45
(R)EI60Maksimālais
apdares
platums:
6330 mmMinimālais
piekāršanas
augstums:
85 mmBūves svars
1m²:
28,0-45,0 kgSaisītā
dokumenta
numurs:
EN13964:2004+A1Eksploatacijas īpašību deklarācija:
DoP/Ceiling System/0062/15.11.2016

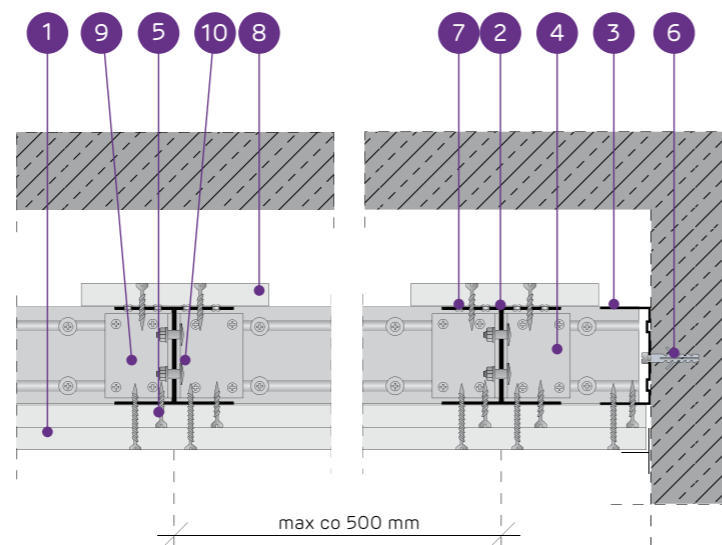
SISTĒMAS:

UARUAR75/U75/PD/500-25; UARUAR75/U75/PD/500-30



MATERIĀLI:

- Ģipškartona plāksnes Nida
- Dubultais nesošais profils Nida UAR 75
- Konstrukcijas profils Nida U 75
- Nesošais profils Nida U 75
- Pašurbjošā skrūve Nida 3,5 x 25 mm
- Tērauda enkurošanas elements ar Tērauda paplāksni
- Kniede
- Pastiprinošā josla no 12,5 mm Nida ģipškartona plāksnes
- Leņķis Nida UA profilam
- Skrūve Nida M8

PAŠNESOŠO GRIESTU SISTĒMA AR DUBULTO NIDA UAR75
KONSTRUKCIJU AR PASTIPRINOŠO JOSLU

TEHNISKIE PARAMETRI

Sistēmas tips Nida Griesti	Režģa konstrukcija				Ģipša plākšņu apšuvums		Minimālais piekāršanas augstums	Būves svars 1 m ²	Ugunsizturības klase ¹⁾	Maksimālais griestu apdares platums ²⁾	Īpašā sistē- ma
	Nida nesošā profila tips	Nida nesošā perimetra profila tips	Nida konstruk- cijas perimetra profila tips	Maksimālais Nida UAR75 nesošo profilu atstatums	Nida	Biezums					
			[mm]			[mm]	kg	[min.]	[mm]		
UARUAR75/U75/PD/500-25/Expert	2xUAR75	U75	U75	500	Expert	2x12,5	110	28,0	-	6330	-
UARUAR75/U75/PD/500-25/Ūdens ³⁾	2xUAR75	U75	U75	500	Ūdens	2x12,5	110	30,0	-	6330	-
UARUAR75/U75/PD/500-25/Uguns+	2xUAR75	U75	U75	500	Uguns Plus	2x12,5	110	33,0	(R)EI45	5860	-
UARUAR75/U75/PD/500-25/ŪdensUguns+	2xUAR75	U75	U75	500	Ūdens Uguns Plus	2x12,5	110	33,0	(R)EI45	5860	-
UARUAR75/U75/PD/500-25/Cietā	2xUAR75	U75	U75	500	Cietā	2x12,5	110	39,0	(R)EI45	5480	●
UARUAR75/U75/PD/500-25/Hydro	2xUAR75	U75	U75	500	Hydro	2x12,5	110	35,0	(R)EI45	5860	●
UARUAR75/U75/PD/500-30/Uguns+	2xUAR75	U75	U75	500	Uguns Plus	2x15,0	115	41,0	(R)EI60	5170	-
UARUAR75/U75/PD/500-30/Cietā	2xUAR75	U75	U75	500	Cietā	2x15,0	115	45,0	(R)EI60	5170	●
UARUAR75/U75/PD/500-30/Hydro	2xUAR75	U75	U75	500	Hydro	2x15,0	115	41,0	(R)EI60	5170	●

¹⁾ Ugunsdrošības klasifikācija LBO-458-K/17.²⁾ Tehniskais atzinums ITB 1060/12/R33NK.³⁾ Telpās ar relatīvo gaisa mitrumu līdz 85 % stūra sekcijās pret intensīvu ūdens iedarbību ieteicams izmantot Nida Hydro ģipša šķiedru plāksnes (horizontālām un vertikālām virsmām vannas, dušas utt. zonās).MATERIĀLU PATĒRIŅŠ UZ 1 M² GRIESTU APBŪVES NIDA GRIESTI SISTĒMĀ

Materiāla nosaukums	Mērv.	Sistēmas tips Nida Griesti									
		UARUAR75/ U75/ PD/500-25/ Expert	UARUAR75/ U75/ PD/500-25/ Ūdens	UARUAR75/ U75/ PD/500-25/ Uguns+	UARUAR75/ U75/ PD/500-25/ ŪdensUguns+	UARUAR75/ U75/ PD/500-25/ Cietā	UARUAR75/ U75/ PD/500-25/ Hydro	UARUAR75/ U75/ PD/500-30/ Uguns+	UARUAR75/ U75/ PD/500-30/ Cietā	UARUAR75/ U75/ PD/500-30/ Hydro	
Materiāla patēriņš uz 1 m ²											
Plāksne Nida Expert 12,5 mm	m ²	2,3	-	-	-	-	-	-	-	-	-
Plāksne Nida Ūdens 12,5 mm	m ²	-	2,3	-	-	-	-	-	-	-	-
Plāksne Nida Uguns Plus 12,5 mm	m ²	-	-	2,3	-	-	-	-	-	-	-
Plāksne Nida Ūdens Uguns Plus 12,5 mm	m ²	-	-	-	2,3	-	-	-	-	-	-
Plāksne Nida Cietā 12,5 mm	m ²	-	-	-	-	2,3	-	-	-	-	-
Plāksne Nida Hydro 12,5 mm	m ²	-	-	-	-	-	2,3	-	-	-	-
Plāksne Nida Uguns Plus 15,0 mm	m ²	-	-	-	-	-	-	2,3	-	-	-
Plāksne Nida Cietā 15,0 mm	m ²	-	-	-	-	-	-	-	2,3	-	-
Plāksne Nida Hydro 15,0 mm	m ²	-	-	-	-	-	-	-	-	2,3	-
Profils Nida UAR75	tek.m	4,4	4,4	4,4	4,4	4,4	4,4	4,4	4,4	4,4	4,4
Profils Nida U75	tek.m	0,75	0,75	0,75	0,75	0,75	0,75	0,75	0,75	0,75	0,75
Leņķis Nida UAR75 profilam	gab.	3,0	3,0	3,0	3,0	3,0	3,0	3,0	3,0	3,0	3,0
Skrūve Nida M8	gab.	11,3	11,3	11,3	11,3	11,3	11,3	11,3	11,3	11,3	11,3
Kniedes	gab.	5,6	5,6	5,6	5,6	5,6	5,6	5,6	5,6	5,6	5,6
Tērauda enkurošanas elements (tips atbilstoši būves svaram) ⁴⁾	gab.	12,6	12,6	12,6	12,6	12,6	12,6	12,6	12,6	12,6	12,6
Pašurbjošās skrūves Nida 3,5x25 mm ⁵⁾	gab.	15,0	15,0	15,0	15,0	-	-	15,0	-	-	-
Pašurbjošās skrūves Nida 3,5x35 mm ⁵⁾	gab.	18,0	18,0	18,0	18,0	-	-	-	-	-	-
Pašurbjošās skrūves Nida 3,5x45 mm ⁵⁾	gab.	-	-	-	-	-	-	18,0	-	-	-
Pašurbjošās skrūves Nida Cietā 35 (3,9x35 mm) ⁵⁾	gab.	-	-	-	-	33,0	-	-	-	15,0	-
Pašurbjošās skrūves Nida Cietā 45 (3,9x45 mm) ⁵⁾	gab.	-	-	-	-	-	-	-	-	18,0	-
Pašurbjošās skrūves Nida Hydro C4 3,5x25 mm ⁵⁾	gab.	-	-	-	-	-	15,0	-	-	-	15,0
Pašurbjošās skrūves Nida Hydro C4 3,5x41 mm ⁵⁾	gab.	-	-	-	-	-	18,0	-	-	-	18,0
Līmlente šuvēm Nida	tek.m	1,4	1,4	1,4	1,4	1,4	1,4	1,4	1,4	1,4	1,4
Ģipša špaktele Nida Start	kg	0,6	0,6	0,6	0,6	-	-	0,6	-	-	-
Ģipša špaktele Nida Finisz	kg	0,1	0,1	0,1	0,1	-	-	0,1	-	-	-
Gatavā špaktelmasa Nida Hydromix ⁶⁾	kg	-	-	-	-	0,7	0,7	-	-	0,7	0,7

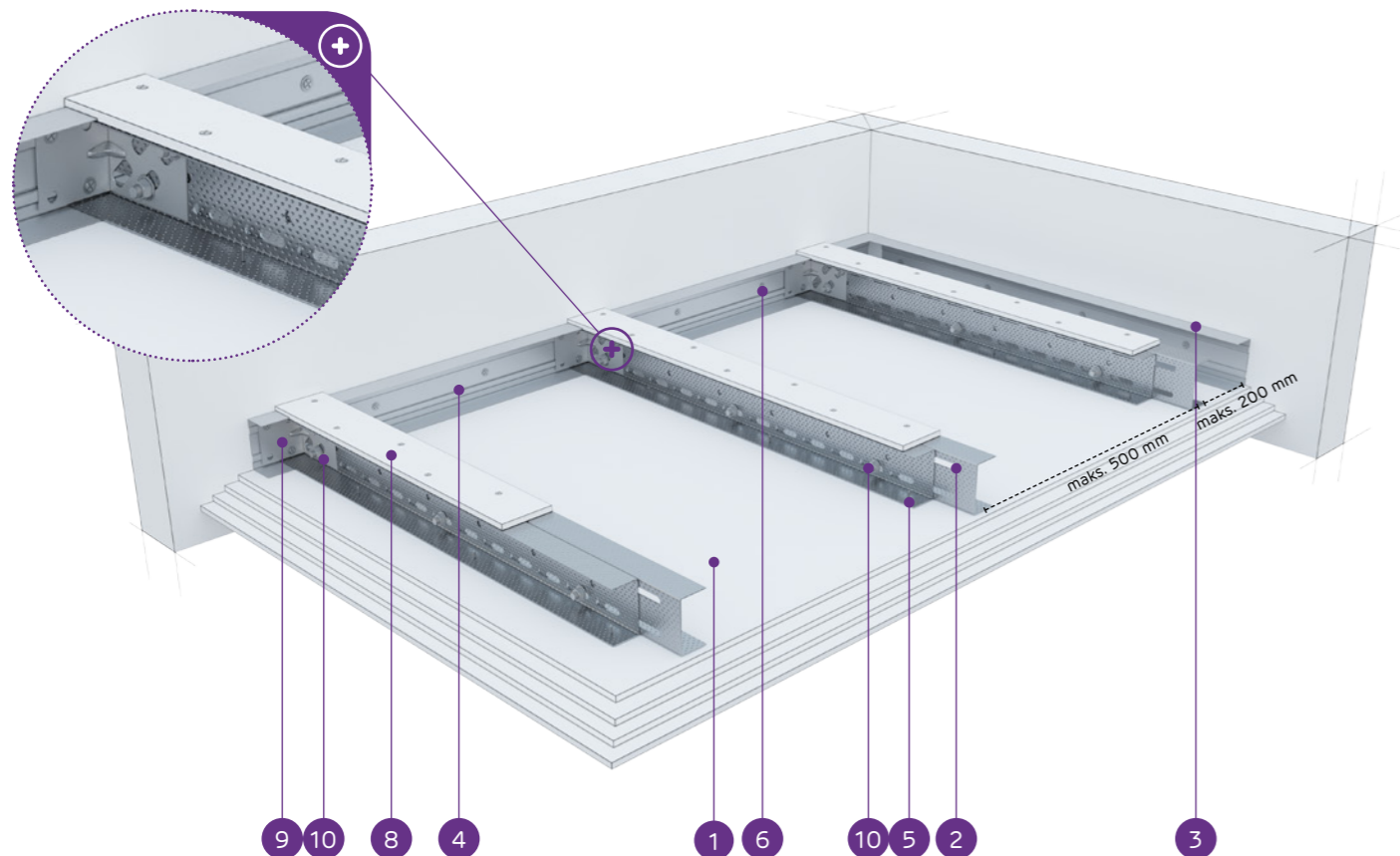
⁴⁾ Enkurošanas elementu tips un skaits jāizvēlas saskaņā ar shēmu, kas iekļauta ITB tehniskajā atzinumā Pašnesošie griesti: ITB 1060/12/R33NK.⁵⁾ Ieteicams izmantot 2 mm pašurbjošās skrūves.⁶⁾ Izmantojot ģipša šķiedru plāksnes Nida Cietā, kā alternatīvu varat izmantot arī Nida Planfix Fresh ģipša špakтели. Patēriņa standartos nav ņemti vērā materiālie zaudējumi.

nida Griesti

Ugunsizturības
klase:
(R)EI60
(R)EI90
(R)EI120Maksimālais
apdares
platums:
5170 mmMinimālais
piekāršanas
augstums:
85 mmBūves svars
1m²:
43,0-76,0 kgSaistītā
dokumenta
numurs:
EN13964:2004+A1Eksploatacijas īpašību deklarācija:
DoP/Ceiling System/0062/15.11.2016

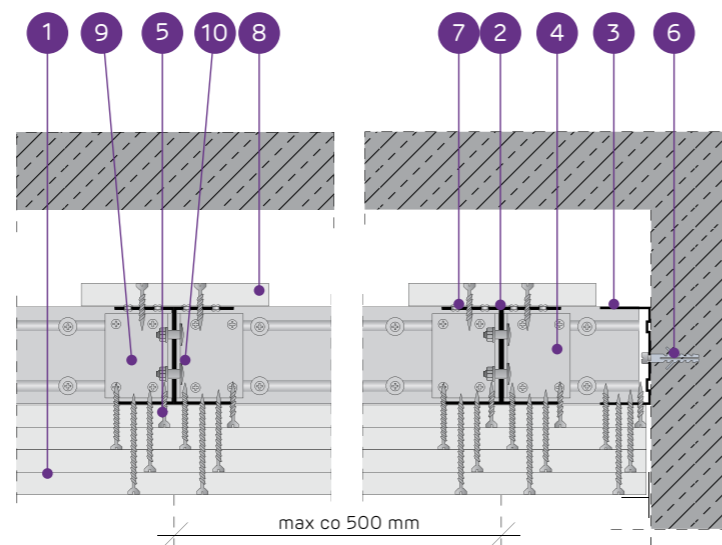
SISTĒMAS:

UARUAR75/U75/PD/500-37,5; UARUAR75/U75/PD/500-40; UARUAR75/U75/PD/500-60



MATERIĀLI:

- Ģipškartona plāksnes Nida
- Dubultais nesošais profils Nida UAR 75
- Konstrukcijas profils Nida U 75
- Nesošais profils Nida U 75
- Pašurbjošā skrūve Nida 3,5 x 25 mm
- Tērauda enkurošanas elements ar Tērauda paplāksni
- Kniede
- Pastiprinošā josla no 12,5 mm Nida ģipškartona plāksnes
- Leņķis Nida UA profilam
- Skrūve Nida M8

PAŠNESOŠO GRIESTU SISTĒMA AR DUBULTO NIDA UAR75
KONSTRUKCIJU AR PASTIPRINOŠO JOSLU

TEHNISKIE PARAMETRI

Sistēmas tips Nida Griesti	Režģa konstrukcija				Ģipša plākšņu apšuvums		Minimālais piekāršanas augstums	Būves svars 1 m ²	Ugunsizturības klase ¹⁾	Maksimālais griestu apdares platums ²⁾	Ipaša sistēma
	Nida nesošā profila tips	Nida nesošā perimetra profila tips	Nida konstrukcijas perimetra profila tips	Maksimālais Nida UAR75 nesošo profilu atstatums [mm]	Nida	Biezums					
UARUAR75/U75/PD/500-37,5/Uguns+	2xUAR75	U75	U75	500	Uguns Pluss	3x12,5	122,5	43,0	(R)EI60	5170	-
UARUAR75/U75/PD/500-37,5/ŪdensUguns+	2xUAR75	U75	U75	500	Ūdens Uguns Pluss	3x12,5	122,5	43,0	(R)EI60	5170	-
UARUAR75/U75/PD/500-37,5/Cietā	2xUAR75	U75	U75	500	Cietā	3x12,5	122,5	52,0	(R)EI60	4680	●
UARUAR75/U75/PD/500-37,5/Hydro	2xUAR75	U75	U75	500	Hydro	3x12,5	122,5	46,0	(R)EI60	4910	●
UARUAR75/U75/PD/500-40/Uguns+	2xUAR75	U75	U75	500	Uguns Pluss	2x12,5+15,0	125	46,0	(R)EI90	4910	-
UARUAR75/U75/PD/500-40/Cietā	2xUAR75	U75	U75	500	Cietā	2x12,5+15,0	125	55,0	(R)EI90	4680	●
UARUAR75/U75/PD/500-40/Hydro	2xUAR75	U75	U75	500	Hydro	2x12,5+15,0	125	48,0	(R)EI90	4910	●
UARUAR75/U75/PD/500-60/Uguns+	2xUAR75	U75	U75	500	Uguns Pluss	4x15,0	145	68,0	(R)EI120	4150	-
UARUAR75/U75/PD/500-60/Cietā	2xUAR75	U75	U75	500	Cietā	4x15,0	145	76,0	(R)EI120	3870	●
UARUAR75/U75/PD/500-60/Hydro	2xUAR75	U75	U75	500	Hydro	4x15,0	145	68,0	(R)EI120	4150	●

¹⁾ Ugunsdrošības klasifikācija LBO-458-K/17.²⁾ Tehniskais atzinums ITB 1060/12/R33NK.MATERIĀLU PATĒRIŅŠ UZ 1 M² GRIESTU APBŪVES NIDA GRIESTI SISTĒMĀ

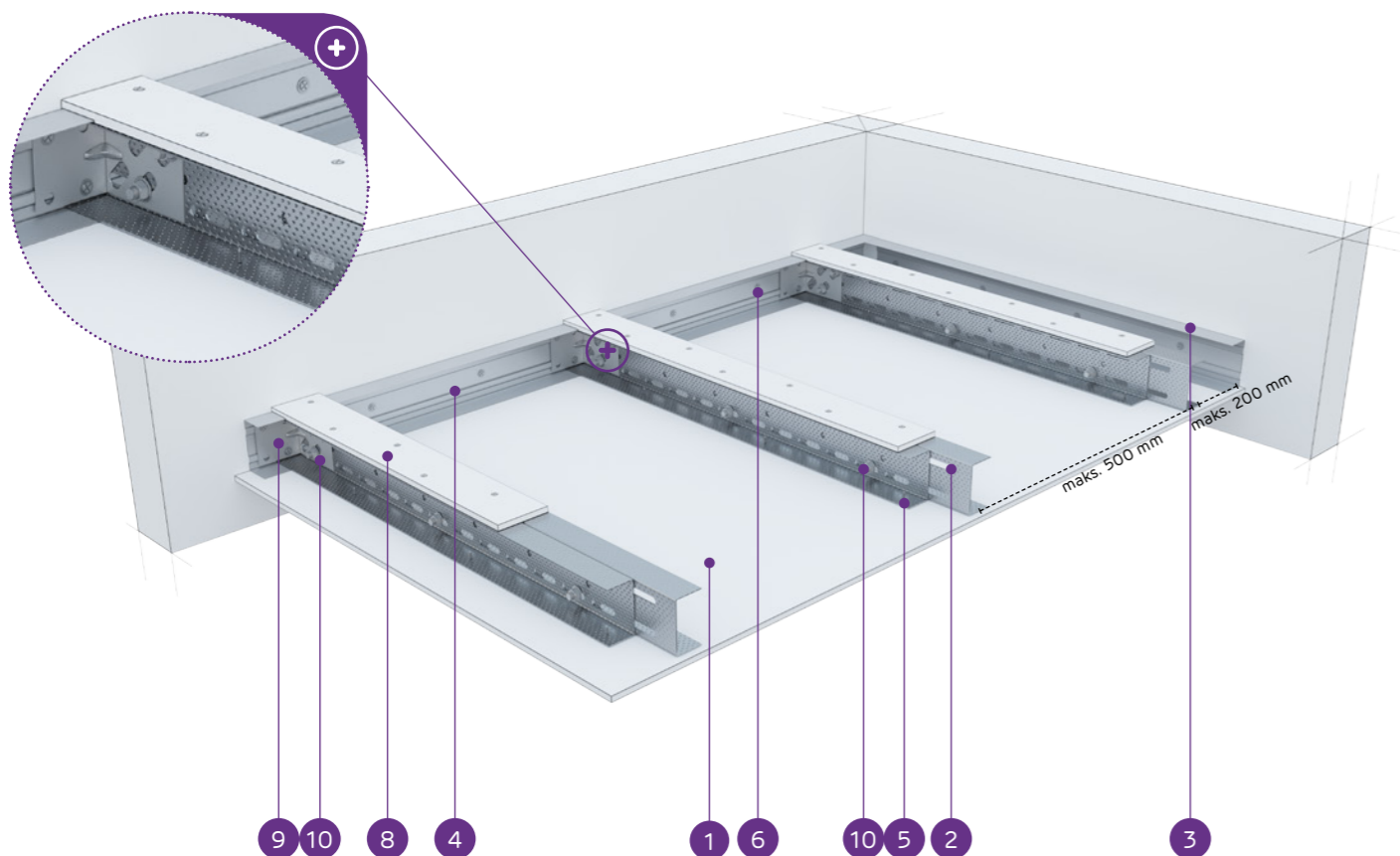
Materiāla nosaukums	Mērv.	Sistēmas tips Nida Griesti										
		UARUAR75/ U75/ PD/500- 37,5/Uguns+	UARUAR75/ U75/ PD/500-37,5/ ŪdensUguns+	UARUAR75/ U75/ PD/500-37,5/Cietā	UARUAR75/ U75/ PD/500-37,5/Hydro	UARUAR75/ U75/ PD/500-40/ Uguns+	UARUAR75/ U75/ PD/500-40/ Cietā	UARUAR75/ U75/ PD/500-40/ Hydro	UARUAR75/ U75/ PD/500-60/ Uguns+	UARUAR75/ U75/ PD/500-60/ Cietā	UARUAR75/ U75/ PD/500-60/ Hydro	
Plāksne Nida Uguns Pluss 12,5 mm	m ²	3,3	-	-	-	2,3	-	-	-	-	-	
Plāksne Nida Ūdens Uguns Pluss 12,5 mm	m ²	-	3,3	-	-	-	-	-	-	-	-	
Plāksne Nida Cietā 12,5 mm	m ²	-	-	3,3	-	2,3	-	-	-	-	-	
Plāksne Nida Hydro 12,5 mm	m ²	-	-	-	3,3	-	2,3	-	-	-	-	
Plāksne Nida Uguns Pluss 15,0 mm	m ²	-	-	-	-	1,0	-	4,3	-	-	-	
Plāksne Nida Cietā 15,0 mm	m ²	-	-	-	-	-	1,0	-	4,3	-	-	
Plāksne Nida Hydro 15,0 mm	m ²	-	-	-	-	-	-	1,0	-	-	4,3	
Profils Nida UAR75	tek.m	4,4	4,4	4,4	4,4	4,4	4,4	4,4	4,4	4,4	4,4	
Profils Nida U75	tek.m	0,75	0,75	0,75	0,75	0,75	0,75	0,75	0,75	0,75	0,75	
Leņķis Nida UAR75 profilam	gab.	3,0	3,0	3,0	3,0	3,0	3,0	3,0	3,0	3,0	3,0	
Skrūve Nida M8	gab.	11,3	11,3	11,3	11,3	11,3	11,3	11,3	11,3	11,3	11,3	
Kniedes	gab.	5,6	5,6	5,6	5,6	5,6	5,6	5,6	5,6	5,6	5,6	
Tērauda enkurošanas elements (tips atbilstoši būves svaram) ³⁾	gab.	12,6	12,6	12,6	12,6	12,6	12,6	12,6	12,6	12,6	12,6	
Pašurbjošās skrūves Nida 3,5x25 mm ⁴⁾	gab.	15,0	15,0	-	-	15,0	-	-	15,0	-	-	
Pašurbjošās skrūves Nida 3,5x35 mm ⁴⁾	gab.	6,0	6,0	-	-	6,0	-	-	-	-	-	
Pašurbjošās skrūves Nida 3,5x45 mm ⁴⁾	gab.	-	-	-	-	-	-	6,0	-	-	-	
Pašurbjošās skrūves Nida 3,5x55 mm ⁴⁾	gab.	18,0	18,0	-	-	18,0	-	6,0	-	-	-	
Pašurbjošās skrūves Nida 4,2x70 mm ⁴⁾	gab.	-	-	-	-	-	-	18,0	-	-	-	
Pašurbjošās skrūves Nida Cietā 35 (3,9x35 mm) ⁴⁾	gab.	-	-	21,0	-	-	21,0	-	-	15,0	-	
Pašurbjošās skrūves Nida Cietā 45 (3,9x45 mm) ⁴⁾	gab.	-	-	-	-	-	-	-	-	6,0	-	
Pašurbjošās skrūves Nida Cietā 55 (3,9x55 mm) ⁴⁾	gab.	-	-	18,0	-	-	18,0	-	-	6,0	-	
Pašurbjošās skrūves Nida Cietā 70 (4,2x70 mm) ⁴⁾	gab.	-	-	-	-	-	-	-	-	18,0	-	
Pašurbjošās skrūves Nida Hydro C4 3,5x41 mm ⁴⁾	gab.	-	-	-	15,0	-	-	15,0	-	-	15,0	
Pašurbjošās skrūves Nida Hydro C4 3,5x41 mm ⁴⁾	gab.	-	-	-	6,0	-	-	6,0	-	-	6,0	
Pašurbjošās skrūves Nida Hydro C4 3,5x55 mm ⁴⁾	gab.	-	-	-	18,0	-	-	18,0	-	-	6,0	
Pašurbjošās skrūves Nida Hydro C4 4,2x70 mm ⁴⁾	gab.	-	-	-	-	-	-	-	-	-	18,0	
Līmlente šuvēm Nida	tek.m	1,4	1,4	1,4	1,4	1,4	1,4	1,4	1,4	1,4	1,4	
Ģipša špaktele Nida Start	kg	0,9	0,9	-	-	0,9	-	-	1,2	-	-	
Ģipša špaktele Nida Finisz	kg	0,1	0,1	-	-	0,1	-	-	0,1	-	-	
Gatavā špaktele/masa Nida Hydromix ⁵⁾	kg	-	-	1,0	1,0	-	1,0	1,0	-	1,3	1,3	

³⁾ Enkurošanas elementu tips un skaits jāizvēlas saskaņā ar shēmu, kas iekļauta ITB tehniskajā atzinumā Pašnesošie griesti: ITB 1060/12/R33NK.⁴⁾ Ieteicams izmantot 2 mm pašurbjošās skrūves.⁵⁾ Izmantojot ģipša šķiedru plāksnes Nida Cietā, kā alternatīvu varat izmantot arī Nida Planfix Fresh ģipša špakteļi. Patēriņa standartos nav ņemti vērā materiālie zaudējumi.

nida Griesti

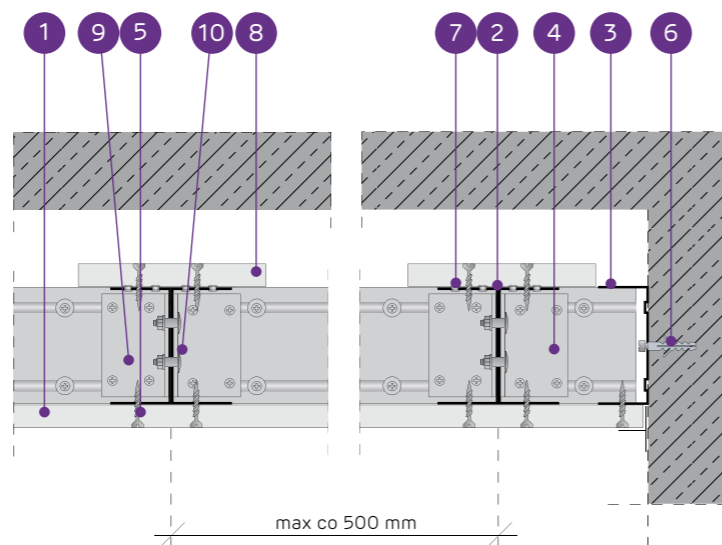
Ugunsizturības
klase:
(R)EI15
(R)EI30Maksimālais
apdares
platums:
6550 mmMinimālais
piekāršanas
augstums:
110 mmBūves svars
1m²:
21,0-31,0 kgSaisītā
dokumenta
numurs:
EN13964:2004+A1Eksploatacijas īpašību deklarācija:
DoP/Ceiling System/0064/15.11.2016

SISTĒMAS:

UARUAR100/U100/PD/PD/500-12,5; UARUAR100/U100/PD/PD/500-15;
UARUAR100/U100/PD/PD/500-18

MATERIĀLI:

- Ģipškartona plāksnes Nida
- Dubultais nesošais profils Nida UAR 100
- Konstrukcijas profils Nida U 100
- Nesošais profils Nida U 100
- Pašurbjošā skrūve Nida 3,5 x 25 mm
- Tērauda enkurošanas elements ar Tērauda paplāksni
- Kniede
- Pastiprinošā josla no 12,5 mm Nida ģipškartona plāksnes
- Leņķis Nida UA profilam
- Skrūve Nida M8

PAŠNESOŠO GRIESTU SISTĒMA AR DUBULTO NIDA UAR100
KONSTRUKCIJU AR PASTIPRINOŠO JOSLU

TEHNISKIE PARAMETRI

Sistēmas tips Nida Griesti	Režģa konstrukcija				Ģipša plākšņu apšuvums		Minimālais piekāršanas augstums	Būves svars 1m ²	Ugunsizturības klase ¹⁾	Maksimālais griestu apdares platums ²⁾	Ipaša sistē- ma
	Nida nesošā profila tips	Nida nesošā peri- metra profila tips	Nida konstruk- cijas peri- metra profila tips	Maksimālais Nida UAR100 nesošo profilu atstatums	Nida	Biezums					
			[mm]			[mm]	kg	[min.]	[mm]		
UARUAR100/U100/PD/500-12,5/Expert	2xUAR100	U100	U100	500	Expert	12,5	122,5	21,0	-	6550	-
UARUAR100/U100/PD/500-12,5/Ūdens ³⁾	2xUAR100	U100	U100	500	Ūdens	12,5	122,5	22,0	-	6550	-
UARUAR100/U100/PD/500-12,5/Uguns+	2xUAR100	U100	U100	500	Uguns Pluss	12,5	122,5	24,0	(R)EI15	6550	-
UARUAR100/U100/PD/500-12,5/ŪdensUguns+	2xUAR100	U100	U100	500	Ūdens Uguns Pluss	12,5	122,5	24,0	(R)EI15	6550	-
UARUAR100/U100/PD/500-12,5/Cietā	2xUAR100	U100	U100	500	Cietā	12,5	122,5	27,0	(R)EI15	5980	●
UARUAR100/U100/PD/500-12,5/Hydro	2xUAR100	U100	U100	500	Hydro	12,5	122,5	25,0	(R)EI15	6550	●
UARUAR100/U100/PD/500-15/Uguns+	2xUAR100	U100	U100	500	Uguns Pluss	15,0	125	28,0	(R)EI15	5980	-
UARUAR100/U100/PD/500-15/Cietā	2xUAR100	U100	U100	500	Cietā	15,0	125	31,0	(R)EI15	5540	●
UARUAR100/U100/PD/500-15/Hydro	2xUAR100	U100	U100	500	Hydro	15,0	125	28,0	(R)EI15	5980	●
UARUAR100/U100/PD/500-18/Uguns+	2xUAR100	U100	U100	500	Uguns Pluss	18,0	128	29,0	(R)EI30	5980	-

¹⁾ Ugunsdrošības klasifikācija LBO-458-K/17.²⁾ Tehniskais atzinums ITB 1060/12/R33NK.³⁾ Telpās ar relatīvo gaisa mitrumu līdz 85 % stūra sekcijās pret intensīvu ūdens iedarbību ieteicams izmantot Nida Hydro ģipša šķiedru plāksnes (horizontālām un vertikālām virsmām vannas, dušas utt. zonās).MATERIĀLU PATĒRIŅŠ UZ 1 M² GRIESTU APBŪVES NIDA GRIESTI SISTĒMĀ

Materiāla nosaukums	Mērv.	Sistēmas tips Nida Griesti										
		UARUAR100/ U100/ PD/500-12,5/ Expert	UARUAR100/ U100/ PD/500-12,5/ Ūdens	UARUAR100/ U100/ PD/500-12,5/ Uguns+	UARUAR100/ U100/ PD/500-12,5/ ŪdensUguns+	UARUAR100/ U100/ PD/500-12,5/ Cietā	UARUAR100/ U100/ PD/500-12,5/ Hydro	UARUAR100/ U100/ PD/500-15/ Uguns+	UARUAR100/ U100/ PD/500-15/ Cietā	UARUAR100/ U100/ PD/500-15/ Hydro	UARUAR100/ U100/ PD/500-18/ Uguns+	
Materiāla patēriņš uz 1 m ²												
Plāksne Nida Expert 12,5 mm	m ²	1,3	-	-	-	-	-	-	-	-	-	-
Plāksne Nida Ūdens 12,5 mm	m ²	-	1,3	-	-	-	-	-	-	-	-	-
Plāksne Nida Uguns Pluss 12,5 mm	m ²	-	-	1,3	-	-	-	-	-	-	-	-
Plāksne Nida Ūdens Uguns Pluss 12,5 mm	m ²	-	-	-	1,3	-	-	-	-	-	-	-
Plāksne Nida Cietā 12,5 mm	m ²	-	-	-	-	1,3	-	-	-	-	-	-
Plāksne Nida Hydro 12,5 mm	m ²	-	-	-	-	-	1,3	-	-	-	-	-
Plāksne Nida Uguns Pluss 15,0 mm	m ²	-	-	-	-	-	-	1,3	-	-	-	-
Plāksne Nida Cietā 15,0 mm	m ²	-	-	-	-	-	-	-	1,3	-	-	-
Plāksne Nida Hydro 15,0 mm	m ²	-	-	-	-	-	-	-	-	1,3	-	-
Plāksne Nida Uguns Pluss 18,0 mm	m ²	-	-	-	-	-	-	-	-	-	-	1,3
Profils Nida UAR100	tek.m	4,4	4,4	4,4	4,4	4,4	4,4	4,4	4,4	4,4	4,4	4,4
Profils Nida U100	tek.m	0,75	0,75	0,75	0,75	0,75	0,75	0,75	0,75	0,75	0,75	0,75
Leņķis Nida UAR100 profilam	gab.	3,0	3,0	3,0	3,0	3,0	3,0	3,0	3,0	3,0	3,0	3,0
Skrūve Nida M8	gab.	11,3	11,3	11,3	11,3	11,3	11,3	11,3	11,3	11,3	11,3	11,3
Kniedes	gab.	5,6	5,6	5,6	5,6	5,6	5,6	5,6	5,6	5,6	5,6	5,6
Tērauda enkurošanas elements (tips atbilstoši būves svaram) ⁴⁾	gab.	12,6	12,6	12,6	12,6	12,6	12,6	12,6	12,6	12,6	12,6	12,6
Pašurbjošās skrūves Nida 3,5x25 mm ⁵⁾	gab.	27,0	27,0	27,0	27,0	-	-	27,0	-	-	-	-
Pašurbjošās skrūves Nida 3,5x35 mm ⁵⁾	gab.	-	-	-	-	-	-	-	-	-	-	27,0
Pašurbjošās skrūves Nida Cietā 35 (3,9x35 mm) ⁵⁾	gab.	-	-	-	-	-	27,0	-	-	27,0	-	-
Pašurbjošās skrūves Nida Hydro C4 3,5x25 mm ⁵⁾	gab.	-	-	-	-	-	-	-	27,0	-	27,0	-
Līmlente šuvēm Nida	tek.m	1,4	1,4	1,4	1,4	1,4	1,4	1,4	1,4	1,4	1,4	1,4
Ģipša špaktele Nida Start	kg	0,3	0,3	0,3	0,3	-	-	0,3	-	-	-	0,3
Ģipša špaktele Nida Finisz	kg	0,1	0,1	0,1	0,1	-	-	0,1	-	-	-	0,1
Gatavā špaktelmasa Nida Hydromix ⁶⁾	kg	-	-	-	-	0,4	0,4	-	0,4	0,4	-	-

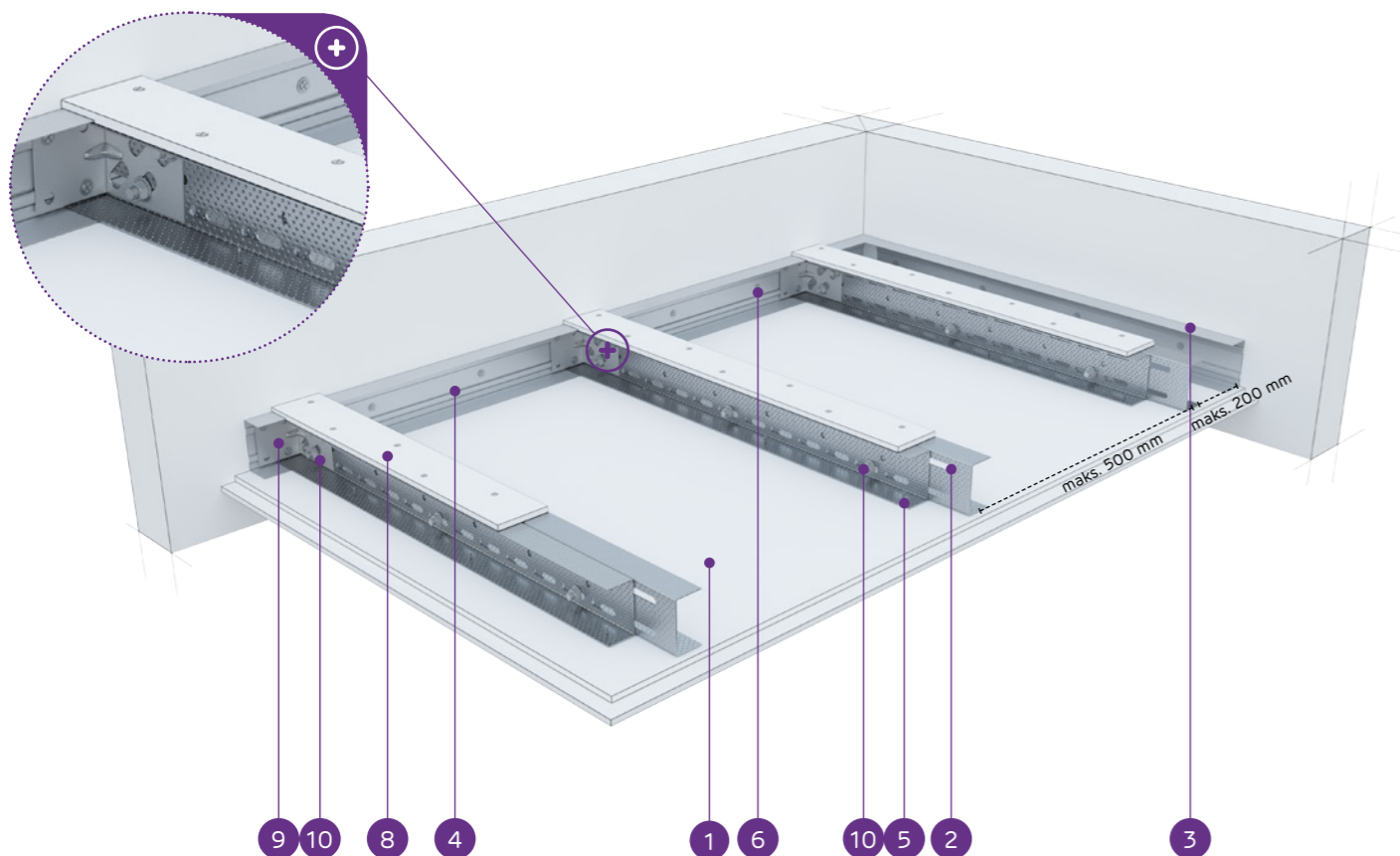
⁴⁾ Enkurošanas elementu tips un skaits jāizvēlas saskaņā ar shēmu, kas iekļauta ITB tehniskajā atzinumā Pašnesošie griesti: ITB 1060/12/R33NK.⁵⁾ Ieteicams izmantot 2 mm pašurbjošās skrūves.⁶⁾ Izmantojot ģipša šķiedru plāksnes Nida Cietā, kā alternatīvu varat izmantot arī Nida Planfix Fresh ģipša špakteļi. Patēriņa standartos nav ņemti vērā materiālie zaudējumi.

nida Griesti

Ugunsizturības
klase:
(R)EI45
(R)EI60Maksimālais
apdares
platums:
7120 mmMinimālais
piekāršanas
augstums:
110 mmBūves svars
1m²:
30,0-47,0 kgSaisītā
dokumenta
numurs:
EN13964:2004+A1Eksploatacijas īpašību deklarācija:
DoP/Ceiling System/0064/15.11.2016

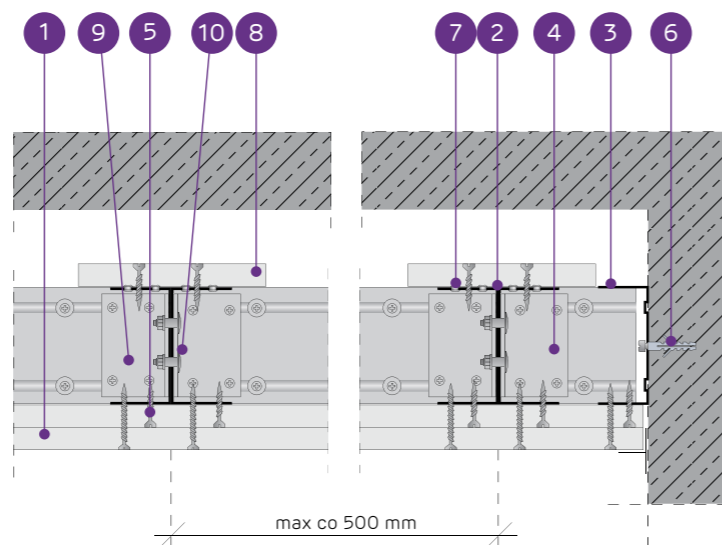
SISTĒMAS:

UARUAR100/U100/PD/500-25; UARUAR100/U100/PD/500-30



MATERIĀLI:

- Ģipškartona plāksnes Nida
- Dubultais nesošais profils Nida UAR 100
- Konstrukcijas profils Nida U 100
- Nesošais profils Nida U 100
- Pašurbjošā skrūve Nida 3,5 x 25 mm
- Tērauda enkurošanas elements ar Tērauda paplāksni
- Kniede
- Pastiprinošā josla no 12,5 mm Nida ģipškartona plāksnes
- Leņķis Nida UA profilam
- Skrūve Nida M8

PAŠNESOŠO GRIESTU SISTĒMA AR DUBULTO NIDA UAR100
KONSTRUKCIJU AR PASTIPRINOŠO JOSLU

TEHNISKIE PARAMETRI

Sistēmas tips Nida Griesti	Režģa konstrukcija				Ģipša plākšņu apšuvums		Minimālais piekāršanas augstums	Būves svars 1m ²	Ugunsizturības klase ¹⁾	Maksimālais griestu apdares platums ²⁾	Īpašā sistē- ma
	Nida nesošā profila tips	Nida nesošā peri- metra profila tips	Nida konstruk- cijas peri- metra profila tips	Maksimālais Nida UAR100 nesošo profilu atstatums	Nida	Biezums					
UARUAR100/U100/PD/500-25/Expert	2xUAR100	U100	U100	500	Expert	2x12,5	135	30,0	-	7120	-
UARUAR100/U100/PD/500-25/Ūdens ³⁾	2xUAR100	U100	U100	500	Ūdens	2x12,5	135	31,0	-	6590	-
UARUAR100/U100/PD/500-25/Uguns+	2xUAR100	U100	U100	500	Uguns Plus	2x12,5	135	34,0	(R)EI45	6590	-
UARUAR100/U100/PD/500-25/ŪdensUguns+	2xUAR100	U100	U100	500	Ūdens Uguns Plus	2x12,5	135	34,0	(R)EI45	6590	-
UARUAR100/U100/PD/500-25/Cietā	2xUAR100	U100	U100	500	Cietā	2x12,5	135	41,0	(R)EI45	5810	●
UARUAR100/U100/PD/500-25/Hydro	2xUAR100	U100	U100	500	Hydro	2x12,5	135	36,0	(R)EI45	6170	●
UARUAR100/U100/PD/500-30/Uguns+	2xUAR100	U100	U100	500	Uguns Plus	2x15,0	140	42,0	(R)EI60	5810	-
UARUAR100/U100/PD/500-30/Cietā	2xUAR100	U100	U100	500	Cietā	2x15,0	140	47,0	(R)EI60	5520	●
UARUAR100/U100/PD/500-30/Hydro	2xUAR100	U100	U100	500	Hydro	2x15,0	140	42,0	(R)EI60	5810	●

¹⁾ Ugunsdrošības klasifikācija LBO-458-K/17.²⁾ Tehniskais atzinums ITB 1060/12/R33NK.³⁾ Telpās ar relatīvo gaisa mitrumu līdz 85 % stūra sekcijās pret intensīvu ūdens iedarbību ieteicams izmantot Nida Hydro ģipša šķiedru plāksnes (horizontālām un vertikālām virsmām vannas, dušas utt. zonās).MATERIĀLU PATĒRIŅŠ UZ 1 M² GRIESTU APBŪVES NIDA GRIESTI SISTĒMĀ

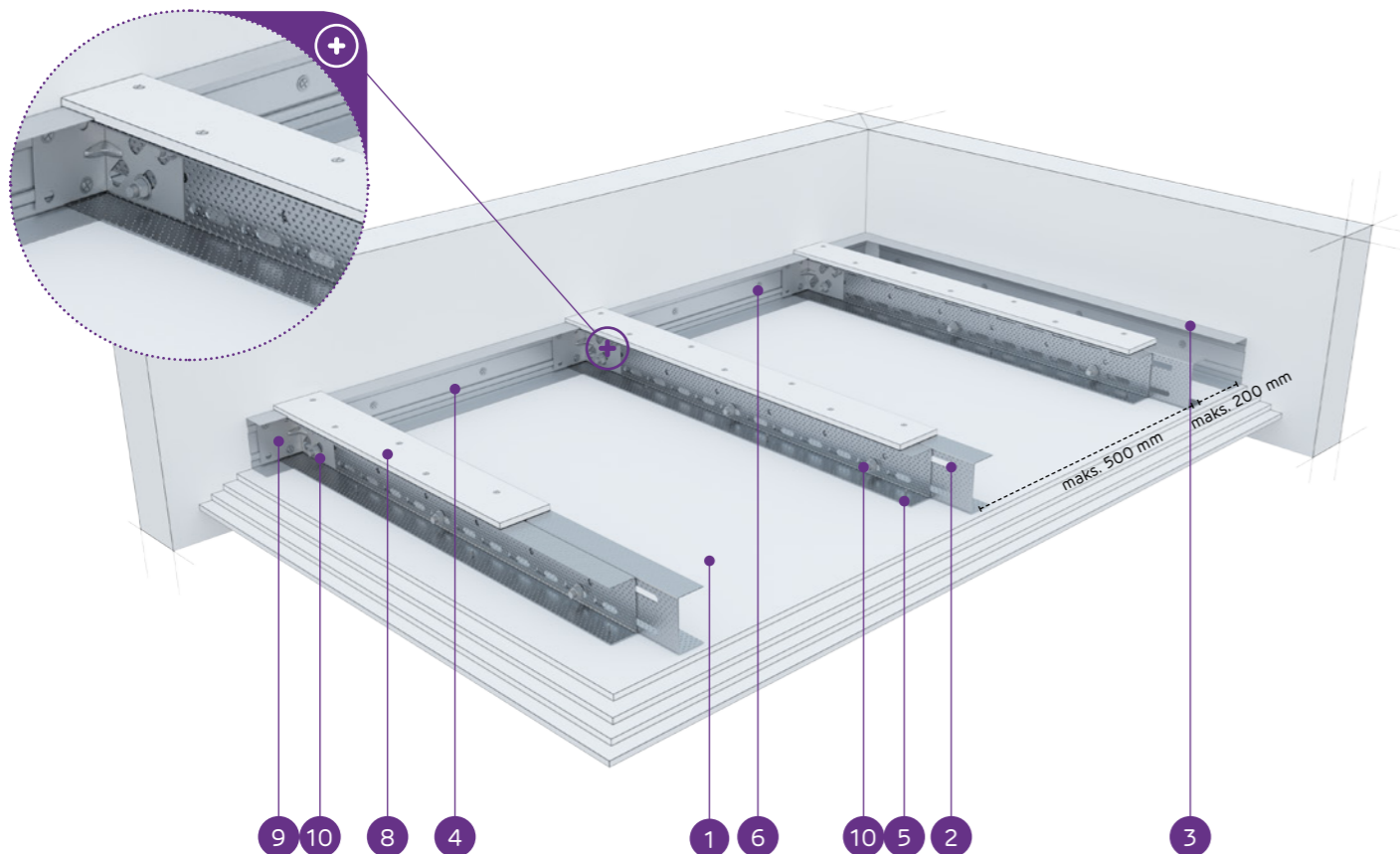
Materiāla nosaukums	Mērv.	Sistēmas tips Nida Griesti									
		UARUAR100/ U100/ PD/500-25/ Expert	UARUAR100/ U100/ PD/500-25/ Ūdens	UARUAR100/ U100/ PD/500-25/ Uguns+	UARUAR100/ U100/ PD/500-25/ ŪdensUguns+	UARUAR100/ U100/ PD/500-25/ Cietā	UARUAR100/ U100/ PD/500-25/ Hydro	UARUAR100/ U100/ PD/500-30/ Uguns+	UARUAR100/ U100/ PD/500-30/ Cietā	UARUAR100/ U100/ PD/500-30/ Hydro	
Materiālu patēriņš uz 1 m ²											
Plāksne Nida Expert 12,5 mm	m ²	2,3	-	-	-	-	-	-	-	-	-
Plāksne Nida Ūdens 12,5 mm	m ²	-	2,3	-	-	-	-	-	-	-	-
Plāksne Nida Uguns Plus 12,5 mm	m ²	-	-	2,3	-	-	-	-	-	-	-
Plāksne Nida Ūdens Uguns Plus 12,5 mm	m ²	-	-	-	2,3	-	-	-	-	-	-
Plāksne Nida Cietā 12,5 mm	m ²	-	-	-	-	2,3	-	-	-	-	-
Plāksne Nida Hydro 12,5 mm	m ²	-	-	-	-	-	2,3	-	-	-	-
Plāksne Nida Uguns Plus 15,0 mm	m ²	-	-	-	-	-	-	2,3	-	-	-
Plāksne Nida Cietā 15,0 mm	m ²	-	-	-	-	-	-	-	2,3	-	-
Plāksne Nida Hydro 15,0 mm	m ²	-	-	-	-	-	-	-	-	2,3	-
Profils Nida UAR100	tek.m	4,4	4,4	4,4	4,4	4,4	4,4	4,4	4,4	4,4	4,4
Profils Nida U100	tek.m	0,75	0,75	0,75	0,75	0,75	0,75	0,75	0,75	0,75	0,75
Leņķis Nida UAR100 profilam	gab.	3,0	3,0	3,0	3,0	3,0	3,0	3,0	3,0	3,0	3,0
Skrūve Nida M8	gab.	11,3	11,3	11,3	11,3	11,3	11,3	11,3	11,3	11,3	11,3
Kniedes	gab.	5,6	5,6	5,6	5,6	5,6	5,6	5,6	5,6	5,6	5,6
Tērauda enkurošanas elements (tips atbilstoši būves svaram) ⁴⁾	gab.	12,6	12,6	12,6	12,6	12,6	12,6	12,6	12,6	12,6	12,6
Pašurbjošās skrūves Nida 3,5x25 mm ⁵⁾	gab.	15,0	15,0	15,0	15,0	-	-	15,0	-	-	-
Pašurbjošās skrūves Nida 3,5x35 mm ⁵⁾	gab.	18,0	18,0	18,0	18,0	-	-	-	-	-	-
Pašurbjošās skrūves Nida 3,5x45 mm ⁵⁾	gab.	-	-	-	-	-	-	18,0	-	-	-
Pašurbjošās skrūves Nida Cietā 35 (3,9x35 mm) ⁵⁾	gab.	-	-	-	-	33,0	-	-	15,0	-	-
Pašurbjošās skrūves Nida Cietā 45 (3,9x45 mm) ⁵⁾	gab.	-	-	-	-	-	-	-	18,0	-	-
Pašurbjošās skrūves Nida Hydro C4 3,5x25 mm ⁵⁾	gab.	-	-	-	-	-	15,0	-	-	15,0	-
Pašurbjošās skrūves Nida Hydro C4 3,5x41 mm ⁵⁾	gab.	-	-	-	-	-	18,0	-	-	18,0	-
Limlente šuvēm Nida	tek.m	1,4	1,4	1,4	1,4	1,4	1,4	1,4	1,4	1,4	1,4
Ģipša špaktele Nida Start	kg	0,6	0,6	0,6	0,6	-	-	0,6	-	-	-
Ģipša špaktele Nida Finisz	kg	0,1	0,1	0,1	0,1	-	-	0,1	-	-	-
Gatavā špaktele/masa Nida Hydromix ⁶⁾	kg	-	-	-	-	0,7	0,7	-	0,7	0,7	0,7

⁴⁾ Enkurošanas elementu tips un skaits jāizvēlas saskaņā ar shēmu, kas iekļauta ITB tehniskajā atzinumā Pašnesošie griesti: ITB 1060/12/R33NK.⁵⁾ Ieteicams izmantot 2 mm pašurbjošās skrūves.⁶⁾ Izmantojot ģipša šķiedru plāksnes Nida Cietā, kā alternatīvu varat izmantot arī Nida Planfix Fresh ģipša špakteļi. Patēriņa standartos nav ņemti vērā materiālie zaudējumi.

nida Griesti

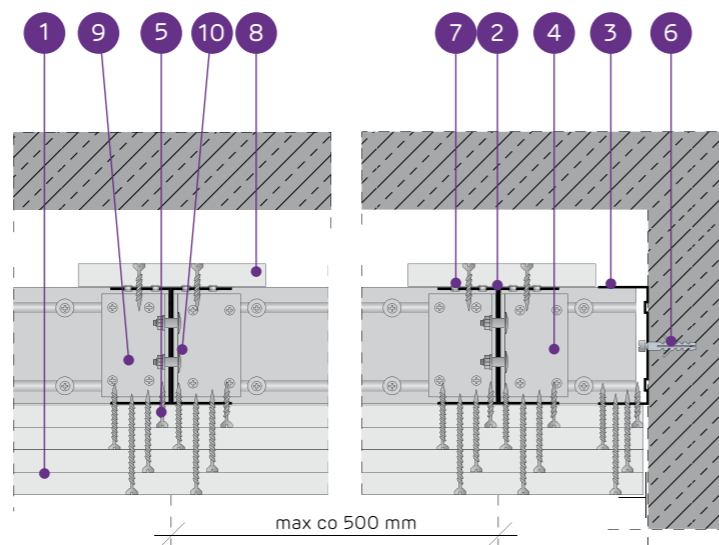
Ugunsizturības
klase:
(R)EI60
(R)EI90
(R)EI120Maksimālais
apdares
platums:
5810 mmMinimālais
piekāršanas
augstums:
110 mmBūves svars
1m²:
44,0-78,0 kgSaistītā
dokumenta
numurs:
EN13964:2004+A1Eksploatacijas īpašību deklarācija:
DoP/Ceiling System/0064/15.11.2016

SISTĒMAS:

UARUAR100/U100/PD/500-37,5; UARUAR100/U100/PD/500-40;
UARUAR100/U100/PD/500-60

MATERIĀLI:

- Ģipškartona plāksnes Nida
- Dubultais nesošais profils Nida UAR 100
- Konstrukcijas profils Nida U 100
- Nesošais profils Nida U 100
- Pašurbjošā skrūve Nida 3,5 x 25 mm
- Tērauda enkurošanas elements ar Tērauda paplāksni
- Kniede
- Pastiprinošā josla no 12,5 mm Nida ģipškartona plāksnes
- Leņķis Nida UA profilam
- Skrūve Nida M8

PAŠNESOŠO GRIESTU SISTĒMA AR DUBULTO NIDA UAR100
KONSTRUKCIJU AR PASTIPRINOŠO JOSLU

TEHNISKIE PARAMETRI

Sistēmas tips Nida Griesti	Režģa konstrukcija				Ģipša plāksņu apšuvums	Minimālais piekāršanas augstums	Būves svars 1m ²	Ugunsizturības klase ¹⁾	Maksimālais griestu apdares platums ²⁾	Ipaša sistē- ma	
	Nida nesošā profila tips	Nida nesošā peri- metra profila tips	Nida konstruk- cijas perimetra profila tips	Maksimālais Nida UAR100 nesošo profilu atstatums [mm]							Nida
UARUAR100/U100/PD/500-37,5/Uguns+	2xUAR100	U100	U100	500	Uguns Pluss	3x12,5	147,5	44,0	(R)EI60	5810	-
UARUAR100/U100/PD/500-37,5/ŪdensUguns+	2xUAR100	U100	U100	500	Ūdens Uguns Pluss	3x12,5	147,5	44,0	(R)EI60	5810	-
UARUAR100/U100/PD/500-37,5/Cietā	2xUAR100	U100	U100	500	Cietā	3x12,5	147,5	54,0	(R)EI60	5260	●
UARUAR100/U100/PD/500-37,5/Hydro	2xUAR100	U100	U100	500	Hydro	3x12,5	147,5	47,0	(R)EI60	5520	●
UARUAR100/U100/PD/500-40/Uguns+	2xUAR100	U100	U100	500	Uguns Pluss	2x12,5+15,0	150	48,0	(R)EI90	5520	-
UARUAR100/U100/PD/500-40/Cietā	2xUAR100	U100	U100	500	Cietā	2x12,5+15,0	150	56,0	(R)EI90	5030	●
UARUAR100/U100/PD/500-40/Hydro	2xUAR100	U100	U100	500	Hydro	2x12,5+15,0	150	50,0	(R)EI90	5520	●
UARUAR100/U100/PD/500-60/Uguns+	2xUAR100	U100	U100	500	Uguns Pluss	4x15,0	170	70,0	(R)EI120	4660	-
UARUAR100/U100/PD/500-60/Cietā	2xUAR100	U100	U100	500	Cietā	4x15,0	170	78,0	(R)EI120	4360	●
UARUAR100/U100/PD/500-60/Hydro	2xUAR100	U100	U100	500	Hydro	4x15,0	170	70,0	(R)EI120	4660	●

¹⁾ Ugunsdrošības klasifikācija LBO-458-K/17.²⁾ Tehniskais atzinums ITB 1060/12/R33NK.MATERIĀLU PATĒRĪŅŠ UZ 1 M² GRIESTU APBŪVES NIDA GRIESTI SISTĒMĀ

Materiāla nosaukums	Mērv.	Sistēmas tips Nida Griesti										
		UARUAR100/ U100/ PD/500- 37,5/Uguns+	UARUAR100/ U100/ PD/500-37,5/ ŪdensUguns+	UARUAR100/ U100/ PD/500-37,5/ Cietā	UARUAR100/ U100/ PD/500-37,5/ Hydro	UARUAR100/ U100/ PD/500-40/ Uguns+	UARUAR100/ U100/ PD/500-40/ Cietā	UARUAR100/ U100/ PD/500-40/ Hydro	UARUAR100/ U100/ PD/500-60/ Uguns+	UARUAR100/ U100/ PD/500-60/ Cietā	UARUAR100/ U100/ PD/500-60/ Hydro	
Materiāla patēriņš uz 1 m ²												
Plāksne Nida Uguns Pluss 12,5 mm	m ²	3,3	-	-	-	2,3	-	-	-	-	-	-
Plāksne Nida Ūdens Uguns Pluss 12,5 mm	m ²	-	3,3	-	-	-	-	-	-	-	-	-
Plāksne Nida Cietā 12,5 mm	m ²	-	-	3,3	-	2,3	-	-	-	-	-	-
Plāksne Nida Hydro 12,5 mm	m ²	-	-	-	3,3	-	2,3	-	-	-	-	-
Plāksne Nida Uguns Pluss 15,0 mm	m ²	-	-	-	-	1,0	-	-	4,3	-	-	-
Plāksne Nida Cietā 15,0 mm	m ²	-	-	-	-	-	1,0	-	-	4,3	-	-
Plāksne Nida Hydro 15,0 mm	m ²	-	-	-	-	-	-	1,0	-	-	4,3	-
Profils Nida UAR100	tek.m	4,4	4,4	4,4	4,4	4,4	4,4	4,4	4,4	4,4	4,4	4,4
Profils Nida U100	tek.m	0,75	0,75	0,75	0,75	0,75	0,75	0,75	0,75	0,75	0,75	0,75
Leņķis Nida UAR100 profilam	gab.	3,0	3,0	3,0	3,0	3,0	3,0	3,0	3,0	3,0	3,0	3,0
Skrūve Nida M8	gab.	11,3	11,3	11,3	11,3	11,3	11,3	11,3	11,3	11,3	11,3	11,3
Kniedes	gab.	5,6	5,6	5,6	5,6	5,6	5,6	5,6	5,6	5,6	5,6	5,6
Tērauda enkurošanas elements (tips atbilstoši būves svaram) ³⁾	gab.	12,6	12,6	12,6	12,6	12,6	12,6	12,6	12,6	12,6	12,6	12,6
Pašurbjošās skrūves Nida 3,5x25 mm ⁴⁾	gab.	15,0	15,0	-	-	15,0	-	-	15,0	-	-	-
Pašurbjošās skrūves Nida 3,5x35 mm ⁴⁾	gab.	6,0	6,0	-	-	6,0	-	-	-	-	-	-
Pašurbjošās skrūves Nida 3,5x45 mm ⁴⁾	gab.	-	-	-	-	-	-	-	6,0	-	-	-
Pašurbjošās skrūves Nida 3,5x55 mm ⁴⁾	gab.	18,0	18,0	-	-	18,0	-	-	6,0	-	-	-
Pašurbjošās skrūves Nida 4,2x70 mm ⁴⁾	gab.	-	-	-	-	-	-	-	18,0	-	-	-
Pašurbjošās skrūves Nida Cietā 35 (3,9x35 mm) ⁴⁾	gab.	-	-	21,0	-	-	21,0	-	-	-	15,0	-
Pašurbjošās skrūves Nida Cietā 45 (3,9x45 mm) ⁴⁾	gab.	-	-	-	-	-	-	-	-	-	6,0	-
Pašurbjošās skrūves Nida Cietā 55 (3,9x55 mm) ⁴⁾	gab.	-	-	18,0	-	-	18,0	-	-	-	6,0	-
Pašurbjošās skrūves Nida Cietā 70 (4,2x70 mm) ⁴⁾	gab.	-	-	-	-	-	-	-	-	-	18,0	-
Pašurbjošās skrūves Nida Hydro C4 3,5x25 mm ⁴⁾	gab.	-	-	-	15,0	-	-	15,0	-	-	-	15,0
Pašurbjošās skrūves Nida Hydro C4 3,5x41 mm ⁴⁾	gab.	-	-	-	6,0	-	-	6,0	-	-	-	6,0
Pašurbjošās skrūves Nida Hydro C4 3,5x55 mm ⁴⁾	gab.	-	-	-	18,0	-	-	18,0	-	-	-	6,0
Pašurbjošās skrūves Nida Hydro C4 4,2x70 mm ⁴⁾	gab.	-	-	-	-	-	-	-	-	-	-	18,0
Līm lente šuvēm Nida	tek.m	1,4	1,4	1,4	1,4	1,4	1,4	1,4	1,4	1,4	1,4	1,4
Ģipša špaktele Nida Start	kg	0,9	0,9	-	-	0,9	-	-	1,2	-	-	-
Ģipša špaktele Nida Finisz	kg	0,1	0,1	-	-	0,1	-	-	0,1	-	-	-
Gatavā špaktele/masa Nida Hydromix ⁵⁾	kg	-	-	1,0	1,0	-	1,0	1,0	-	1,3	1,3	-

³⁾ Enkurošanas elementu tips un skaits jāizvēlas saskaņā ar shēmu, kas iekļauta ITB tehniskajā atzinumā Pašnesošie griesti: ITB 1060/12/R33NK.⁴⁾ Ieteicams izmantot 2 mm pašurbjošās skrūves.⁵⁾ Izmantojot ģipša šķiedru plāksnes Nida Cietā, kā alternatīvu varat izmantot arī Nida Planfix Fresh ģipša špakтели. Patēriņa standartos nav ņemti vērā materiālie zaudējumi.

nida Griesti

NESOŠĀS KONSTRUKCIJAS IZKĀRTOJUMA ATLASĒS TABULAS NIDA GRIESTI
SISTĒMĀ ATTIECĪBĀ UZ PIEĻAUJAMO SLODZI

Pašnesošo griestu sistēma ar Nida C nesošo konstrukciju																
Pašnesošo griestu sistēmas (bez iekāršanas) Nida Griesti tips	Plāksņu kātu skaits [mm]	Pašnesošo griestu sistēmas Nida Griesti kopējais svars [kg/m ²]														
		10	15	20	25	30	35	40	45	50	55	60	65	70	75	80
		Maksimālais pašnesošo griestu platums ar virsmas slodzi, ieskaitot pašmasu [m]														
NIDA GRIESTI PAŠNESOŠIE GRIESTI AR VIENU NESOŠO KONSTRUKCIJU NIDA C, NIDA U ATBILSTOŠI SINIAT TEHNOĻĪJAI																
C50/U50/500	1x12,5	2,72	2,22	1,92	1,72	1,57	1,45	1,36	1,28	1,22	1,16	1,11	1,07	1,03	0,99	0,96
C50/U50/500	2x12,5	2,47	2,01	1,74	1,56	1,42	1,32	1,23	1,16	1,10	1,05	1,01	0,97	0,93	0,90	0,87
C75/U75/500	1x12,5	2,84	2,32	2,00	1,80	1,64	1,52	1,42	1,34	1,26	1,20	1,16	1,12	1,07	1,04	1,01
C75/U75/500	2x12,5	3,13	2,56	2,21	1,98	1,81	1,67	1,57	1,48	1,40	1,33	1,28	1,23	1,18	1,14	1,11
C100/U100/500	1x12,5	3,40	2,78	2,41	2,15	1,97	1,82	1,70	1,60	1,52	1,45	1,39	1,34	1,29	1,24	1,20
C100/U100/500	2x12,5	3,42	2,80	2,42	2,17	1,98	1,83	1,71	1,61	1,53	1,46	1,40	1,34	1,29	1,25	1,21
NIDA GRIESTI PAŠNESOŠIE GRIESTI AR VIENU NESOŠO KONSTRUKCIJU NIDA C, NIDA U AR PASTIPRINOŠO JOSLU ATBILSTOŠI SINIAT TEHNOĻĪJAI																
C50/U50/PD/500	1x12,5	3,09	2,53	2,19	1,96	1,79	1,65	1,55	1,46	1,38	1,32	1,26	1,21	1,17	1,13	1,09
C50/U50/PD/500	2x12,5	3,19	2,61	2,26	2,03	1,85	1,71	1,60	1,51	1,42	1,36	1,30	1,25	1,21	1,17	1,13
C75/U75/PD/500	1x12,5	3,63	2,97	2,57	2,29	2,09	1,93	1,81	1,71	1,63	1,55	1,48	1,42	1,37	1,33	1,28
C75/U75/PD/500	2x12,5	3,75	3,06	2,65	2,37	2,16	2,00	1,87	1,77	1,68	1,60	1,53	1,47	1,42	1,37	1,32
C100/U100/PD/500	1x12,5	4,27	3,49	3,02	2,70	2,47	2,28	2,13	2,01	1,91	1,82	1,74	1,67	1,61	1,56	1,51
C100/U100/PD/500	2x12,5	4,41	3,60	3,12	2,79	2,55	2,36	2,20	2,08	1,97	1,88	1,80	1,73	1,67	1,61	1,56
NIDA GRIESTI PAŠNESOŠIE GRIESTI AR DUBULTU NESOŠO KONSTRUKCIJU NIDA C, NIDA U ATBILSTOŠI SINIAT TEHNOĻĪJAI																
CC50/U50/500	1x12,5	3,52	2,87	2,49	2,22	2,03	1,88	1,76	1,66	1,57	1,50	1,44	1,38	1,33	1,28	1,24
CC50/U50/500	2x12,5	3,98	3,25	2,82	2,52	2,30	2,13	1,99	1,88	1,78	1,70	1,63	1,56	1,50	1,45	1,41
CC75/U75/500	1x12,5	4,51	3,69	3,19	2,86	2,61	2,41	2,26	2,13	2,02	1,92	1,84	1,77	1,71	1,65	1,60
CC75/U75/500	2x12,5	4,60	3,76	3,25	2,91	2,66	2,46	2,30	2,17	2,06	1,96	1,88	1,80	1,74	1,68	1,63
CC100/U100/500	1x12,5	5,23	4,27	3,70	3,31	3,02	2,80	2,61	2,47	2,34	2,23	2,13	2,05	1,98	1,91	1,85
CC100/U100/500	2x12,5	5,26	4,29	3,72	3,33	3,04	2,81	2,63	2,48	2,35	2,24	2,15	2,06	1,99	1,92	1,86
NIDA GRIESTI PAŠNESOŠIE GRIESTI AR DUBULTU NESOŠO KONSTRUKCIJU NIDA C, NIDA U AR PASTIPRINOŠO JOSLU ATBILSTOŠI SINIAT TEHNOĻĪJAI																
CC50/U50/PD/500	1x12,5	4,47	3,65	3,16	2,83	2,58	2,39	2,24	2,11	2,00	1,91	1,83	1,75	1,69	1,63	1,58
CC50/U50/PD/500	2x12,5	4,55	3,72	3,22	2,88	2,63	2,43	2,28	2,15	2,04	1,94	1,86	1,79	1,72	1,66	1,61
CC75/U75/PD/500	1x12,5	5,32	4,34	3,76	3,36	3,07	2,84	2,66	2,51	2,38	2,27	2,17	2,08	2,01	1,94	1,88
CC75/U75/PD/500	2x12,5	5,32	4,35	3,76	3,37	3,07	2,84	2,66	2,51	2,38	2,27	2,17	2,09	2,01	1,94	1,88
CC100/U100/PD/500	1x12,5	5,80	4,74	4,10	3,67	3,35	3,10	2,90	2,74	2,59	2,47	2,37	2,28	2,19	2,11	1,95
CC100/U100/PD/500	2x12,5	5,85	4,77	4,14	3,70	3,38	3,12	2,93	2,76	2,62	2,50	2,39	2,29	2,21	2,13	2,00

Saskaņā ar tehnisko atzinumu ITB 1060/12/R33NK.

nida

NESOŠĀS KONSTRUKCIJAS IZKĀRTOJUMA ATLASĒS TABULAS NIDA GRIESTI
SISTĒMĀ ATTIECĪBĀ UZ PIEĻAUJAMO SLODZI

Pašnesošo griestu sistēma ar Nida UAR nesošo konstrukciju																
Pašnesošo griestu sistēmas (bez iekāršanas) Nida Griesti tips	Plāksņu kātu skaits [mm]	Pašnesošo griestu sistēmas Nida Griesti kopējais svars [kg/m ²]														
		10	15	20	25	30	35	40	45	50	55	60	65	70	75	80
		Maksimālais pašnesošo griestu platums ar virsmas slodzi, ieskaitot pašmasu [m]														
NIDA GRIESTI PAŠNESOŠIE GRIESTI AR VIENU NESOŠO KONSTRUKCIJU NIDA C, NIDA U ATBILSTOŠI SINIAT TEHNOĻĪJAI																
UAR50/U50/500	1x12,5	4,84	3,96	3,43	3,06	2,80	2,59	2,42	2,28	2,17	2,07	1,98	1,90	1,83	1,77	1,71
UAR50/U50/500	2x12,5	4,66	3,80	3,29	2,95	2,69	2,49	2,33	2,20	2,08	1,99	1,90	1,83	1,76	1,70	1,65
UAR75/U75/500	1x12,5	6,57	5,37	4,65	4,16	3,80	3,51	3,29	3,10	2,94	2,80	2,68	2,58	2,49	2,40	2,32
UAR75/U75/500	2x12,5	6,52	5,32	4,61	4,12	3,76	3,48	3,26	3,07	2,91	2,78	2,66	2,56	2,46	2,38	2,30
UAR100/U100/500	1x12,5	6,47	5,28	4,57	4,09	3,73	3,46	3,23	3,05	2,89	2,76	2,64	2,54	2,44	2,36	2,29
UAR100/U100/500	2x12,5	7,64	6,24	5,41	4,83	4,41	4,09	3,82	3,60	3,42	3,26	3,12	3,00	2,89	2,79	2,70
NIDA GRIESTI PAŠNESOŠIE GRIESTI AR VIENU NESOŠO KONSTRUKCIJU NIDA C, NIDA U AR PASTIPRINOŠO JOSLU ATBILSTOŠI SINIAT TEHNOĻĪJAI																
UAR50/U50/PD/500	1x12,5	6,10	4,99	4,31	3,86	3,52	3,26	3,05	2,88	2,73	2,60	2,49	2,39	2,31	2,23	2,16
UAR50/U50/PD/500	2x12,5	6,42	5,25	4,54	4,06	3,71	3,43	3,21	3,03	2,87	2,74	2,62	2,52	2,43	2,35	2,27
UAR75/U75/PD/500	1x12,5	6,72	5,49	4,75	4,25	3,88	3,59	3,36	3,17	3,00	2,87	2,74	2,64	2,54	2,45	2,38
UAR75/U75/PD/500	2x12,5	7,07	5,77	5,00	4,47	4,08	3,78	3,53	3,33	3,16	3,01	2,89	2,77	2,67	2,58	2,50
UAR100/U100/PD/500	1x12,5	8,35	6,82	5,90	5,28	4,82	4,46	4,18	3,94	3,73	3,56	3,41	3,28	3,16	3,05	2,95
UAR100/U100/PD/500	2x12,5	8,77	7,16	6,20	5,54	5,06	4,68	4,39	4,14	3,92	3,74	3,58	3,44	3,32	3,20	3,10
NIDA GRIESTI PAŠNESOŠIE GRIESTI AR DUBULTU NESOŠO KONSTRUKCIJU NIDA C, NIDA U ATBILSTOŠI SINIAT TEHNOĻĪJAI																
UARUAR50/U50/500	1x12,5	7,41	6,05	5,24	4,68	4,28	3,96	3,70	3,49	3,31	3,16	3,02	2,90	2,80	2,70	2,62
UARUAR50/U50/500	2x12,5	7,51	6,13	5,31	4,75	4,34	4,02	3,76	3,54	3,36	3,20	3,07	2,95	2,84	2,74	2,66
UARUAR75/U75/500	1x12,5	9,19	7,50	6,50	5,81	5,31	4,91	4,60	4,33	4,11	3,92	3,75	3,60	3,47	3,36	3,25
UARUAR75/U75/500	2x12,5	9,34	7,63	6,61	5,91	5,39	4,99	4,67	4,40	4,18	3,98	3,81	3,66	3,53	3,41	3,30
UARUAR100/U100/500	1x12,5	10,00	8,93	7,73	6,92	6,31	5,85	5,47	5,16	4,89	4,66	4,46	4,29	4,13	3,99	3,87
UARUAR100/U100/500	2x12,5	10,00	8,98	7,77	6,95	6,35	5,88	5,50	5,18	4,92	4,69	4,49	4,31	4,16	4,01	3,89
NIDA GRIESTI PAŠNESOŠIE GRIESTI AR DUBULTU NESOŠO KONSTRUKCIJU NIDA C, NIDA U AR PASTIPRINOŠO JOSLU ATBILSTOŠI SINIAT TEHNOĻĪJAI																
UARUAR50/U50/PD/500	1x12,5	9,66	7,89	6,83	6,11	5,58	5,16	4,83	4,55	4,32	4,11	3,94	3,79	3,65	3,52	3,41
UARUAR50/U50/PD/500	2x12,5	10,00	8,30	7,19	6,43	5,87	5,43	5,08	4,79	4,55	4,33	4,15	3,99	3,84	3,71	3,59
UARUAR75/U75/PD/500	1x12,5	9,96	8,13	7,04	6,30	5,75	5,33	4,98	4,70	4,46	4,25	4,07	3,91	3,77	3,64	3,52
UARUAR75/U75/PD/500	2x12,5	10,00	8,94	7,74	6,93	6,33	5,86	5,48	5,17	4,91	4,68	4,48	4,30	4,15	4,00	3,87
UARUAR100/U100/PD/500	1x12,5	10,00	8,46	7,32	6,55	5,98	5,54	5,18	4,88	4,64	4,42	4,23	4,07	3,91	3,78	3,66
UARUAR100/U100/PD/500	2x12,5	10,00	10,00	8,72	7,80	7,12	6,59	6,17	5,81	5,52	5,26	5,03	4,84	4,66	4,50	4,36

Saskaņā ar tehnisko atzinumu ITB 1060/12/R33NK.